

US00D549268S

(12) **United States Design Patent**  
**Daems et al.**

(10) **Patent No.:** **US D549,268 S**  
(45) **Date of Patent:** **\*\* Aug. 21, 2007**

- (54) **EYEWEAR**
- (75) Inventors: **Kurt Daems**, Layton, UT (US); **Brian Grigsby**, Tremonton, UT (US); **Mao-Hsiung Chuang**, Tainan (TW)
- (73) Assignee: **Wolf Peak Holdings, LLC**, Layton, UT (US)
- (\*\*) Term: **14 Years**
- (21) Appl. No.: **29/247,052**
- (22) Filed: **May 26, 2006**
- (51) **LOC (8) Cl.** ..... **16-06**
- (52) **U.S. Cl.** ..... **D16/321; D16/335; D16/326**
- (58) **Field of Classification Search** ..... D16/300-330, D16/101, 332-338; D29/109-110; D24/110.2; 351/41, 44, 51-52, 62, 158, 92, 103-111, 351/156, 61, 114-119, 121-123; 2/426-432, 2/447-449, 441, 434-437  
See application file for complete search history.

- D470,882 S 2/2003 Mage
- D470,883 S 2/2003 Teng
- D472,915 S 4/2003 Rohrbach et al.
- D474,222 S 5/2003 Chen
- D474,223 S 5/2003 Chen
- D474,224 S 5/2003 Chen
- D474,800 S 5/2003 Hou
- D475,076 S 5/2003 Hou
- D475,390 S 6/2003 Wang-Lee
- D475,391 S 6/2003 Lee
- D475,392 S 6/2003 Lee
- D475,393 S 6/2003 Lee
- D475,394 S 6/2003 Yang
- D475,731 S 6/2003 Lee
- D476,354 S 6/2003 Chen
- D477,623 S 7/2003 Thixton et al.
- D477,834 S 7/2003 Sheldon

(Continued)

*Primary Examiner*—Raphael Barkai  
(74) *Attorney, Agent, or Firm*—Brinks Hofer Gilson & Lione; Ryan L. Marshall

(57) **CLAIM**

The ornamental design for eyewear, as shown and described.

(56) **References Cited**

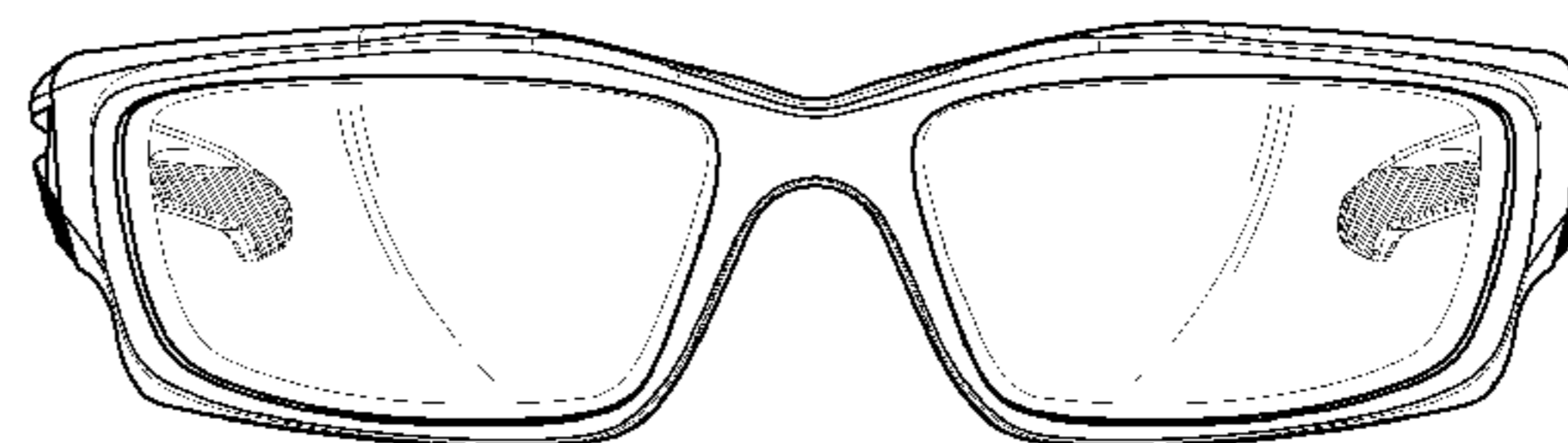
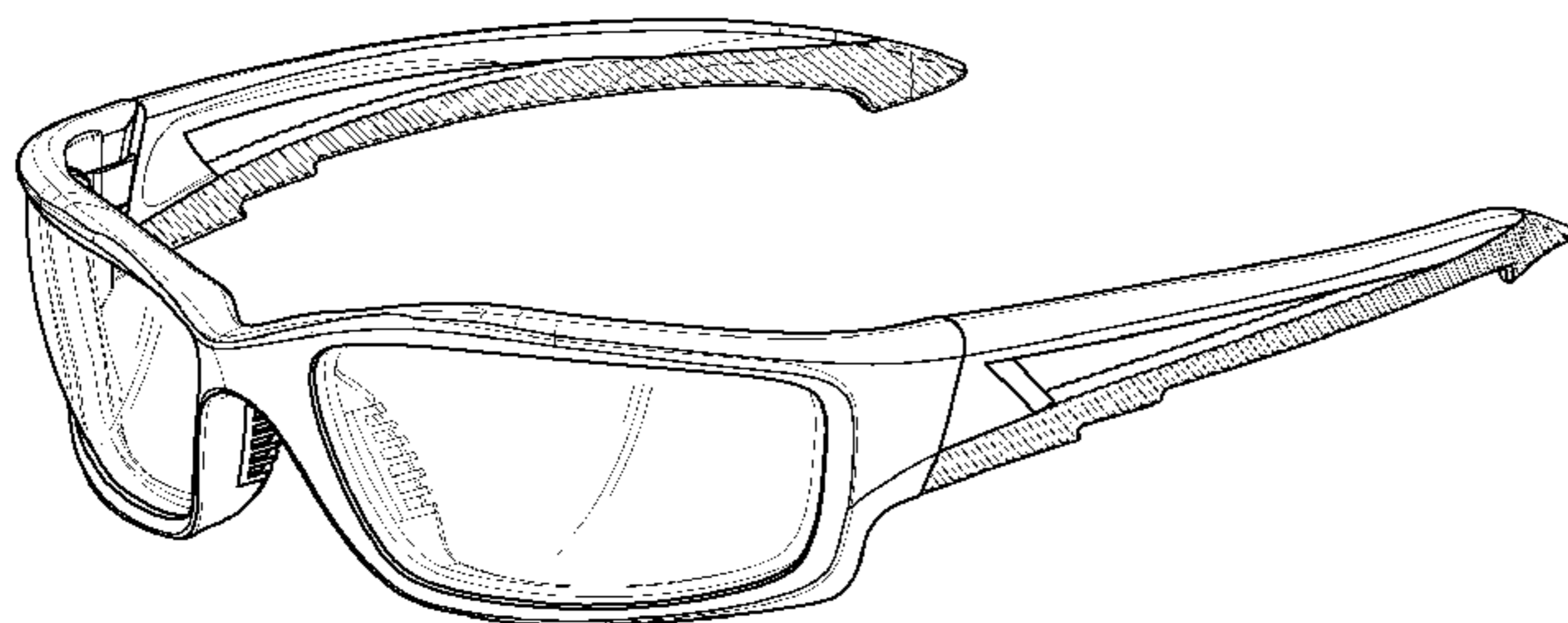
U.S. PATENT DOCUMENTS

- D366,056 S 1/1996 Wolfe
- 5,610,668 A \* 3/1997 Mage ..... 351/62
- D391,596 S \* 3/1998 Simioni ..... D16/321
- D407,428 S \* 3/1999 Jannard et al. .... D16/319
- D430,192 S \* 8/2000 Markovitz et al. .... D16/321
- D431,258 S \* 9/2000 Simioni et al. .... D16/326
- D431,586 S 10/2000 Wolfe
- D436,119 S \* 1/2001 Bolle ..... D16/335
- D439,598 S 3/2001 Wolfe
- D454,580 S 3/2002 Wolfe
- D462,081 S 8/2002 Wolfe
- D462,980 S 9/2002 Wolfe
- D469,459 S 1/2003 Moritz

**DESCRIPTION**

FIG. 1 is a perspective view of eyewear according to the present invention;  
FIG. 2 is a front elevational view thereof;  
FIG. 3 is a rear elevational view thereof;  
FIG. 4 is a right side elevational view thereof;  
FIG. 5 is a left side elevational view thereof;  
FIG. 6 is a top view thereof; and,  
FIG. 7 is a bottom view thereof.

**1 Claim, 5 Drawing Sheets**



# US D549,268 S

Page 2

## U.S. PATENT DOCUMENTS

D478,112 S	8/2003	Lee	D488,499 S	4/2004	Mage	
D478,113 S	8/2003	Kuo	D489,394 S	5/2004	Teng	
D478,114 S	8/2003	Yee	D490,458 S	5/2004	Finquel	
D478,927 S	8/2003	Teng	D491,974 S	6/2004	Teng	
D478,928 S	8/2003	Sheldon	D491,975 S	6/2004	Teng	
D478,929 S	8/2003	Baden et al.	D491,976 S	6/2004	Teng	
D479,851 S	9/2003	Mangum	D492,340 S	6/2004	Cyr	
D480,747 S	10/2003	Hsu	D492,341 S	6/2004	Banker et al.	
D481,063 S	10/2003	Lane	6,749,299 B1	6/2004	Hsu	
D481,410 S	10/2003	Lane	D494,996 S	8/2004	Hsu	
D482,717 S	11/2003	Lane et al.	D495,730 S	9/2004	Hsu et al.	
D483,392 S	12/2003	Chen	D497,628 S *	10/2004	Sheldon	D16/320
D483,393 S	12/2003	Chen	D500,781 S *	1/2005	Mage	D16/326
D483,792 S	12/2003	Egbert et al.	D502,959 S	3/2005	Hsu	
D484,173 S	12/2003	Jannard et al.	D508,068 S	8/2005	Hsu et al.	
D484,526 S	12/2003	Teng	D508,255 S	8/2005	Wu	
D485,569 S	1/2004	Hsu	D510,379 S *	10/2005	Lane	D16/321
D485,570 S	1/2004	Teng	D511,540 S	11/2005	Hsu	
D485,571 S	1/2004	Teng	D513,033 S	12/2005	Hsu	
D485,856 S	1/2004	Wolfe	D513,518 S *	1/2006	Stables	D16/321
D485,857 S	1/2004	Lee	D514,615 S *	2/2006	Mangum	D16/326
D487,284 S	3/2004	Lane	D532,438 S *	11/2006	Yang	D16/327
D487,477 S	3/2004	Lane	D535,320 S *	1/2007	Sheldon	D16/335

\* cited by examiner

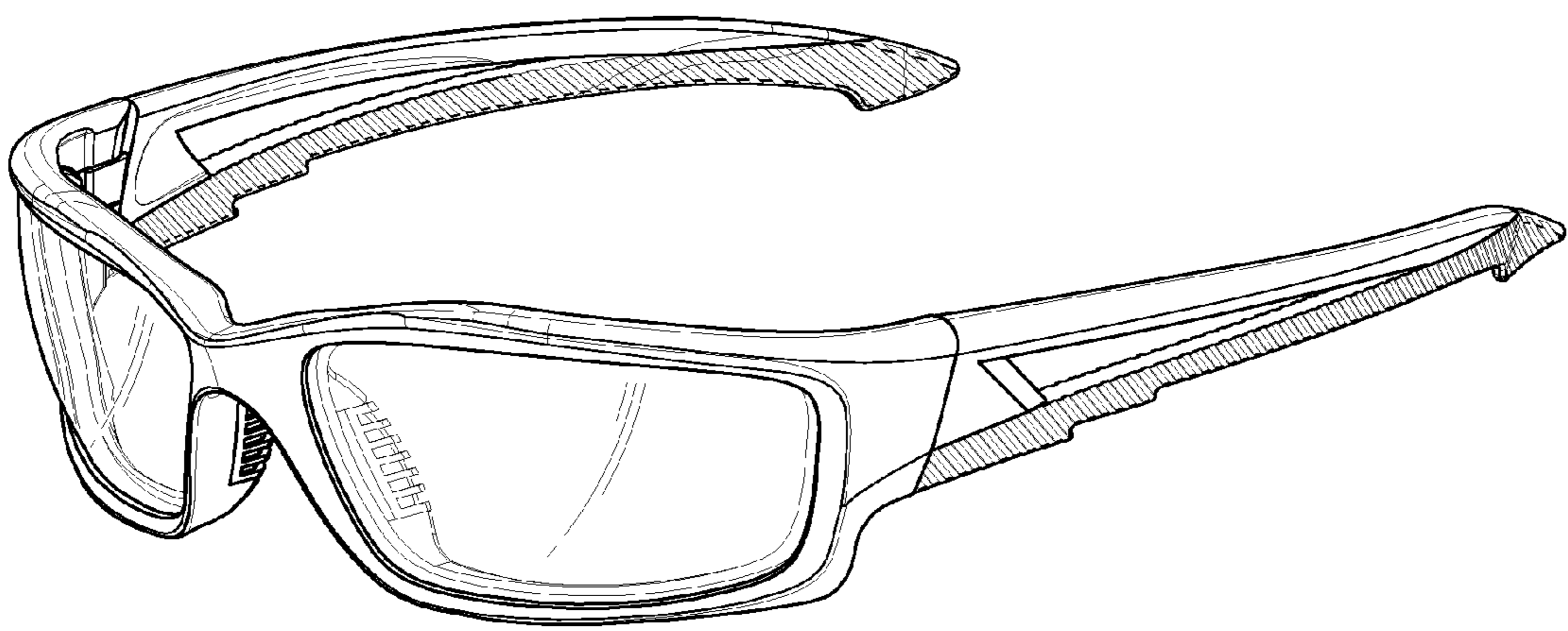


FIG. 1

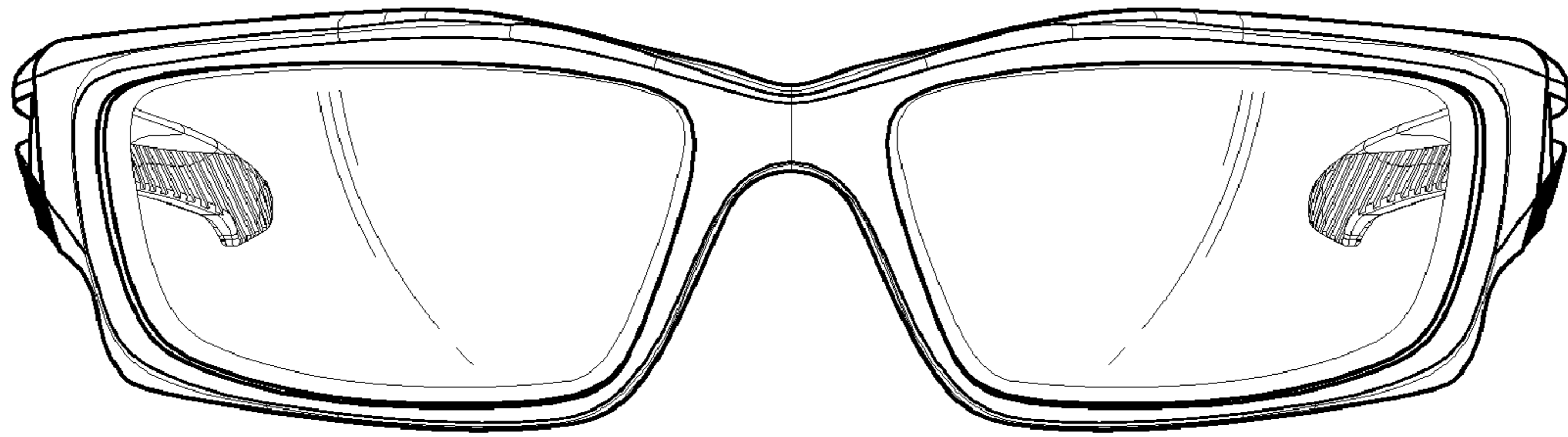


FIG. 2

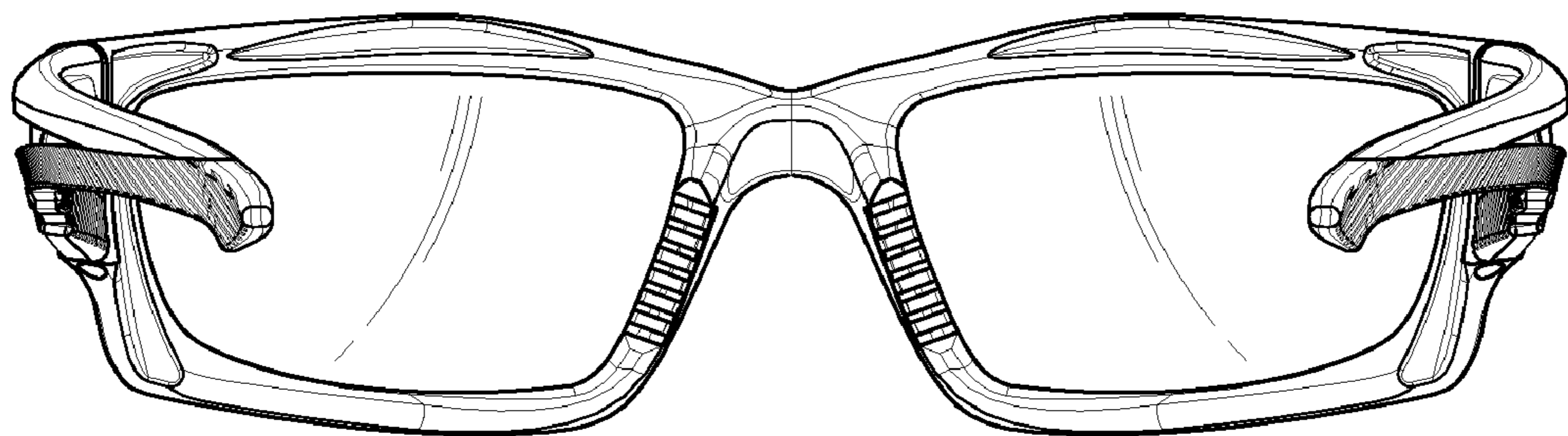


FIG. 3

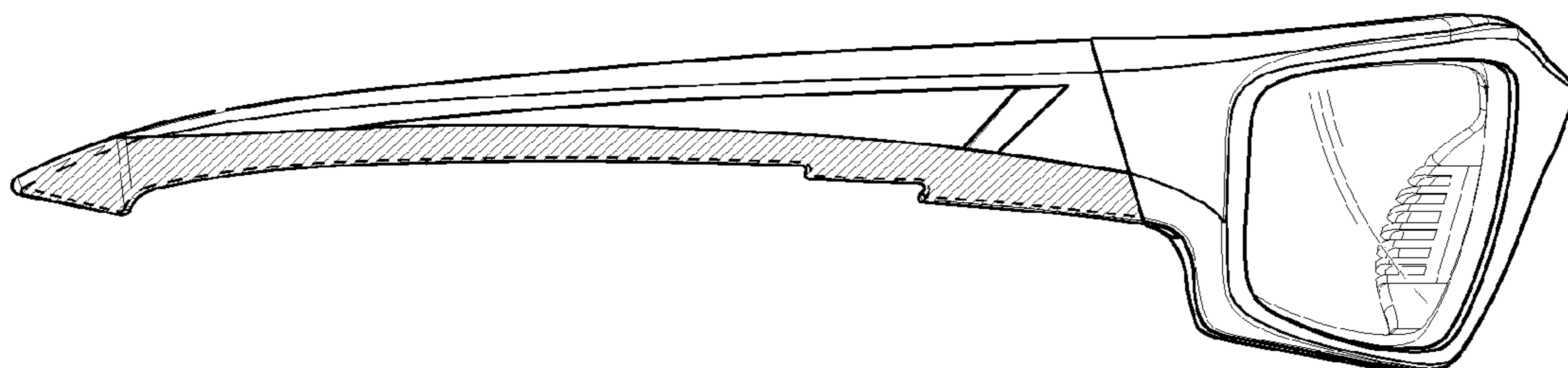


FIG. 4

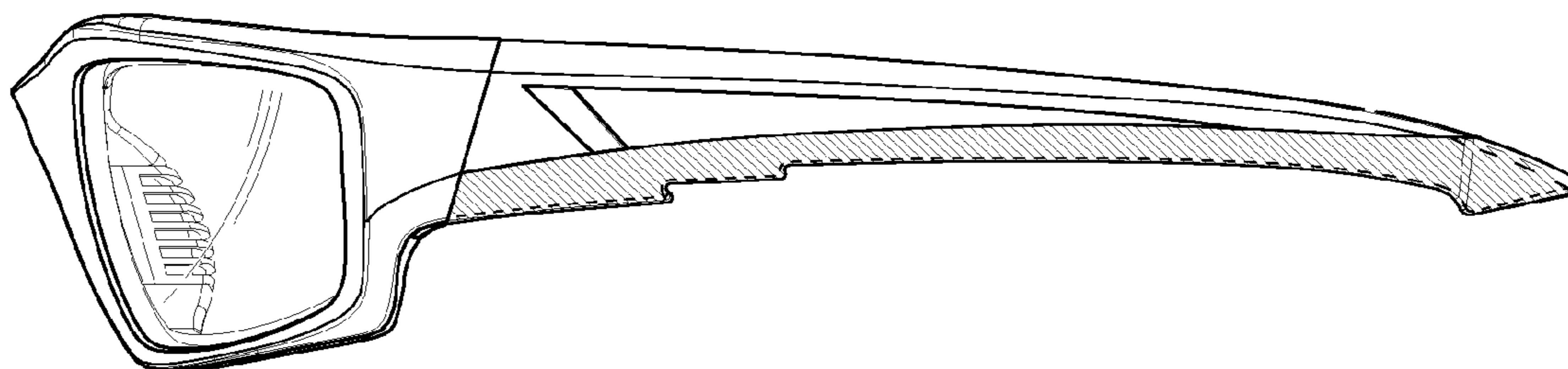


FIG. 5

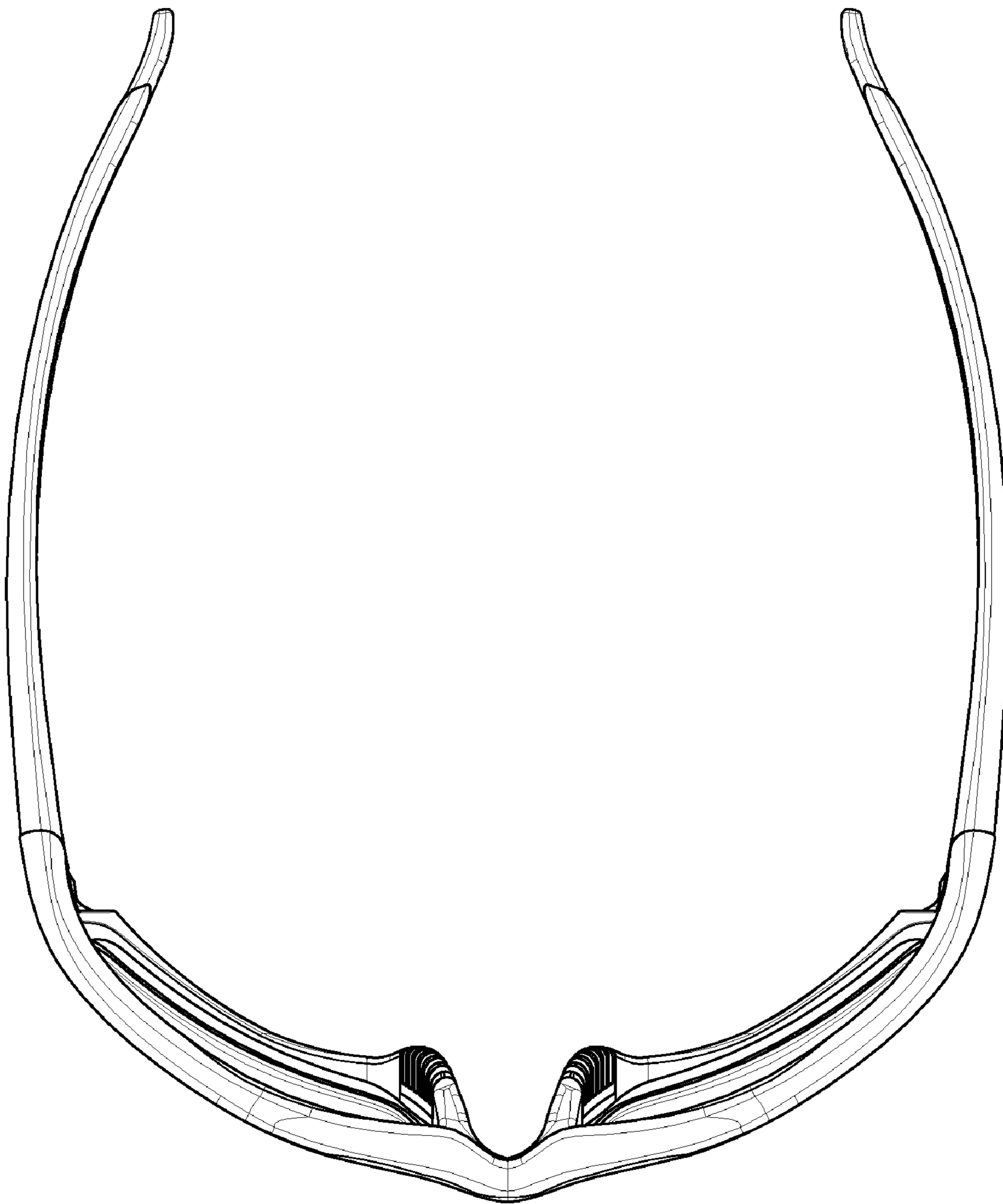


FIG. 6

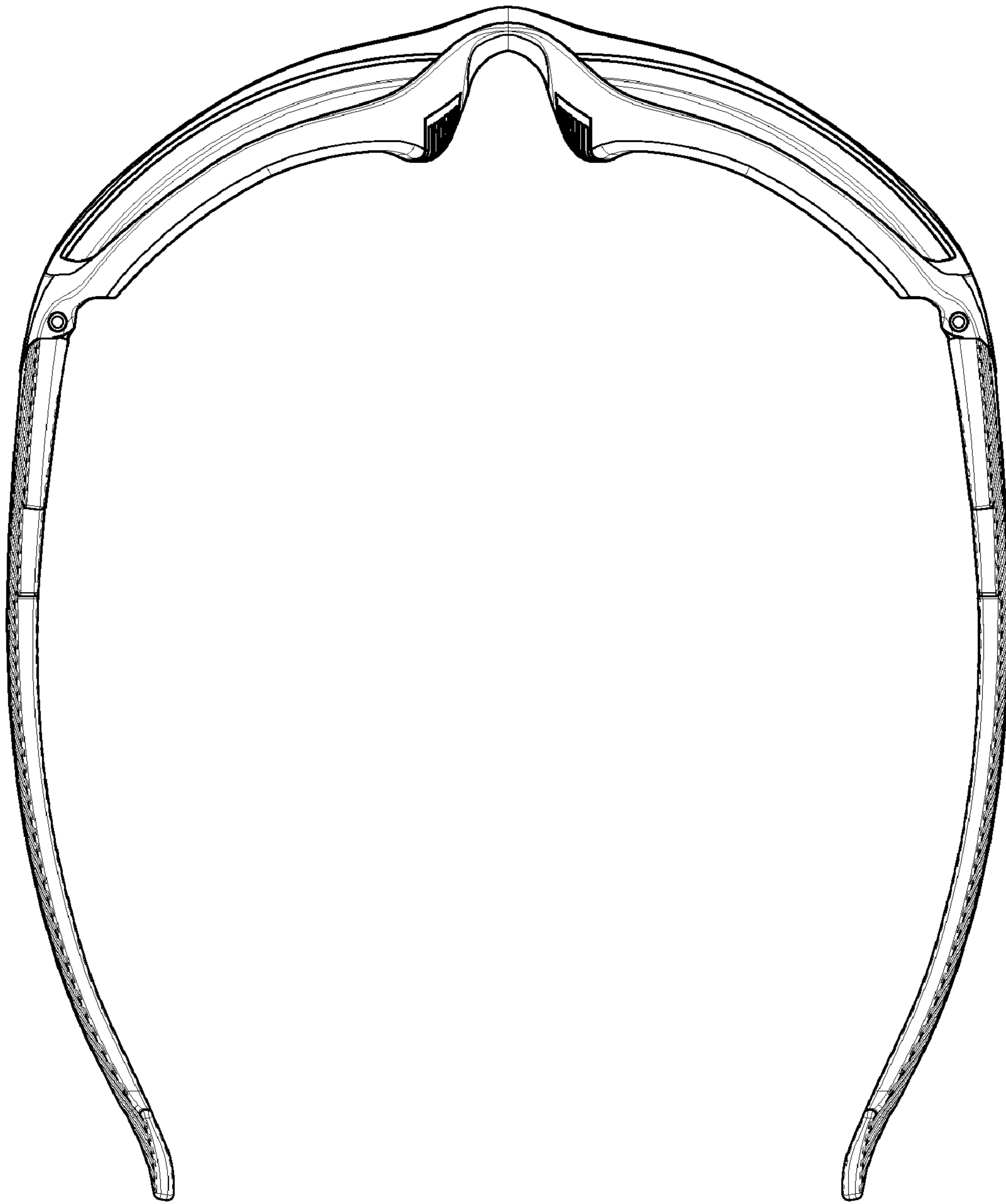


FIG. 7