



(51) International Patent Classification:

F16K 5/06 (2006.01) G01F 11/22 (2006.01)
G01F 11/02 (2006.01)

(21) International Application Number:

PCT/IB2019/056241

(22) International Filing Date:

22 July 2019 (22.07.2019)

(25) Filing Language:

Italian

(26) Publication Language:

English

(30) Priority Data:

102018000007735 01 August 2018 (01.08.2018) IT

(71) Applicant: CAMOZZI AUTOMATION S.P.A. [IT/IT];
Via Eritrea, 20/I, 25126 Brescia (IT).

(72) Inventors: GNUTTI, Gianluca; c/o Camozzi Automation
S.P.A., Via Eritrea, 20/I, 25126 Brescia (IT). DRERA, Al-
berto; c/o Camozzi Automation S.P.A., Via Eritrea, 20/I,
25126 Brescia (IT).

(74) Agent: CHIMINI, Francesco et al.; c/o Jacobacci & Part-
ners S.P.A., Piazza della Vittoria, 11, 25122 Brescia (IT).

(81) Designated States (unless otherwise indicated, for every

kind of national protection available): AE, AG, AL, AM, AO, AT, AU, AZ, BA, BB, BG, BH, BN, BR, BW, BY, BZ, CA, CH, CL, CN, CO, CR, CU, CZ, DE, DJ, DK, DM, DO, DZ, EC, EE, EG, ES, FI, GB, GD, GE, GH, GM, GT, HN, HR, HU, ID, IL, IN, IR, IS, JO, JP, KE, KG, KH, KN, KP, KR, KW, KZ, LA, LC, LK, LR, LS, LU, LY, MA, MD, ME, MG, MK, MN, MW, MX, MY, MZ, NA, NG, NI, NO, NZ, OM, PA, PE, PG, PH, PL, PT, QA, RO, RS, RU, RW, SA, SC, SD, SE, SG, SK, SL, SM, ST, SV, SY, TH, TJ, TM, TN, TR, TT, TZ, UA, UG, US, UZ, VC, VN, ZA, ZM, ZW.

(84) Designated States (unless otherwise indicated, for every

kind of regional protection available): ARIPO (BW, GH, GM, KE, LR, LS, MW, MZ, NA, RW, SD, SL, ST, SZ, TZ, UG, ZM, ZW), Eurasian (AM, AZ, BY, KG, KZ, RU, TJ, TM), European (AL, AT, BE, BG, CH, CY, CZ, DE, DK, EE, ES, FI, FR, GB, GR, HR, HU, IE, IS, IT, LT, LU, LV, MC, MK, MT, NL, NO, PL, PT, RO, RS, SE, SI, SK, SM, TR), OAPI (BF, BJ, CF, CG, CI, CM, GA, GN, GQ, GW, KM, ML, MR, NE, SN, TD, TG).

(54) Title: VALVE UNIT FOR A DOSING DEVICE OF A FLUID

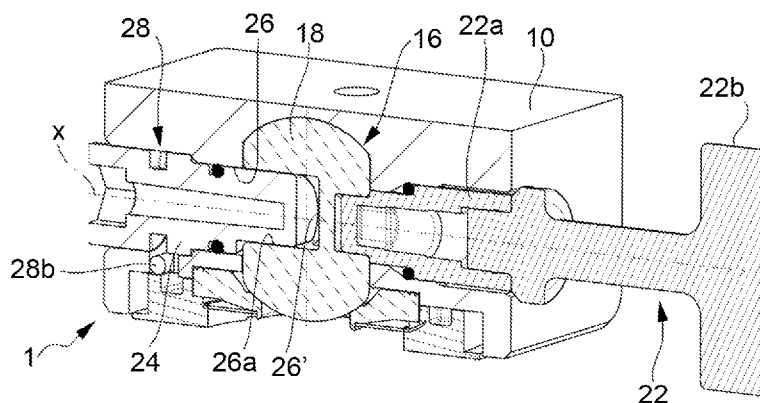


FIG. 1

(57) Abstract: A valve unit for a dosing device of a fluid, e.g. a paint, comprises a unit body wherein are made a fluid inlet passage, a fluid outlet passage, and, between said inlet passage and outlet passage, an obturator seat in which a ball obturator is housed. An obturator passage is formed in the ball obturator, the ball obturator being rotatable between an open position, wherein the obturator passage fluidically connects the inlet passage with the outlet passage, and a closed position, wherein the ball obturator prevents the passage of fluid from the inlet passage to the outlet passage. A fluid-tight intake piston slidably housed in a piston chamber which communicates fluidically with the inlet and outlet holes, the fluid-tight intake piston being integral in rotation with the ball obturator. Cam means arranged between the unit body and the intake piston are suitable to cause, following the rotation of the ball obturator from the open position to the closed position, a translation of the intake piston in the piston chamber from an advanced position to a retracted position for an intake of the residual fluid present in the obturator passage.



WO 2020/026067 A1

Declarations under Rule 4.17:

- *as to applicant's entitlement to apply for and be granted a patent (Rule 4.17(ii))*
- *of inventorship (Rule 4.17(iv))*

Published:

- *with international search report (Art. 21(3))*

"Valve unit for a dosing device of a fluid"**DESCRIPTION**

[0001] The present invention relates to a valve unit for a dosing device of a fluid, e.g. a paint.

5 [0002] Fluid dosing devices, e.g. a paint, are already known. In some embodiments, these devices comprise a pump group which draws fluid from a tank and dispenses it through a valve unit that controls the fluid dosing.

[0003] In some embodiments, the valve unit comprises,
10 according to the preamble of claim 1, a unit body in which there are formed a fluid inlet passage, a fluid outlet passage and, between said inlet passage and outlet passage, an obturator seat in which a ball shutter obturator is housed.

15 [0004] In the ball obturator, an obturator passage is formed and the ball obturator is rotatable between an open position, wherein the obturator passage fluidically connects the inlet passage with the outlet passage, and a closed position, wherein the ball obturator prevents the
20 passage of fluid from the inlet passage to the outlet passage.

[0005] Typically, when the ball obturator is in the closed position, the obturator passage connects the inlet passage with a recirculation conduit, so as to allow a
25 recirculation of the fluid present in the dosing device,

preventing, after the supply interruption, any residual fluid from drying inside the device, damaging it or otherwise blocking the passages.

[0006] One of the problems encountered in this type of device, in particular when the fluid to be dosed has a certain viscosity, such as paints, lies in the fact that, at the end of the dispensing of the fluid and in the passage from the open position to the closed position of the ball obturator, a drop is formed on the outlet end of the obturator passage which, over time, can damage the sealing element on which the ball obturator slides and which delimits the outlet passage.

[0007] The object of the present invention is to propose a valve unit for a dosing device for a fluid capable of obviating such a drawback.

[0008] Said object is achieved with a valve unit according to claim 1. The dependent claims describe preferred embodiments of the valve unit according to the invention.

[0009] The features and the advantages of the valve unit according to the invention shall be made readily apparent from the following description of preferred embodiments thereof, provided purely by way of a non-limiting example, with reference to the accompanying figures, in which:

[0010] - figure 1 is a perspective sectional view of

the valve unit according to the invention, with the ball obturator in open position;

[0011] - figure 1a is a view similar to the previous one, but with the valve unit sectioned along a section
5 plane orthogonal to that of figure 1;

[0012] - figure 1b is a section of the valve unit along the section plane of figure 1a;

[0013] - figure 2 is a perspective sectional view of the valve unit according to the invention, at the time of
10 the beginning of the intake step;

[0014] - figure 2a is a view similar to the previous one, but with the valve unit sectioned along a section plane orthogonal to that of figure 2;

[0015] - figure 2b is a section of the valve unit
15 along the section plane of figure 2a;

[0016] - figure 3 is a perspective sectional view of the valve unit according to the invention, at the end of the intake step;

[0017] - figure 3a is a view similar to the previous
20 one, but with the valve unit sectioned along a section plane orthogonal to that of figure 3;

[0018] - figure 3b is a section of the valve unit along the section plane of figure 3a;

[0019] - figure 4 is a perspective sectional view of
25 the valve unit according to the invention, with the ball

obturator in closed position;

[0020] - figure 4a is a view similar to the previous one, but with the valve unit sectioned along a section plane orthogonal to that of figure 4;

5 [0021] - figure 4b is a section of the valve unit along the section plane of figure 4a; and

[0022] - figure 5 is a perspective view of the intake piston alone.

[0023] In said drawings, reference numeral 1 indicates a
10 valve unit of a dosing device for a fluid according to the invention.

[0024] In a general embodiment, the valve unit 1 comprises a unit body 10 wherein are made an inlet passage 12 of the fluid to be dosed, a fluid outlet passage 14, and,
15 between said inlet passage 12 and outlet passage 14, an obturator seat 16.

[0025] In the example shown in the figures, the unit body 10 is shown for simplicity as a separate block. In reality, the valve unit 1 can be integrated into the
20 dosing device and therefore the unit body 10 can be a portion of the body of the dosing device. Therefore, also the inlet passage 12 and the recirculation conduit 32, which will be described below, may be terminal segments of respective conduits formed in the body of the dosing
25 device.

[0026] A ball obturator 18 is sealingly housed in the obturator seat 16.

[0027] The term "ball obturator" should not be understood in a limiting manner as referring to a perfectly spherical obturator, but it also includes axially symmetrical obturator shapes having at least one spherical surface portion that facilitates the seal of the obturator in its seat.

[0028] In other embodiments, the obturator could also have a cylindrical-shaped surface.

[0029] An obturator passage 20 is formed in the ball obturator 18. The ball obturator 18 is rotatable between an open position (figures 1-1b), in which the obturator passage 20 fluidically connects the inlet passage 12 with the outlet passage 14, and a closed position (figures 4-4b), in which the ball obturator 18 prevents the passage of fluid from the inlet passage 12 to the outlet passage 14.

[0030] The ball obturator 18 can be rotated by means of control means 22 of the rotation of the ball obturator.

[0031] According to an aspect of the invention, the valve unit 1 is provided with an intake piston 24.

[0032] The intake piston 24 is slidably and fluid-tightly housed in a piston chamber 26. The piston chamber 26 is in fluid communication with the obturator passage 20.

[0033] Moreover, the intake piston 24 interacts with the unit body 10 through cam means 28.

[0034] These cam means 28 are suitable to cause, following the rotation of the ball obturator 18 from the open position to the closed position, a translation of the intake piston 24 in the piston chamber 26 from an advanced position to a retracted position for an intake of the residual fluid present in the obturator passage 20.

[0035] In particular, in the case of formation of a drop of fluid on the distal end 20' of the obturator passage 20 open towards the outlet passage 14, the retraction of the obturator piston 24 causes a suction effect in the obturator passage 20 which causes the suction of the drop from the end 20' of the obturator passage inside the obturator passage 20 itself.

[0036] Therefore, when the rotation of the ball obturator 18 towards the closed position is completed and the distal end 20' of the obturator passage 20 is capped by the wall which delimits the obturator seat 16, there is no fluid residue on the end distal 20' which could damage the sealing element 30 on which the ball obturator 18 slides and which delimits the outlet passage 14. The intake step is completed before the distal end 20' of the obturator passage 20 comes into contact with the sealing

element 30.

[0037] In one embodiment, a recirculation conduit 32 is also formed in the unit body 10. As explained above, the recirculation conduit 32 is used to allow the
5 recirculation of the fluid which is in the inlet passage 12 and/or in the obturator passage 20 when the ball obturator 18 is in the closed position and the fluid ceases to be dispensed from the outlet passage 14.

[0038] For example, the inlet passage 12 and the
10 recirculation conduit 32 are parallel to each other.

[0039] The obturator passage 20 is therefore in fluid communication with the recirculation conduit 32 when the ball obturator 18 is in the closed position.

[0040] In one embodiment, the cam means 28 are configured
15 so that the intake piston 24 reaches the retracted position when the ball obturator 18 is rotated to an intermediate position between the open position and the closed position. Furthermore, the intake piston 24 returns to the forward position when the ball obturator
20 18 reaches the closed position.

[0041] In this way, in the return step to the advanced position, the intake piston 24 acts as a compressor to expel the drop of fluid previously sucked into the recirculation conduit 32.

25 [0042] In one embodiment, the open position and the closed

position are spaced apart by an angle of about 90° .

[0043] Moreover, the inlet and 12 outlet passages 14 and the obturator passage 20 are made in such a way that the ball obturator 18 is rotatable unidirectionally to be
5 returned to the open position and returns to the open position at each 180° rotation.

[0044] More in detail, the obturator passage 20 comprises a first radial channel 20a, a second radial channel 20b, parallel to the first, and a central chamber 20c.

10 [0045] The central chamber 20c is formed by an end section of the piston chamber 26.

[0046] The first and second radial channel 20a, 20b are substantially tangent, in diametrically opposite positions, to the central chamber 20c.

15 [0047] In other words, the radial channels 20a and 20b are not aligned with each other but extend along respective parallel and spaced channel axes.

[0048] In particular, as can be seen from figures 1b and 2b, when the ball obturator 18 is in the open position,
20 the second radial channel 20b, despite being open on the outlet passage 14, is at the maximum possible distance from the point of the obturator seat 16, and in particular of the sealing element 30, towards which it is made to rotate and by which it will be occluded. In this
25 way, the angular stroke of the ball obturator 18 is

sufficient to cause the intake piston 24 to retract and therefore an effective drop suction effect.

[0049] In one embodiment, the piston chamber 26 extends at least partially in the ball obturator 18. The central
5 chamber 20c is therefore delimited by a bottom wall 26' of the piston chamber 26 and by the end of the intake piston itself.

[0050] For example, the intake piston 24 is translatable along a piston axis X orthogonal to an obturator passage
10 plane in which the radial channels 20a, 20b lie.

[0051] In one embodiment, the cam means 28 comprise a circumferential groove 28a formed in the lateral surface of the intake piston 24 (figure 5) and configured with a cam profile suitable for realizing the translation
15 movement of the intake piston between the advanced position and the retracted position. The circumferential groove 28a is engaged by a cam pin 28b integral with the unit body 10.

[0052] In one embodiment, the intake piston 24 has an end
20 portion 242 inserted with an anti-rotation shape coupling in a corresponding end portion 26a of the piston chamber 26, for example in the portion of the piston chamber 26 formed in the ball obturator 18.

[0053] For example, both the end portion 242 of the intake
25 piston 24 and the end portion 26a of the piston chamber

26 have a substantially cylindrical shape with a flattened lateral portion.

[0054] In the lateral wall of the intake piston 24 there is also formed an annular seat 244 in which an O-ring 246 is
5 fitted for the sealed sliding of the intake piston in the piston chamber 26.

[0055] In one embodiment, the control means 22 comprise a rotation shaft 22a fitted in the ball obturator 18 coaxially, and on the opposite side with respect to the
10 intake piston 24.

[0056] The rotation shaft 22a can be driven to rotate by an electric motor, of which only the shaft 22b is shown in the figures.

[0057] The operation of the valve unit will now be
15 described, with reference to the example shown in the drawings.

[0058] Figures 1-1b represent the valve unit 1 in the open configuration. In this configuration, the ball obturator 18 is positioned so that the obturator passage 20 places
20 the inlet passage 12 in fluid communication with the outlet passage 14. In particular, in figure 1b it can be seen that the first radial channel 20a opens into the inlet passage 12, but in the vicinity of the wall that delimits this passage in the direction of rotation of the
25 ball obturator 18, which in the example shown rotates in

clockwise direction.

[0059] On the contrary, the second radial channel 20b is open on the outlet passage 14, but at the maximum distance with respect to the edge which defines the outlet passage 14 in the direction of rotation of the ball obturator 18.

[0060] Figures 2-2b show the valve unit 1 at the beginning of the intake step. At this moment, the ball obturator 18 has begun its rotation towards the closed position and the intake piston 24, thanks to the cam means 28, has started its stroke towards the retracted position. The suction effect is thus generated in the obturator passage 20. It is noted, in figure 2b, that the first radial channel 20a has just been capped by the unit body 10, while the second radial channel 20b is open almost in a central position of the outlet passage 14.

[0061] Figures 3-3b show the valve unit 1 at the end of the intake step. At this moment, the ball obturator 18 has, with respect to the initial opening position, made a rotation of an angle of about 45°, while the intake piston 24 has reached the retracted position completing the intake. It should be noted, in figure 3b, that the first radial channel 20a is still capped by the unit body 10, despite being in proximity to the recirculation conduit 32, while the second radial channel 20b, now

devoid of fluid residues since they have been completely aspirated, has just been occluded by the sealing element 30.

[0062] Figures 4-4b show the valve unit 1 in the closed
5 position. In this position, the ball obturator 18 has made an angle of 90° with respect to the open position and the intake piston 24 has returned to an advanced position.

[0063] The first radial channel 20a is now open in the
10 recirculation conduit 32, while the second radial channel 20b is open on the inlet passage 12. In this way, it is possible to carry out the recirculation of the fluid possibly present in the inlet passage 12 and in the obturator passage 20.

[0064] It should be noted that the translation of the
15 intake piston 24 from the retracted position to the advanced position causes a compression effect in the obturator passage, open on the recirculation conduit 32, which helps to expel the drop sucked into the
20 recirculation conduit 32.

[0065] In one embodiment, from the closed position the ball obturator 18 can be controlled to rotate by an angle of 90° , still in the same direction, to return to the open valve starting position.

[0066] In one embodiment, the cam means are configured such
25

that, in the rotation from the closed position to the initial opening position, the intake piston rotates without moving.

[0067] A man skilled in the art may make several changes, 5 adjustments and replacements of elements with other functionally equivalent ones to the embodiments of the valve unit according to the invention in order to meet incidental needs, without departing from the scope of the following claims. Each of the features described as 10 belonging to a possible embodiment can be obtained independently of the other embodiments described.

Claims

1. Valve unit for a dosing device of a fluid, e.g. a paint, comprising:
- a unit body wherein are made a fluid inlet passage, a fluid outlet passage, and, between said inlet passage and outlet passage, an obturator seat;
 - a ball obturator housed in the obturator seat, an obturator passage being formed in the ball obturator, the ball obturator being rotatable between an open position, wherein the obturator passage fluidically connects the inlet passage with the outlet passage, and a closed position, wherein the ball obturator prevents the passage of fluid from the inlet passage to the outlet passage;
 - control means for controlling the rotation of the ball obturator;
 - a fluid-tight intake piston slidably housed in a piston chamber which communicates fluidically with the inlet and outlet holes, the fluid-tight intake piston being integral in rotation with the ball obturator;
 - cam means between the unit body and the intake piston suitable to cause, following the rotation of the ball obturator from the open position to the closed position, a translation of the intake piston in the piston chamber from an advanced position to a retracted position for an intake of the residual fluid present in

the obturator passage.

2. Valve unit according to claim 1, wherein a recirculation conduit is made in the unit body, the obturator passage being in fluid communication with said
5 recirculation conduit when the ball obturator is in the closed position.

3. Valve unit according to claim 2, wherein the cam means are configured so that the intake piston reaches the retracted position when the ball obturator is rotated
10 to an intermediate position between the open and the closed position and returns to the forward position when the ball obturator reaches the closed position.

4. Valve units according to any one of the preceding claims, wherein the open position and the closed position
15 are spaced by an angle of 90° .

5. Valve unit according to any one of the preceding claims, wherein the obturator passage comprises a first radial channel, a second radial channel parallel to the first, and a central chamber formed on an end section of
20 the piston chamber, the first and the second radial channel being substantially tangent, in diametrically opposite positions, to the central chamber.

6. Valve unit according to the preceding claim, wherein the piston chamber extends at least partially into the
25 ball obturator, the intake piston being translatable

along a piston axis orthogonal to an obturator passage plane wherein lie the first and second radial portion of the obturator passage.

7. Valve unit according to any one of claims 4-6,
5 wherein the inlet and outlet passages and the obturator passage are made in such a way that the ball obturator is rotatable unidirectionally to be returned to the open position and returns to the open position at each 180° rotation.

10 8. Valve unit according to any one of the preceding claims, wherein the cam means comprise a circumferential groove made in the side surface of the intake piston and configured with a cam profile suitable to achieve the translation movement of the intake piston between the
15 advanced and retracted position and a cam pin integral with the unit body and engaging the circumferential groove.

9. Valve unit according to any one of the preceding claims, wherein the intake piston has a portion of the
20 end inserted with anti-rotation shape coupling in a corresponding end portion of the piston chamber.

10. Valve unit according to any one of the preceding claims, wherein the control means comprise a rotation shaft inserted in the ball obturator coaxially to the
25 intake piston.

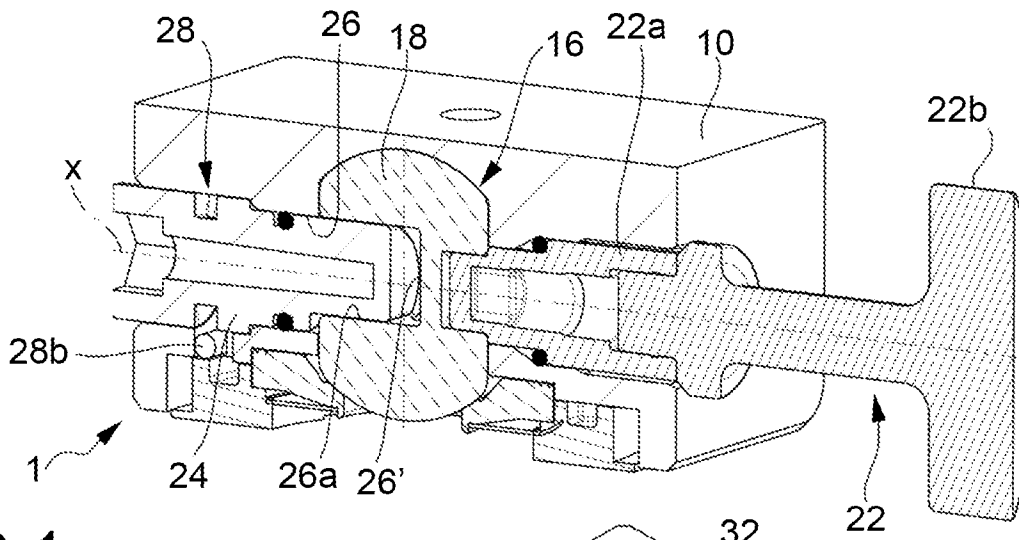


FIG. 1

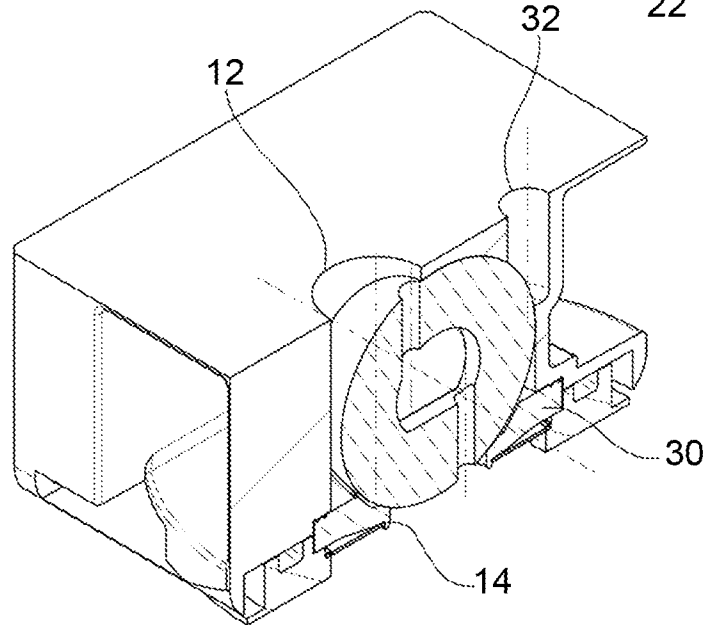


FIG. 1a

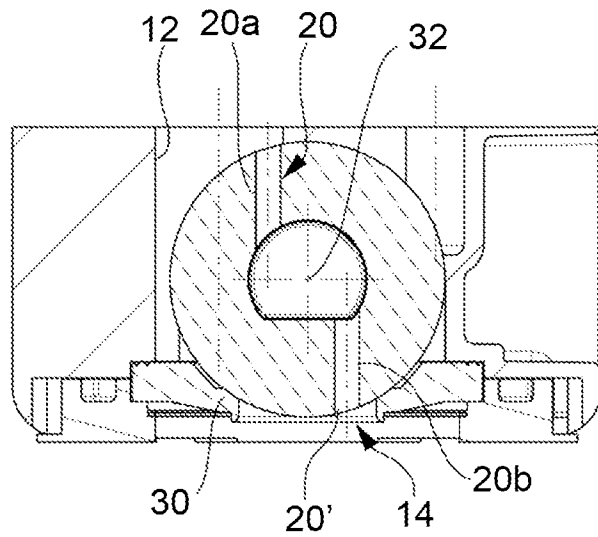


FIG. 1b

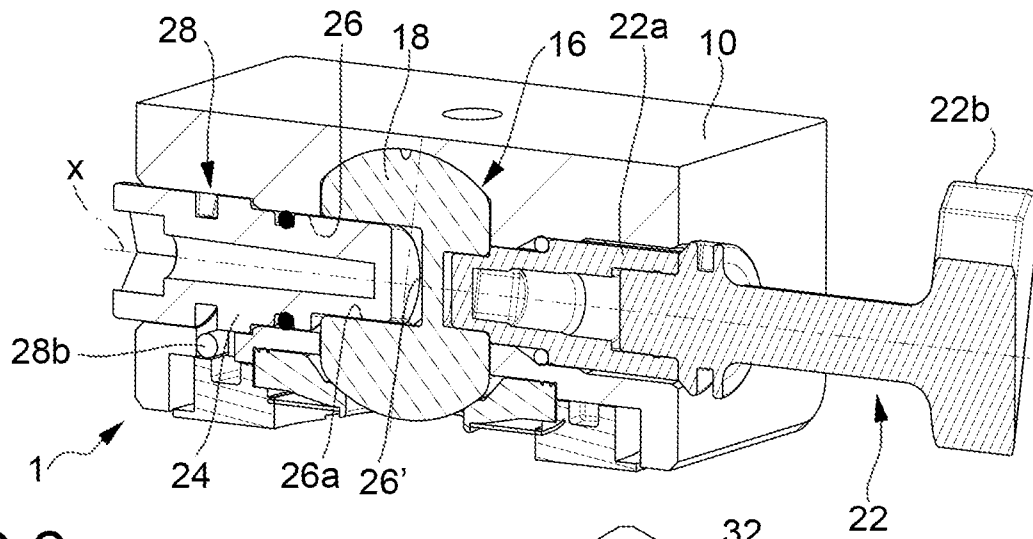


FIG. 2

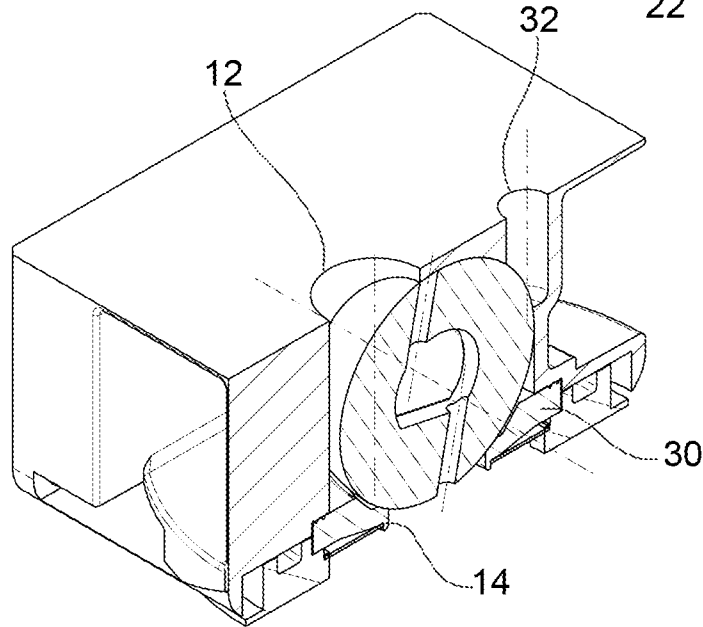


FIG. 2a

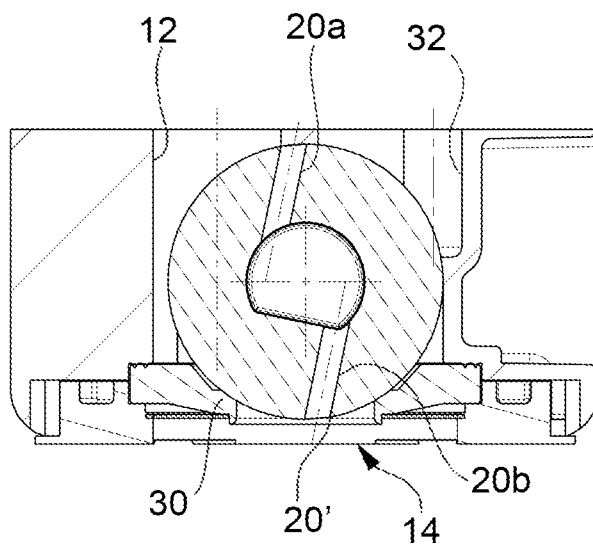


FIG. 2b

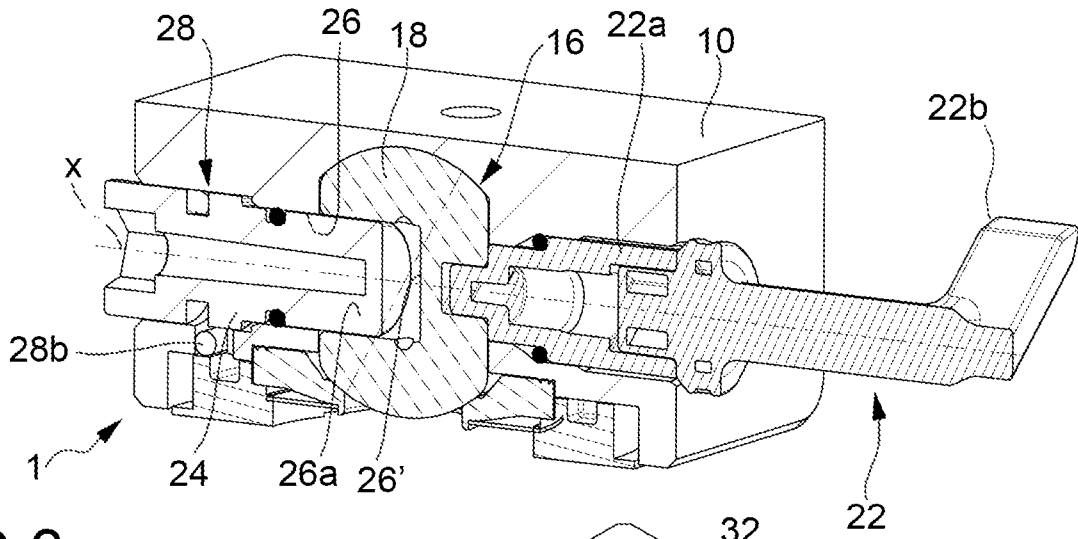


FIG. 3

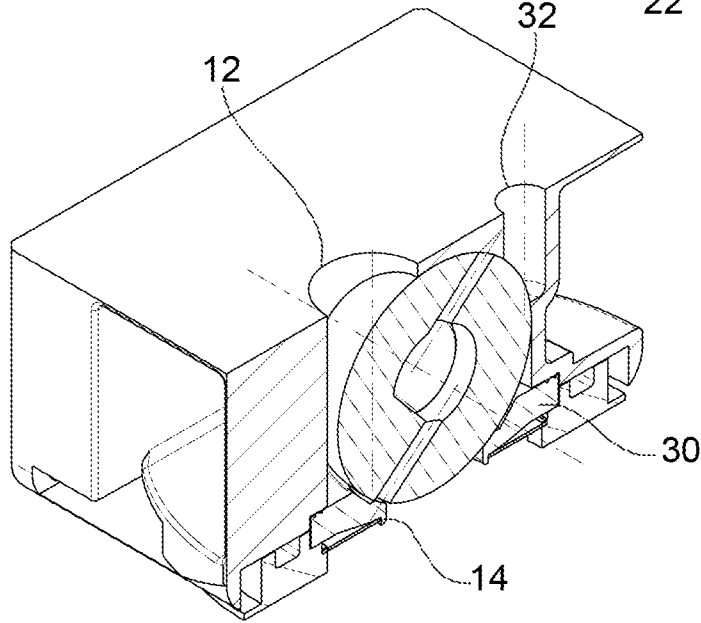


FIG. 3a

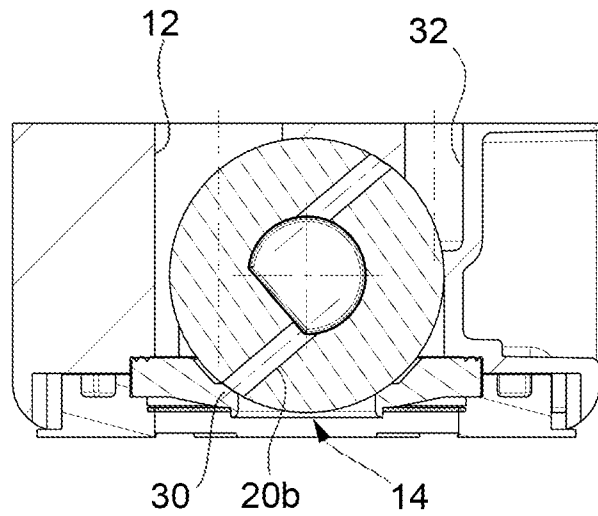


FIG. 3b

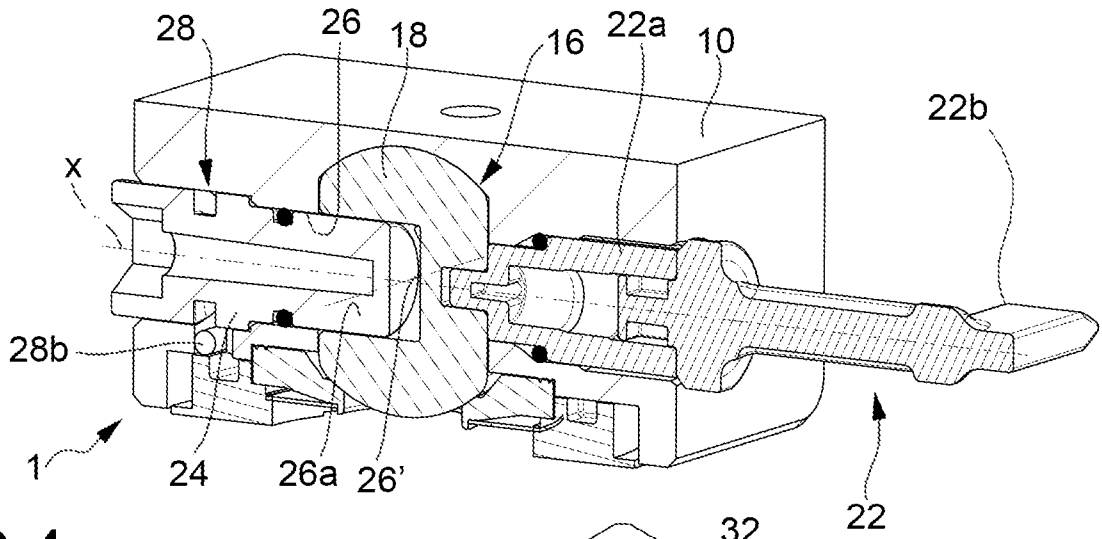


FIG. 4

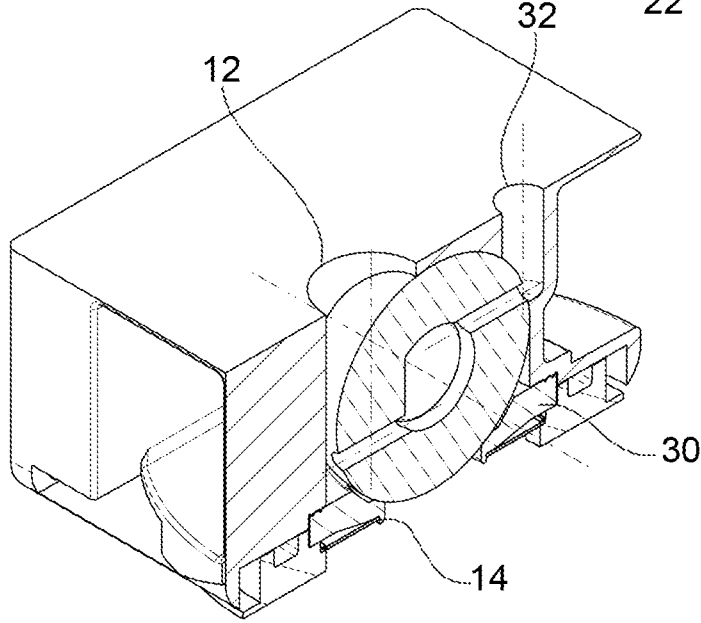


FIG. 4a

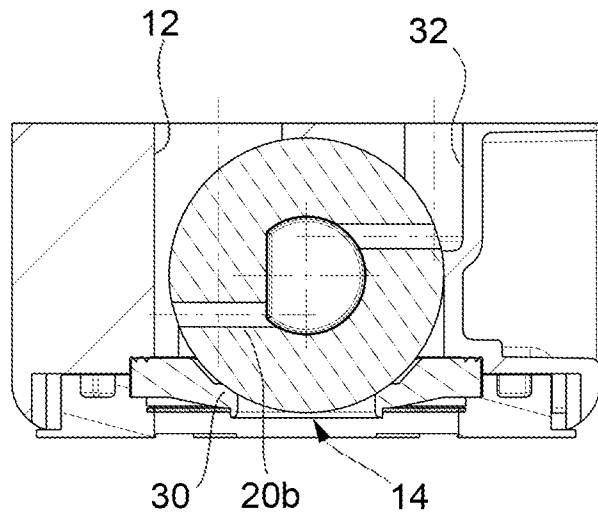


FIG. 4b

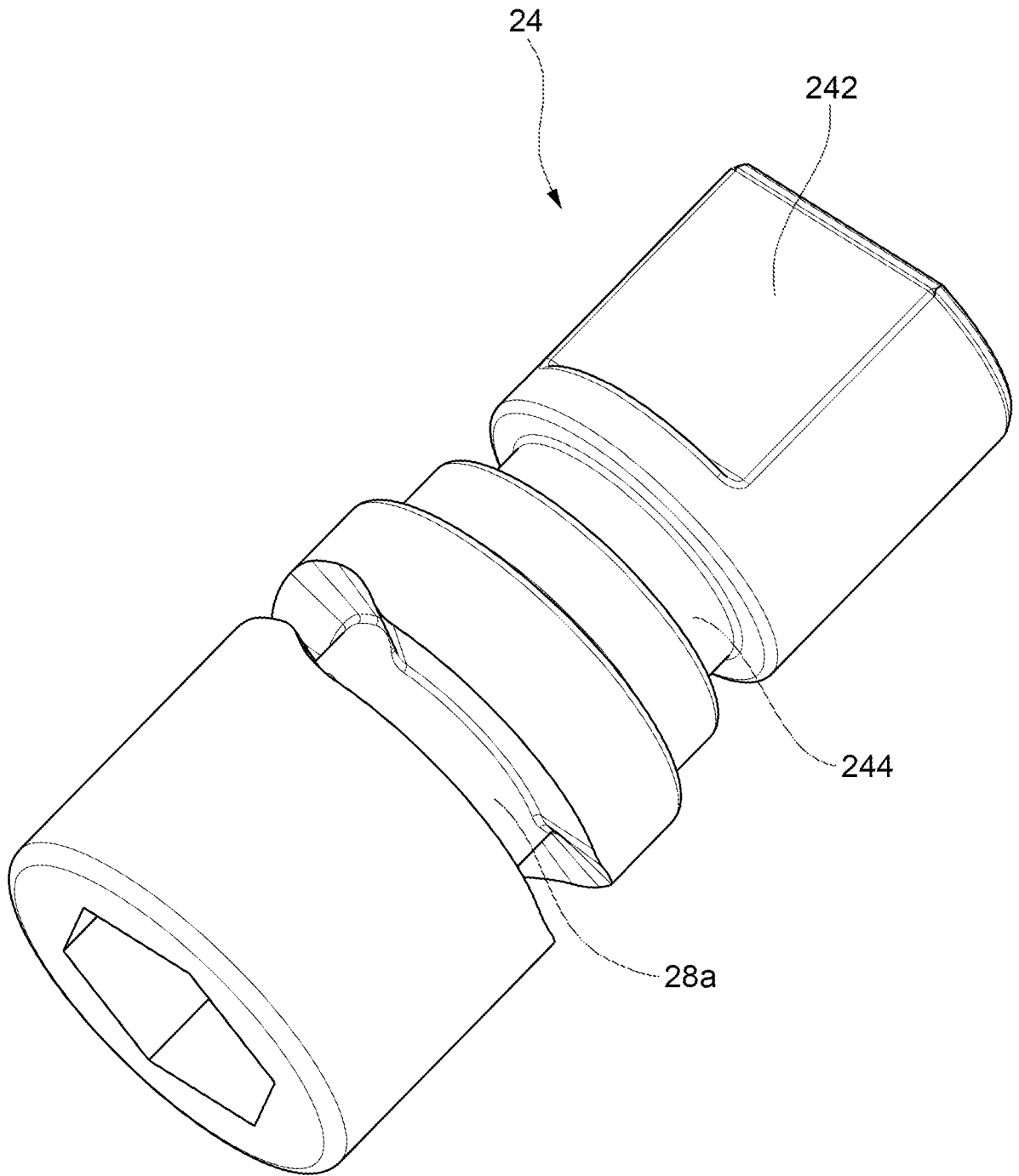


FIG.5

INTERNATIONAL SEARCH REPORT

International application No
PCT/IB2019/056241

A. CLASSIFICATION OF SUBJECT MATTER
INV. F16K5/06 G01F11/02 G01F11/22
ADD.
According to International Patent Classification (IPC) or to both national classification and IPC

B. FIELDS SEARCHED
Minimum documentation searched (classification system followed by classification symbols)
F16K G01F B08B

Documentation searched other than minimum documentation to the extent that such documents are included in the fields searched

Electronic data base consulted during the international search (name of data base and, where practicable, search terms used)
EPO-Internal, WPI Data

C. DOCUMENTS CONSIDERED TO BE RELEVANT

Category*	Citation of document, with indication, where appropriate, of the relevant passages	Relevant to claim No.
A	US 5 113 895 A (LE DEVEHAT EUGENE [FR]) 19 May 1992 (1992-05-19) column 1, line 42 - line 55; figures 1,2,5 column 4, line 42 - line 44 -----	1-10
A	EP 0 646 776 A1 (KELLER WILHELM A [CH]) 5 April 1995 (1995-04-05) the whole document -----	1-10
A	EP 0 825 422 A1 (KELLER WILHELM A [CH]) 25 February 1998 (1998-02-25) the whole document -----	1-10

Further documents are listed in the continuation of Box C.

See patent family annex.

* Special categories of cited documents :

- "A" document defining the general state of the art which is not considered to be of particular relevance
- "E" earlier application or patent but published on or after the international filing date
- "L" document which may throw doubts on priority claim(s) or which is cited to establish the publication date of another citation or other special reason (as specified)
- "O" document referring to an oral disclosure, use, exhibition or other means
- "P" document published prior to the international filing date but later than the priority date claimed

- "T" later document published after the international filing date or priority date and not in conflict with the application but cited to understand the principle or theory underlying the invention
- "X" document of particular relevance; the claimed invention cannot be considered novel or cannot be considered to involve an inventive step when the document is taken alone
- "Y" document of particular relevance; the claimed invention cannot be considered to involve an inventive step when the document is combined with one or more other such documents, such combination being obvious to a person skilled in the art
- "&" document member of the same patent family

Date of the actual completion of the international search 3 September 2019	Date of mailing of the international search report 12/09/2019
---	--

Name and mailing address of the ISA/ European Patent Office, P.B. 5818 Patentlaan 2 NL - 2280 HV Rijswijk Tel. (+31-70) 340-2040, Fax: (+31-70) 340-3016	Authorized officer Prelovac, Jovanka
--	---

INTERNATIONAL SEARCH REPORT

Information on patent family members

International application No

PCT/IB2019/056241

Patent document cited in search report	Publication date	Patent family member(s)	Publication date
US 5113895	A	19-05-1992	AU 627511 B2 27-08-1992
			CA 2000882 A1 20-06-1990
			DE 68905167 D1 08-04-1993
			DE 68905167 T3 11-02-1999
			EP 0375533 A1 27-06-1990
			ES 2038840 T3 01-08-1993
			FR 2640716 A1 22-06-1990
			GR 3007499 T3 30-07-1993
			JP H0657349 B2 03-08-1994
			JP H02261585 A 24-10-1990
			KR 900010277 A 07-07-1990
			NO 172606 B 03-05-1993
			US 5113895 A 19-05-1992

EP 0646776	A1	05-04-1995	CA 2133375 A1 02-04-1995
			DE 69326242 D1 07-10-1999
			DE 69326242 T2 05-01-2000
			EP 0646776 A1 05-04-1995
			ES 2137243 T3 16-12-1999
			JP H07159216 A 23-06-1995
			KR 950012040 A 16-05-1995
			TW 270974 B 21-02-1996
			US 5547110 A 20-08-1996

EP 0825422	A1	25-02-1998	EP 0825422 A1 25-02-1998
			US 5850946 A 22-12-1998
			US 6059148 A 09-05-2000
