

(19) World Intellectual Property Organization  
International Bureau



(43) International Publication Date  
12 June 2008 (12.06.2008)

PCT

(10) International Publication Number  
WO 2008/070233 A3

(51) International Patent Classification:  
A61B 17/56 (2006.01)

(21) International Application Number:  
PCT/US2007/077497

(22) International Filing Date:  
4 September 2007 (04.09.2007)

(25) Filing Language: English

(26) Publication Language: English

(30) Priority Data:  
11/567,380 6 December 2006 (06.12.2006) US

(71) Applicant: CUSTOM SPINE, INC. [US/US]; 1140 Parsippany Blvd., Suite 201, Parsippany, NJ 07054 (US).

(72) Inventors: MARKWORTH, Aaron, D.; 275 Saddle River Road, Saddle Brook, NJ 07663 (US). ABDEL-GANY, Mahmoud, F.; 40 Fleetwood Drive, Rockaway, NJ 07866 (US).

(74) Agent: RAHMAN, Mohammad S.; 2568-A Riva Road, Suite 304, Annapolis, MD 21401 (US).

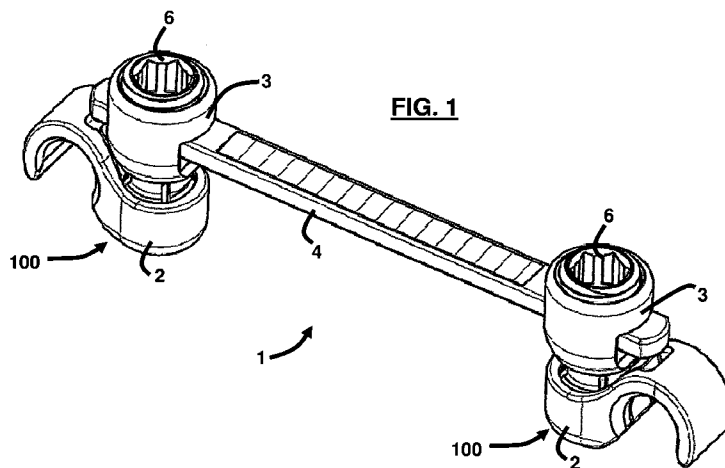
(81) Designated States (unless otherwise indicated, for every kind of national protection available): AE, AG, AL, AM, AT, AU, AZ, BA, BB, BG, BH, BR, BW, BY, BZ, CA, CH, CN, CO, CR, CU, CZ, DE, DK, DM, DO, DZ, EC, EE, EG, ES, FI, GB, GD, GE, GH, GM, GT, HN, HR, HU, ID, IL, IN, IS, JP, KE, KG, KM, KN, KP, KR, KZ, LA, LC, LK, LR, LS, LT, LU, LY, MA, MD, ME, MG, MK, MN, MW, MX, MY, MZ, NA, NG, NI, NO, NZ, OM, PG, PH, PL, PT, RO, RS, RU, SC, SD, SE, SG, SK, SL, SM, SV, SY, TJ, TM, TN, TR, TT, TZ, UA, UG, UZ, VC, VN, ZA, ZM, ZW.

(84) Designated States (unless otherwise indicated, for every kind of regional protection available): ARIPO (BW, GH, GM, KE, LS, MW, MZ, NA, SD, SL, SZ, TZ, UG, ZM, ZW), Eurasian (AM, AZ, BY, KG, KZ, MD, RU, TJ, TM), European (AT, BE, BG, CH, CY, CZ, DE, DK, EE, ES, FI, FR, GB, GR, HU, IE, IS, IT, LT, LU, LV, MC, MT, NL, PL, PT, RO, SE, SI, SK, TR), OAPI (BF, BJ, CF, CG, CI, CM, GA, GN, GQ, GW, ML, MR, NE, SN, TD, TG).

Published:  
— with international search report

(88) Date of publication of the international search report:  
21 August 2008

(54) Title: SPINAL CROSS-CONNECTOR



(57) Abstract: A cross-connector assembly construct and a method of locking comprises a flexible clip contacting a longitudinal member; a housing component contacting the flexible clip, wherein the housing component comprises a conical ramp towards a bottom end of the housing component; a locking mechanism contacting the housing component and adapted to engage the flexible clip; and a connecting member contacting the housing component. The flexible clip comprises a flexible bias member adapted to retain the longitudinal member. The flexible clip comprises a non-symmetrical socket portion; and a clip portion attached to the non-symmetrical socket portion, the clip portion being adapted to retain the longitudinal member. The locking mechanism comprises a camming pin adapted to be housed within the housing component and engage the flexible clip causing the longitudinal member to become affixed to the flexible clip; and a blocker mechanism operatively connected to the housing component and the connecting member.



WO 2008/070233 A3

## INTERNATIONAL SEARCH REPORT

International application No.

PCT/US2007/077497

## A. CLASSIFICATION OF SUBJECT MATTER

IPC(8) - A61B 17/56 (2008.01)

USPC - 606/86

According to International Patent Classification (IPC) or to both national classification and IPC

## B. FIELDS SEARCHED

Minimum documentation searched (classification system followed by classification symbols)

IPC(8) - A61B 17/56 (2008.01)

USPC - 606/86

Documentation searched other than minimum documentation to the extent that such documents are included in the fields searched

Electronic data base consulted during the international search (name of data base and, where practicable, search terms used)

Patbase, Google Scholar

## C. DOCUMENTS CONSIDERED TO BE RELEVANT

Category*	Citation of document, with indication, where appropriate, of the relevant passages	Relevant to claim No.
X ---	US 5,989,250 A (WAGNER et al) 23 November 1999 (23.11.1999) entire document	1-3, 8 ---
Y		2-7, 9-20
Y	US 5,100,420 A (GREEN et al) 31 March 1992 (31.03.1992) entire document	2-7, 9-20
Y	US 2005/0070918 A1 (ZWIRNMANN et al) 31 March 2005 (31.03.2005) entire document	7, 14, 18

 Further documents are listed in the continuation of Box C.

\* Special categories of cited documents:

"A" document defining the general state of the art which is not considered to be of particular relevance

"E" earlier application or patent but published on or after the international filing date

"L" document which may throw doubts on priority claim(s) or which is cited to establish the publication date of another citation or other special reason (as specified)

"O" document referring to an oral disclosure, use, exhibition or other means

"P" document published prior to the international filing date but later than the priority date claimed

"T" later document published after the international filing date or priority date and not in conflict with the application but cited to understand the principle or theory underlying the invention

"X" document of particular relevance; the claimed invention cannot be considered novel or cannot be considered to involve an inventive step when the document is taken alone

"Y" document of particular relevance; the claimed invention cannot be considered to involve an inventive step when the document is combined with one or more other such documents, such combination being obvious to a person skilled in the art

"&amp;" document member of the same patent family

Date of the actual completion of the international search

15 January 2008

Date of mailing of the international search report

**28 MAR 2008**

Name and mailing address of the ISA/US  
 Mail Stop PCT, Attn: ISA/US, Commissioner for Patents  
 P.O. Box 1450, Alexandria, Virginia 22313-1450  
 Facsimile No. 571-273-3201

Authorized officer:  
 Blaine R. Copenheaver

PCT Helpdesk: 571-272-4300  
 PCT OSP: 571-272-7774