

(19) World Intellectual Property Organization
International Bureau



(10) International Publication Number

WO 2012/003020 A3

(43) International Publication Date

5 January 2012 (05.01.2012)

PCT

- (51) International Patent Classification: F41A 9/69 (2006.01) F41A 9/70 (2006.01)
- (21) International Application Number: PCT/US201 1/03005 1
- (22) International Filing Date: 25 March 201 1 (25.03.201 1)
- (25) Filing Language: English
- (26) Publication Language: English
- (30) Priority Data: 61/3 17,386 25 March 2010 (25.03.2010) US
- (71) Applicant (for all designated States except US): ARMWEST, LLC [US/US]; 955 W. Rosser Street, Prescott, AZ 86305 (US).
- (72) Inventor; and
- (75) Inventor/Applicant (for US only): SULLIVAN, Leroy, James [US/US]; 955 West Rosser Street, Prescott, AZ 86305 (US).
- (74) Agent: CARTE, Norman, E.; Haynes and Boone, LLP, 2323 Victory Avenue, Suite 700, Dallas, TX 75219 (US).
- (81) Designated States (unless otherwise indicated, for every kind of national protection available): AE, AG, AL, AM, AO, AT, AU, AZ, BA, BB, BG, BH, BR, BW, BY, BZ, CA, CH, CL, CN, CO, CR, CU, CZ, DE, DK, DM, DO, DZ, EC, EE, EG, ES, FI, GB, GD, GE, GH, GM, GT, HN, HR, HU, ID, IL, IN, IS, JP, KE, KG, KM, KN, KP, KR, KZ, LA, LC, LK, LR, LS, LT, LU, LY, MA, MD, ME, MG, MK, MN, MW, MX, MY, MZ, NA, NG, NI, NO, NZ, OM, PE, PG, PH, PL, PT, RO, RS, RU, SC, SD, SE, SG, SK, SL, SM, ST, SV, SY, TH, TJ, TM, TN, TR, TT, TZ, UA, UG, US, UZ, VC, VN, ZA, ZM, ZW.
- (84) Designated States (unless otherwise indicated, for every kind of regional protection available): ARIPO (BW, GH, GM, KE, LR, LS, MW, MZ, NA, SD, SL, SZ, TZ, UG, ZM, ZW), Eurasian (AM, AZ, BY, KG, KZ, MD, RU, TJ, TM), European (AL, AT, BE, BG, CH, CY, CZ, DE, DK, EE, ES, FI, FR, GB, GR, HR, HU, IE, IS, IT, LT, LU, LV, MC, MK, MT, NL, NO, PL, PT, RO, RS, SE, SI, SK,

[Continued on nextpage]

(54) Title: HIGH CAPACITY MAGAZINE

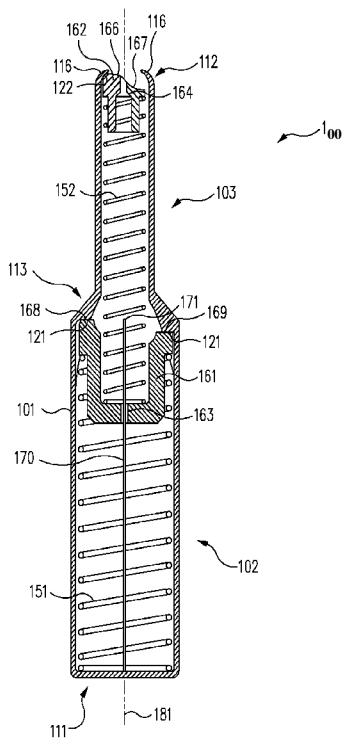


FIG. 1

(57) Abstract: A box magazine for a firearm may have a housing with two substantially different widths. A wider region may accommodate four columns of cartridges and may have tapered surfaces at one end that lead into a narrower region which may accommodate an interlocked and staggered double column of cartridges. Cartridges in the wider region may be separated into two staggered double columns by a free standing dividing wall and may be advanced by inner and outer contoured followers that may be nested together to form a single follower assembly surrounding the freestanding wall and that may be driven by the outer follower's spring. An inner follower spring may remain nested within the outer follower such that the two followers coordinate the advance of the two separated double columns of cartridges toward tapered surfaces that merge the two double columns into two single columns proximate the top of the dividing wall.



WO 2012/003020 A3



SM, TR), OAPI (BF, BJ, CF, CG, CI, CM, GA, GN, GQ,
GW, ML, MR, NE, SN, TD, TG).

— *before the expiration of the time limit for amending the
claims and to be republished in the event of receipt of
amendments (Rule 48.2(h))*

Published:

— *with international search report (Art. 21(3))*

(88) Date of publication of the international search report:

15 March 2012

INTERNATIONAL SEARCH REPORT

International application No
PCT/US2011/030051

A. CLASSIFICATION OF SUBJECT MATTER
INV. F41A9/69 F41A9/70
ADD..

According to International Patent Classification (IPC) or to both national classification and IPC

B. FIELDS SEARCHED

Minimum documentation searched (classification system followed by classification symbols)
F41A

Documentation searched other than minimum documentation to the extent that such documents are included in the fields searched

Electronic data base consulted during the international search (name of data base and, where practical, search terms used)
EPO-Internal

C. DOCUMENTS CONSIDERED TO BE RELEVANT

Category*	Citation of document, with indication, where appropriate, of the relevant passages	Relevant to claim No.
X Y A	GB 536 728 A (JOSEF DOBREMYSL) 26 May 1941 (1941-05-26) page 2, lines 9-103 figures 1-3 -----	I-7, II-13, 15-21, 28,29 9,10 8,14, 22-27
X Y	US 4 589 218 A (TEPPA ROBERTO [IT]) 20 May 1986 (1986-05-20) cited in the application column 1, line 66 - column 5, line 29 figures 2-4 -----	12,13, 15,16 9,10
X,P	US 2010/126053 A1 (FITZPATRICK RICHARD M [US] ET AL) 27 May 2010 (2010-05-27) paragraphs [0037], [0038] ----- -/- .	12-16

Further documents are listed in the continuation of Box C. See patent family annex.

* Special categories of cited documents :

<p>"A" document defining the general state of the art which is not considered to be of particular relevance</p> <p>"E" earlier document but published on or after the international filing date</p> <p>"L" document which may throw doubts on priority claim(s) or which is cited to establish the publication date of another citation or other special reason (as specified)</p> <p>"O" document referring to an oral disclosure, use, exhibition or other means</p> <p>"P" document published prior to the international filing date but later than the priority date claimed</p>	<p>"T" later document published after the international filing date or priority date and not in conflict with the application but cited to understand the principle or theory underlying the invention</p> <p>"X" document of particular relevance; the claimed invention cannot be considered novel or cannot be considered to involve an inventive step when the document is taken alone</p> <p>"Y" document of particular relevance; the claimed invention cannot be considered to involve an inventive step when the document is combined with one or more other such documents, such combination being obvious to a person skilled in the art.</p> <p>"&" document member of the same patent family</p>
--	--

Date of the actual completion of the international search 11 January 2012	Date of mailing of the international search report 23/01/2012
--	--

Name and mailing address of the ISA/ European Patent Office, P.B. 5818 Patentlaan 2 NL - 2280 HV Rijswijk Tel. (+31-70) 340-2040, Fax: (+31-70) 340-3016	Authorized officer Van Leeuwen, Erik
--	---

INTERNATIONAL SEARCH REPORT

International application No
PCT/US2011/030051

C(Continuation). DOCUMENTS CONSIDERED TO BE RELEVANT

Category*	Citation of document, with indication, where appropriate, of the relevant passages	Relevant to claim No.
A	DE 569 280 C (SIMSON & CO) 1 February 1933 (1933-02-01) figures 1-3 -----	8, 14, 22

INTERNATIONAL SEARCH REPORT

Information on patent family members

International application No

PCT/US2011/030051

Patent document cited in search report	Publication date	Patent family member(s)	Publication date
GB 536728	A	26-05-1941	NONE

US 4589218	A	20-05-1986	NONE

us 2010126053	AI	27-05-2010	NONE

DE 569280	C	01-02-1933	NONE
