



US00D733075S

(12) **United States Design Patent**  
**Junko et al.**

(10) **Patent No.:** **US D733,075 S**  
(45) **Date of Patent:** **\*\* Jun. 30, 2015**

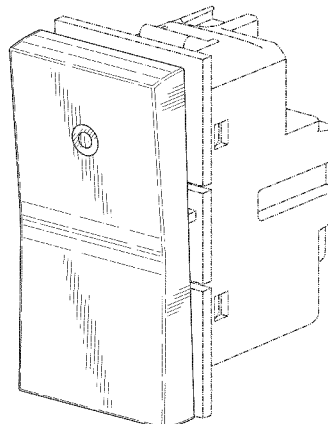
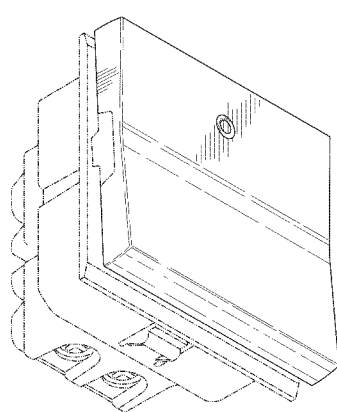
- (54) **MODULAR DIMMER SWITCH WITH A SUBSTANTIALLY SQUARE FOOTPRINT**
- (71) Applicant: **Pass & Seymour, Inc.**, Syracuse, NY (US)
- (72) Inventors: **Theodore Junko**, Manlius, NY (US);  
**Taesuk Yang**, Wallingford, CT (US);  
**Phillip Prestigomo**, Simsbury, CT (US)
- (73) Assignee: **Pass & Seymour, Inc.**, Syracuse, NY (US)
- (\*\*) Term: **14 Years**
- (21) Appl. No.: **29/482,435**
- (22) Filed: **Feb. 18, 2014**

**Related U.S. Application Data**

- (62) Division of application No. 29/414,397, filed on Feb. 28, 2012, now Pat. No. Des. 709,463.
- (51) **LOC (10) Cl.** ..... **13-03**
- (52) **U.S. Cl.**  
USPC ..... **D13/169**
- (58) **Field of Classification Search**  
USPC ..... D13/162, 164, 171, 177; 174/66;  
200/5 R, 5 A, 1 B, 293, 296, 329, 406,  
200/513, 520, 530, 302.1, 302.2, 314, 315,  
200/341, 344; 338/198-200; 307/112, 115,  
307/125, 139, 157  
CPC ..... H01H 9/02; H01H 9/0271; H01H 9/16;  
H01H 9/18; H01H 9/161; H01H 9/181;  
H01H 9/182; H01H 13/04; H01H 13/14;  
H01H 13/20; H01H 13/30; H01H 19/635;  
H01H 23/00; H01H 23/02; H01H 23/025;  
H01H 23/04; H01H 23/145; H01H 23/148;  
H01H 23/205; H01H 23/30; H05B 33/0803;  
H05B 33/0863; H05B 37/02; H05B 37/0254;  
H05B 37/0272; H05B 39/02; H05B 39/04;  
H05B 39/085; H05B 39/086; H05B 39/088  
See application file for complete search history.

(56) **References Cited**  
U.S. PATENT DOCUMENTS

3,651,296 A	3/1972	Yarbrough
4,808,778 A	2/1989	Fujiyoshi
5,036,168 A	7/1991	Kikuchi et al.
D360,876 S	8/1995	Hughes
5,934,451 A	8/1999	Yu et al.
D440,946 S	4/2001	Yu
D499,703 S	12/2004	Barone
6,891,117 B1	5/2005	Gouhl et al.
6,909,060 B1 *	6/2005	Shotey et al. .... 200/333
D509,805 S	9/2005	Spira
D510,073 S	9/2005	Jacoby et al.
D510,074 S	9/2005	Larson et al.
D518,446 S	4/2006	Hedderich et al.
7,026,564 B1	4/2006	Savicki et al.
D523,824 S	6/2006	Lombardi et al.
D533,844 S	12/2006	Larson et al.
D534,875 S	1/2007	Wu
D538,755 S	3/2007	Mayo et al.
D539,233 S	3/2007	Mayo et al.
D539,236 S	3/2007	Mayo et al.
D539,237 S	3/2007	Mayo et al.
D539,757 S	4/2007	Mayo et al.
D540,266 S	4/2007	Mayo et al.
D540,267 S	4/2007	Larson et al.
D540,748 S	4/2007	Larson et al.
D541,221 S	4/2007	Spira
D541,222 S	4/2007	Mayo et al.
D541,223 S	4/2007	Mayo et al.
D541,224 S	4/2007	Mayo et al.
D541,755 S	5/2007	Spira
D542,226 S	5/2007	Spira
D542,227 S	5/2007	Larson et al.
D542,229 S	5/2007	Larson et al.
D542,231 S	5/2007	Mayo et al.
D542,737 S	5/2007	Spira
D543,510 S	5/2007	Larson et al.
D544,450 S	6/2007	Mierta et al.
D545,770 S	7/2007	Mayo et al.
D545,771 S	7/2007	Jacoby et al.
D546,293 S	7/2007	Mayo et al.
D546,775 S	7/2007	Mayo et al.
D546,776 S	7/2007	Mierta et al.
D546,777 S	7/2007	Mierta et al.
D546,778 S	7/2007	Mierta et al.
D546,779 S	7/2007	Mierta et al.
D547,273 S	7/2007	Mierta et al.
D547,274 S	7/2007	Mierta et al.
D547,731 S	7/2007	Larson et al.
D547,732 S	7/2007	Kumar



D548,194	S	8/2007	Spira	
D551,176	S	9/2007	Hollner	
D551,177	S	9/2007	Larson et al.	
D551,630	S	9/2007	Larson et al.	
7,265,308	B2 *	9/2007	Endres et al.	200/339
7,285,723	B2 *	10/2007	Lindenstrauss et al.	174/66
D557,662	S	12/2007	Spira	
D557,664	S	12/2007	Hewsen et al.	
D557,665	S	12/2007	Hewsen et al.	
D559,710	S	1/2008	Jacoby et al.	
D560,619	S	1/2008	Hewsen et al.	
D567,767	S	4/2008	Hewsen et al.	
D569,351	S	5/2008	Hewsen et al.	
D571,312	S	6/2008	Hewsen et al.	
D572,664	S	7/2008	Hollner et al.	
D572,665	S	7/2008	Hollner et al.	
D573,546	S	7/2008	Hollner	
D573,956	S	7/2008	Hollner et al.	
7,400,239	B2 *	7/2008	Kiko et al.	340/501
D574,333	S	8/2008	Hewson et al.	
D576,566	S	9/2008	Wu et al.	
D576,958	S	9/2008	Hollner	
D580,374	S	11/2008	Hewson et al.	
D580,881	S	11/2008	Barbour	
D580,882	S	11/2008	Barbour	
D580,883	S	11/2008	Hollner	
D580,884	S	11/2008	Hollner	
D583,335	S	12/2008	Ni	
D585,840	S	2/2009	Hollner	
D585,841	S	2/2009	Hollner	
D586,760	S	2/2009	Hollner et al.	
D586,762	S	2/2009	Nichols et al.	
D588,070	S	3/2009	Hollner et al.	
D588,071	S	3/2009	Hollner et al.	
D588,072	S	3/2009	Hollner et al.	
D588,073	S	3/2009	Hollner	
D588,074	S	3/2009	Hollner	
D588,075	S	3/2009	Hollner	
D595,663	S	7/2009	Hollner	
D595,665	S	7/2009	Hollner	
D609,650	S	2/2010	Chou et al.	
7,667,155	B1	2/2010	Ni et al.	
D614,589	S	4/2010	Altonen et al.	
7,745,750	B2 *	6/2010	Hewson et al.	200/339
D619,972	S	7/2010	Felegy et al.	
7,777,145	B2 *	8/2010	Burrell et al.	200/330
D624,880	S	10/2010	Felegy et al.	
D649,122	S	11/2011	Jacoby et al.	
D649,123	S	11/2011	Jacoby et al.	
D651,182	S	12/2011	Alderson et al.	
8,138,435	B2 *	3/2012	Patel et al.	200/315
8,299,359	B2 *	10/2012	Alderson et al.	174/66
8,459,812	B2	6/2013	Wu et al.	
D708,151	S *	7/2014	Junko et al.	D13/169
D709,463	S *	7/2014	Junko et al.	D13/169
D721,337	S *	1/2015	Junko et al.	D13/169
2002/0056628	A1	5/2002	Capella	
2006/0065510	A1	3/2006	Kiko et al.	
2007/0193863	A1	8/2007	Wu	
2008/0078665	A1	4/2008	Soler	
2009/0189542	A1	7/2009	Wu et al.	
2013/0277191	A1 *	10/2013	Trolese et al.	200/501

\* cited by examiner

Primary Examiner — Selina Sikder  
(74) Attorney, Agent, or Firm — Daniel P. Malley; Bond Schoeneck & King, PLLC

(57) **CLAIM**

The ornamental design for a modular dimmer switch with a substantially square footprint, as shown and described.

**DESCRIPTION**

FIG. 1 is a full isometric view of the modular dimmer switch, the switch being shown as it comes from the factory on its mounting plate, the plate and integral hardware behind it being shown in environmental lines;

FIG. 2 is the same isometric view of the modular dimmer switch shown in FIG. 1 as seen extending through a square shaped opening of a wall plate cover, the wall plate cover being shown in environmental lines;

FIG. 3 is a front elevation view of the switch depicted in FIG. 1; (the back side view is not shown because nothing is claimed about that side of the invention)

FIG. 4 is a left side elevation view of the switch depicted in FIG. 1;

FIG. 5 is a top plan view of the switch depicted in FIG. 1; FIG. 6 is a bottom plan view of the switch depicted in FIG. 1; FIG. 7 is a right side elevation view of the switch depicted in FIG. 1;

FIG. 8 is full isometric view of an alternate embodiment of the modular dimmer switch shown in FIGS. 1-7 showing a center light transmissive region surrounded by an annular light transmissive region;

FIG. 9 is a full isometric view of alternate embodiment of the modular dimmer switch, the switch being shown as it comes from the factory on its mounting plate, the plate and integral hardware behind it being shown in environmental lines;

FIG. 10 is the same isometric view of the modular dimmer switch shown in FIG. 9 as seen extending through a square shaped opening of a wall plate cover, the wall plate cover being shown in environmental lines;

FIG. 11 is a front elevation view of the switch depicted in FIG. 9;

FIG. 12 is a left side elevation view of the switch depicted in FIG. 9;

FIG. 13 is a top plan view of the switch depicted in FIG. 9; FIG. 14 is a bottom plan view of the switch depicted in FIG. 9;

FIG. 15 is a right side elevation view of the switch depicted in FIG. 9; and,

FIG. 16 is full isometric view of an alternate embodiment of the modular dimmer switch shown in FIGS. 9-15 showing a center light transmissive region surrounded by an annular light transmissive region.

The broken line showing of the environment is for illustrative purposes only and forms no part of the claimed design.

**1 Claim, 8 Drawing Sheets**

Fig. 1

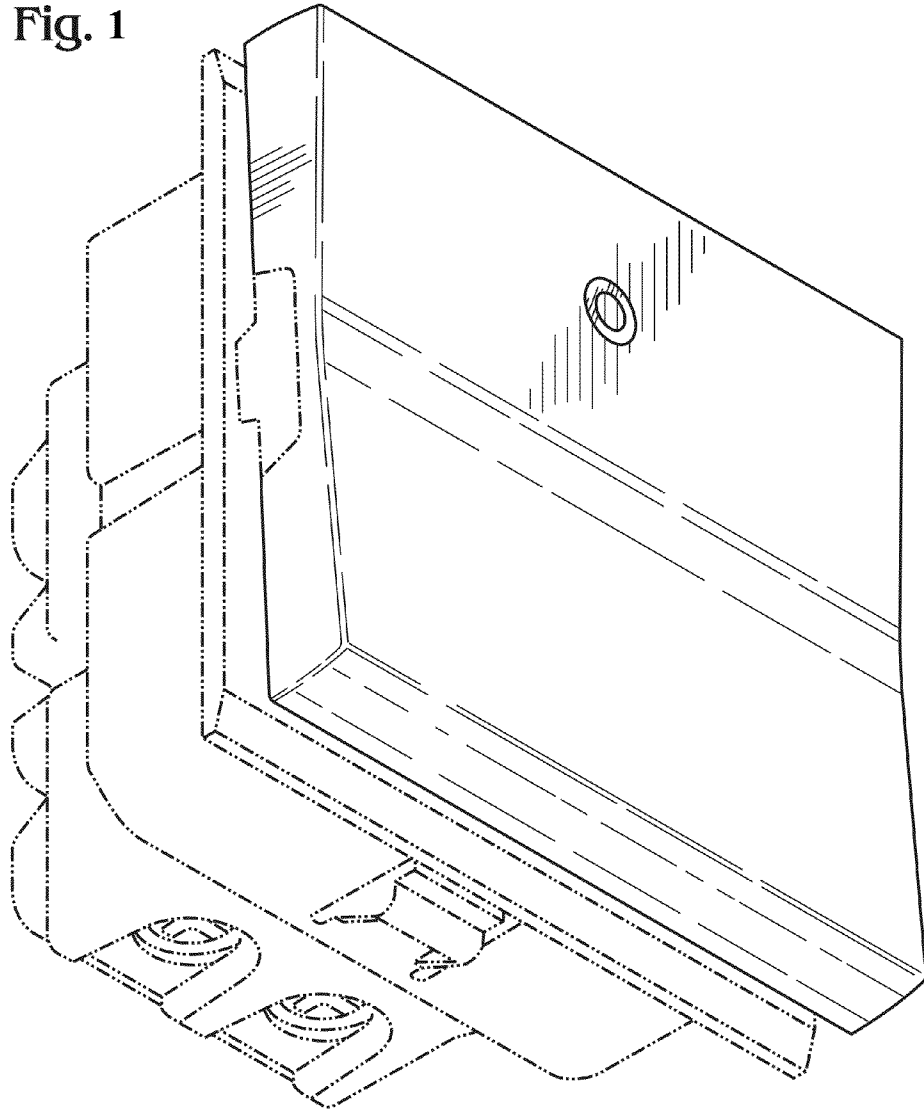


Fig. 2

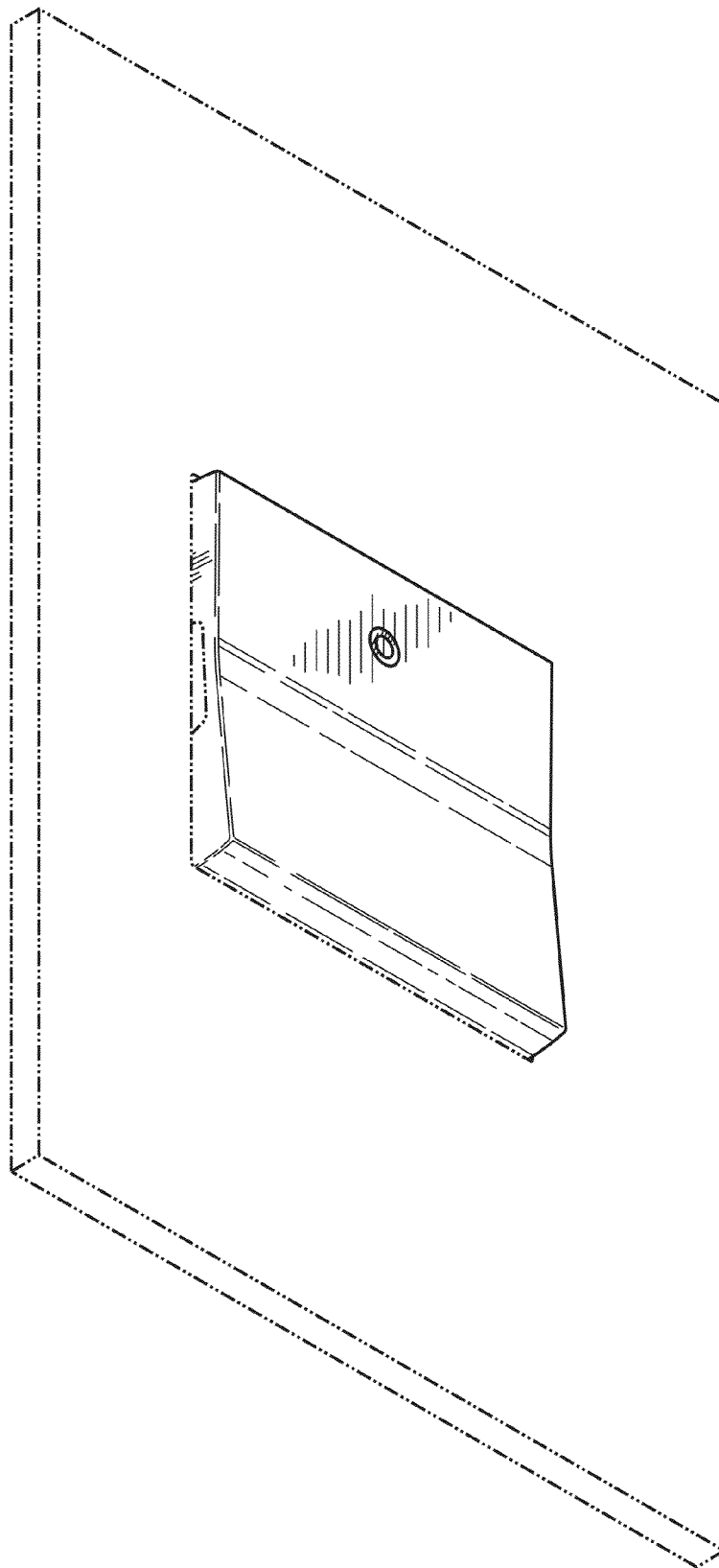


Fig. 3

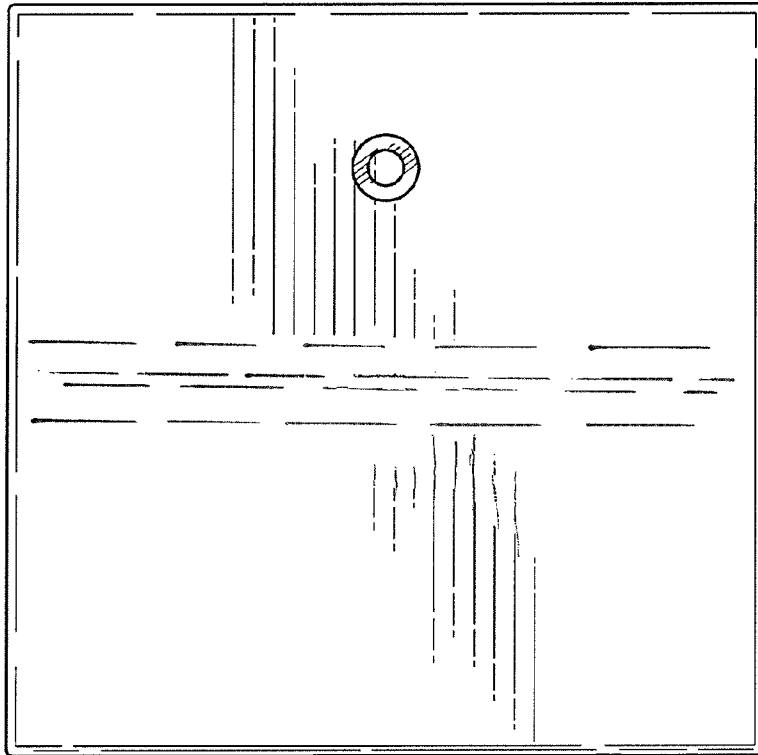


Fig. 4

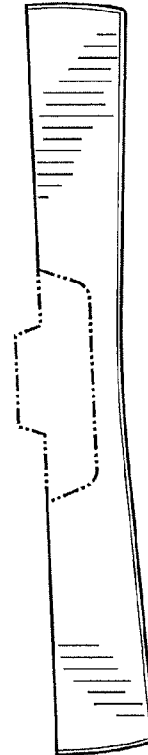


Fig. 5



Fig. 7

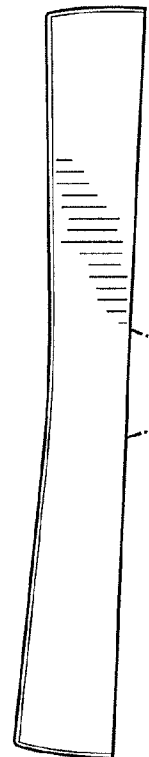


Fig. 6

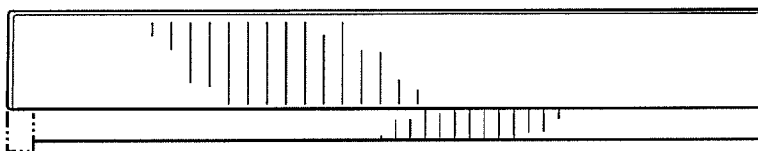


Fig. 8

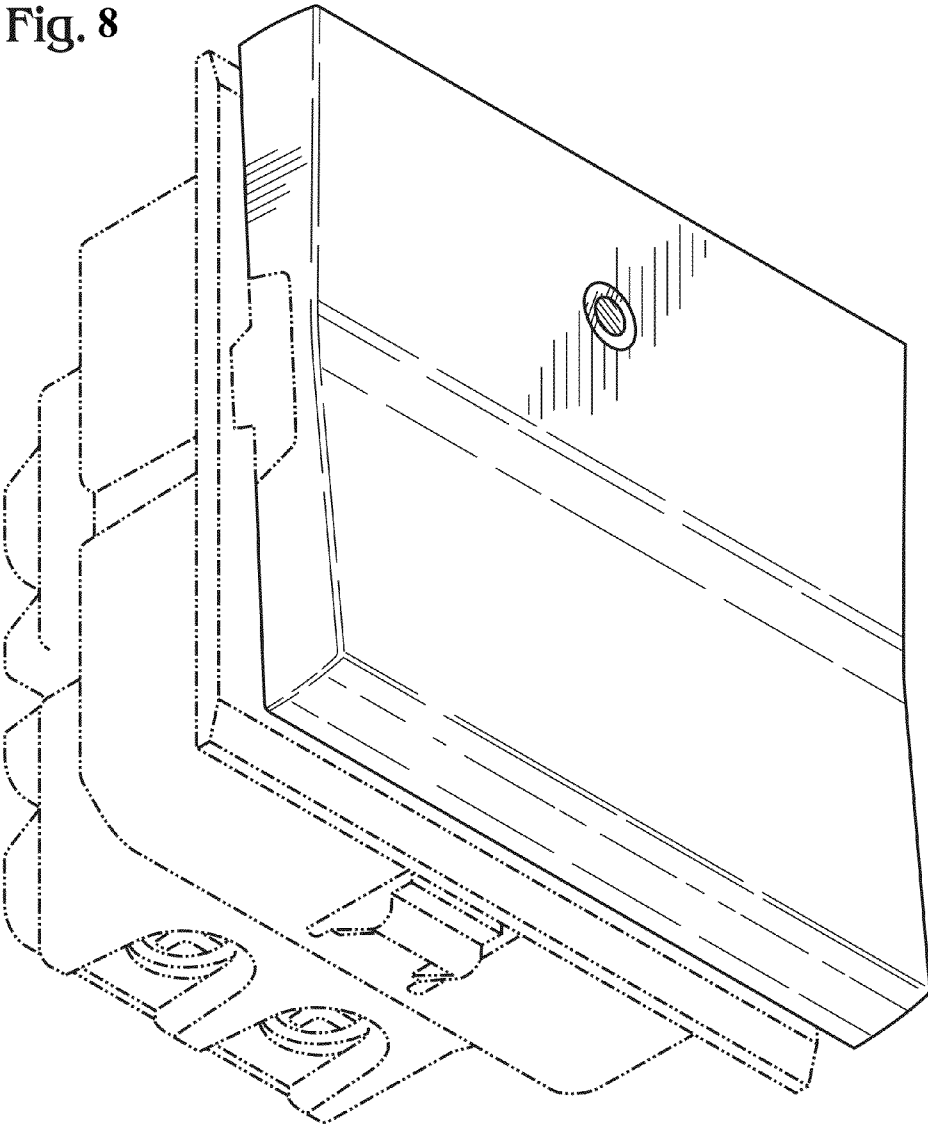


Fig. 9

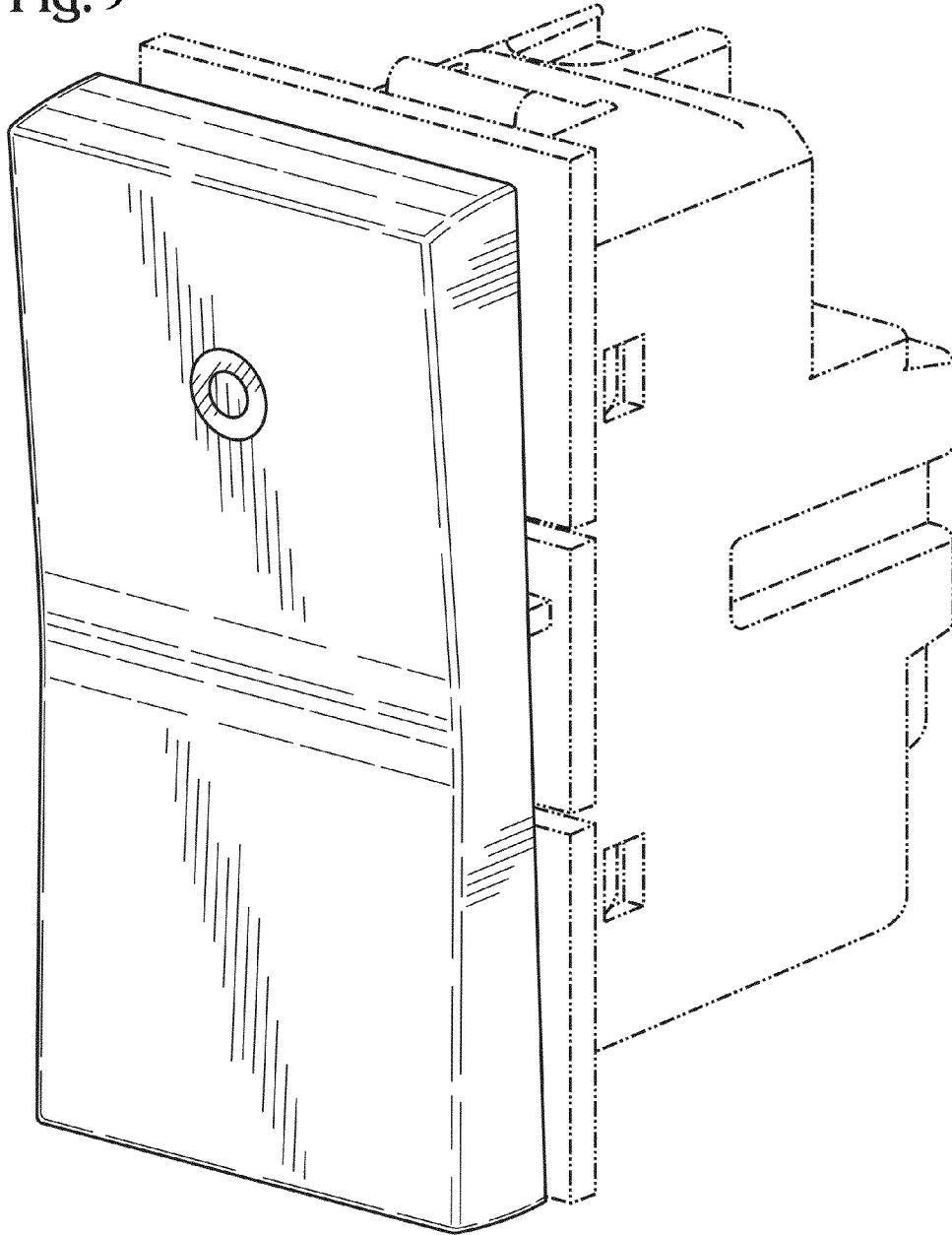


Fig. 10

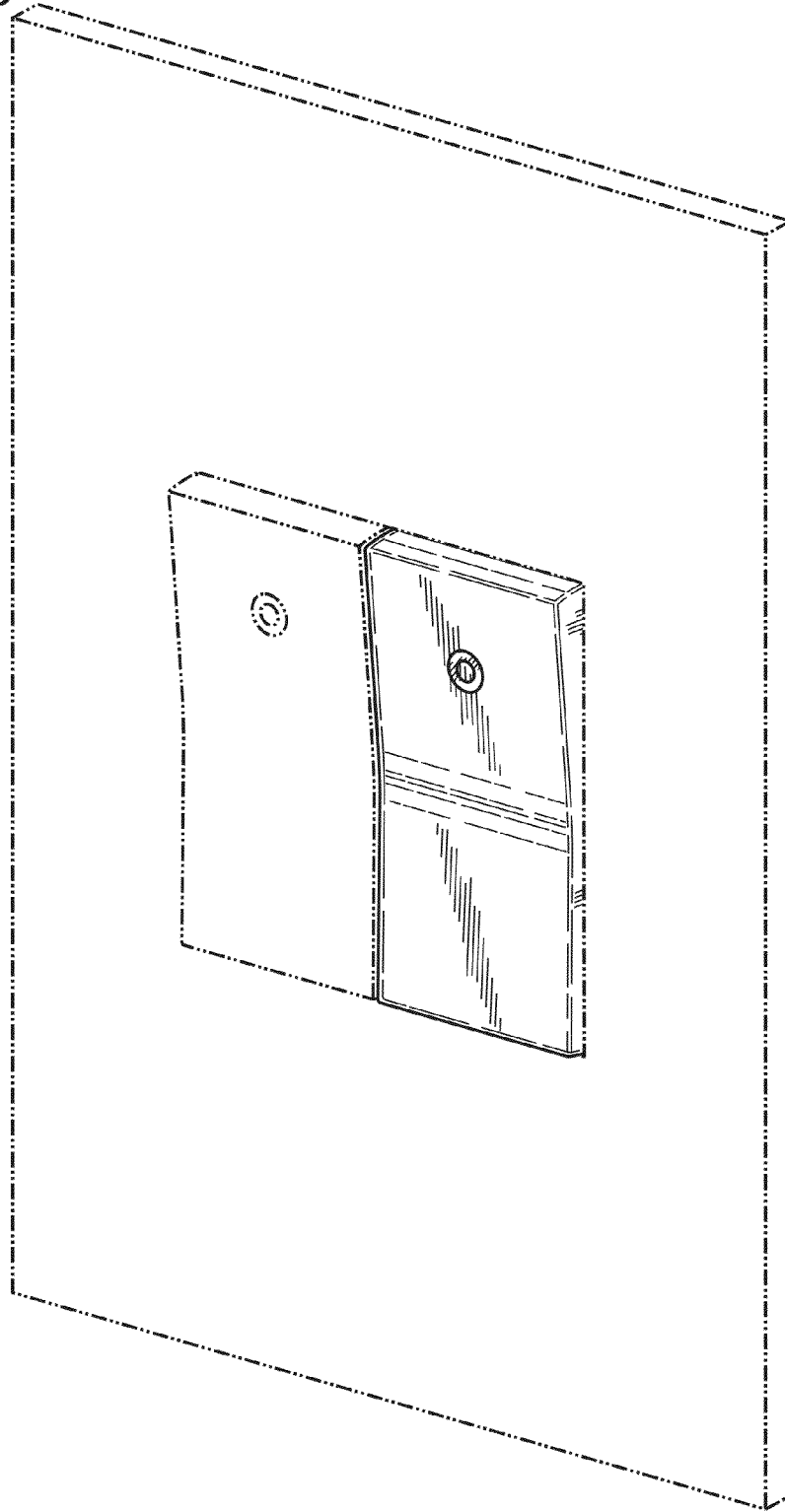




Fig. 11

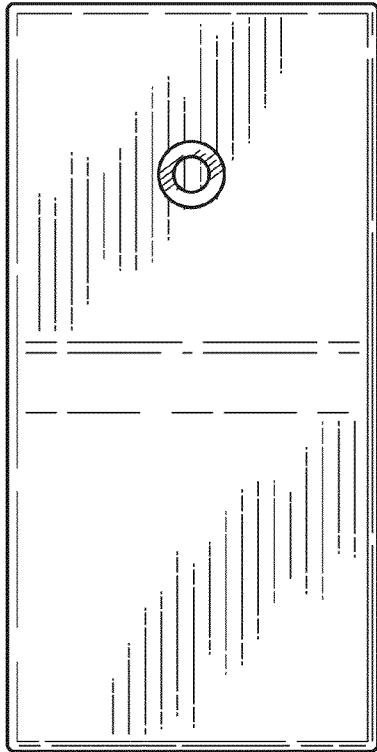


Fig. 12



Fig. 15

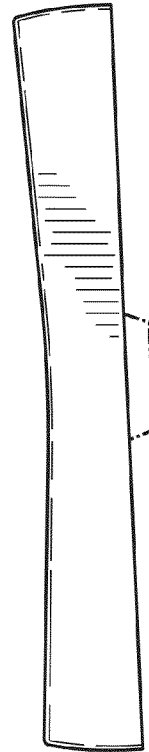


Fig. 13

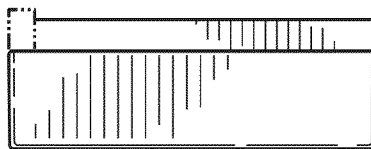


Fig. 14

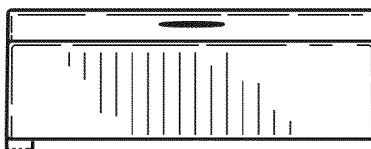


Fig. 16

