



US00D749213S

(12) **United States Design Patent**  
**Chauvette**

(10) **Patent No.:** **US D749,213 S**

(45) **Date of Patent:** **\*\* Feb. 9, 2016**

(54) **CONNECTOR**

(71) Applicant: **ConMed Corporation**, Utica, NY (US)

(72) Inventor: **Guillaume Chauvette**, Victoriaville (CA)

(73) Assignee: **Conmed Corporation**, Utica, NY (US)

(\*\*) Term: **14 Years**

(21) Appl. No.: **29/522,583**

(22) Filed: **Mar. 31, 2015**

**Related U.S. Application Data**

(62) Division of application No. 29/439,732, filed on Dec. 14, 2012, now Pat. No. Des. 739,527.

(51) **LOC (10) Cl.** ..... **24-01**

(52) **U.S. Cl.**

USPC ..... **D24/129**

(58) **Field of Classification Search**

USPC ..... D24/127-131, 112-114, 133, 186;  
606/181, 185; 604/264, 272, 115, 232,  
604/187, 158, 164.08, 192, 263, 163, 181,  
604/184, 198, 227; 600/101, 139, 143;  
128/200.24, 207.14, 207.15

See application file for complete search history.

(56) **References Cited**

**U.S. PATENT DOCUMENTS**

D257,063	S	*	9/1980	Galindo	.....	D24/127
D298,355	S	*	11/1988	Young	.....	D24/128
D303,710	S	*	9/1989	Neill	.....	D23/262
5,336,206	A	*	8/1994	Shichman	.....	A61B 17/3403 604/164.12
6,035,228	A		3/2000	Yanof et al.		
D431,864	S	*	10/2000	Jansen	.....	D24/129
D435,652	S	*	12/2000	Nazarifar	.....	D23/262
D670,553	S	*	11/2012	Mahaffey	.....	D8/330
D675,729	S	*	2/2013	Wang	.....	D24/108
D714,935	S	*	10/2014	Nishioka	.....	D24/130
D717,948	S	*	11/2014	Strong	.....	D24/130
2006/0235364	AI	*	10/2006	O'Hare	.....	A61J 1/2096 604/411

(Continued)

**FOREIGN PATENT DOCUMENTS**

WO 9849944 11/1998  
WO 0175318 10/2001

(Continued)

**OTHER PUBLICATIONS**

Torx; <http://en.wikipedia.org/wiki/Torx>; Feb. 3, 2004.

(Continued)

*Primary Examiner* — David Muller

*Assistant Examiner* — Nathan Johnston

(74) *Attorney, Agent, or Firm* — Frederick J. M. Price

(57) **CLAIM**

The ornamental design for a connector, as shown and described.

**DESCRIPTION**

FIG. 1 is a perspective view taken from a top, front, right side of a connector, according to a first embodiment of my new design;

FIG. 2 is a front elevation view thereof;

FIG. 3 is a perspective view taken from a top, front, right side of a connector, according to a second embodiment of my new design;

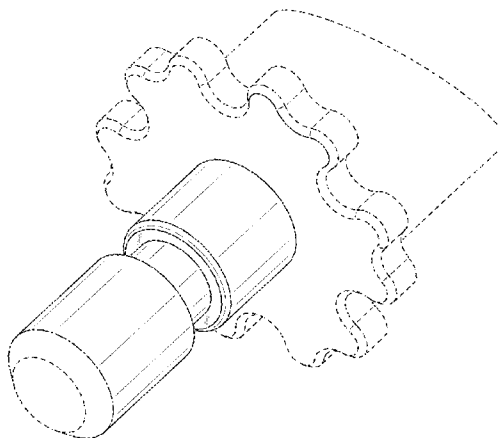
FIG. 4 is a front elevation view thereof;

FIG. 5 is a perspective view taken from a top, front, right side of a connector, according to a third embodiment of my new design; and,

FIG. 6 is a front elevation view thereof.

The dash dot lines immediately adjacent to the shaded areas in the views represent the boundaries of the claimed design. The dashed lines in the figures illustrate the portions of the design that form no part of the claimed design. None of the broken lines form any part of the claimed design.

**1 Claim, 6 Drawing Sheets**



(56)

**References Cited**

U.S. PATENT DOCUMENTS

2008/0132897 A1 6/2008 Livorsi et al.  
2013/0331817 A1\* 12/2013 Woehr ..... A61M 5/3134  
604/506

FOREIGN PATENT DOCUMENTS

WO 2008040537 4/2008  
WO 2008132897 6/2008  
WO 2009023851 2/2009  
WO 2011008828 1/2011

OTHER PUBLICATIONS

Torx Plus; [http://www.pemnet.com/design\\_info/torx.html](http://www.pemnet.com/design_info/torx.html); 2000.

Torx Plus Security; [http://www.wihatools.com/700seri/716\\_ipr\\_serie.htm](http://www.wihatools.com/700seri/716_ipr_serie.htm); 2007.  
Triple Square; [http://en.wikipedia.org/wiki/Triple\\_square](http://en.wikipedia.org/wiki/Triple_square); Triple Square; Jun. 3, 2010.  
Polydrive; <http://en.wikipedia.org/wiki/Polydrive#Polydrive>; Jun. 3, 2010.  
Splinedrive; [http://en.wikipedia.org/wiki/Spline\\_drive#Spline](http://en.wikipedia.org/wiki/Spline_drive#Spline); Jun. 4, 2010.  
Bristol; [http://en.wikipedia.org/wiki/Bristol\\_wrench#Bristol](http://en.wikipedia.org/wiki/Bristol_wrench#Bristol); Jun. 4, 2010.  
Pentalobular; [http://en.wikipedia.org/wiki/Pentalobular\\_screw#Pentalobular](http://en.wikipedia.org/wiki/Pentalobular_screw#Pentalobular); Jan. 20, 2011.  
The AssistArm youtube video by GCS Medical Inc, Jun. 14, 2012, <https://www.youtube.com/watch?v=GpA9J90pw38>.  
The AssistArm by GCS Medical, <http://www.gcs-medical.com/products>.

\* cited by examiner

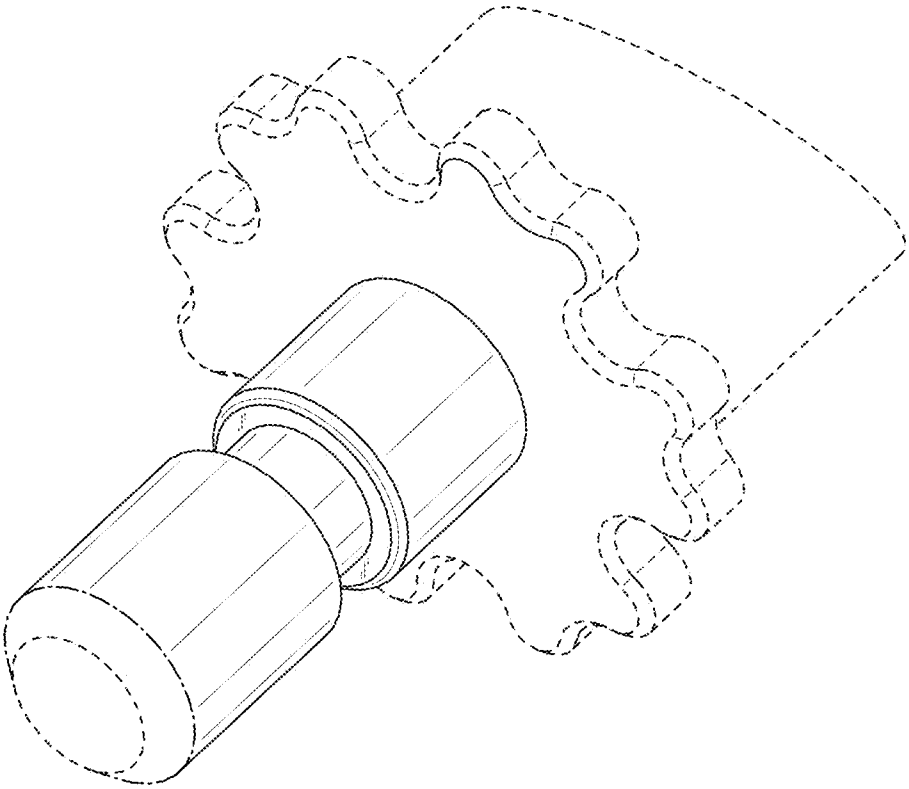


FIG. 1

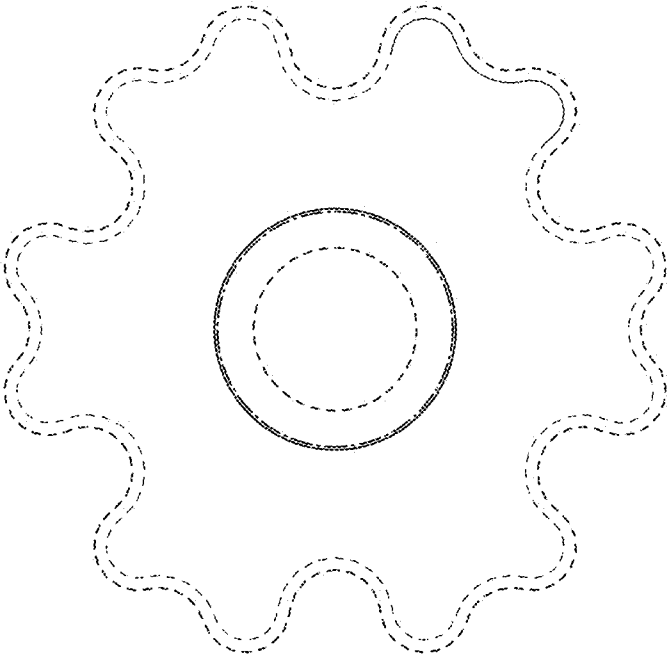


FIG. 2

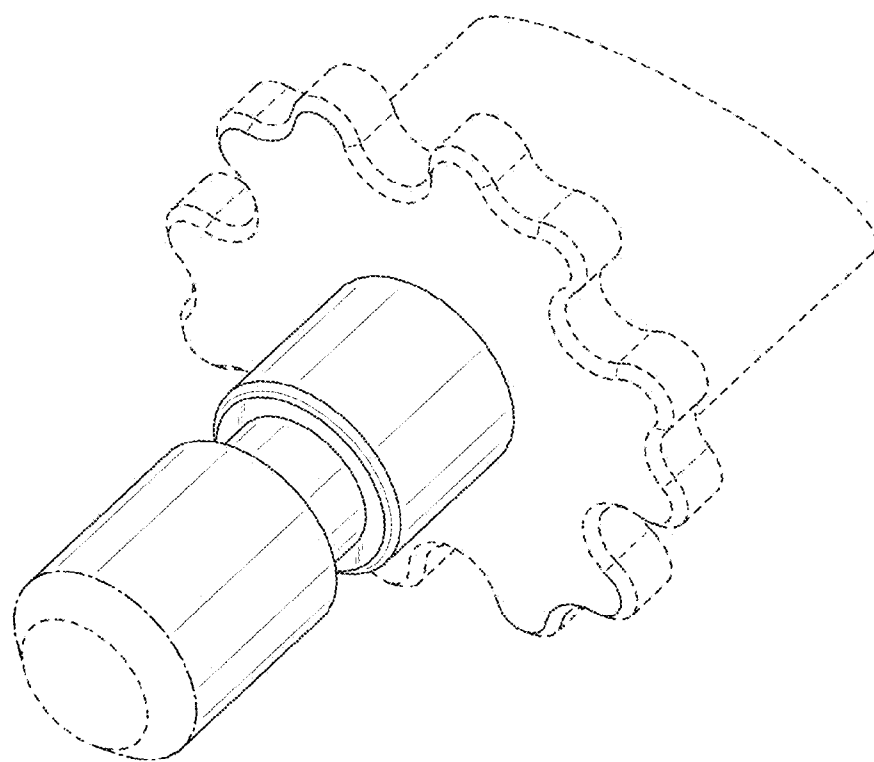


FIG. 3

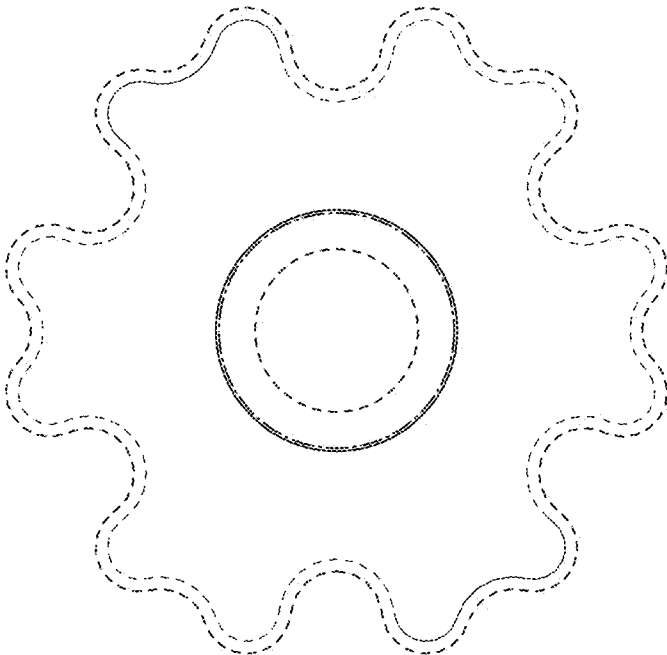


FIG. 4

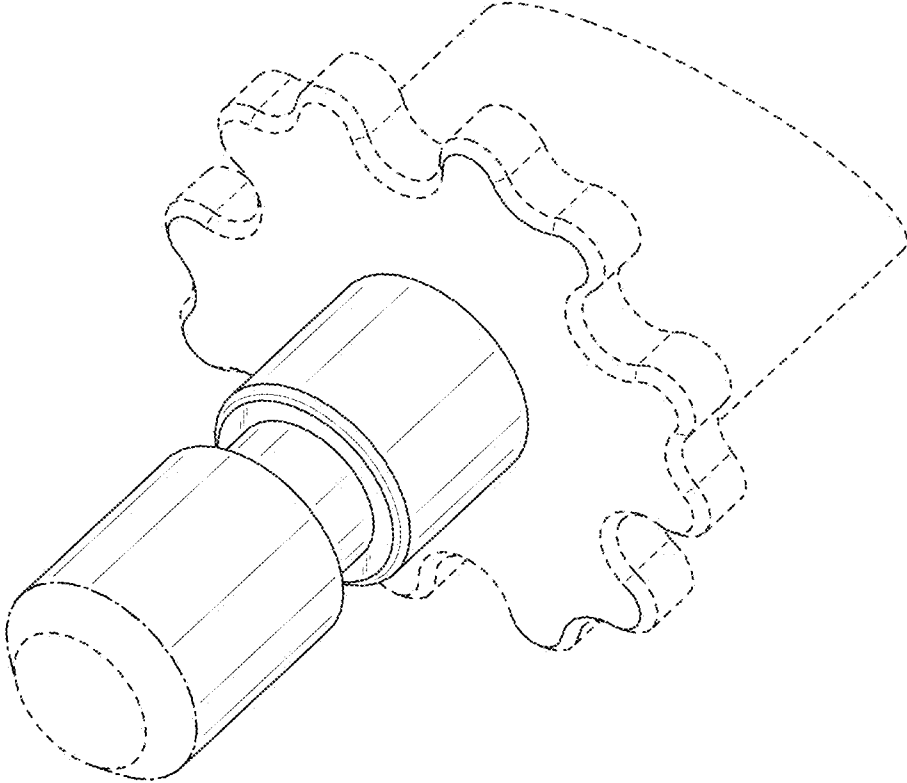


FIG. 5

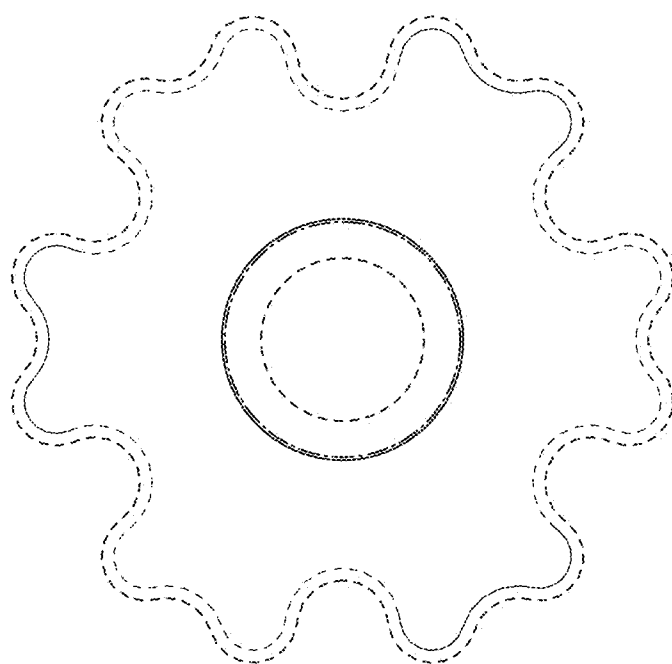


FIG. 6