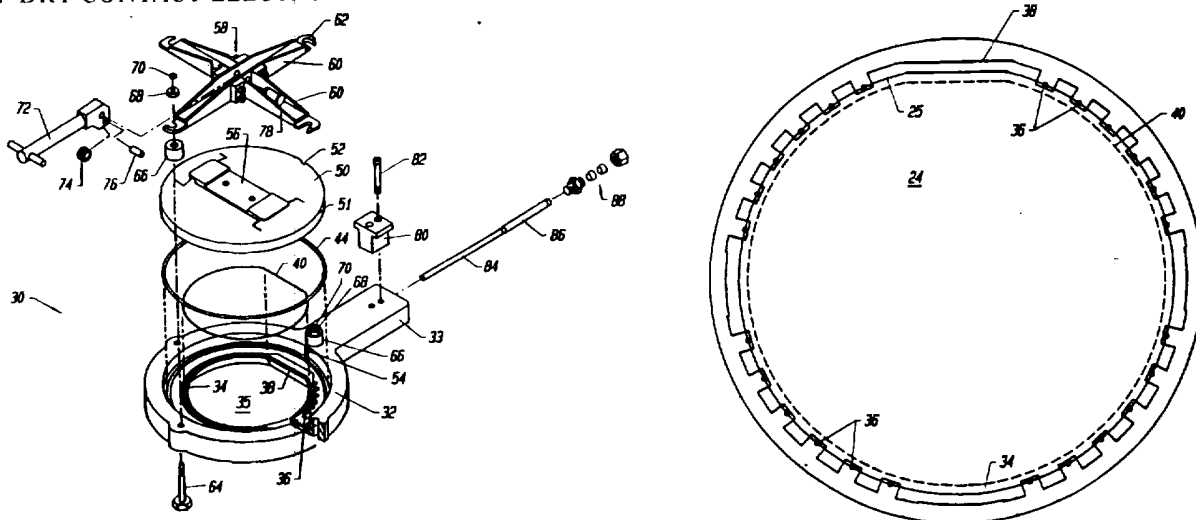




INTERNATIONAL APPLICATION PUBLISHED UNDER THE PATENT COOPERATION TREATY (PCT)

<p>(51) International Patent Classification ⁵ : C25D 7/12</p>	<p>A3</p>	<p>(11) International Publication Number: WO 94/05827 (43) International Publication Date: 17 March 1994 (17.03.94)</p>
<p>(21) International Application Number: PCT/US93/05107 (22) International Filing Date: 28 May 1993 (28.05.93) (30) Priority data: 07/898,038 12 June 1992 (12.06.92) US (71) Applicant: DIGITAL EQUIPMENT CORPORATION [US/US]; 146 Main Street, Maynard, MA 01754 (US). (72) Inventors: BROGDEN, Bruce, Nathan ; 15180 Joanne Avenue, San José, CA 95127 (US). BROWN, Leon, P. ; 37696 Rockspray Street, Newark, CA 94560 (US). HUSAIN, Syed, A. ; 2022 Stratford Drive, Milpitas, CA 95035 (US).</p>		<p>(74) Agents: NATH, Rama, B. et al.; Digital Equipment Corporation, 111 Powdermill Road, Maynard, MA 01754 (US). (81) Designated States: DE, GB, JP. Published <i>With international search report. Before the expiration of the time limit for amending the claims and to be republished in the event of the receipt of amendments.</i> (88) Date of publication of the international search report: 09 June 1994 (09.06.94)</p>

(54) Title: DRY CONTACT ELECTROPLATING APPARATUS



(57) Abstract

A dry contact electroplating structure is disclosed. The structure includes a base member for immersion within an electroplating solution. The base member has a central aperture (35) defined by an aperture perimeter (34) formed within the base member. A sealing ring (40) is positioned adjacent to the aperture perimeter. The sealing ring forms a sealing connection with an object to be electroplated (24). A number of electrical contacts (36) are positioned adjacent to the sealing ring. The electrical contacts form an electrical connection with one side of the object to be electroplated (24). A lid is positioned on the base member over one side of the central aperture. Thus, the lid protects the electrical contacts and one side of the object to be electroplated, while the other side of the object is exposed to the electroplating solution.

FOR THE PURPOSES OF INFORMATION ONLY

Codes used to identify States party to the PCT on the front pages of pamphlets publishing international applications under the PCT.

AT	Austria	GB	United Kingdom	MR	Mauritania
AU	Australia	GE	Georgia	MW	Malawi
BB	Barbados	GN	Guinea	NE	Niger
BE	Belgium	GR	Greece	NL	Netherlands
BF	Burkina Faso	HU	Hungary	NO	Norway
BG	Bulgaria	IE	Ireland	NZ	New Zealand
BJ	Benin	IT	Italy	PL	Poland
BR	Brazil	JP	Japan	PT	Portugal
BY	Belarus	KE	Kenya	RO	Romania
CA	Canada	KG	Kyrgystan	RU	Russian Federation
CF	Central African Republic	KP	Democratic People's Republic of Korea	SD	Sudan
CG	Congo	KR	Republic of Korea	SE	Sweden
CH	Switzerland	KZ	Kazakhstan	SI	Slovenia
CI	Côte d'Ivoire	LI	Licchtenstein	SK	Slovakia
CM	Cameroon	LK	Sri Lanka	SN	Senegal
CN	China	LU	Luxembourg	TD	Chad
CS	Czechoslovakia	LV	Latvia	TC	Togo
CZ	Czech Republic	MC	Monaco	TJ	Tajikistan
DE	Germany	MD	Republic of Moldova	TT	Trinidad and Tobago
DK	Denmark	MG	Madagascar	UA	Ukraine
ES	Spain	ML	Mali	US	United States of America
FI	Finland	MN	Mongolia	UZ	Uzbekistan
FR	France			VN	Viet Nam
GA	Gabon				

INTERNATIONAL SEARCH REPORT

International Application No
PCT/US 93/05107

A. CLASSIFICATION OF SUBJECT MATTER
IPC 5 C25D7/12

According to International Patent Classification (IPC) or to both national classification and IPC

B. FIELDS SEARCHED

Minimum documentation searched (classification system followed by classification symbols)
IPC 5 C25D

Documentation searched other than minimum documentation to the extent that such documents are included in the fields searched

Electronic data base consulted during the international search (name of data base and, where practical, search terms used)

C. DOCUMENTS CONSIDERED TO BE RELEVANT

Category *	Citation of document, with indication, where appropriate, of the relevant passages	Relevant to claim No.
X	GB,A,945 949 (SIEMENS-SCHUCKERTWERKE AG) 8 January 1964 see page 2, line 102 - line 116; figures 1,2	1-4
X	---	
	DE,A,14 96 870 (KABUSHIKI KAISHA HITACHI SEISAKUSHO) 8 January 1970 see page 11; figure 2; example 2 -----	1-4

Further documents are listed in the continuation of box C.

Patent family members are listed in annex.

* Special categories of cited documents :

- *A* document defining the general state of the art which is not considered to be of particular relevance
- *E* earlier document but published on or after the international filing date
- *L* document which may throw doubts on priority claim(s) or which is cited to establish the publication date of another citation or other special reason (as specified)
- *O* document referring to an oral disclosure, use, exhibition or other means
- *P* document published prior to the international filing date but later than the priority date claimed

- *T* later document published after the international filing date or priority date and not in conflict with the application but cited to understand the principle or theory underlying the invention
- *X* document of particular relevance; the claimed invention cannot be considered novel or cannot be considered to involve an inventive step when the document is taken alone
- *Y* document of particular relevance; the claimed invention cannot be considered to involve an inventive step when the document is combined with one or more other such documents, such combination being obvious to a person skilled in the art.
- *&* document member of the same patent family

Date of the actual completion of the international search

21 April 1994

Date of mailing of the international search report

09. 05. 94

Name and mailing address of the ISA
European Patent Office, P.B. 5818 Patentlaan 2
NL - 2280 HV Rijswijk
Tel. (+ 31-70) 340-2040, Tx. 31 651 epo nl,
Fax: (+ 31-70) 340-3016

Authorized officer

Nguyen The Nghiep, N

INTERNATIONAL SEARCH REPORT

Information on patent family members

International Application No
PCT/US 93/05107

Patent document cited in search report	Publication date	Patent family member(s)	Publication date
GB-A-945949		CH-A- 387410 DE-B- 1271838 FR-A- 1243389 NL-C- 133277 NL-A- 247276 US-A- 3261773 US-A- 3328272	
DE-A-1496870	08-01-70	NL-A- 6512681 US-A- 3661727	04-04-66 09-05-72