

(19) World Intellectual Property Organization
International Bureau



(43) International Publication Date
23 May 2002 (23.05.2002)

PCT

(10) International Publication Number
WO 2002/041617 A3

(51) International Patent Classification⁷: H04M 11/06, 1/725

Kenneth, Russell [US/US]; 8422 Ardennes Drive, Fishers, IN 46038 (US). CLIFFORD, Thomas, Charles [US/US]; 9836 Woodbriar Lane, Indianapolis, IN 46280 (US).

(21) International Application Number: PCT/US2001/045498

(74) Agents: TRIPOLI, Joseph, S. et al.; Thomson Multimedia Licensing Incorporated, P.O. Box 5312, Princeton, NJ 08540 (US).

(22) International Filing Date: 15 November 2001 (15.11.2001)

(25) Filing Language: English

(81) Designated States (national): AE, AG, AL, AM, AT, AU, AZ, BA, BB, BG, BR, BY, BZ, CA, CH, CN, CO, CR, CU, CZ, DE, DK, DM, DZ, EC, EE, ES, FI, GB, GD, GE, GH, GM, HR, HU, ID, IL, IN, IS, JP, KE, KG, KP, KR, KZ, LC, LK, LR, LS, LT, LU, LV, MA, MD, MG, MK, MN, MW, MX, MZ, NO, NZ, OM, PH, PL, PT, RO, RU, SD, SE, SG, SI, SK, SL, TJ, TM, TR, TT, TZ, UA, UG, US, UZ, VN, YU, ZA, ZW.

(26) Publication Language: English

(30) Priority Data:
60/248,940 16 November 2000 (16.11.2000) US
09/955,882 19 September 2001 (19.09.2001) US

(71) Applicant (for all designated States except US): ATLINKS USA, INC. [US/US]; 10330 N. Meridian Street, INH-340, Indianapolis, IN 46290-1024 (US).

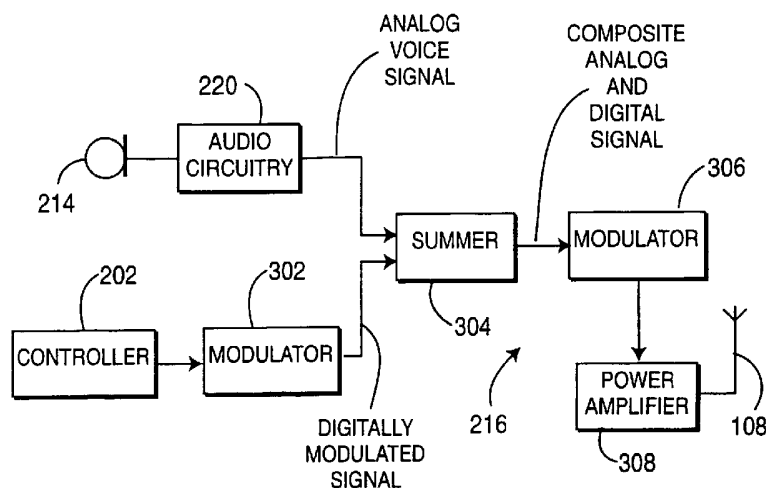
(84) Designated States (regional): ARIPO patent (GH, GM, KE, LS, MW, MZ, SD, SL, SZ, TZ, UG, ZM, ZW), Eurasian patent (AM, AZ, BY, KG, KZ, MD, RU, TJ, TM), European patent (AT, BE, CH, CY, DE, DK, ES, FI, FR, GB, GR, IE, IT, LU, MC, NL, PT, SE, TR), OAPI patent (BF, BJ, CF, CG, CI, CM, GA, GN, GQ, GW, ML, MR, NE, SN, TD, TG).

(72) Inventors; and

(75) Inventors/Applicants (for US only): RIEDL, Wilhelm, Ernst [US/US]; 8742 Garonne Terrace #2D, Indianapolis, IN 46250 (US). LAI, Hung, Chi [US/US]; 8949 Autumn Wood #1C, Indianapolis, IN 46250 (US). MILLS,

[Continued on next page]

(54) Title: METHOD AND APPARATUS FOR SIMULTANEOUSLY COMMUNICATING VOICE AND DATA IN AN ANALOG CORDLESS TELEPHONE SYSTEM



(57) Abstract: A method of simultaneously communicating voice and data on the same channel in an analog cordless telephone system involves generating an analog signal from an audible voice signal during a cordless telephone call; generating a frequency shift keying (FSK) signal from digital data having a nominal frequency of about 20 KHz; summing the analog signal and the FSK signal to produce a composite analog and digital signal; modulating a radio frequency (RF) carrier with the composite analog and digital signal to produce a modulated RF carrier; and transmitting the modulated RF carrier. On the receiving end, the method involves receiving the modulated RF carrier during the call; demodulating the modulated RF carrier to reproduce the composite analog and digital signal; bandpass filtering the composite analog and digital signal to separate the analog signal and the FSK signal from one another; reproducing the audible voice signal from the analog signal; and detecting the digital data from the FSK signal and processing the digital data for display and control.

WO 2002/041617 A3



Published:

— *with international search report*

(88) Date of publication of the international search report:

8 January 2004

For two-letter codes and other abbreviations, refer to the "Guidance Notes on Codes and Abbreviations" appearing at the beginning of each regular issue of the PCT Gazette.

INTERNATIONAL SEARCH REPORT

Internati	plication No
PCT/US	01/45498

A. CLASSIFICATION OF SUBJECT MATTER
 IPC 7 H04M11/06 H04M1/725

According to International Patent Classification (IPC) or to both national classification and IPC

B. FIELDS SEARCHED

Minimum documentation searched (classification system followed by classification symbols)
 IPC 7 H04M H04Q

Documentation searched other than minimum documentation to the extent that such documents are included in the fields searched

Electronic data base consulted during the international search (name of data base and, where practical, search terms used)
 EPO-Internal, WPI Data, PAJ

C. DOCUMENTS CONSIDERED TO BE RELEVANT

Category °	Citation of document, with indication, where appropriate, of the relevant passages	Relevant to claim No.
X	US 5 410 541 A (HOTTO ROBERT) 25 April 1995 (1995-04-25) abstract column 1, line 15-41 column 2, line 18-28 column 2, line 45-49 column 2, line 57 -column 3, line 4 column 3, line 20 -column 4, line 25 column 4, line 39-65 column 5, line 1-9 column 5, line 43-63 figures 1,2 <div style="text-align: center;"> --- ---/--- </div>	1-25

Further documents are listed in the continuation of box C.

Patent family members are listed in annex.

° Special categories of cited documents :

- *A* document defining the general state of the art which is not considered to be of particular relevance
- *E* earlier document but published on or after the international filing date
- *L* document which may throw doubts on priority claim(s) or which is cited to establish the publication date of another citation or other special reason (as specified)
- *O* document referring to an oral disclosure, use, exhibition or other means
- *P* document published prior to the international filing date but later than the priority date claimed

- *T* later document published after the international filing date or priority date and not in conflict with the application but cited to understand the principle or theory underlying the invention
- *X* document of particular relevance; the claimed invention cannot be considered novel or cannot be considered to involve an inventive step when the document is taken alone
- *Y* document of particular relevance; the claimed invention cannot be considered to involve an inventive step when the document is combined with one or more other such documents, such combination being obvious to a person skilled in the art.
- *Z* document member of the same patent family

Date of the actual completion of the international search

15 January 2003

Date of mailing of the international search report

11/02/2003

Name and mailing address of the ISA

European Patent Office, P.B. 5818 Patentlaan 2
 NL - 2280 HV Rijswijk
 Tel. (+31-70) 340-2040, Tx. 31 651 epo nl,
 Fax: (+31-70) 340-3016

Authorized officer

Agante da Silva, P

INTERNATIONAL SEARCH REPORT

 Internatic Application No
 PCT/US 01/45498

C.(Continuation) DOCUMENTS CONSIDERED TO BE RELEVANT

Category °	Citation of document, with indication, where appropriate, of the relevant passages	Relevant to claim No.
A	US 5 752 195 A (TSUJI BRUCE H ET AL) 12 May 1998 (1998-05-12) abstract column 1, line 59-67 column 2, line 8-35 column 2, line 45-59 column 4, line 63 -column 5, line 11 column 4, line 41-45 column 5, line 21-43 column 5, line 58 -column 6, line 22 column 6, line 30-38 column 6, line 49-56 column 7, line 1-8 column 9, line 2-13 column 10, line 4-18 figures 1-3,5 -----	1-25
A	EP 0 790 732 A (IBM) 20 August 1997 (1997-08-20) abstract column 2, line 13-20 column 2, line 26-34 column 4, line 11-22 column 5, line 8-16 column 6, line 42-47 column 6, line 56 -column 7, line 3 figure 3 -----	1-25
A	US 5 297 203 A (HEUNG CHARLEY ET AL) 22 March 1994 (1994-03-22) abstract column 1, line 41-44 column 2, line 62-65 column 4, line 29-36 column 5, line 27-46 column 6, line 65 -column 7, line 3 column 7, line 10-35 column 16, line 11-47; figure 1 column 17, line 15-38 column 22, line 25-50 column 22, line 65 -column 23, line 4 column 24, line 15-51 -----	1-25

INTERNATIONAL SEARCH REPORT

Information on patent family members

Internati	Application No
PCT/US 01/45498	

Patent document cited in search report	A	Publication date	Patent family member(s)	Publication date
US 5410541	A	25-04-1995	US 5646940 A	08-07-1997
US 5752195	A	12-05-1998	US 5581599 A CA 2133859 A1	03-12-1996 01-07-1995
EP 0790732	A	20-08-1997	US 6289213 B1 EP 0790732 A2 JP 9298606 A KR 255576 B1	11-09-2001 20-08-1997 18-11-1997 01-05-2000
US 5297203	A	22-03-1994	CA 2059734 A1 CA 2151516 A1 GB 2257332 A ,B GB 2268370 A ,B JP 3230761 B2 JP 7087561 A US 5371783 A	30-11-1992 30-11-1992 06-01-1993 05-01-1994 19-11-2001 31-03-1995 06-12-1994