



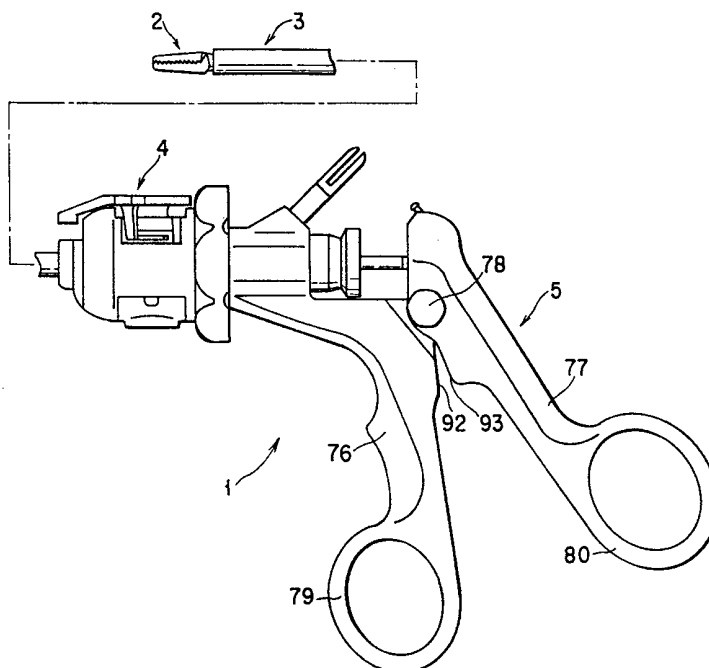
INTERNATIONAL APPLICATION PUBLISHED UNDER THE PATENT COOPERATION TREATY (PCT)

<p>(51) International Patent Classification⁶ : A61B 17/28, 17/39</p>	<p>A3</p>	<p>(11) International Publication Number: WO 99/03405</p> <p>(43) International Publication Date: 28 January 1999 (28.01.99)</p>
<p>(21) International Application Number: PCT/JP98/03208</p> <p>(22) International Filing Date: 16 July 1998 (16.07.98)</p> <p>(30) Priority Data: 9/191159 16 July 1997 (16.07.97) JP 10/192017 7 July 1998 (07.07.98) JP</p> <p>(71) Applicant (for all designated States except US): OLYMPUS OPTICAL CO., LTD. [JP/JP]; 43-2, Hatagaya 2-chome, Shibuya-ku, Tokyo 151-0072 (JP).</p> <p>(72) Inventors; and (75) Inventors/Applicants (for US only): MURAKAMI, Eiji [JP/JP]; 101, Casaberude-Tahira, 4-4-19, Owadamachi, Hachioji-shi, Tokyo 192-0045 (JP). SASAKI, Katsumi [JP/JP]; 1-20-10, Kamezawa, Sumida-ku, Tokyo 130-0014 (JP). HASHIGUCHI, Toshihiko [JP/JP]; 2-20-11, Yokodai, Sagamihara-shi, Kanagawa-ken 229-0026 (JP). KIMURA, Kenichi [JP/JP]; Olympus-Dai-3-Owadaryo, 5-19-10, Owadamachi, Hachioji-shi, Tokyo 192-0045 (JP). SHIGA, Akira [JP/JP]; 4-13-10, Musashidai, Hidaka-shi, Saitama-ken 350-1255 (JP).</p> <p>(74) Agents: SUZUYE, Takehiko et al.; Suzuye & Suzuye, 7-2, Kasumigaseki 3-chome, Chiyoda-ku, Tokyo 100-0013 (JP).</p>		<p>(81) Designated States: US, European patent (DE, FR, GB).</p> <p>Published <i>With international search report.</i></p> <p>(88) Date of publication of the international search report: 8 April 1999 (08.04.99)</p>

(54) Title: TREATMENT TOOL FOR OPERATION

(57) Abstract

A treatment tool for operation according to the present invention comprises an insertion section (3) inserted into a living body, an operating section (5) including a fixed handle (76) removably connected to the base end side of the insertion section and a movable handle (77) adapted to operate with respect to the fixed handle, a treatment section drive unit (2) including a treatment section operable and arranged at the forward end side of the insertion section, a drive unit (23) for driving the treatment section and a drive shaft (24) for connecting the drive unit to the operating section and transmitting the operating force of the operating section to the drive unit for operating the treatment section, an engaging section (121) arranged at the forward end side of the fixed handle, an engaging/disengaging member (111) arranged at the base end of the insertion section and adapted to engage the engaging section as required, and biasing means (108) for energizing the disengaging/engaging member toward the position of engagement between the engaging/disengaging member and the engaging section.



FOR THE PURPOSES OF INFORMATION ONLY

Codes used to identify States party to the PCT on the front pages of pamphlets publishing international applications under the PCT.

AL	Albania	ES	Spain	LS	Lesotho	SI	Slovenia
AM	Armenia	FI	Finland	LT	Lithuania	SK	Slovakia
AT	Austria	FR	France	LU	Luxembourg	SN	Senegal
AU	Australia	GA	Gabon	LV	Latvia	SZ	Swaziland
AZ	Azerbaijan	GB	United Kingdom	MC	Monaco	TD	Chad
BA	Bosnia and Herzegovina	GE	Georgia	MD	Republic of Moldova	TG	Togo
BB	Barbados	GH	Ghana	MG	Madagascar	TJ	Tajikistan
BE	Belgium	GN	Guinea	MK	The former Yugoslav Republic of Macedonia	TM	Turkmenistan
BF	Burkina Faso	GR	Greece	ML	Mali	TR	Turkey
BG	Bulgaria	HU	Hungary	MN	Mongolia	TT	Trinidad and Tobago
BJ	Benin	IE	Ireland	MR	Mauritania	UA	Ukraine
BR	Brazil	IL	Israel	MW	Malawi	UG	Uganda
BY	Belarus	IS	Iceland	MX	Mexico	US	United States of America
CA	Canada	IT	Italy	NE	Niger	UZ	Uzbekistan
CF	Central African Republic	JP	Japan	NL	Netherlands	VN	Viet Nam
CG	Congo	KE	Kenya	NO	Norway	YU	Yugoslavia
CH	Switzerland	KG	Kyrgyzstan	NZ	New Zealand	ZW	Zimbabwe
CI	Côte d'Ivoire	KP	Democratic People's Republic of Korea	PL	Poland		
CM	Cameroon	KR	Republic of Korea	PT	Portugal		
CN	China	KZ	Kazakstan	RO	Romania		
CU	Cuba	LC	Saint Lucia	RU	Russian Federation		
CZ	Czech Republic	LI	Liechtenstein	SD	Sudan		
DE	Germany	LK	Sri Lanka	SE	Sweden		
DK	Denmark	LR	Liberia	SG	Singapore		
EE	Estonia						

INTERNATIONAL SEARCH REPORT

International Application No
PCT/JP 98/03208

A. CLASSIFICATION OF SUBJECT MATTER
IPC 6 A61B17/28 A61B17/39

According to International Patent Classification (IPC) or to both national classification and IPC

B. FIELDS SEARCHED

Minimum documentation searched (classification system followed by classification symbols)

IPC 6 A61B

Documentation searched other than minimum documentation to the extent that such documents are included in the fields searched

Electronic data base consulted during the international search (name of data base and, where practical, search terms used)

C. DOCUMENTS CONSIDERED TO BE RELEVANT

Category °	Citation of document, with indication, where appropriate, of the relevant passages	Relevant to claim No.
X Y	US 5 593 402 A (ALGIRD) 14 January 1997 see column 5, line 8 - line 45; figures 7,8	1-3,6,7 4,5,8,9
Y	---	
Y	US 5 352 235 A (KOROS ET AL.) 4 October 1994 see column 12, line 5 - line 25; figures 17,23,24	4,5
Y	---	
Y X	EP 0 633 002 A (WOLF) 11 January 1995 see column 3, line 4 - column 5, line 15; figures 1-7	8,9 16,17
A		10
X A	---	
X A	EP 0 738 501 A (OLYMPUS) 23 October 1996 see column 6, line 42 - column 9, line 10; figures 6-10	1 4

	-/--	

Further documents are listed in the continuation of box C.

Patent family members are listed in annex.

° Special categories of cited documents :

- *A* document defining the general state of the art which is not considered to be of particular relevance
- *E* earlier document but published on or after the international filing date
- *L* document which may throw doubts on priority claim(s) or which is cited to establish the publication date of another citation or other special reason (as specified)
- *O* document referring to an oral disclosure, use, exhibition or other means
- *P* document published prior to the international filing date but later than the priority date claimed

- *T* later document published after the international filing date or priority date and not in conflict with the application but cited to understand the principle or theory underlying the invention
- *X* document of particular relevance; the claimed invention cannot be considered novel or cannot be considered to involve an inventive step when the document is taken alone
- *Y* document of particular relevance; the claimed invention cannot be considered to involve an inventive step when the document is combined with one or more other such documents, such combination being obvious to a person skilled in the art.
- *&* document member of the same patent family

Date of the actual completion of the international search

27 January 1999

Date of mailing of the international search report

01.02.99

Name and mailing address of the ISA

European Patent Office, P.B. 5818 Patentlaan 2
NL - 2280 HV Rijswijk
Tel. (+31-70) 340-2040, Tx. 31 651 epo nl,
Fax: (+31-70) 340-3016

Authorized officer

Moers, R

INTERNATIONAL SEARCH REPORT

Intern: al Application No

PCT/JP 98/03208

C.(Continuation) DOCUMENTS CONSIDERED TO BE RELEVANT		
Category °	Citation of document, with indication, where appropriate, of the relevant passages	Relevant to claim No.
A	WO 96 04856 A (UNITED STATES SURGICAL CORP) 22 February 1996 see page 14, line 7 - page 17, line 24; figures 6-8 ---	1-3,5,6
A	WO 94 00059 A (MICROSURGE INC) 6 January 1994 see page 11, line 29 - page 12, line 28 see page 13, line 8 - line 24 see page 14, line 6 - line 14; figure 4 ---	1-3,6,7
A	WO 97 24072 A (RIZA) 10 July 1997 see page 20, line 13 - page 23, line 20; figures 1-3 ---	1-3
A	DE 93 17 535 U (TONTARRA) 27 January 1994 see page 12, paragraph 3 - page 13, paragraph 1; figures 2,10 ---	4
A	US 3 911 241 A (JARRARD JERRY W) 7 October 1975 see column 3, line 67 - column 4, line 20; figures 1,4 ---	4,5
X A	DE 43 07 539 A (STORZ) 15 September 1994 see column 1, line 63 - column 2, line 49; figures 1-4 ---	16,17,23 10
X A	DE 94 18 094 U (TONTARRA) 12 January 1995 see page 9, line 1 - page 11, line 3; figures 1,2,6,8 ---	16,17,23 10
A	US 5 344 428 A (GRIFFITHS) 6 September 1994 see column 3, line 13 - line 41; figures 1,2 ---	25
A	DE 33 43 867 A (DAUSCH) 13 June 1985 see page 8, paragraph 4 - page 9, paragraph 3; figures 1,2,4,5 -----	10,16

INTERNATIONAL SEARCH REPORT

International application No.
PCT/JP 98/03208

Box I Observations where certain claims were found unsearchable (Continuation of item 1 of first sheet)

This International Search Report has not been established in respect of certain claims under Article 17(2)(a) for the following reasons:

1. Claims Nos.:
because they relate to subject matter not required to be searched by this Authority, namely:

2. Claims Nos.:
because they relate to parts of the International Application that do not comply with the prescribed requirements to such an extent that no meaningful International Search can be carried out, specifically:

3. Claims Nos.:
because they are dependent claims and are not drafted in accordance with the second and third sentences of Rule 6.4(a).

Box II Observations where unity of invention is lacking (Continuation of item 2 of first sheet)

This International Searching Authority found multiple inventions in this international application, as follows:

see additional sheet

1. As all required additional search fees were timely paid by the applicant, this International Search Report covers all searchable claims.
2. As all searchable claims could be searched without effort justifying an additional fee, this Authority did not invite payment of any additional fee.
3. As only some of the required additional search fees were timely paid by the applicant, this International Search Report covers only those claims for which fees were paid, specifically claims Nos.:
4. No required additional search fees were timely paid by the applicant. Consequently, this International Search Report is restricted to the invention first mentioned in the claims; it is covered by claims Nos.:

Remark on Protest

The additional search fees were accompanied by the applicant's protest.

No protest accompanied the payment of additional search fees.

FURTHER INFORMATION CONTINUED FROM PCT/ISA/ 210

This International Searching Authority found multiple (groups of) inventions in this international application, as follows:

1. Claims: 1-9

Treatment tool for operation comprising: an insertion section, an operating section, a treatment section drive unit and an engaging/disengaging member being biased toward the engaging position.

2. Claims: 10-15

Treatment tool for operation comprising: an insertion section, an operating section, a treatment section drive unit and rotary engaging means for restricting the rotation of the drive shaft.

3. Claims: 16-25

Treatment tool for operation comprising: an insertion section, an operating section, a treatment section drive unit and axial direction movement- and rotation restriction means and a rotary operating member.

INTERNATIONAL SEARCH REPORT

Information on patent family members

Intern: al Application No
PCT/JP 98/03208

Patent document cited in search report	A	Publication date	Patent family member(s)	Publication date
US 5593402	A	14-01-1997	NONE	
US 5352235	A	04-10-1994	US 5578052 A	26-11-1996
EP 633002	A	11-01-1995	DE 4323093 A DE 9320869 U	19-01-1995 23-03-1995
EP 738501	A	23-10-1996	JP 8126648 A JP 8280701 A US 5766184 A WO 9614020 A	21-05-1996 29-10-1996 16-06-1998 17-05-1996
WO 9604856	A	22-02-1996	US 5562655 A CA 2173997 A EP 0723426 A	08-10-1996 22-02-1996 31-07-1996
WO 9400059	A	06-01-1994	AU 4648693 A DE 69316894 D DE 69316894 T EP 0647122 A ES 2115068 T JP 7508201 T US 5478351 A US 5499992 A US 5746759 A	24-01-1994 12-03-1998 24-09-1998 12-04-1995 16-06-1998 14-09-1995 26-12-1995 19-03-1996 05-05-1998
WO 9724072	A	10-07-1997	NONE	
DE 9317535	U	27-01-1994	NONE	
US 3911241	A	07-10-1975	NONE	
DE 4307539	A	15-09-1994	DE 9320450 U WO 9420034 A DE 59406139 D EP 0688187 A JP 8507234 T US 5817128 A	01-09-1994 15-09-1994 09-07-1998 27-12-1995 06-08-1996 06-10-1998
DE 9418094	U	12-01-1995	US 5607449 A	04-03-1997
US 5344428	A	06-09-1994	US 5320119 A	14-06-1994
DE 3343867	A	13-06-1985	NONE	