



US00D798028S

(12) **United States Design Patent**  
**Mnisser**

(10) **Patent No.:** **US D798,028 S**

(45) **Date of Patent:** **\*\* Sep. 26, 2017**

(54) **JEANS**

(71) Applicant: **Khadija Mnisser**, Perkiomenville, PA (US)

(72) Inventor: **Khadija Mnisser**, Perkiomenville, PA (US)

(\*\*) Term: **15 Years**

(21) Appl. No.: **29/570,764**

(22) Filed: **Jul. 12, 2016**

(51) **LOC (10) Cl.** ..... **02-02**

(52) **U.S. Cl.**

USPC ..... **D2/742**

(58) **Field of Classification Search**

USPC ..... D2/742, 731, 743

CPC ..... A41D 13/0015; A41D 1/04; A41D 13/00;

A41D 27/00

See application file for complete search history.

(56) **References Cited**

**U.S. PATENT DOCUMENTS**

4,716,596	A *	1/1988	Hofman	.....	A41D 17/00
					2/227
4,766,613	A *	8/1988	Wells	.....	A41D 15/002
					2/227
5,134,726	A *	8/1992	Ross	.....	A41D 1/08
					2/22
5,416,928	A	5/1995	Koenig		
5,608,915	A *	3/1997	Libit	.....	A41D 1/06
					2/228
5,717,999	A	2/1998	Lurry		
5,774,892	A	7/1998	Tisdale et al.		
5,794,267	A	8/1998	Wallace		
5,797,145	A	8/1998	Levinson		
5,815,948	A *	10/1998	Dzielak	.....	A41D 17/00
					2/22
5,864,888	A *	2/1999	Archer	.....	A41D 1/082
					2/227
6,260,209	B1	7/2001	St. Ange		

6,305,027	B2	10/2001	Chou
6,317,894	B1	11/2001	Blechman
6,327,714	B1	12/2001	Koerner
6,336,226	B1	1/2002	Garcia
6,611,964	B2	9/2003	Lipsett et al.
6,769,139	B1	8/2004	Goldkind
6,978,484	B2	12/2005	Donlan et al.
D571,536	S	6/2008	Huen et al.
7,658,158	B2	2/2010	Lee
D616,630	S	6/2010	Christiansen
7,748,058	B2	7/2010	Steitle
D625,490	S	10/2010	Halpern
7,814,574	B2	10/2010	Gheneva

(Continued)

**OTHER PUBLICATIONS**

Garter Pants, posted by Sharif Wear, posted review date Jun. 26, 2013, © sharifwear.com, [online], [site visited May 11, 2017]. Available from Internet, <http://www.sharifwear.com/gothic-bellydance-garter-pants/>.\*

(Continued)

*Primary Examiner* — Caron D Veynar

*Assistant Examiner* — Laura Yu

(74) *Attorney, Agent, or Firm* — Michael J. Feigin, Esq.; Feigin & Fridman

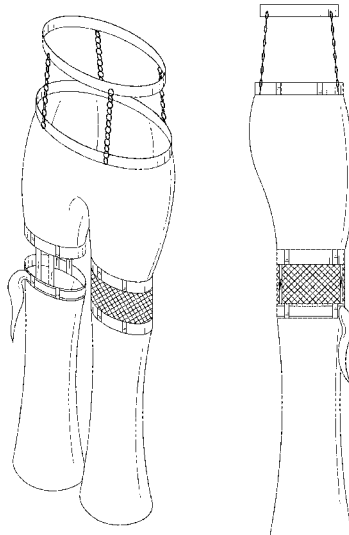
(57) **CLAIM**

The ornamental design for jeans, as shown and described.

**DESCRIPTION**

FIG. 1 shows a top perspective view of the jeans  
FIG. 2 shows a rear view of the jeans  
FIG. 3 shows a left side view of the jeans  
FIG. 4 shows a front view of the jeans  
FIG. 5 shows a right side of the jeans  
FIG. 6 shows a top plan view of the jeans; and,  
FIG. 7 shows a bottom plan view of the jeans.

**1 Claim, 6 Drawing Sheets**



(56)

**References Cited**

## U.S. PATENT DOCUMENTS

7,832,022	B1	11/2010	Peters	
8,091,146	B1	1/2012	Anhalt et al.	
D674,991	S	1/2013	Kelly	
8,402,565	B1	3/2013	Penner	
D692,936	S *	11/2013	Thoma	..... D15/127
D731,779	S *	6/2015	Balisy	..... D2/742
D734,000	S *	7/2015	Boyle	..... D2/742
D743,147	S *	11/2015	Clark	..... D2/742
2006/0107441	A1	5/2006	Houdroge	
2009/0077771	A1 *	3/2009	Baba	..... A41F 17/02 24/72.1
2009/0249527	A1 *	10/2009	Hunte	..... A41D 15/04 2/84
2010/0281601	A1 *	11/2010	Clarke	..... A41D 1/08 2/236
2014/0115753	A1 *	5/2014	Amburgey	..... A41B 11/00 2/227
2016/0206022	A1 *	7/2016	Kroeher	..... A41D 1/06

## OTHER PUBLICATIONS

Belly Dance Pants, posted by World Dance, posted review date Nov. 23, 2012, © blogspot.com, [online], [site visited May 11, 2017]. Available from Internet, <<http://hellodancewithme.blogspot.com/2012/11/belly-dance-pants.html>>.\*

\* cited by examiner

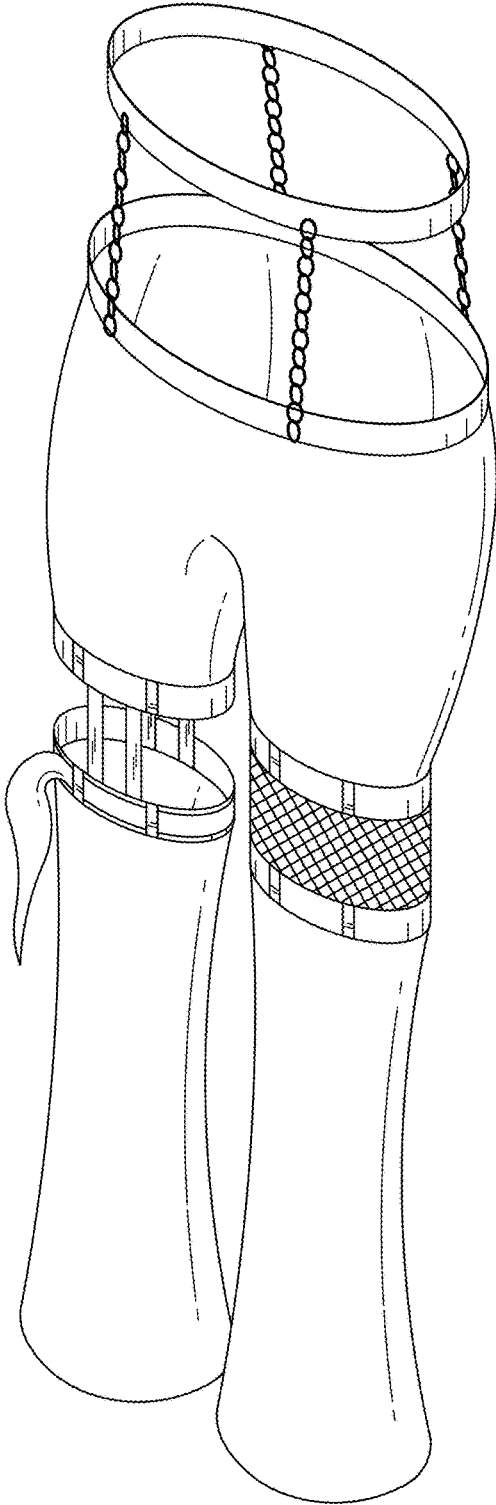


FIG. 1

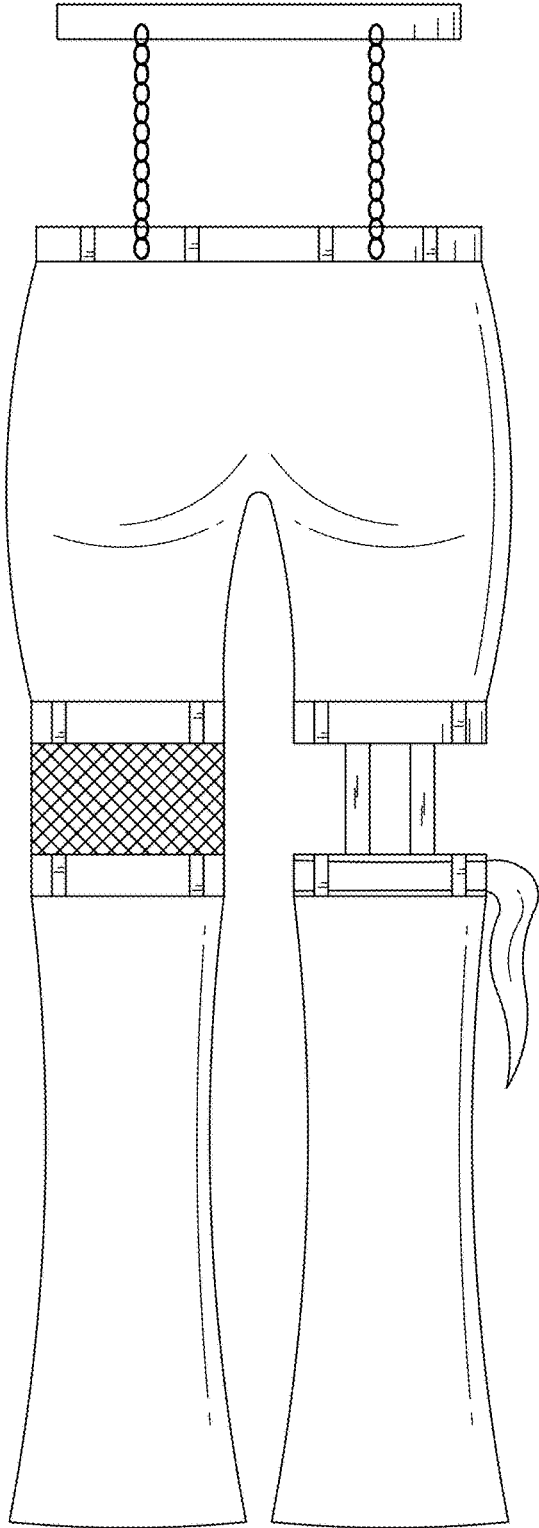


FIG. 2

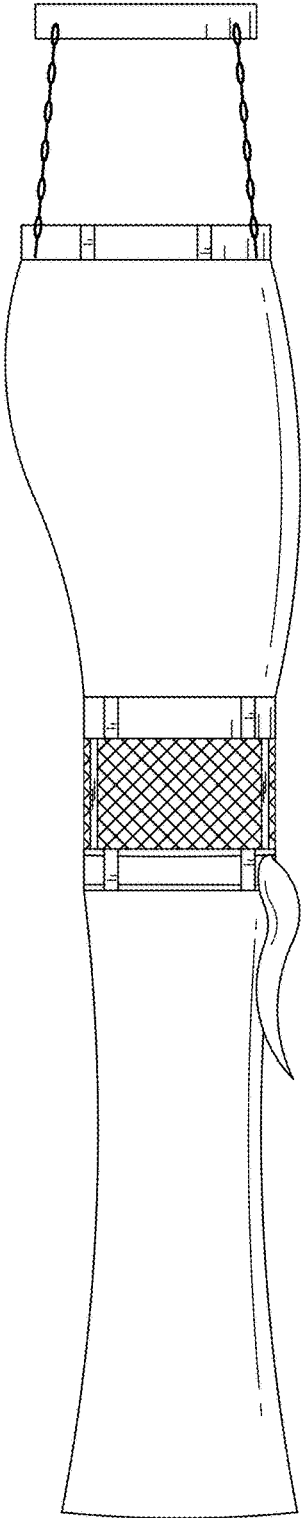


FIG. 3

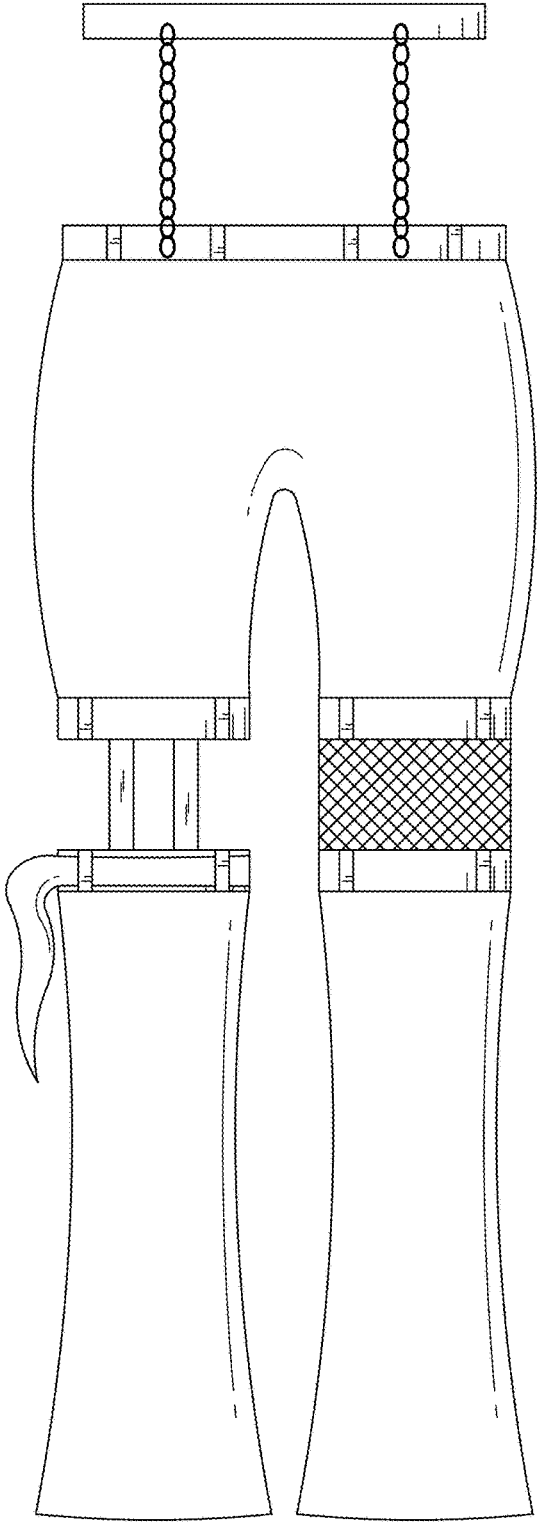


FIG. 4

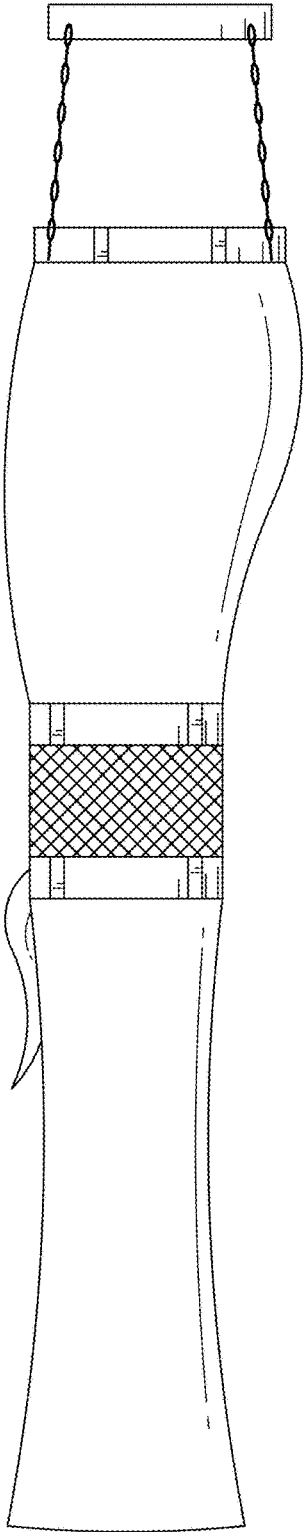


FIG. 5

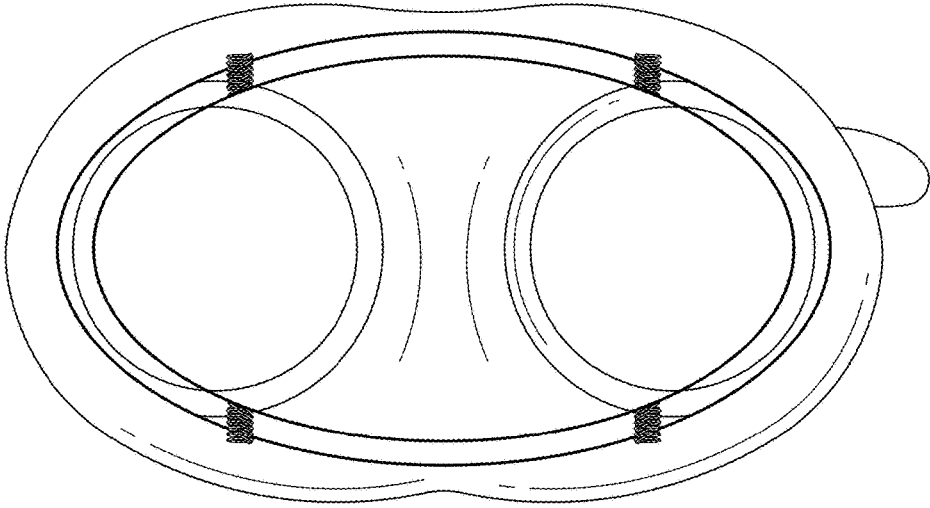


FIG. 6

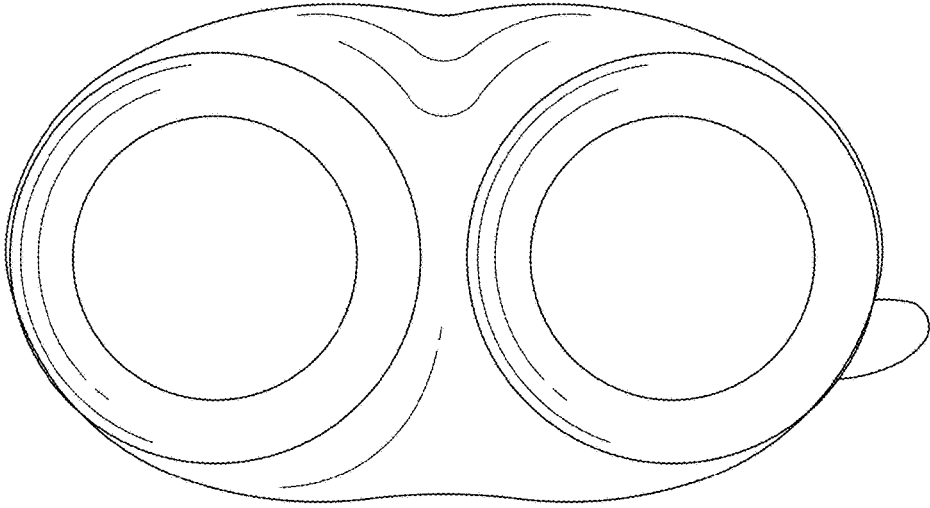


FIG. 7