



- (51) International Patent Classification: *A61J 1/20* (2006.01)
- (21) International Application Number: PCT/US2014/023941
- (22) International Filing Date: 12 March 2014 (12.03.2014)
- (25) Filing Language: English
- (26) Publication Language: English
- (30) Priority Data:

61/787,674	15 March 2013 (15.03.2013)	US
61/895,168	24 October 2013 (24.10.2013)	US
61/895,182	24 October 2013 (24.10.2013)	US
61/895,187	24 October 2013 (24.10.2013)	US
- (71) Applicant: **BECTON DICKINSON AND COMPANY LIMITED** [IE/IE]; Pottery Road, Co. Dublin, Dun Laoghaire (IE).
- (72) Inventor; and
- (71) Applicant (for VC only): **MARICI, Paul, Paia** [US/US]; 38 Hedgerow Street, Piscataway, New Jersey 08854 (US).
- (72) Inventor: **IVOSEVIC, Milan**; 40 Cutlass Road, Kinnelon, New Jersey 07405 (US).
- (74) Agents: **MILES, Kirk, M.** et al.; The Webb Law Firm, One Gateway Center, 420 Fort Duquesne Boulevard, Suite 1200, Pittsburgh, Pennsylvania 15222 (US).
- (81) Designated States (unless otherwise indicated, for every kind of national protection available): AE, AG, AL, AM, AO, AT, AU, AZ, BA, BB, BG, BH, BN, BR, BW, BY, BZ, CA, CH, CL, CN, CO, CR, CU, CZ, DE, DK, DM, DO, DZ, EC, EE, EG, ES, FI, GB, GD, GE, GH, GM, GT, HN, HR, HU, ID, IL, IN, IR, IS, JP, KE, KG, KN, KP, KR, KZ, LA, LC, LK, LR, LS, LT, LU, LY, MA, MD, ME, MG, MK, MN, MW, MX, MY, MZ, NA, NG, NI, NO, NZ, OM, PA, PE, PG, PH, PL, PT, QA, RO, RS, RU, RW, SA, SC, SD, SE, SG, SK, SL, SM, ST, SV, SY, TH, TJ, TM, TN, TR, TT, TZ, UA, UG, US, UZ, VC, VN, ZA, ZM, ZW.
- (84) Designated States (unless otherwise indicated, for every kind of regional protection available): ARIPO (BW, GH, GM, KE, LR, LS, MW, MZ, NA, RW, SD, SL, SZ, TZ, UG, ZM, ZW), Eurasian (AM, AZ, BY, KG, KZ, RU, TJ, TM), European (AL, AT, BE, BG, CH, CY, CZ, DE, DK, EE, ES, FI, FR, GB, GR, HR, HU, IE, IS, IT, LT, LU, LV, MC, MK, MT, NL, NO, PL, PT, RO, RS, SE, SI, SK, SM, TR), OAPI (BF, BJ, CF, CG, CI, CM, GA, GN, GQ, GW, KM, ML, MR, NE, SN, TD, TG).

[Continued on next page]

(54) Title: SYSTEM FOR CLOSED TRANSFER OF FLUIDS

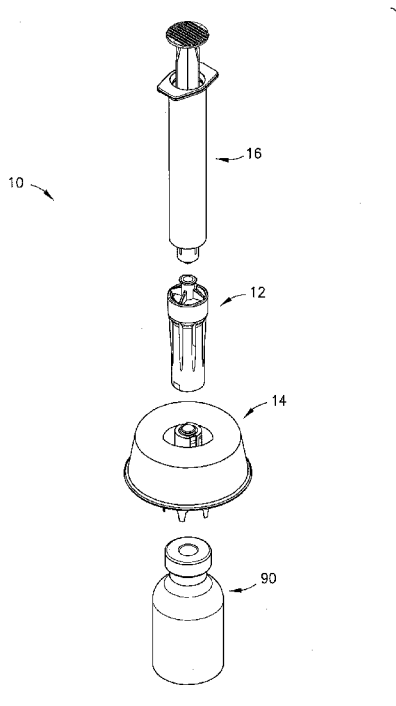


FIG. 1A

(57) Abstract: A system for the closed transfer of fluids that provides substantially leak-proof sealing and pressure equalization during engagement of a cannula with a vial, during transfer of a substance from a vial chamber to a barrel chamber via the cannula, and during disengagement of the cannula from the vial is disclosed. The leak-proof sealing of the system substantially prevents leakage of both air and liquid during use of the system. The system of the present disclosure also permits pressure equalization between a vial and the system when the system is attached to the vial. The system is compatible with a needle and syringe assembly for accessing a medication contained within a vial for administering the medication to a patient.

WO 2014/150674 A3



Published:

(88) Date of publication of the international search report:

22 January 2015

- *with international search report (Art. 21(3))*
- *before the expiration of the time limit for amending the claims and to be republished in the event of receipt of amendments (Rule 48.2(h))*

INTERNATIONAL SEARCH REPORT

International application No
PCT/US2014/023941

A. CLASSIFICATION OF SUBJECT MATTER
INV. A61J1/20
ADD.

According to International Patent Classification (IPC) or to both national classification and IPC

B. FIELDS SEARCHED

Minimum documentation searched (classification system followed by classification symbols)
A61J

Documentation searched other than minimum documentation to the extent that such documents are included in the fields searched

Electronic data base consulted during the international search (name of data base and, where practicable, search terms used)

EPO-Internal, WPI Data

C. DOCUMENTS CONSIDERED TO BE RELEVANT

Category*	Citation of document, with indication, where appropriate, of the relevant passages	Relevant to claim No.
X	US 4 564 054 A (GUSTAVSSON BENGT [SE]) 14 January 1986 (1986-01-14) column 5, line 5 - column 6, line 25; figures 10,11,14	1-22
X	----- US 2007/079894 A1 (KRAUS MENACHEM [IL] ET AL) 12 April 2007 (2007-04-12) figures 9A-9C,40A-40B,63A,63B	1,5, 7-11, 16-18, 23-26
X	----- US 4 673 404 A (GUSTAVSSON BENGT [SE]) 16 June 1987 (1987-06-16)	19-22
A	the whole document	2-5, 12-14
	----- -/--	

Further documents are listed in the continuation of Box C. See patent family annex.

* Special categories of cited documents :

"A" document defining the general state of the art which is not considered to be of particular relevance	"T" later document published after the international filing date or priority date and not in conflict with the application but cited to understand the principle or theory underlying the invention
"E" earlier application or patent but published on or after the international filing date	"X" document of particular relevance; the claimed invention cannot be considered novel or cannot be considered to involve an inventive step when the document is taken alone
"L" document which may throw doubts on priority claim(s) or which is cited to establish the publication date of another citation or other special reason (as specified)	"Y" document of particular relevance; the claimed invention cannot be considered to involve an inventive step when the document is combined with one or more other such documents, such combination being obvious to a person skilled in the art
"O" document referring to an oral disclosure, use, exhibition or other means	"&" document member of the same patent family
"P" document published prior to the international filing date but later than the priority date claimed	

Date of the actual completion of the international search 18 June 2014	Date of mailing of the international search report 08/12/2014
---	--

Name and mailing address of the ISA/ European Patent Office, P.B. 5818 Patentlaan 2 NL - 2280 HV Rijswijk Tel. (+31-70) 340-2040, Fax: (+31-70) 340-3016	Authorized officer Godot, Thierry
--	--

INTERNATIONAL SEARCH REPORT

International application No
PCT/US2014/023941

C(Continuation). DOCUMENTS CONSIDERED TO BE RELEVANT

Category*	Citation of document, with indication, where appropriate, of the relevant passages	Relevant to claim No.
A,P	WO 2013/115730 A1 (BECTON DICKINSON HOLDINGS PTE LTD [SG]) 8 August 2013 (2013-08-08) the whole document -----	1,5,8,9

INTERNATIONAL SEARCH REPORT

International application No.
PCT/US2014/023941

Box No. II Observations where certain claims were found unsearchable (Continuation of item 2 of first sheet)

This international search report has not been established in respect of certain claims under Article 17(2)(a) for the following reasons:

1. Claims Nos.:
because they relate to subject matter not required to be searched by this Authority, namely:

2. Claims Nos.:
because they relate to parts of the international application that do not comply with the prescribed requirements to such an extent that no meaningful international search can be carried out, specifically:

3. Claims Nos.:
because they are dependent claims and are not drafted in accordance with the second and third sentences of Rule 6.4(a).

Box No. III Observations where unity of invention is lacking (Continuation of item 3 of first sheet)

This International Searching Authority found multiple inventions in this international application, as follows:

see additional sheet

1. As all required additional search fees were timely paid by the applicant, this international search report covers all searchable claims.

2. As all searchable claims could be searched without effort justifying an additional fees, this Authority did not invite payment of additional fees.

3. As only some of the required additional search fees were timely paid by the applicant, this international search report covers only those claims for which fees were paid, specifically claims Nos.:

4. No required additional search fees were timely paid by the applicant. Consequently, this international search report is restricted to the invention first mentioned in the claims; it is covered by claims Nos.:

1-26

Remark on Protest

- The additional search fees were accompanied by the applicant's protest and, where applicable, the payment of a protest fee.
- The additional search fees were accompanied by the applicant's protest but the applicable protest fee was not paid within the time limit specified in the invitation.
- No protest accompanied the payment of additional search fees.

FURTHER INFORMATION CONTINUED FROM PCT/ISA/ 210

This International Searching Authority found multiple (groups of) inventions in this international application, as follows:

1. claims: 1-26

System comprising a cannula, a syringe adapter and a second container adapter

2. claims: 27-33

System comprising a vial adapter and a packaging member

INTERNATIONAL SEARCH REPORT

Information on patent family members

International application No PCT/US2014/023941

Patent document cited in search report	Publication date	Patent family member(s)	Publication date		
US 4564054	A	14-01-1986	AT 57612 T 15-11-1990		
			AU 575814 B2 11-08-1988		
			CA 1215945 A1 30-12-1986		
			DE 3483475 D1 29-11-1990		
			DK 23885 A 20-03-1985		
			EP 0126718 A2 28-11-1984		
			EP 0165926 A1 02-01-1986		
			FI 852454 A 20-06-1985		
			NO 850234 A 18-01-1985		
			NZ 207354 A 29-02-1988		
			US 4564054 A 14-01-1986		
			WO 8404673 A1 06-12-1984		

		US 2007079894	A1	12-04-2007	CA 2541615 A1 12-05-2005
	CA 2792014 A1 12-05-2005				
	CN 1886295 A 27-12-2006				
	DK 2463201 T3 12-05-2014				
	EP 1687203 A2 09-08-2006				
	EP 2463201 A1 13-06-2012				
	EP 2664550 A1 20-11-2013				
	ES 2461190 T3 19-05-2014				
	HK 1094563 A1 24-12-2010				
	IL 174838 A 30-06-2010				
	JP 4740146 B2 03-08-2011				
	JP 4832585 B2 07-12-2011				
	JP 4927977 B2 09-05-2012				
	JP 2007509691 A 19-04-2007				
	JP 2011015982 A 27-01-2011				
	JP 2011019924 A 03-02-2011				
	PT 2463201 E 09-05-2014				
	RU 2355377 C2 20-05-2009				
	SI 2463201 T1 30-06-2014				
	US 2007079894 A1 12-04-2007				
	US 2012123381 A1 17-05-2012				
	US 2013231630 A1 05-09-2013				
	US 2014020792 A1 23-01-2014				
	WO 2005041846 A2 12-05-2005				

US 4673404	A	16-06-1987	AT 36955 T 15-09-1988		
			AU 569900 B2 25-02-1988		
			BR 8407302 A 25-03-1986		
			DE 3473823 D1 13-10-1988		
			DK 23985 A 12-03-1985		
			EP 0176511 A1 09-04-1986		
			FI 852455 A 20-06-1985		
			JP H0550293 B2 28-07-1993		
			JP S60501294 A 15-08-1985		
			JP S60501342 A 22-08-1985		
			NO 850235 A 18-01-1985		
			SE 434700 B 13-08-1984		
			US 4673404 A 16-06-1987		
			WO 8404672 A1 06-12-1984		

WO 2013115730	A1	08-08-2013	SG 192311 A1 30-08-2013		
			WO 2013115730 A1 08-08-2013		
