

(19) World Intellectual Property Organization
International Bureau



(43) International Publication Date
16 July 2009 (16.07.2009)

PCT

(10) International Publication Number
WO 2009/088853 A3

- (51) International Patent Classification:
A45C 5/03 (2006.01) A45C 13/26 (2006.01)
A45C 5/04 (2006.01)
- (21) International Application Number:
PCT/US2008/088528
- (22) International Filing Date:
30 December 2008 (30.12.2008)
- (25) Filing Language: English
- (26) Publication Language: English
- (30) Priority Data:
11/967,710 31 December 2007 (31.12.2007) US
- (71) Applicant (for all designated States except US): **HL OPERATING CORP.** [US/US]; 1301 W. Baddour Parkway, Lebanon, TN 37087 (US).
- (72) Inventors; and
- (75) Inventors/Applicants (for US only): **DAVIS, Robert, Phillip** [US/US]; 166 Richland Court, Vidalia, GA 30474 (US). **HINMAN, Ken** [US/US]; 608 Starlit Road, Nashville, TN 37205 (US). **REKUC, Richard** [US/US]; 2 Halls Mill Road, Asbury, NJ 08802 (US).
- (74) Agents: **CHAMBERLAIN, Jeffrey, M.** et al.; Duane Morris LLP, 30 S. 17th Street, Philadelphia, PA 19103-4196 (US).

- (81) Designated States (unless otherwise indicated, for every kind of national protection available): AE, AG, AL, AM, AO, AT, AU, AZ, BA, BB, BG, BH, BR, BW, BY, BZ, CA, CH, CN, CO, CR, CU, CZ, DE, DK, DM, DO, DZ, EC, EE, EG, ES, FI, GB, GD, GE, GH, GM, GT, HN, HR, HU, ID, IL, IN, IS, JP, KE, KG, KM, KN, KP, KR, KZ, LA, LC, LK, LR, LS, LT, LU, LY, MA, MD, ME, MG, MK, MN, MW, MX, MY, MZ, NA, NG, NI, NO, NZ, OM, PG, PH, PL, PT, RO, RS, RU, SC, SD, SE, SG, SK, SL, SM, ST, SV, SY, TJ, TM, TN, TR, TT, TZ, UA, UG, US, UZ, VC, VN, ZA, ZM, ZW.
- (84) Designated States (unless otherwise indicated, for every kind of regional protection available): ARIPO (BW, GH, GM, KE, LS, MW, MZ, NA, SD, SL, SZ, TZ, UG, ZM, ZW), Eurasian (AM, AZ, BY, KG, KZ, MD, RU, TJ, TM), European (AT, BE, BG, CH, CY, CZ, DE, DK, EE, ES, FI, FR, GB, GR, HR, HU, IE, IS, IT, LT, LU, LV, MC, MT, NL, NO, PL, PT, RO, SE, SI, SK, TR), OAPI (BF, BJ, CF, CG, CI, CM, GA, GN, GQ, GW, ML, MR, NE, SN, TD, TG).

Published:

- with international search report (Art. 21(3))
- before the expiration of the time limit for amending the claims and to be republished in the event of receipt of amendments (Rule 48.2(h))

(88) Date of publication of the international search report:
24 September 2009

(54) Title: FLAT PACKING SUITCASE SYSTEM

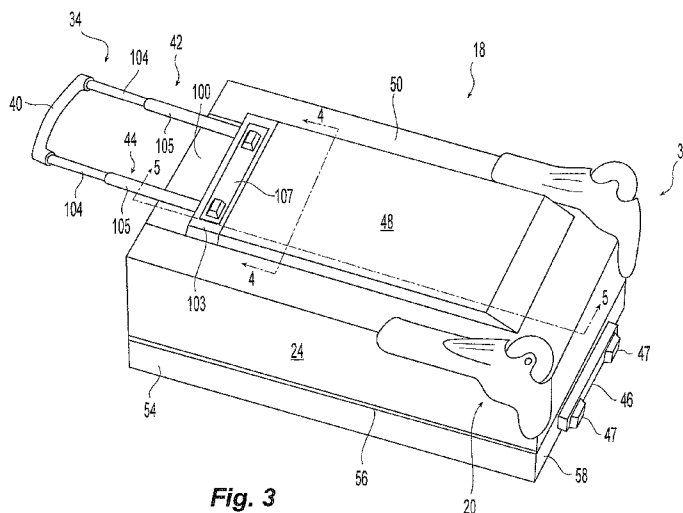


Fig. 3

(57) Abstract: An improved design for a rolling suitcase having a retractable handle assembly is disclosed. The design includes a multi-piece molded shell having opposing side and end walls and a bottom wall, which together form a packing area. The telescoping tubes of the handle are located outside the packing area to maximize the packing area, and also to provide a flat bottom surface to minimize wrinkling of packed articles. The wheel skids are moved to the outer corners of the suitcase to minimize intrusion into the packing area. The tubes are made from fiber reinforced polymer for enhanced strength, and are concealed from view by a covering envelope. The handle assembly and wheel skids attach to the shell in a manner that enhances the structural strength and rigidity of the suitcase. Wear points on the handle assembly are provided with removable wear members made from abrasion-resistant material.



WO 2009/088853 A3

A. CLASSIFICATION OF SUBJECT MATTER*A45C 5/03(2006.01)i, A45C 5/04(2006.01)i, A45C 13/26(2006.01)i*

According to International Patent Classification (IPC) or to both national classification and IPC

B. FIELDS SEARCHED

Minimum documentation searched (classification system followed by classification symbols)

IPC A45C

Documentation searched other than minimum documentation to the extent that such documents are included in the fields searched

Korean Utility models and applications for Utility models since 1975
Japanese Utility models and application for Utility models since 1975

Electronic data base consulted during the international search (name of data base and, where practicable, search terms used)

eKOMPASS(KIPO internal)

C. DOCUMENTS CONSIDERED TO BE RELEVANT

Category*	Citation of document, with indication, where appropriate, of the relevant passages	Relevant to claim No.
X	US 6,575,493 B1 (LOWENSTEIN, Frank) 10 June 2003 See column 4, lines 49-56; column 1, lines 30-33; figures 6-7; column 5, lines 3-12.	1,7,8,10,12
A	US 5,431,263 A (NORDSTROM, Mark) 11 July 1995 See figures 1-10; abstract.	1-20
A	US 2002/0125088 A1 (NYKOLUK, Cory O.) 12 September 2002 See figure 1; claim 1.	1-20
A	WO 1993/18684 A1 (SAMSONITE CO.) 30 September 1993 See figures 1-8; abstract.	1-20
A	US 2007/0089952 A1 (HERBST, Walter, et al.) 26 April 2007 See figures 1-6; abstract.	1-20

 Further documents are listed in the continuation of Box C. See patent family annex.

* Special categories of cited documents:

"A" document defining the general state of the art which is not considered to be of particular relevance

"E" earlier application or patent but published on or after the international filing date

"L" document which may throw doubts on priority claim(s) or which is cited to establish the publication date of citation or other special reason (as specified)

"O" document referring to an oral disclosure, use, exhibition or other means

"P" document published prior to the international filing date but later than the priority date claimed

"T" later document published after the international filing date or priority date and not in conflict with the application but cited to understand the principle or theory underlying the invention

"X" document of particular relevance; the claimed invention cannot be considered novel or cannot be considered to involve an inventive step when the document is taken alone

"Y" document of particular relevance; the claimed invention cannot be considered to involve an inventive step when the document is combined with one or more other such documents, such combination being obvious to a person skilled in the art

"&" document member of the same patent family

Date of the actual completion of the international search

30 JULY 2009 (30.07.2009)

Date of mailing of the international search report

31 JULY 2009 (31.07.2009)

Name and mailing address of the ISA/KR

Korean Intellectual Property Office
Government Complex-Daejeon, 139 Seonsa-ro, Seo-
gu, Daejeon 302-701, Republic of Korea

Facsimile No. 82-42-472-7140

Authorized officer

LEE, Won Jae

Telephone No. 82-42-481-5620



INTERNATIONAL SEARCH REPORT

Information on patent family members

International application No.

PCT/US2008/088528

Patent document cited in search report	Publication date	Patent family member(s)	Publication date
US 06575493 B1	10.06.2003	AU 705141 B3	13.05.1999
		AU 1997-18868 B3	24.02.1997
		CN 2383296 Y0	14.06.2000
		CN 2383296 Y	14.06.2000
		KR 20-1999-0042178 U	27.12.1999
US 05431263 A	11.07.1995	US 05515954 A	14.05.1996
		US 05431263 A	11.07.1995
		US 05515954 A	14.05.1996
US 2002-0125088 A1	12.09.2002	US 06612411 B2	02.09.2003
		WO 2002-071887 A1	19.09.2002
WO 1993-018684 A1	30.09.1993	JP 02-736824 B2	16.01.1998
		JP 2736824 B2	02.04.1998
		US 05253739 A	19.10.1993
		US 05253739 A	19.10.1993
US 2007/0089952 A1	26.04.2007	NONE	