



(22) Date de dépôt/Filing Date: 1994/08/02

(41) Mise à la disp. pub./Open to Public Insp.: 1996/02/03

(45) Date de délivrance/Issue Date: 2005/01/11

(51) Cl.Int.⁵/Int.Cl.⁵ B27B 5/00

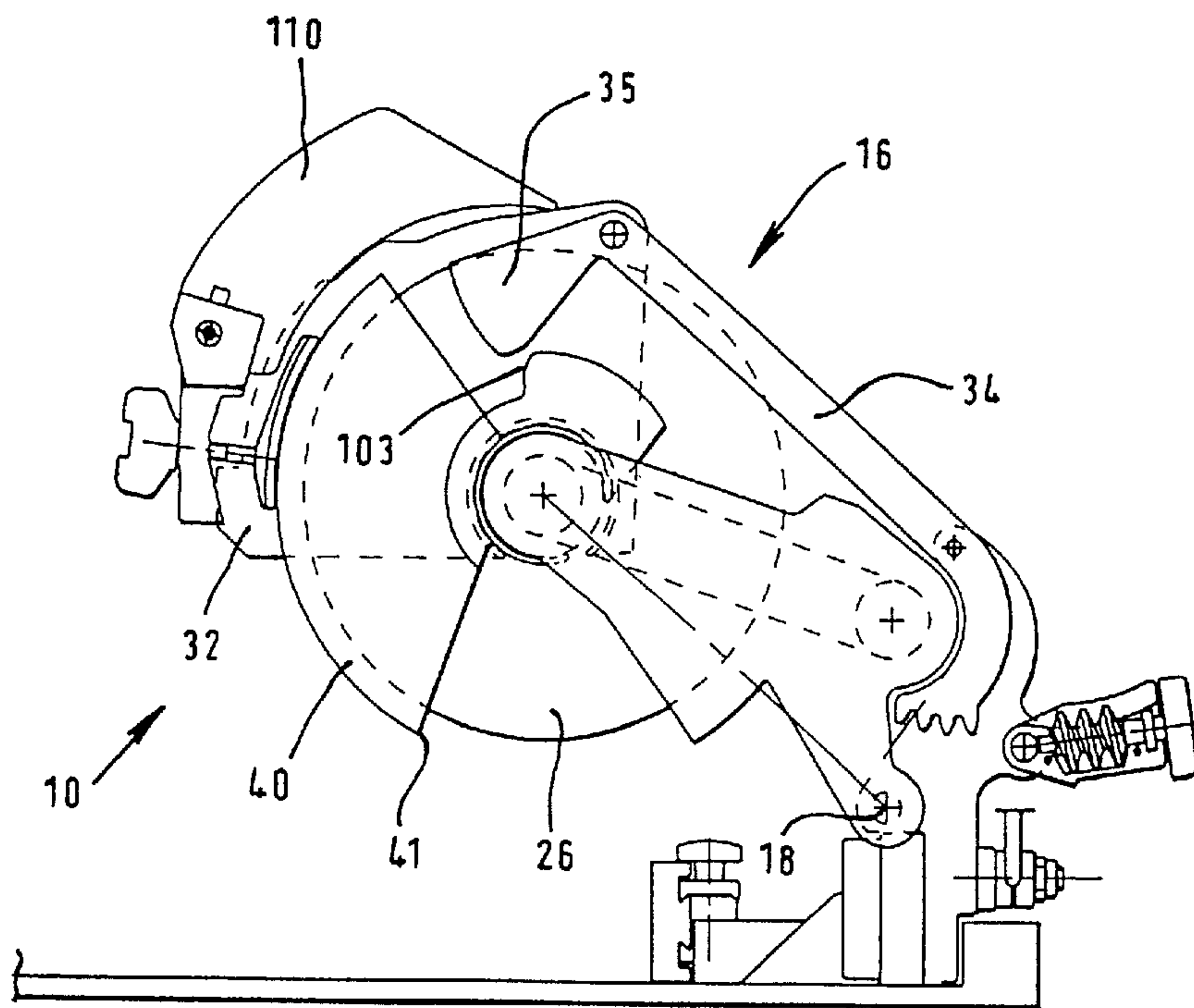
(72) Inventeur/Inventor:
GARUGLIERI, ANDREA, IT

(73) Propriétaire/Owner:
BLACK & DECKER INC., US

(74) Agent: SIM & MCBURNEY

(54) Titre : SCIE D'ETABLI AVEC MONTAGE A PARALLELOGRAMME

(54) Title: CHOP/TABLE SAW WITH PARALLELOGRAM ARRANGEMENT



(57) Abrégé/Abstract:

A circular saw assembly comprises a frame and a table mounted in the frame that is movable between a chop saw and a table saw position in which the depth of the cut may be adjusted. The assembly has a parallelogram lever for permitting the performance of plunge cuts on workpieces when the table is in chop saw position. An upper guard for the blade is pivotable about the parallelogram lever during plunge cuts in the chop saw position so that its orientation to the table is maintained. A rack extends from the end of the parallelogram lever opposite the upper guard so that, when the assembly is converted to table saw position, the rack engages a worm gear. The worm gear is adjustable to permit via the parallelogram lever an adjustment of the cut depth of the blade while maintaining the orientation of the upper guard to the table.

ABSTRACT

A circular saw assembly comprises a frame and a table mounted in the frame that is movable between a chop saw and a table saw position in which
5 the depth of the cut may be adjusted. The assembly has a parallelogram lever for permitting the performance of plunge cuts on workpieces when the table is in chop saw position. An upper guard for the blade is pivotable about the parallelogram lever during plunge cuts in the chop saw position so that its orientation to the table is maintained. A rack extends from the end of the
10 parallelogram lever opposite the upper guard so that, when the assembly is converted to table saw position, the rack engages a worm gear. The worm gear is adjustable to permit via the parallelogram lever an adjustment of the cut depth of the blade while maintaining the orientation of the upper guard to the table.

CHOP/TABLE SAW WITH PARALLELOGRAM
ARRANGEMENT

This invention relates to circular saws of the type comprising a table, a pivot member on the table and a saw assembly pivoted about
5 a pivot axis with respect to said pivot member, whereby said saw assembly carrying a motor driven blade can be plunged into a workpiece supported on the table.

Such saws are known and described in published patent documents such as EP 0133666 and EP 0450400. These saws are
10 useful and have numerous possibilities for enhancement to improve the capacity, capability and efficiency, not to mention cleanliness and safety of their arrangements. On the other hand, all these features add complexity and cost, and may render the saw user unfriendly.

15 The present invention particularly relates to saws of the type described above but which in addition have the table mounted in a frame such that the table may be inverted, as by pivoting about an axis, so that the saw assembly is then beneath the table. The table is in addition provided with a slot so that the blade can protrude
20 through the slot to render the saw a bench or table saw. Such saws are known and described in DE 1628992 and EP 0502350.

Both EP 0133666 and EP 0450400 mentioned above describe saws in which the saw assembly comprises an upper guard and a lower guard for the blade. The upper guard is formed from the
25 housing of the assembly and permanently covers a top part of the

blade. A bottom part of the blade is covered by the lower guard but this must be withdrawn in use so that the blade is exposed when required to perform cutting operations.

A handle is disposed on the upper guard by means of which a user can pivot the saw assembly up and down to perform cutting operations on a workpiece supported on the table.

The lower guard may be opened entirely by an actuating lever disposed on said handle. Alternatively the guard may be opened automatically by pivoting of the saw assembly, there being provided a connection between the guard and the pivot member for this purpose. A further alternative is that the guard may be opened partly by either of these arrangements and only further opened by direct contact with a workpiece.

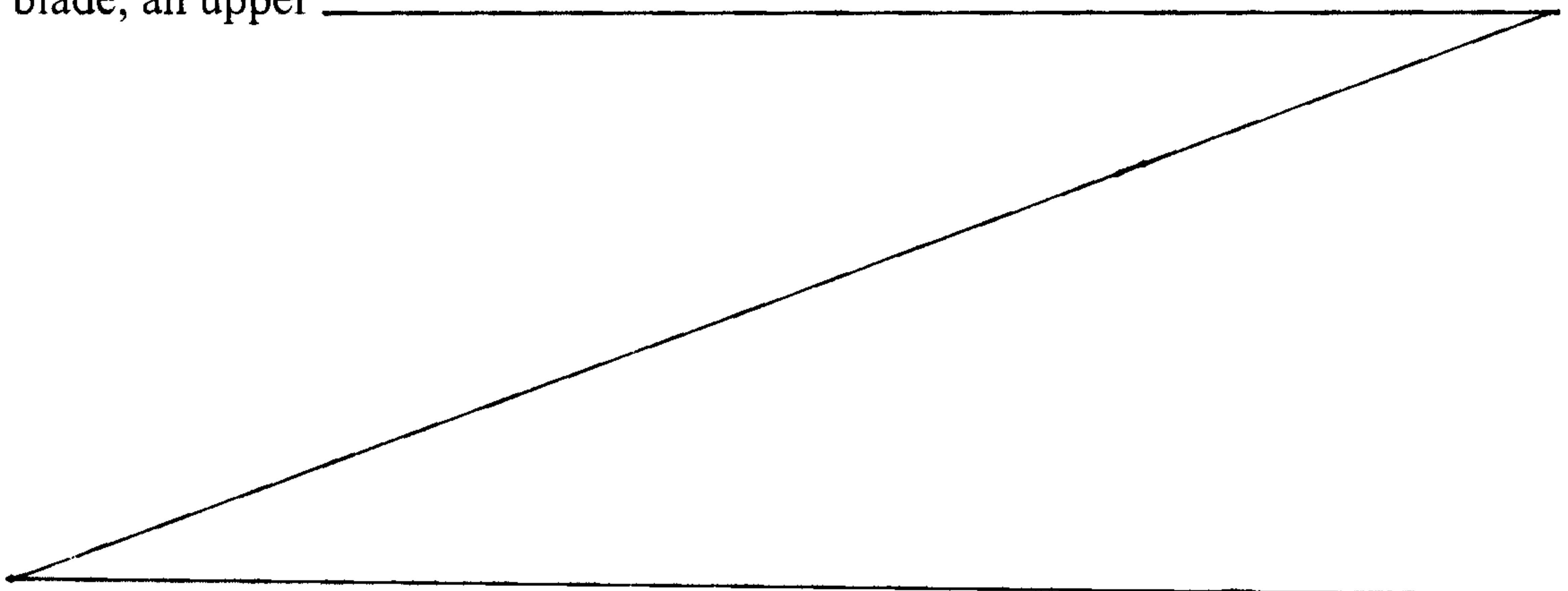
Although not explicitly described in EP 0450400, the saw to which that specification relates employs a parallelogram lever arrangement. The upper guard is pivoted with respect to the saw assembly. A parallelogram lever extends between the upper guard and the pivot member and lies parallel a line joining the pivot axis of the guard to the assembly and the pivot axis of the assembly to the pivot member. This arrangement serves to maintain the orientation of the upper guard with respect to the pivot member and hence to the table. Apart from a minor benefit when in the chop saw mode the primary benefit is provided when the saw is in its bench saw mode. This is because a riving knife is attached to the upper guard when the saw is in bench saw mode and it is important that the tip of the riving knife is almost level with the top of the saw blade. It needs to be

above the blade where the workpiece being cut is to be entirely separated, and in which case a guard is usually mounted on the knife above the level of the blade, or just below the level of the blade when so-called pocket cuts are made, that is to say, grooves are cut in the workpiece. In any event, the orientation of the knife with respect to the blade should remain constant for all positions of the blade and it is for this reason that a parallelogram arrangement is frequently employed.

It is of course necessary in bench saw mode of the saw to provide for different positions of the blade with respect to the table, that is to say, the extent to which it protrudes through the slot in the table and hence the depth of cut of the blade. It is well known that the blade should protrude through the slot only sufficiently to leave a small amount of blade above the workpiece (assuming complete separation of the workpiece is required) so that the maximum number of teeth on the blade are in contact with the workpiece at any one time. For pocket cuts, a more precise adjustment of the depth of cut is required.

It is an object of an aspect of the present invention to provide a convenient means of adjusting the depth of cut of a saw of the types described above.

In accordance with this invention there is provided a saw comprising a frame, a table mounted in the frame and movable between two positions, a pivot member on a first side of the table, a saw assembly pivoted with respect to the pivot member, a blade journaled in said assembly, a motor to drive the blade, an upper _____



guard to cover an upper portion of the blade, which upper guard is pivoted to said assembly, a slot in the table through which said blade is adapted to protrude, in a first of said two positions of the table the saw assembly being above the table, the saw thereby forming a chop
5 saw for performing plunge cuts on workpieces supported on said first side of the table, and, in a second of said two positions of the table, the saw assembly being below the table and the saw thereby forming a bench saw for performing cuts on workpieces passed through the blade on a second opposite side of the table, a
10 parallelogram lever having a pivotal connection to the pivot member and upper guard whereby the orientation of said upper guard with respect to said pivot member is maintained, and an extension of said parallelogram lever which, when the saw assembly is in its second position, is adapted to co-operate with said pivot member through an
15 adjustment means so that the position of said saw assembly with respect to the pivot member is controlled by said adjustment means.

Thus the parallelogram lever has here a dual function of maintaining the orientation of the upper guard with respect to pivot member, and hence the table, and, when in bench saw mode, to
20 control the depth of cut of the blade because its own movement is controlled by the adjustment means.

Preferably the adjustment means comprises a worm gear rotationally mounted in a carrier member, which carrier member is adjustably connected, preferably pivoted, to said pivot member, and
25 said extension has a rack to engage said worm gear, rotation of the worm gear when engaged with said rack serving to pivot said

parallelogram lever about its pivot to the pivot member to alter the depth of protrusion of the blade through the slot.

Means must be provided in all reasonable circumstances to bias the saw assembly to a raised, upright position when it is at rest in chop saw mode so that the user is not required to lift the not-insignificant weight of the saw assembly after completing a plunge cut. Such means is normally in the form of a powerful spring.

However, a problem arises when the table is flipped-over to convert the saw into a bench saw. Now the weight of the saw assembly acts in the opposite direction with respect to the table, whereas the spring or other biasing means usually acts in the same sense. Moreover, in the bench saw mode, the saw assembly (before the table is flipped-over) is plunged into the table so that the blade protrudes right through the slot. This serves to tension the spring even more and further exacerbates a problem found with depth of cut adjustments. That is to say, not only must the adjustment means be able to accommodate the weight of the saw assembly, but it must also cope with the extra force imparted by the spring means, which now acts in the same direction as the weight of the saw assembly.

The adjustment arrangement provided by the present invention is convenient for the user to operate. In chop saw mode, it is usual for the pivot member to be at the back of the saw leaving the "mouth" of the saw (ie the gap between the saw assembly and the table) facing the front. However, if the saw is flipped-over to bench saw mode, the pivot member is now at the front of the saw, under the table. The adjustment means is thus easily accessible to the user at the

front of the saw. However, besides access, it is desirable to have a knob or handle which, with only a few turns, effects the adjustment between minimum and maximum depth of cut.

However, if the weight of the saw and the effect of the spring
5 biassing means (in its most tensioned position) must be accommodated, this usually means that a fine, that is to say highly geared, form of adjustment must be employed because a coarse form will (in one direction) be difficult to operate, because the saw assembly must be raised against its own weight and the pressure of
10 the spring biassing, and may be precipitous in the other direction.

Thus the invention provides a further refinement in that the saw has spring means between the pivot member and saw assembly to bias the saw assembly away from the table, and wherein the spring means acts on an intermediate element disposed between the pivot
15 member and saw assembly, the intermediate element having two dispositions, in a first of which dispositions said spring means supports the weight of said saw assembly when the table in its first position and in a second of which dispositions said bias is substantially removed.

20 Thus in the bench saw mode of use of the saw according to the present invention, the additional effect of the spring means on the depth of cut adjustment is removed so that a coarser form of adjustment may be employed than would otherwise be possible.

Said intermediate element may comprise a toggle lever pivoted
25 to the pivot member which in said first disposition tensions said spring means and, in pivoting to said second disposition, releases

said tension and pivots said carrier into engagement with said extension.

Said carrier and toggle lever may be pivoted about the same axis in said pivot member.

5 Said spring means may comprise a torsion spring around the pivot axis of the saw assembly in the pivot member, one end of said spring pressing against the saw assembly and the other end engaging said toggle lever. An intermediate lever may be disposed between said other end and said toggle lever.

10 The invention is further described hereinafter, by way of example only, with reference to the accompanying drawings, in which:-

Figures 1a to d are side views in different positions of a saw according to the present invention in chop saw mode;

15 Figures 2a and b are side views in two different positions of the saw of Figure 1 in bench saw mode;

Figures 3a and b are side views of a spring release device according to the present invention in first and second dispositions thereof respectively;

20 Figure 3c is a view in the direction of arrow C in Figure 3b;

Figures 4a and b are views in the direction of arrow IV in Figure 3b;

Figures 5a and b are sections along the lines A-A and B-B in Figures 4a and 4b respectively; and,

25 Figure 6 is a sectional view on the line VI-VI in Figure 1a

Referring first to Figure 1a, a saw 10 according to the invention comprises a table 12 having a pivot member 14 to which a saw assembly 16 is pivoted about axis 18.

The saw assembly 16 comprises a housing 20 mounting a motor 22 having a rotation axis 24. The motor 22 drives a circular saw blade 26 mounted in the housing 20 about axis 28 through a belt 30 drive connection.

An upper guard 32 is pivotally mounted in the housing 20 about axis 28. It is connected to the pivot member 14 by parallelogram lever 34 pivoted at both ends about axes 36,38. Lines joining axes 36,38 and 18,28 are parallel.

A lower guard 40 is likewise pivotally mounted in the housing 20 about axis 28. It is opened by means of an actuator lever (not shown) to expose the blade 26. When this is done, the assembly 16 is capable of pivoting down about axis 18 to plunge the blade 26 into a workpiece (not shown) supported on the table 12 against a fence 42. The table 12 has a slot (not shown) through which the blade passes as the assembly pivots down to the position shown in Figure 1d.

The parallelogram lever 34 maintains the orientation of the upper guard 32 with respect to the pivot member 14 and hence the table 12.

In Figures 1a to d the saw 10 is shown in four positions in which the lower guard 40 is in four different positions.

The parallelogram lever 34 has an extension 35 which abuts top surface 101 of a flange 100 of the guard 40. Analysis of the

geometry of the arrangement demonstrates that saw assembly 16 cannot pivot downwards from the position shown in Figure 1a about axis 18 while extension 35 abuts flange 100. This forms a lock which is released by opening the guard 40 by said actuator lever to the position shown in Figure 1b. Here the flange 100 has moved out from underneath the extension 35 and so the assembly is now permitted to pivot about axis 18.

In Figure 1c, the assembly 16 is pivoted down about axis 18 to cut workpieces positioned on the table 12 against fence 42. Between the positions in Figures 1b and c, the extension 35 engages a cam surface 103 of the flange 100 so that downward movement of the assembly 16 opens further the guard 40. In Figure 1d, the guard is fully withdrawn inside the upper guard 32.

The saw 10 so far described is a chop saw, but table 12 is preferably mounted in a frame enabling it to be inverted. A suitable mechanism for this arrangement is described in British patent application no. 9218363, although either of the arrangements shown in EP 0502350 or DE 1628992 will suffice.

In Figures 2a and b the saw 10 is shown inverted for use as a bench saw in which the blade 26 protrudes through the slot (not shown) in the table 12.

Before the table is flipped over, two features are brought into effect. In the Figure 1a position, a riving knife 110 is rotated about an axis 112 through 180°. This brings it to its effective position for rip-sawing in the bench saw mode shown in Figure 2. Obviously the knife cannot be rotated about axis 112 when in this position.

Secondly, when in the Figure 1a position, a spring release toggle lever 114 is actuated as described further below to release spring pressure urging the saw assembly towards the Figure 1a rest position of the saw and simultaneously bring worm gear carrier 116 also
5 described further below into engagement with another extension 118 of the parallelogram lever 34. This serves to lock the saw assembly in the position shown in Figures 2a and b so that it can be flipped over to that orientation.

Referring now to Figures 3a to c, the housing 20 of the saw
10 assembly 16 has a sleeve 120 rotatably journaled on axle 122 of pivot member 14 to form pivot axis 18. Around the sleeve 120 is wound a torsion spring 124, one end 126 of which abuts the housing of motor 22 connected to the housing 20 of the saw assembly 16. The other end 128 of the spring is pivoted about axis 130 to
15 intermediate lever 132. The other end of lever 132 is pivoted to toggle lever 114 about axis 134. Toggle lever 114 is pivoted to the pivot member 14 about axis 136. The lever is shown in Figure 3a in its first disposition, in which it is placed when the saw 10 is used as a chop saw as shown in Figures 1a to d. Here, the lever is rotated
20 clockwise to its maximum extent whereupon a heel 140 thereof abuts the motor housing 22. The spring 124 is in this position sufficiently tensioned so that its end 126 can support the weight of the saw assembly 16.

On pressing knob 142 (see Figure 3c) described further below,
25 the toggle lever 114 can be rotated anti-clockwise, progressively relieving the tension of the spring 124. It is advisable during this

manoeuvre for the user to take the weight of the saw assembly and let it drop slowly into the table 12. In its second disposition shown in Figure 3b, a leg 144 of the toggle lever 114 has abutted a heel 146 of the worm gear carrier 116 and brought it into engagement with a rack 150 formed on the end of extension 118 of the parallelogram lever 34. The rack 150 comes into engagement with the carrier when the saw assembly drops near the table 12 and just before the blade 26 penetrates the slot in the table.

Turning to Figures 4a and b, the worm gear carrier 116 carries a worm gear 152 which is rotatable in the carrier about a longitudinal axis 154 by a knob 156 formed on one end of the gear. When engaged with the rack 150, as shown in Figure 3b, turning of the knob 156 rotates the gear 152 and moves the rack 150 substantially in the direction of axis 154 and pivots the parallelogram lever about its axis 38 with respect to the pivot member 14 and in so doing raises and lowers the saw assembly 16 with respect to the table 12.

Because the tension of the spring 124 has been released, only the weight of the saw assembly 16 need be supported by the worm gear 152. Accordingly, this gear can have a relatively coarse thread so that only a few turns of the knob 156 is required to effect adjustment of the depth of cut of the blade 26 protruding through the table 12 between the positions shown in Figures 2a and b. If, however, the spring 124 was still fully tensioned, then this would more than double the load on the worm gear, and on indeed the lever 34, 118, and such a coarse thread would not be practical.

To move the toggle lever 114 between its two positions necessitates the release of a lock. If a lock was not provided, inadvertent release of the lever from its position shown in Figure 3a could have disastrous consequences. Any form of lock will suffice, 5 but Figures 4 and 5 show one suitable embodiment.

Axis 136 is formed by an axle 158 secured to the pivot member 14 by screw 160. Carrier 116 freely pivots on the axle. A shoulder 164 of the axle retains a collar 166 of the toggle lever 114 on the axle. A bore 168 of the toggle lever receives the knob 142 referred 10 to above. The knob has four splines 170 which engage corresponding slots in the bore 168 so that the knob is constrained to rotate with the lever 114 about axle 158. However, the axle is itself provided with a short splined section 162 and a bore 172 of the knob is likewise provided with a corresponding splined section 174.

15 The knob is biased by a spring 176 to the position shown in Figure 4a, and in which position the splined sections 162,174 of the axle 158 and knob 142 respectively coincide (see Figure 5a). Thus the lever 114 is rotationally locked on the axle 158. If the knob 142 is depressed, however, compressing the spring 176, the splines 20 162,174 are disengaged and the lever 114 can be turned (see Figures 4b and 5b).

Finally, returning to Figures 3a and b, the spring 124 is arranged to be twisted so that its ends are at about 90° to each other in the raised, at-rest position. A further 45° or more may be added during 25 pivoting to the Figure 1d position. The spring force acts between the axes 130 and 134, which can be seen to tend to turn the lever 114

clockwise. In this position, heel 140 abuts the motor 22 and in any event, the line of axes 130,134 is so close to the axis 136 that the torque on the lever 114 is quite small, even at maximum spring compression.

- 5 On the other hand, the spring is arranged in the Figure 3b position to be completely free so that there is no residual torque on the lever 114. Moreover, when the lever 114 is again operated from the Figure 3b position to tension the spring 124, the line of axes 134,130 again serves to turn spring end 128 clockwise about axis 18.
- 10 Although only a small torque can initially be applied (because that line is close to axis 18) the spring is free and offers only little resistance.

CLAIMS

1. A saw comprising a frame, a table mounted in the frame and movable between two positions, a pivot member on a first side of the table, a saw
5 assembly pivoted with respect to the pivot member, a blade journalled in said assembly, a motor to drive the blade, an upper guard to cover an upper portion of the blade, which upper guard is pivoted to said assembly, a slot in the table through which said blade protrudes, in a first of said two positions of the table the saw assembly being above the table, the saw thereby forming a chop saw
10 for performing plunge cuts on workpieces supported on said first side of the table, and, in a second of said two positions of the table, the saw assembly being below the table and the saw thereby forming a bench saw for performing cuts on workpieces passed through the blade on a second opposite side of the table, a parallelogram lever having a pivotal connection to the pivot member
15 and upper guard whereby the orientation of said upper guard with respect to said pivot member is maintained, and an extension of said parallelogram lever which, when the saw assembly is in its second position, co-operates with said pivot member through an adjustment means so that the position of said saw assembly with respect to the pivot member is controlled by said adjustment
20 means.

2. A saw as claimed in claim 1, in which said adjustment means comprises a worm gear rotationally mounted in a carrier member, which carrier member is adjustably connected to said pivot member, and said extension has a rack to
25 engage said worm gear, rotation of the worm gear when engaged with said rack serving to pivot said parallelogram lever about its pivot to the pivot member to alter the depth of protrusion of the blade through the slot.

3. A saw as claimed in claim 1 or 2, in which spring means are provided
30 between the pivot member and saw assembly to bias the saw assembly away from the table, and wherein the spring means acts on an intermediate element

disposed between the pivot member and saw assembly, the intermediate element having two dispositions, in a first of which dispositions said spring means supports the weight of said saw assembly when the table is in its first position and in a second of which dispositions said bias is substantially
5 removed.

4. A saw as claimed in claim 3, in which said carrier member is pivoted to said pivot member and said intermediate element comprises a toggle lever pivoted to the pivot member, which toggle lever in said first disposition
10 tensions said spring means and, in pivoting to said second disposition, releases said tension and pivots said carrier into engagement with said extension.

5. A saw as claimed in claim 4 in which said carrier and toggle lever are pivoted about the same axis in said pivot member.
15

6. A saw as claimed in claim 4 or 5, in which said spring means comprises a torsion spring around the pivot axis of the saw assembly in the pivot member, one end of said spring pressing against the saw assembly and the other end engaging said toggle lever.
20

7. A saw as claimed in claim 6, in which an intermediate lever is disposed between said other end of the spring and said toggle lever.

8. A saw as claimed in claim 7, in which said other end of the spring is
25 pivoted to said intermediate lever about a first axis, said intermediate lever is pivoted to said intermediate element about a second axis and said intermediate element is pivoted to said pivot member about a third axis, said axes being parallel and a line joining said first and second axes lying to one side of said third axis in said first disposition of said spring and to the other side of said
30 third axis in said second disposition.

9. A saw as claimed in any one of claims 3 to 8, in which said spring means is neutral in said second disposition.

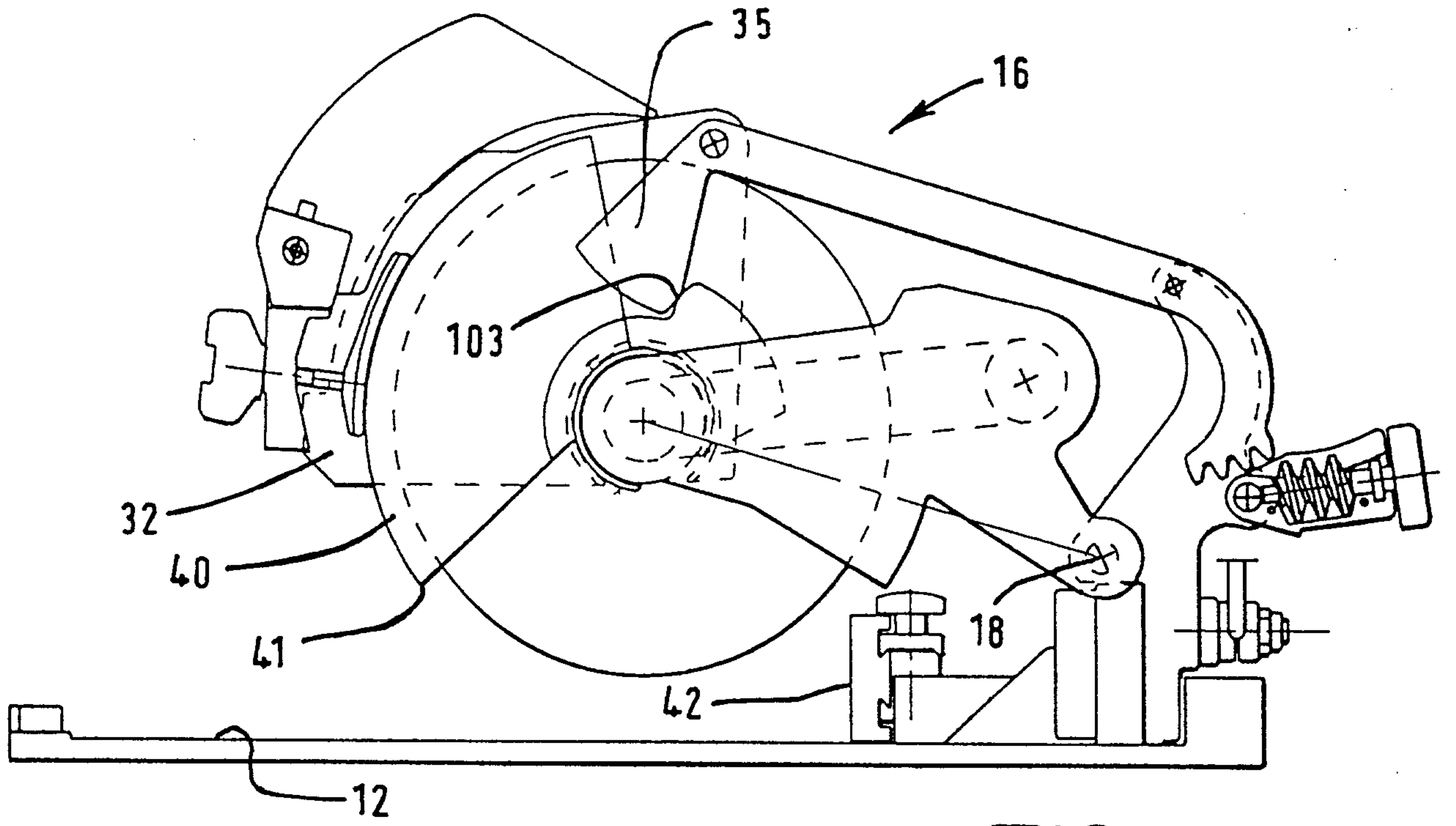
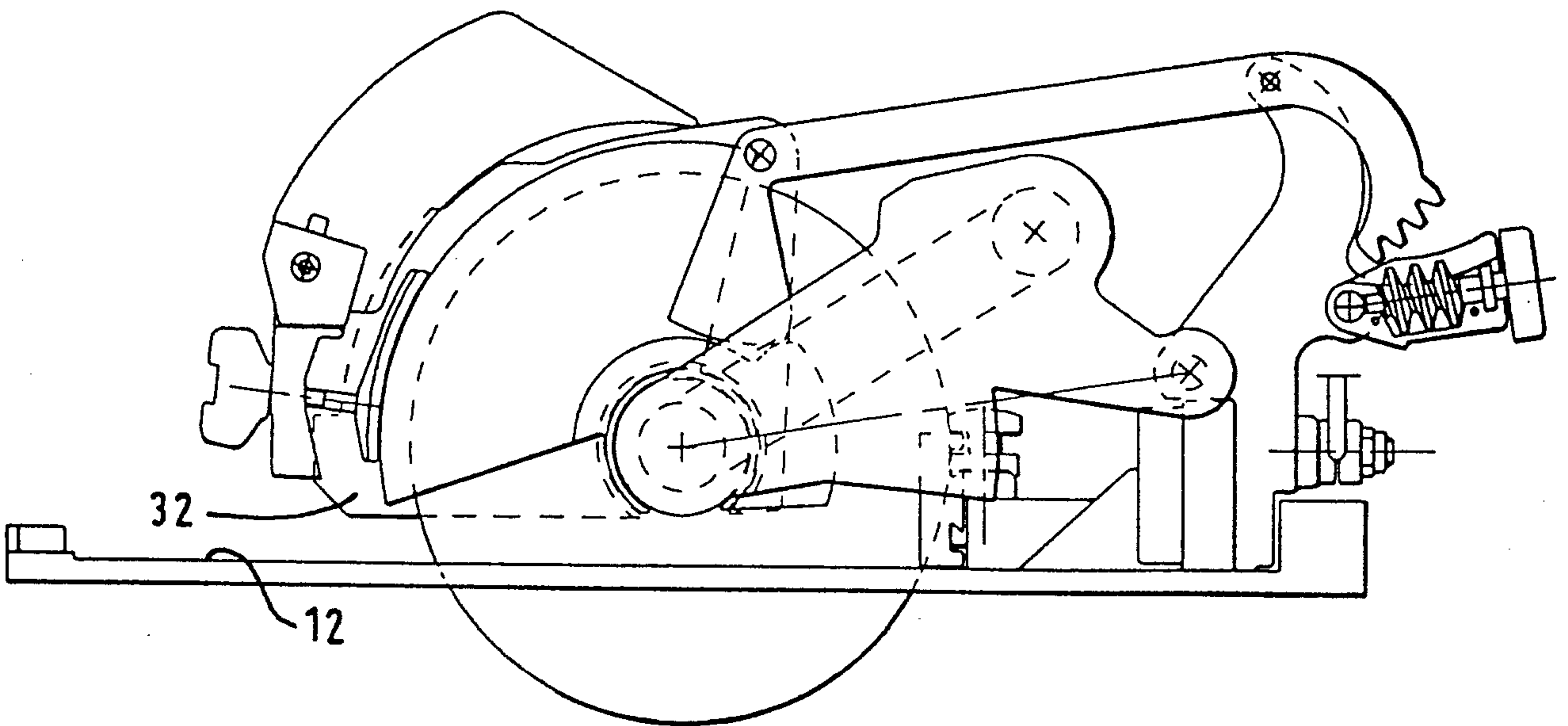
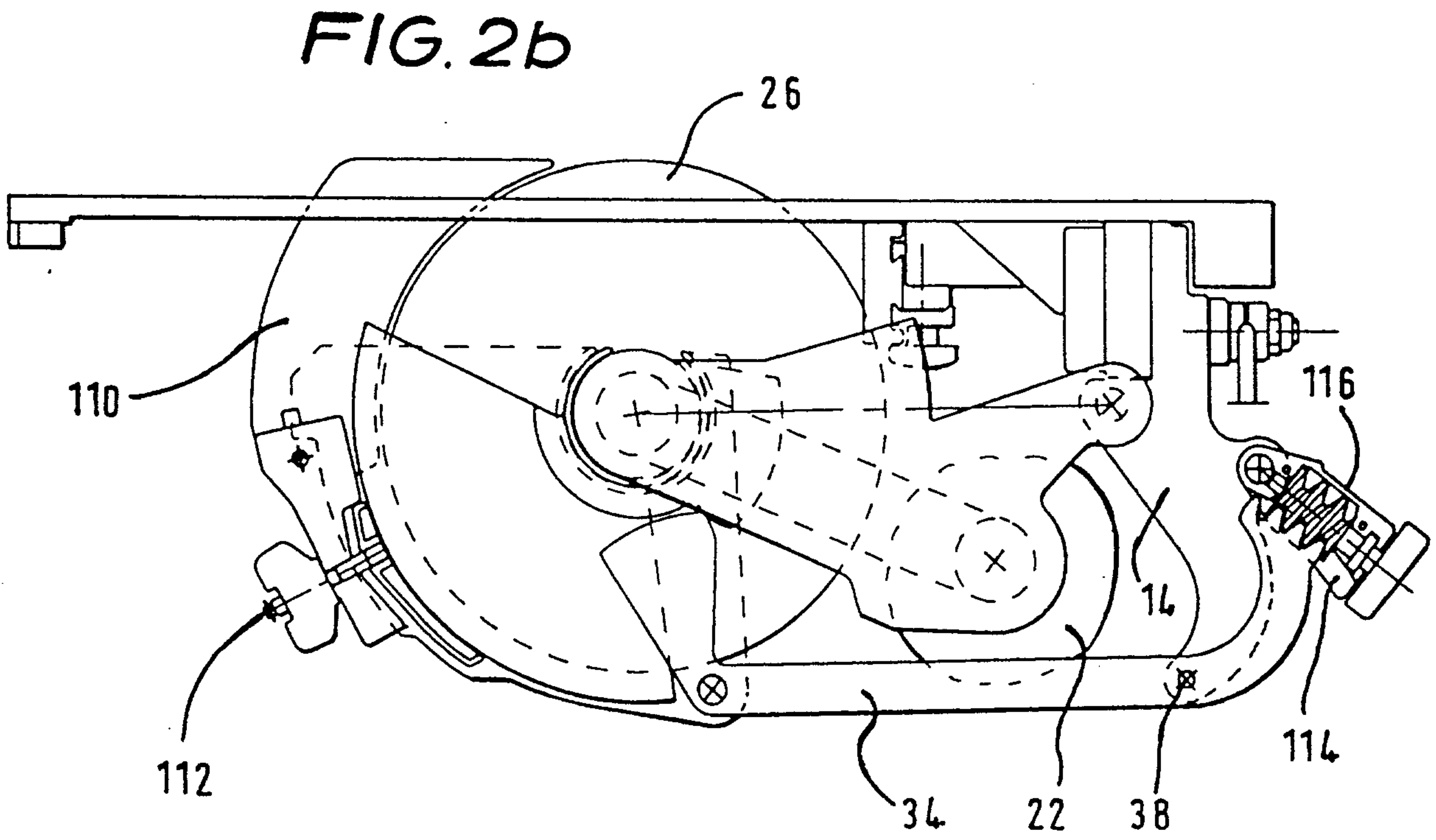
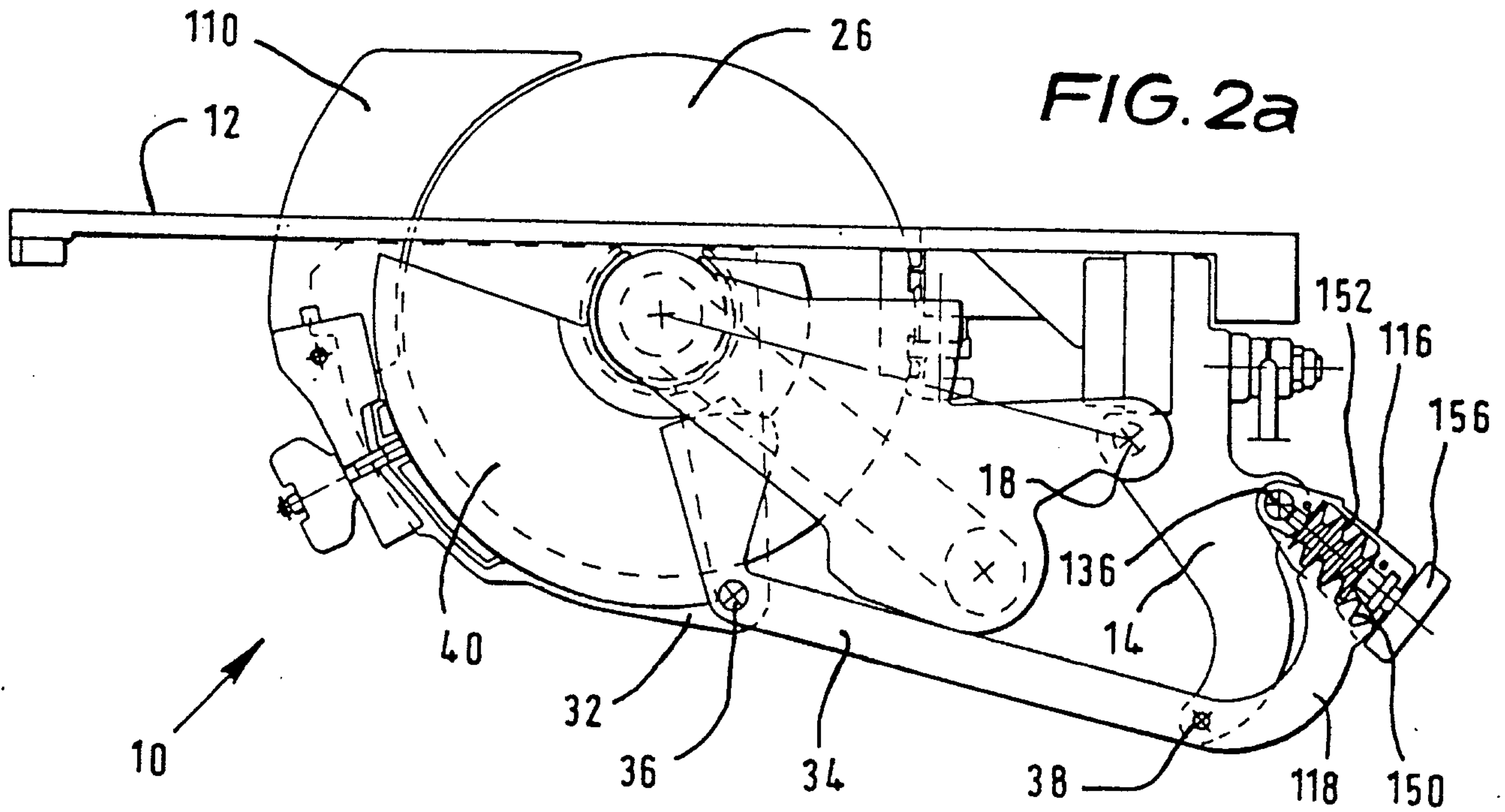


FIG. 1c

FIG. 1d



Sim & McBurney



Sent to Mr. Curran

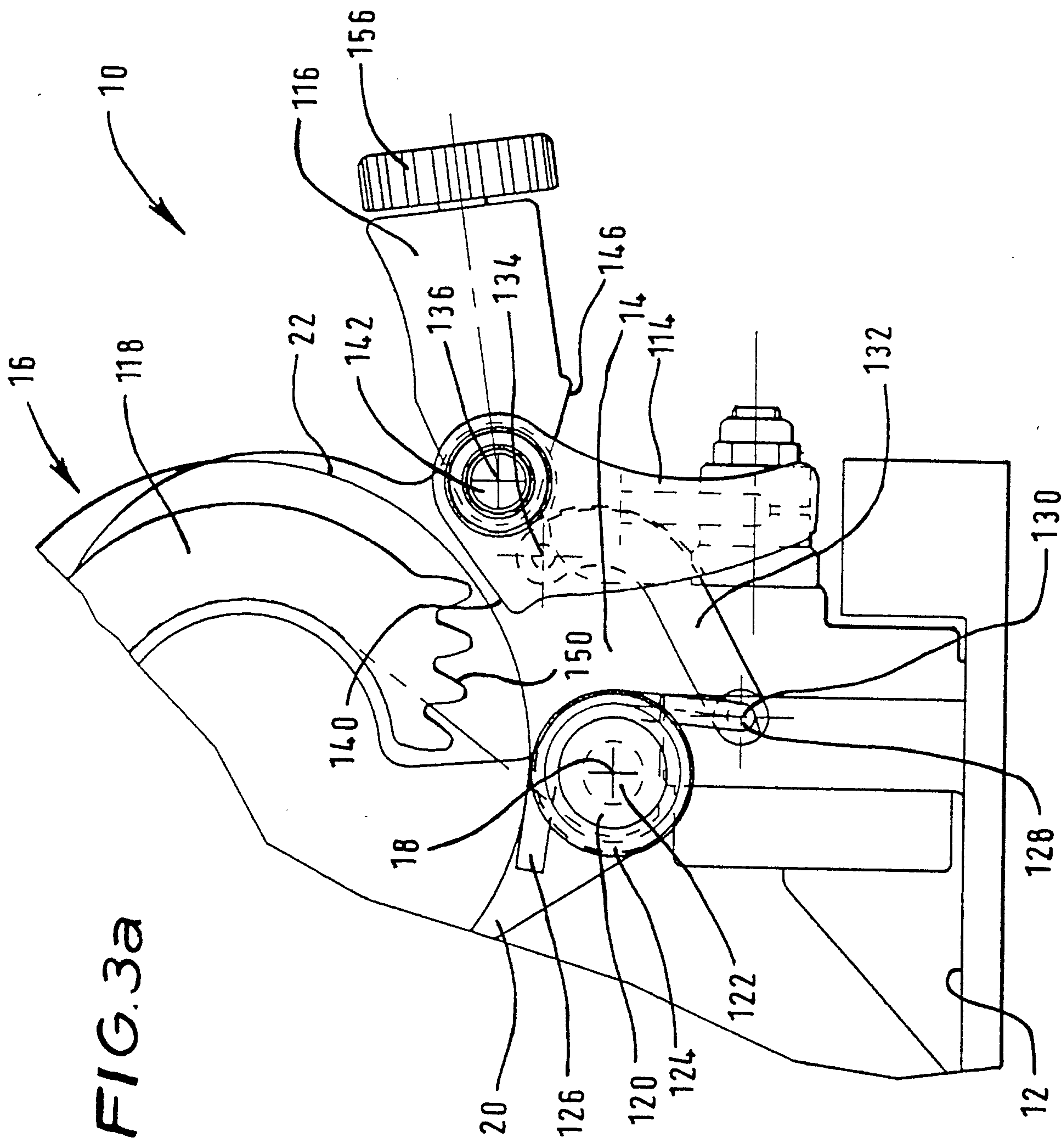


FIG. 3a

Sim. J. Mc. Bureau

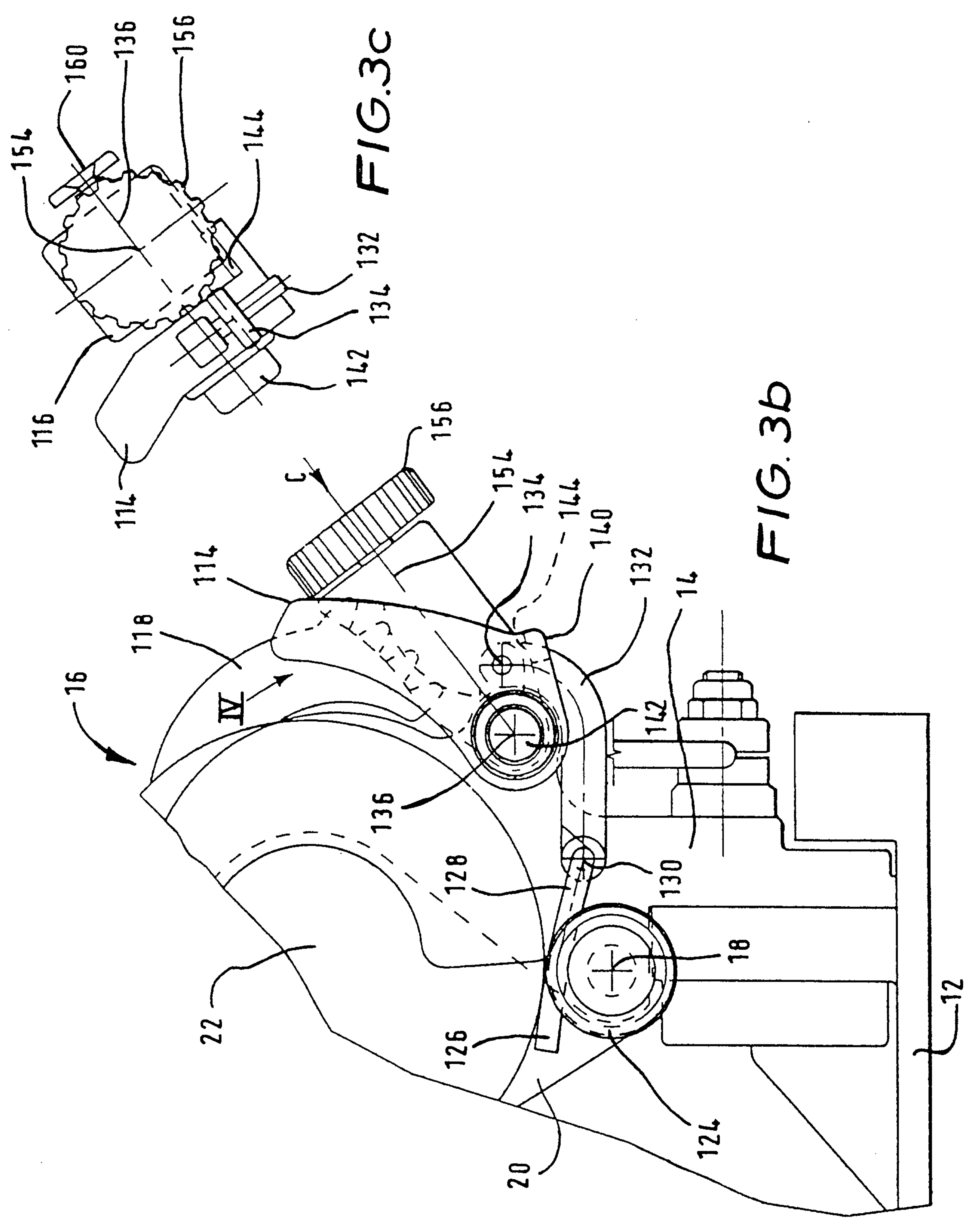
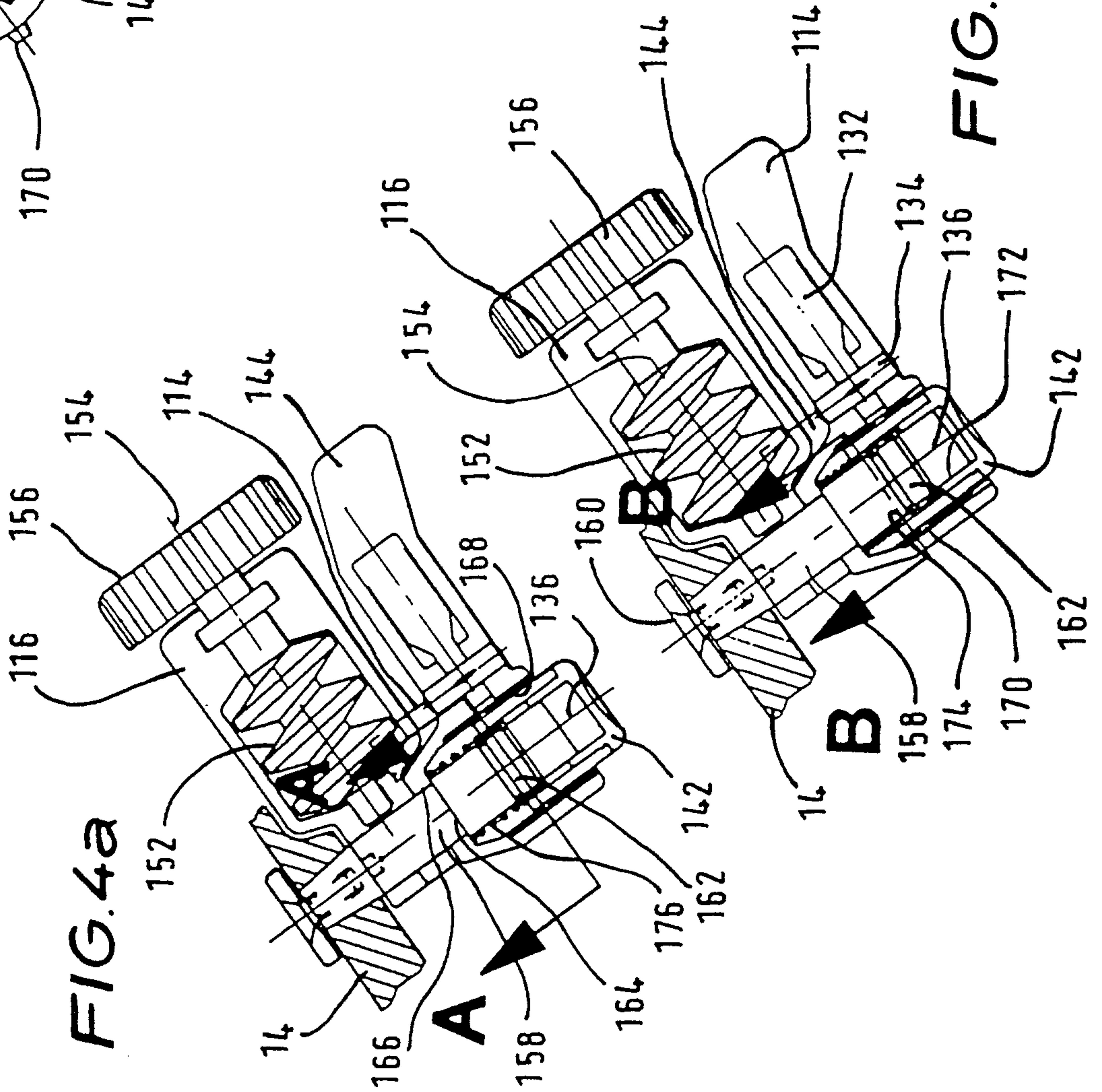
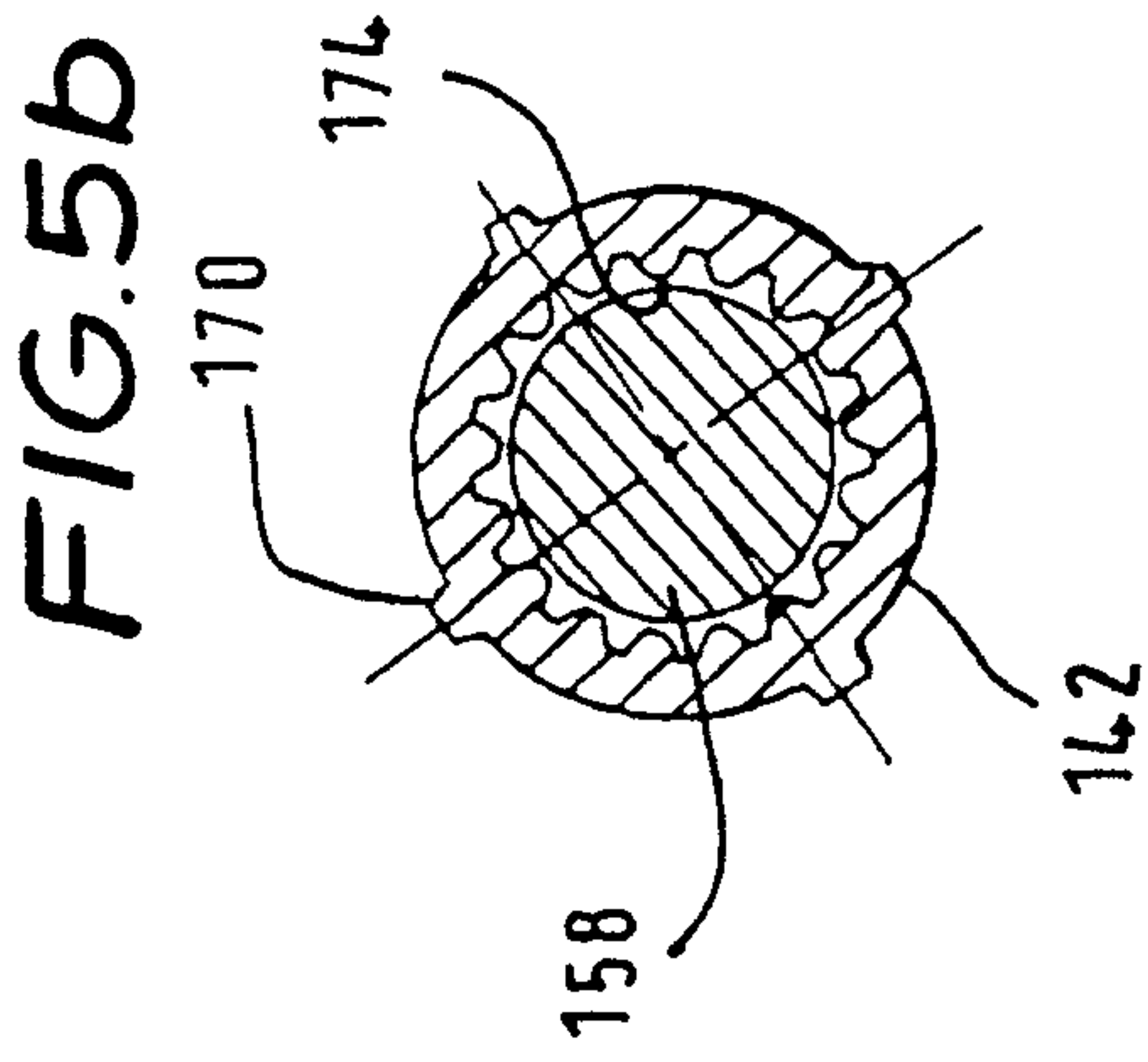
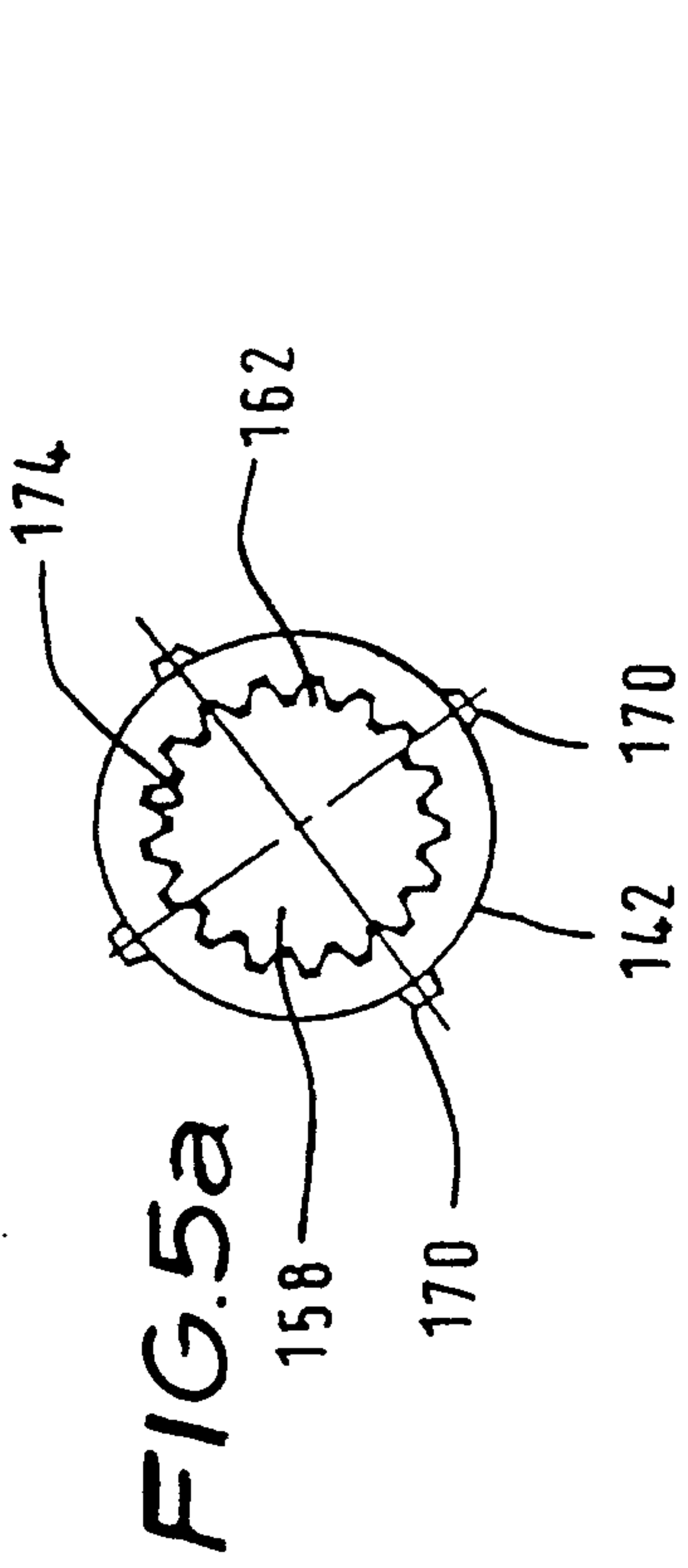


FIG. 3c

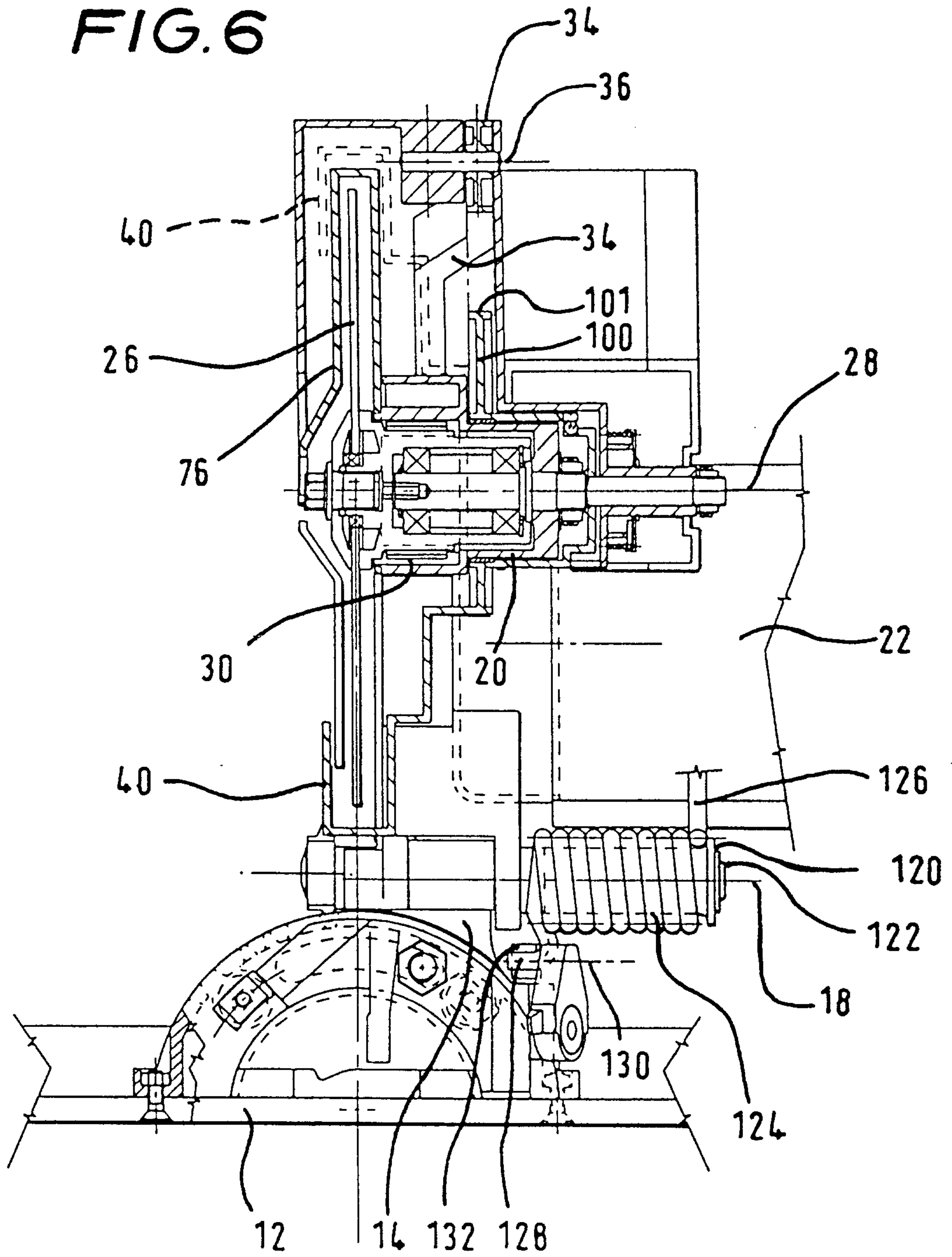
FIG. 3b

Sim. J. Mc. Burney



Sent to Mr. Bureau

FIG. 6



Sim. J. Mc. Lunn

