



(22) **Date de dépôt/Filing Date:** 2016/07/14

(41) **Mise à la disp. pub./Open to Public Insp.:** 2017/01/16

(30) **Priorité/Priority:** 2015/07/16 (US62/193,329)

(51) **Cl.Int./Int.Cl.** *E04C 3/292* (2006.01),  
*B27M 3/00* (2006.01), *E04B 1/26* (2006.01),  
*E04B 1/30* (2006.01), *E04C 3/16* (2006.01),  
*E04C 3/17* (2006.01), *E04C 3/18* (2006.01)

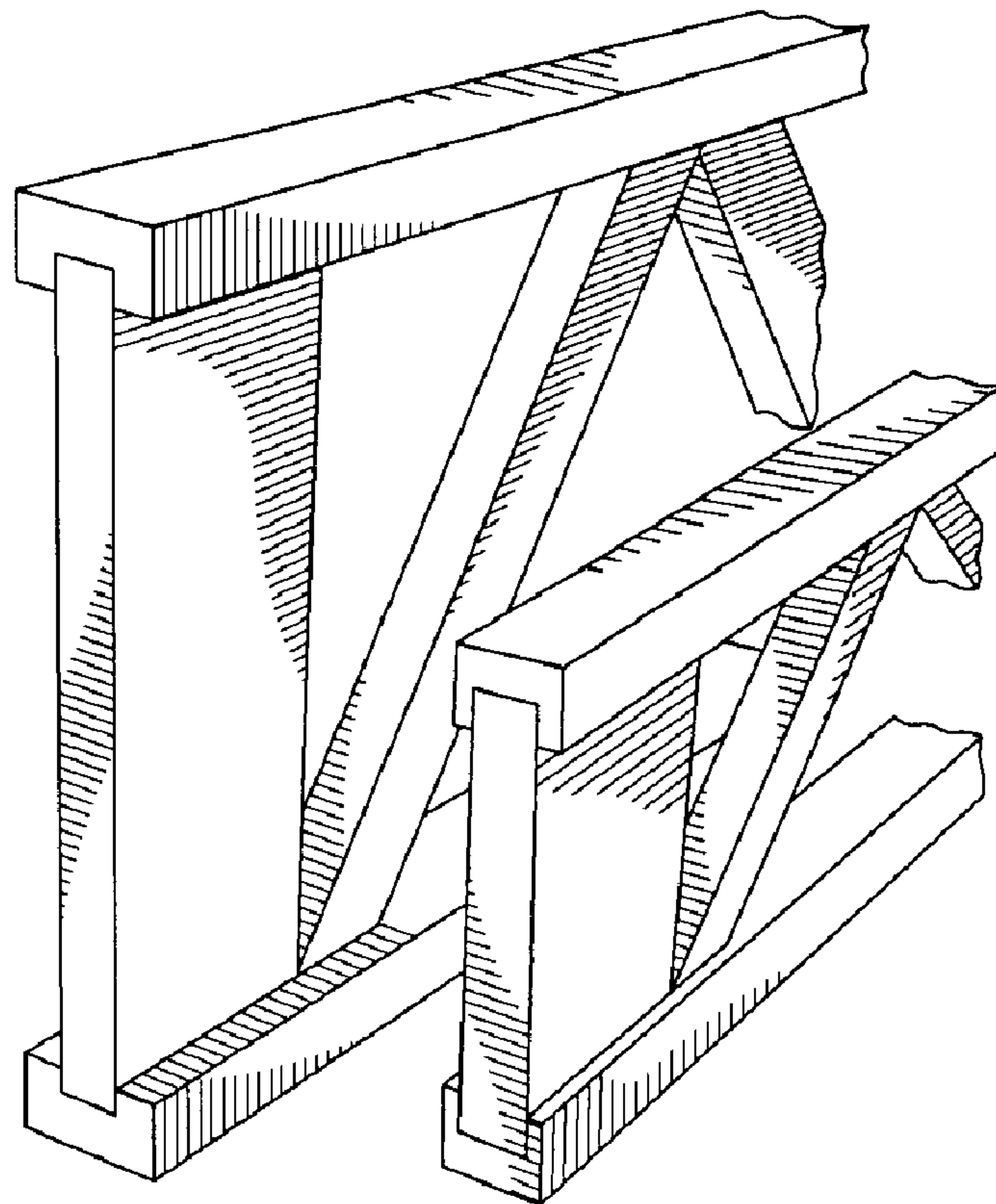
(71) **Demandeur/Applicant:**  
LES CHANTIERS DE CHIBOUGAMAU LTEE, CA

(72) **Inventeurs/Inventors:**  
COSSETTE, DENIS, CA;  
FILION, MICHEL, CA;  
FRAPPIER, JULIE, CA

(74) **Agent:** GOUDREAU GAGE DUBUC

(54) **Titre : SOLIVES EN I ET METHODE DE FABRICATION ASSOCIEE**

(54) **Title: I-JOISTS AND METHOD OF FABRICATION THEREOF**



(57) **Abrégé/Abstract:**

An I-joist comprising a web and flanges, the web being connected on each longitudinal edge thereof to a flange, wherein the I-joist further comprises chords, the chords being connected to the web on at least one side of the web. The web may comprise



**(57) Abrégé(suite)/Abstract(continued):**

openings in between the chords. The I-joist is fabricated by connecting a flange on each longitudinal edge of a web and connecting chords on at least one side of the web, the web being provided with openings.

## Abstract

An I-joist comprising a web and flanges, the web being connected on each longitudinal edge thereof to a flange, wherein the I-joist further comprises chords, the chords being connected to the web on at least one side of the web. The web may comprise openings in between the chords. The I-joist is fabricated by connecting a flange on each longitudinal edge of a web and connecting chords on at least one side of the web, the web being provided with openings.

## TITLE OF THE INVENTION

I-joists and method of fabrication thereof

## FIELD OF THE INVENTION

**[0001]** The present invention relates to engineered wood. More specifically, the present invention is concerned with I-joists and methods of fabrication thereof.

## BACKGROUND OF THE INVENTION

**[0002]** In the field of engineered wood, open web joists are structural trusses generally comprising parallel chords and a triangulated web. Open web joists as known in the art may have a sawn lumber web (not shown), glued-laminated timber (glulam) web (see FIG. 1), or a metallic web (see FIG. 2), metallic connectors (see FIG. 3), or combination thereof (not shown).

**[0003]** I-joists are manufactured structural building components resembling the letter "I", generally used as floor joists and rafters for example.

**[0004]** As shown for example in FIGs. 4, an I-joist 10 includes flanges 12 on each side of a web 14. The flanges 12 may be made of laminated veneer lumber or sawn lumber, with a width in range comprised between 1-1/2" to 3-1/2". The web or center 14 of the I-joist 10 is commonly made of plywood or oriented strand board (OSB).

**[0005]** As illustrated in FIG. 4C, such I-joists can be manufactured with a range of height of the web 14 between the flanges 12 and with a range of width for the web 14. They may also have a variety of grade for the flange. The web 14 is joined on each longitudinal edge thereof to a flange 12 by a joint 16 as best seen in FIG. 4B. The edge 17 of the web 14 is glued in a groove of the flanges 12.

**[0006]** There is still a need in the art for I-joists and methods of fabrication thereof.

## SUMMARY OF THE INVENTION

**[0007]** More specifically, in accordance with the present invention, there is provided an I-joist comprising a web and flanges, the web being connected on each longitudinal edge thereof to a flange, wherein the I-joist further comprises chords, the chords being connected to the web on at least one side of the web.

**[0008]** There is further provided a method for fabricating a I-joist, comprising connecting a flange on each longitudinal edge of a web and connecting chords on at least one side of the web.

**[0009]** There is further provided a method for fabricating an open web I-joist, comprising providing a web; cutting out portions of the web; connecting a flange on each longitudinal edge of the web; and connecting chords on at least one side of the web.

**[0010]** Other objects, advantages and features of the present invention will become more apparent upon reading of the following non-restrictive description of specific embodiments thereof, given by way of example only with reference to the accompanying drawings.

#### BRIEF DESCRIPTION OF THE DRAWINGS

**[0011]** In the appended drawings:

**[0012]** FIG. 1 shows an open web joist with a glulam web as known in the art;

**[0013]** FIG. 2 shows an open web joist with a metal web as known in the art;

**[0014]** FIG. 3 shows an open web joist with metallic connectors as known in the art;

**[0015]** FIG. 4A is a perspective view of a I-joist as known in the art;

**[0016]** FIG. 4B is a detail of FIG. 4A;

**[0017]** FIG. 4C shows side view of different I-joists;

**[0018]** Fig. 5A is a perspective view of an open web I-joist according to an embodiment of an aspect of the present invention;

**[0019]** FIG. 5B is a detail of FIG. 5A; and

**[0020]** FIG. 6A shows a perspective view of a I-joist according to an embodiment of an aspect of the present invention;

**[0021]** FIG. 6B is a front view of the I-joist of FIG. 6A; and

**[0022]** FIG. 7 is a schematical view of an open web I-joist according to an embodiment of an aspect of the present invention; and

**[0023]** FIG. 8 is a schematical view of an open web I-joist according to an embodiment of an aspect of the present invention; and

**[0024]** FIG. 9 is a schematical view of an open web I-joist according to an embodiment of an aspect of the present invention.

## DESCRIPTION OF ILLUSTRATIVE EMBODIMENTS

**[0025]** The present invention is illustrated in further details by the following non-limiting examples.

**[0026]** A method according to an embodiment of an aspect of the invention comprises manufacturing an I-joist (step 100), cutting the web thereof corresponding to a target open web 120 (step 200), and securing chords 22 for reinforcement (step 300). Steps 200 and 300 may be inverted.

**[0027]** In step 100, an I-joist as described in relation to FIG. 4A for example is manufactured. The flanges may be in wood for example, such as laminated veneer lumber or sawn lumber, or in a metal such as steel for example. The web may be in oriented strand board (OSB), plywood, sawn lumber or glued-laminated timber (glulam), or in a metal such as steel for example.

**[0028]** In step 200, the web of the I-joist manufactured in step 100 is cut out, using a router for example, following a predetermined pattern. As best seen in FIG. 5B, portions 20, 24 of the web are saved at positions (20), (24) for supporting the chords 22 secured in step 300.

**[0029]** In step 300, chords 22 are connected either on one side of the web parts 20 preserved in between the parallel flanges 12 as just described in relation to step 200, or on both sides thereof. The chords maybe in wood, for example in sawn lumber or glued-laminated timber (glulam), or in a metal such as steel for example. The flanges 12, chords 22 and the web are in a wood material for example, the flanges 12 and the chords 22 may connected together by the web portions 24 preserved at the corners as just described in relation to step 200, best seen in FIG. 5B, all glued together using structural glue. In case of metal parts, welding can be used.

**[0030]** Openings may be provided in the web prior to connecting to web to the flanges.

**[0031]** In the embodiments illustrated in FIGs. 5 to 7, the chords 22 include diagonal chords 22b and chords 22a perpendicular to the flanges 12. In the embodiment illustrated in FIGs. 8 and 9, only diagonal chords 22b are used over a length of the I-joist; moreover, the web is saved at some parts of the I-joist, such as end parts 14a, 14b, 14c, while the rest of the web between the chords is open. The web may also be saved at central parts (not shown).

**[0032]** The present invention provides fabricating an open web joist having a patterned web as desired.

**[0033]** The open web joist may have trimmable ends 40, for size adjustment. The open web joist may have a web with openings of a predetermined shape allowing vent tubing to run therethrough for example.

**[0034]** The present method thus allows providing an open web wood joist comprising openings at various target locations between the flanges, while allowing structural properties comparable to those of I-joist.

**[0035]** The present open web joist comprises flanges, in wood for example, and chords, in wood for example, in a unique structural combination. The present open web joist does not require finger joints or metal connectors between the flanges and the chords, as web parts connect the flanges and the chords together. It allows for the passage of electrical wiring, plumbing and duckwork.

**[0036]** A method according to an embodiment of another aspect of the invention comprises manufacturing an I-joist (step 1000) and securing chords 22 for reinforcement (step 3000), thereby forming an hybrid I-joist 50 as illustrated for example in FIG. 7.

**[0037]** In step 3000, the chords 22 may be glued to the web 14 using a structural adhesive.

**[0038]** The I-joist 50 comprises flanges, in wood such as laminated veneer lumber or sawn lumber for example, or metal such as steel for example, a web in wood such as oriented strand board (OSB), plywood, sawn lumber or glued-laminated timber (glulam) for example, or metal such as steel for example, and chords, in wood such as glued-laminated timber (glulam) or sawn lumber for example, or in a metal such as steel for example, in a unique structural combination.

**[0039]** Such hybrid I-joist 50 has structural properties comparable to those of open web joists known in the art. It allows for the passage of electrical wiring, plumbing and duckwork by drilling and cutting the web.

**[0040]** The hybrid I-joist may be used as replacement of known I-joist, open web joist, solid sawn lumber, structural composite lumber or glued-laminated timber.

**[0041]** The scope of the claims should not be limited by the embodiments set forth in the examples, but should be given the broadest interpretation consistent with the description as a whole.

## Claims

1. An I-joist, comprising a web and flanges, said web being connected on each longitudinal edge thereof to a flange, wherein said I-joist further comprises chords, said chords being connected to said web on at least one side of the web.
2. The I-joist of claim 1, wherein said chords comprise at least one diagonal chord.
3. The I-joist of claim 1, wherein said chords comprise at least one chord perpendicular to the flanges.
4. The I-joist of claim 1, wherein said chords comprise at least one of: diagonal chords and chords perpendicular to the flanges.
5. The I-joist of claim 1, wherein said flanges and said chords are connected together by portions of said web.
6. The I-joist of claim 1, wherein said flanges, said web and said chords are in at least one of: wood and metal.
7. The I-joist of claim 1, wherein said flanges, said web and said chords are in wood.
8. The I-joist of claim 1, further comprising openings in said web in between said chords.
9. A method for fabricating a I-joist, comprising:  
connecting a flange on each longitudinal edge of a web; and  
connecting chords on at least one side of the web.
10. The method of claim 9, comprising cutting out portions of the web in between the flanges.
11. The method of claim 9, wherein said connecting chords comprises connecting at least one of: diagonal chords and chords perpendicular to the flanges.
12. The method of claim 9, wherein said connecting chords comprises connecting diagonal chords along at least a first length of the web.
13. A method for fabricating an open web I-joist, comprising:

providing a web;  
cutting out portions of the web;  
connecting a flange on each longitudinal edge of the web; and  
connecting chords on at least one side of the web.

14. The method of claim 13, wherein said connecting chords comprises connecting at least one of: diagonal chords and chords perpendicular to the flanges.

15. The method of claim 13, wherein said connecting chords comprises connecting diagonal chords along at least a first length of the web.

1 / 7

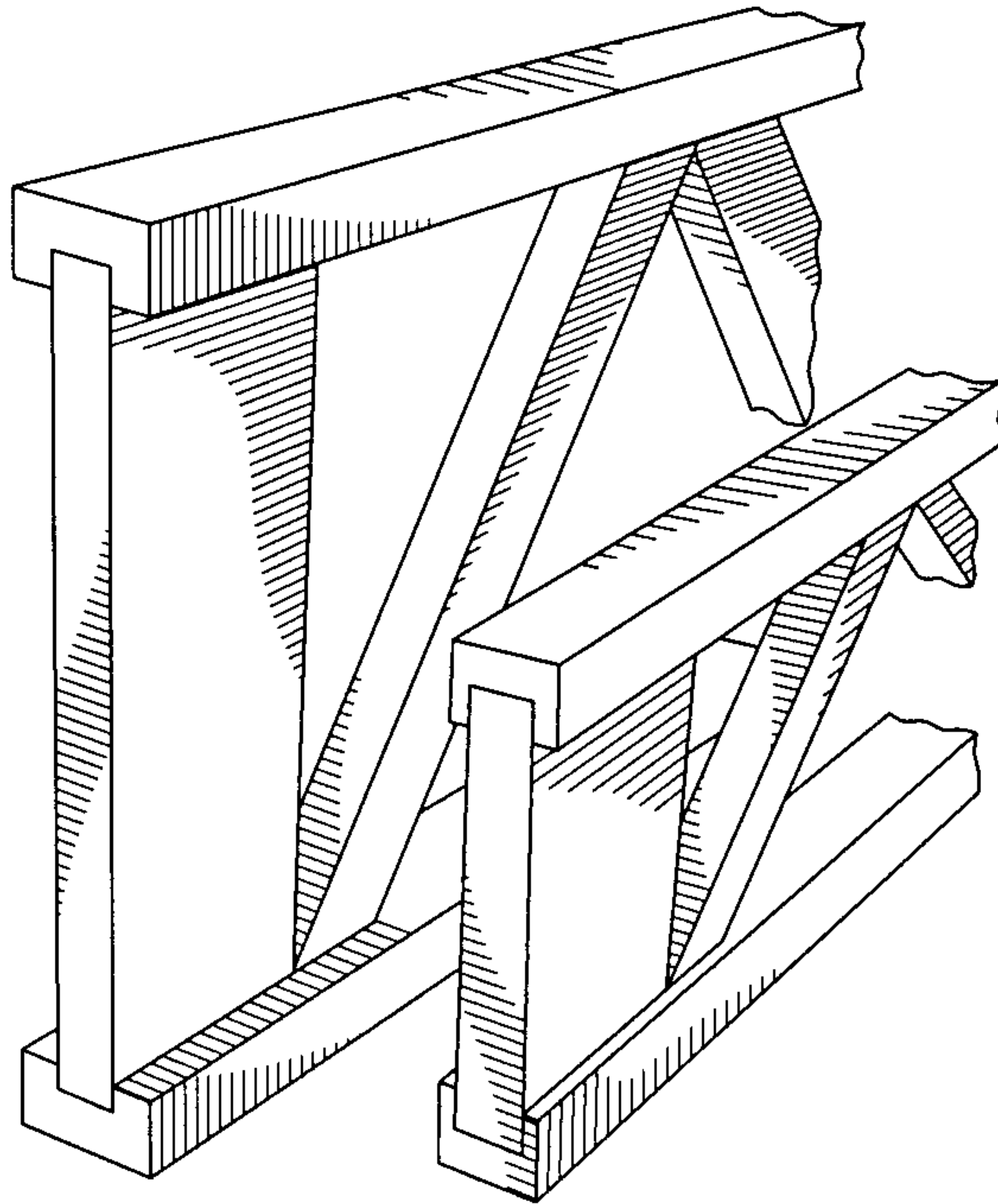


FIG. 1

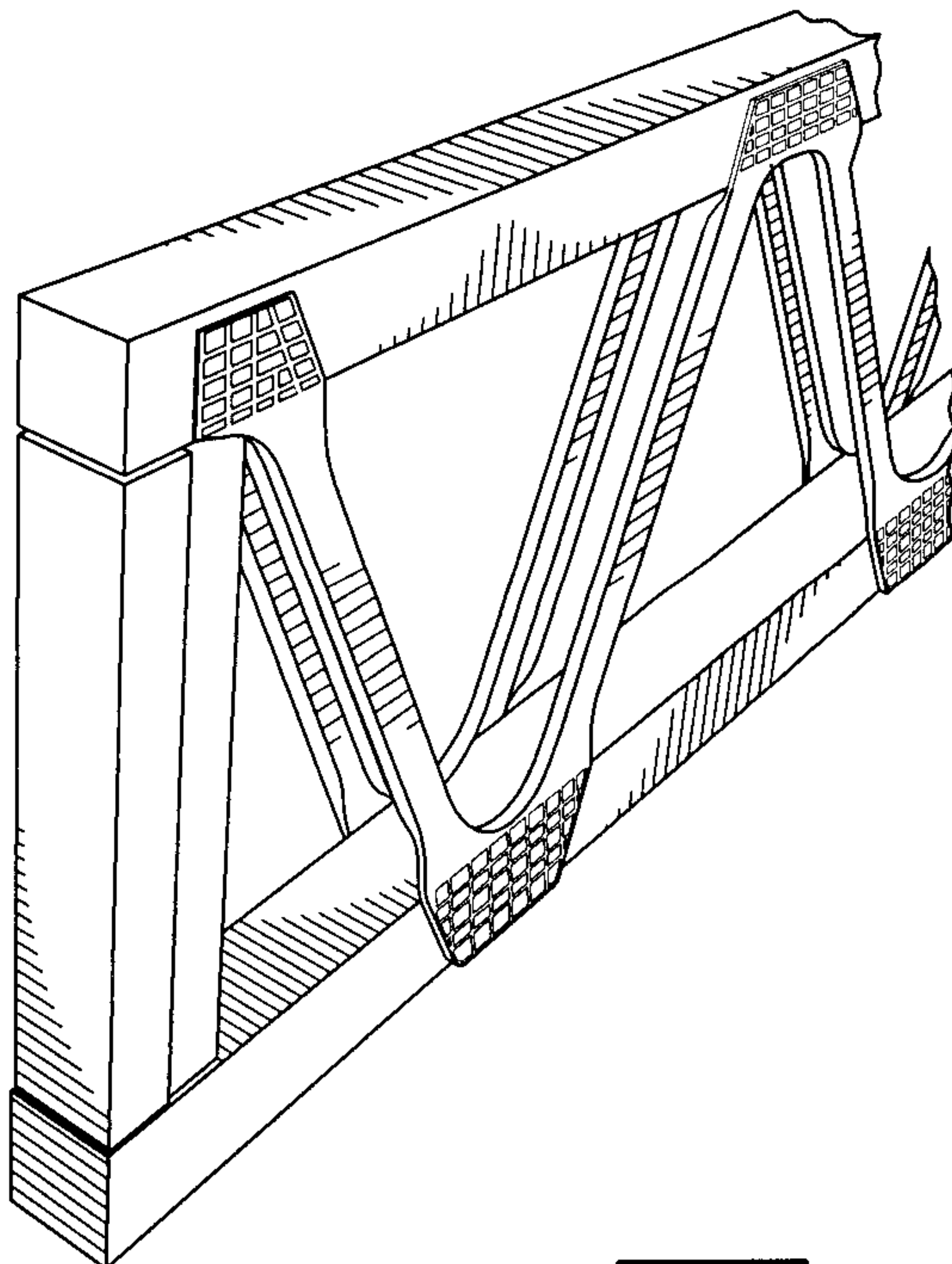


FIG. 2

2 / 7

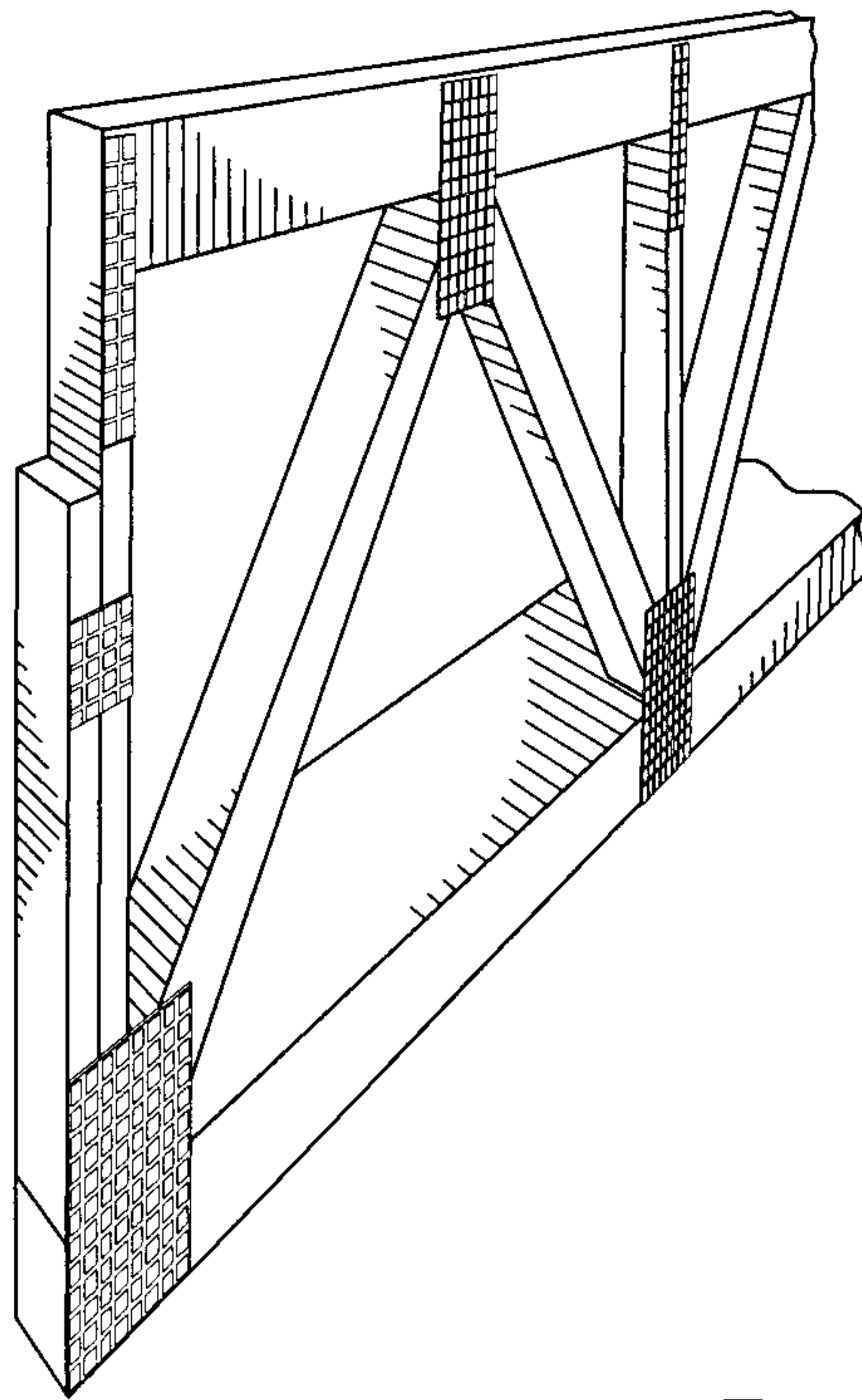


FIG. 3

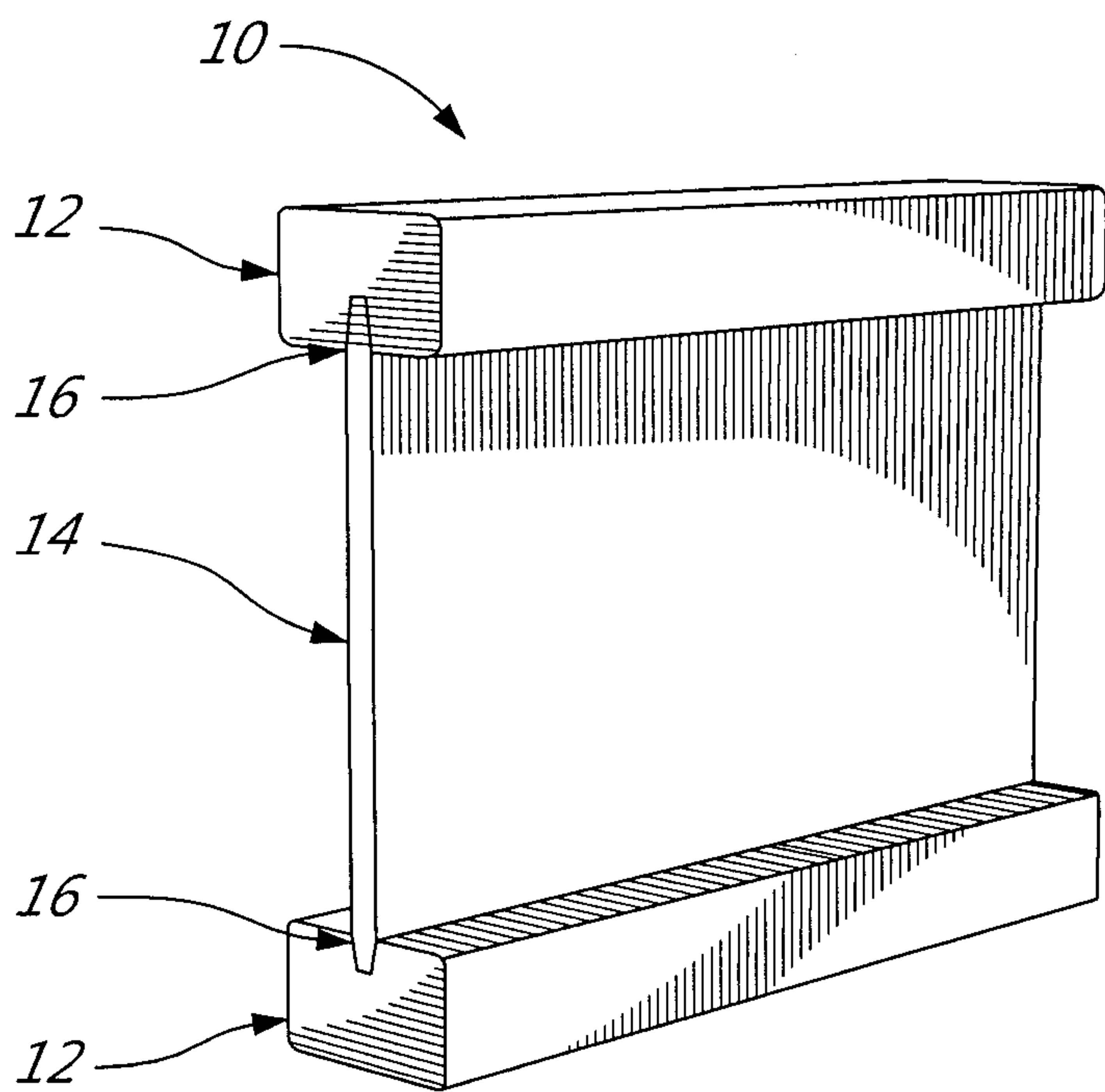


FIG. 4A

3 / 7

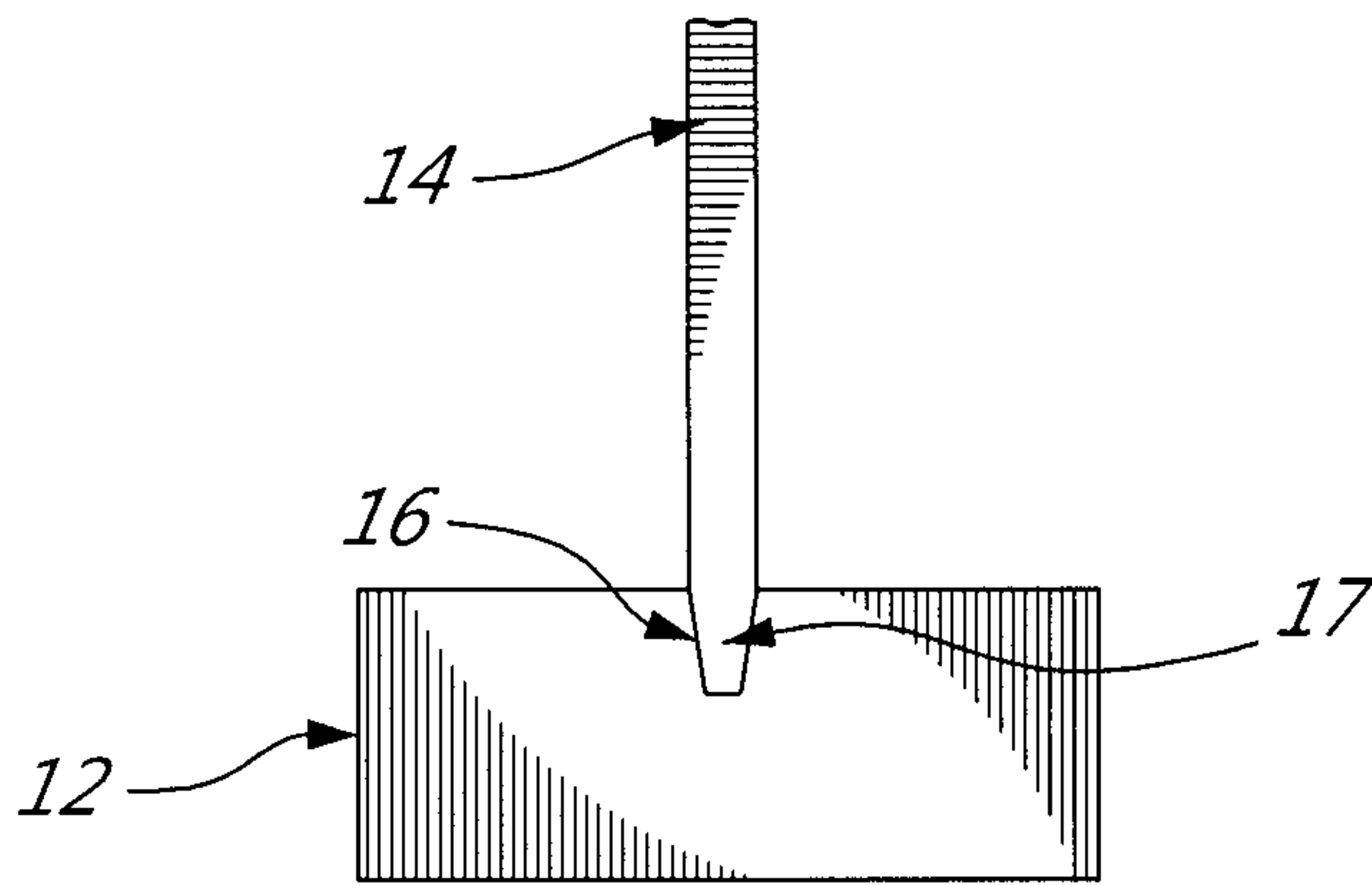


FIG. 4B

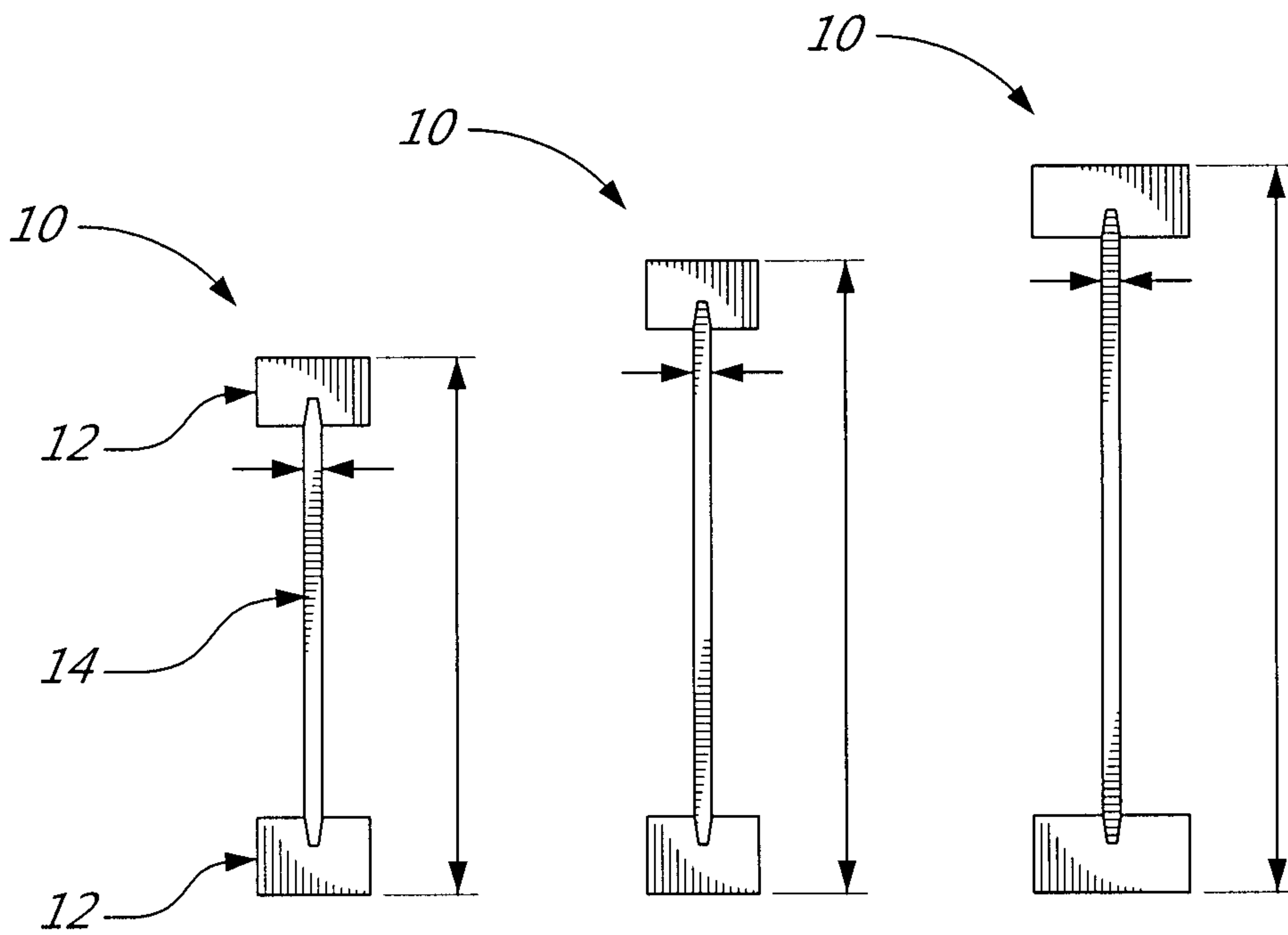


FIG. 4C

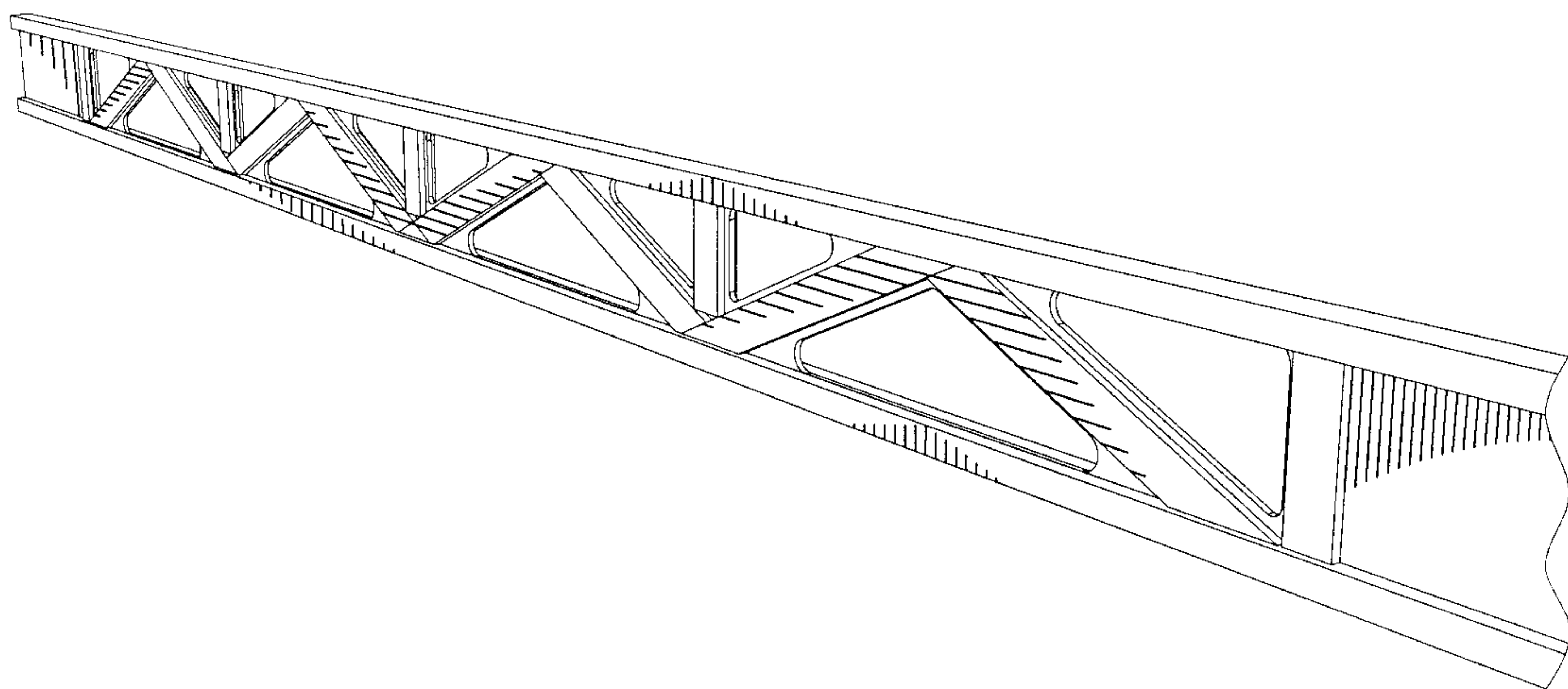


FIG. 5A

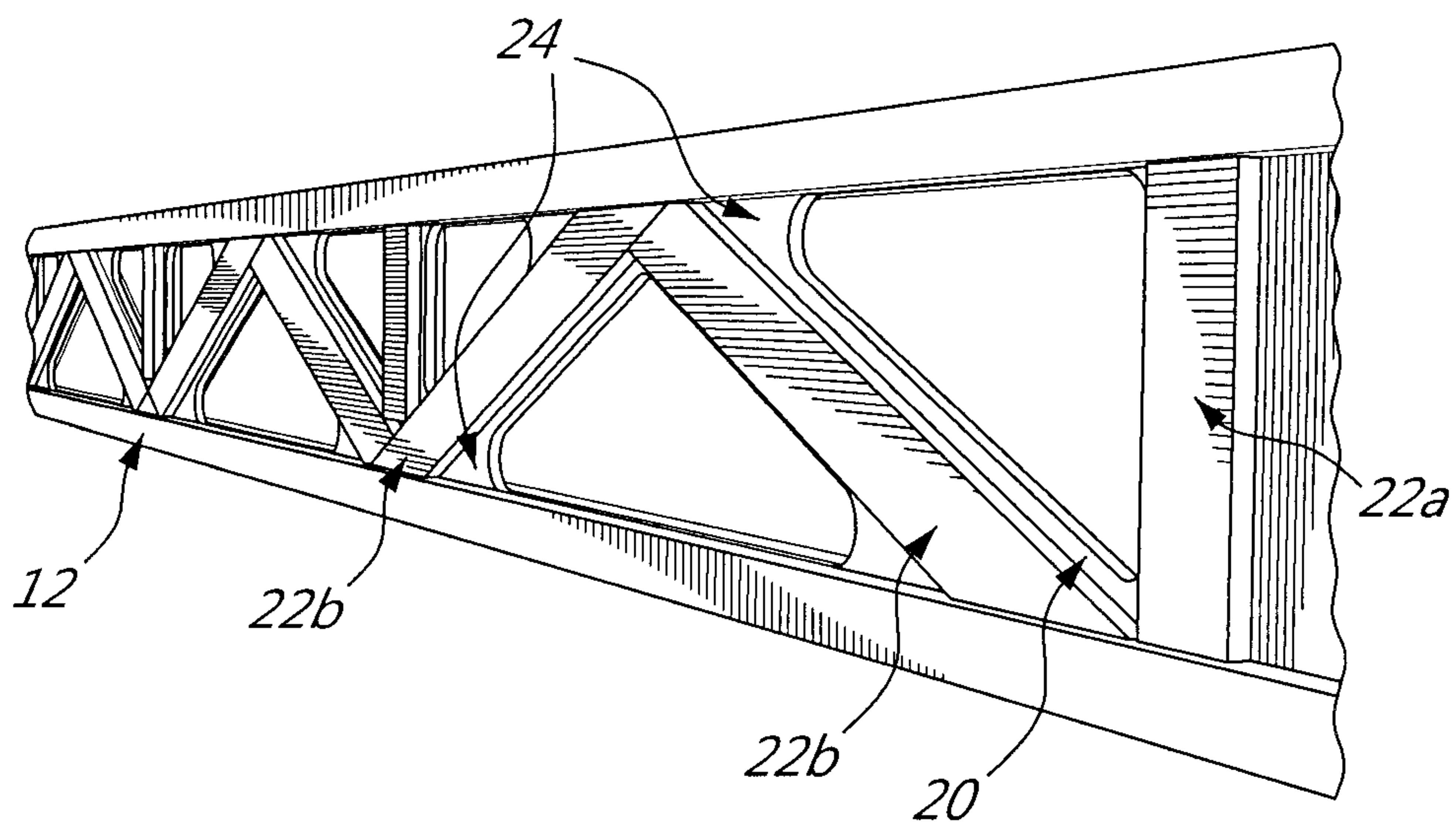
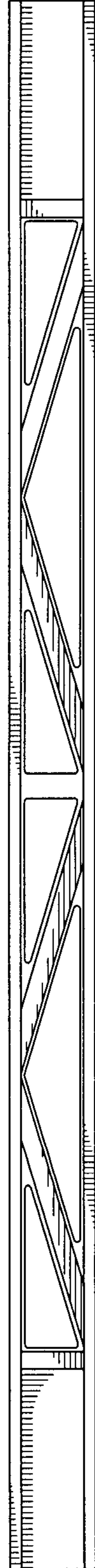
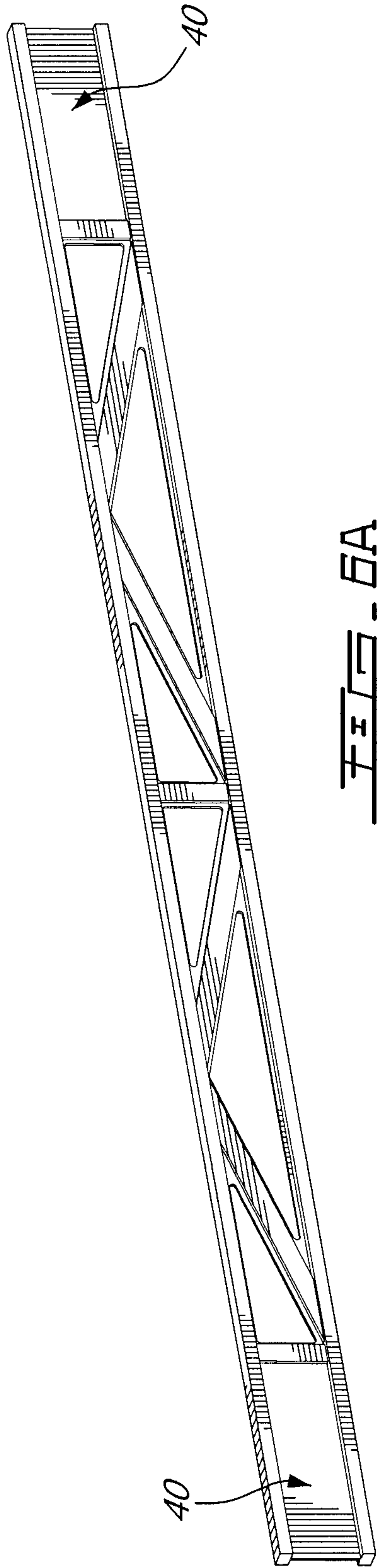


FIG. 5B



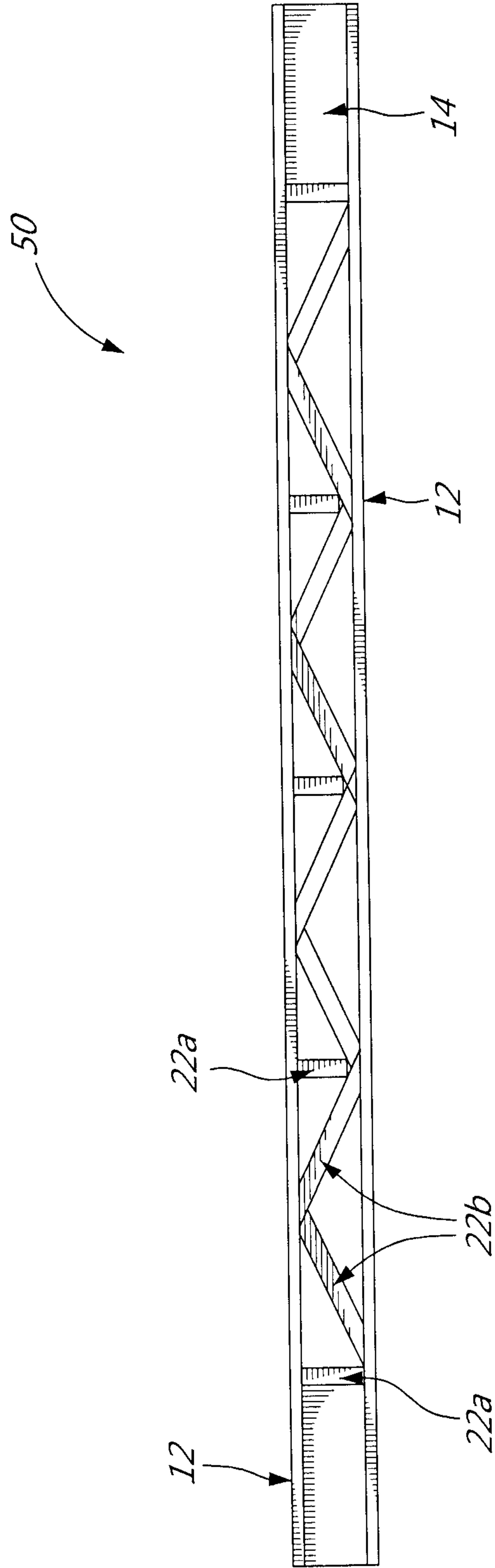


FIG. 7

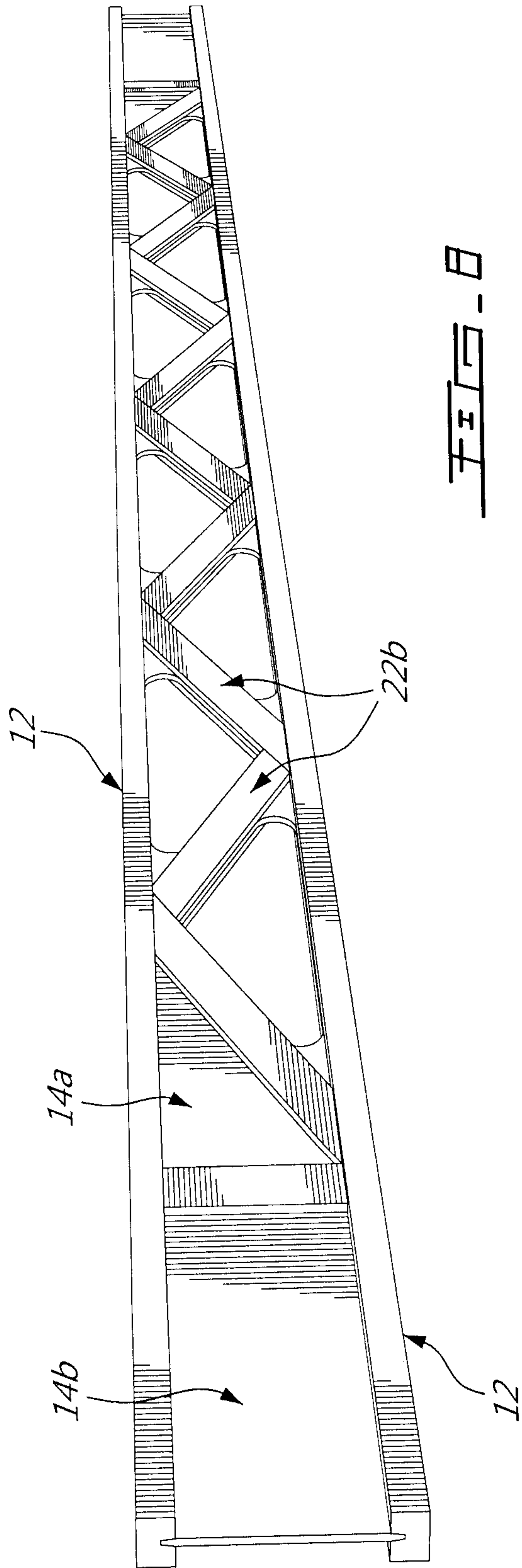


FIG. 8

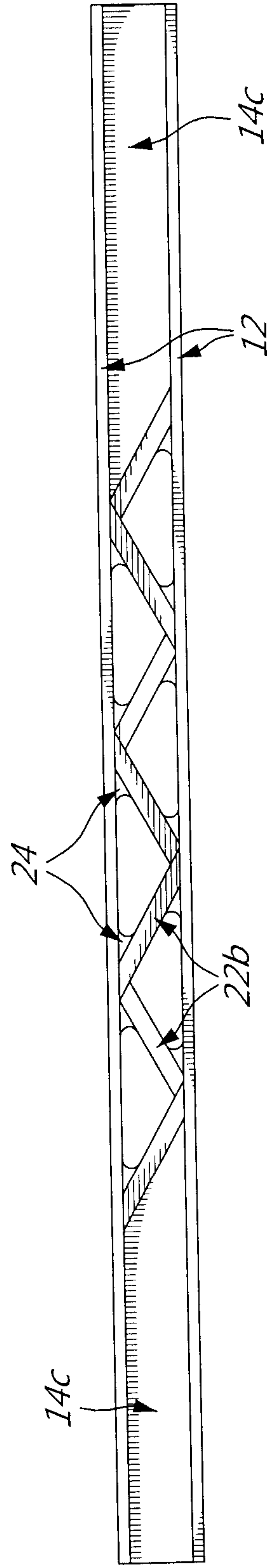


FIG. 9

