



US0D1005231S

(12) **United States Design Patent**
Mo

(10) **Patent No.:** **US D1,005,231 S**

(45) **Date of Patent:** **** Nov. 21, 2023**

(54) **MAGNETIC WIRELESS CHARGER**

(71) Applicant: **Fangsen Mo**, Wuzhou (CN)

(72) Inventor: **Fangsen Mo**, Wuzhou (CN)

(**) Term: **15 Years**

(21) Appl. No.: **29/878,962**

(22) Filed: **Jun. 29, 2023**

(51) **LOC (14) Cl.** **13-02**

(52) **U.S. Cl.**
USPC **D13/108**

(58) **Field of Classification Search**
USPC D13/107, 108, 110, 118, 119, 199;
D14/251, 253, 432, 434
CPC Y02E 60/10; H02J 7/0021; H02J 7/0026;
H02J 7/0044; H02J 7/0045; H02J 7/0054;
H02J 7/02; H02J 7/0027; H02J 50/80;
H01M 10/44; H01M 10/46; H05K 5/00;
H05K 5/0018; H02G 3/10; B60L 53/00;
B60L 53/10; B60L 53/12; B60L 53/14;
B60L 53/16; B60L 53/18; B60L 53/31;
B60L 53/50
See application file for complete search history.

(56) **References Cited**

U.S. PATENT DOCUMENTS

D815,034 S *	4/2018	Zhao	D13/107
D870,041 S *	12/2019	Choi	D13/108
D881,161 S	4/2020	Chen		
D884,619 S *	5/2020	Liao	D13/108
D924,796 S *	7/2021	Ye	D28/64.1
D931,207 S *	9/2021	Briggs	D3/294
D943,531 S *	2/2022	Xiao	D13/119

D959,375 S *	8/2022	Ludwig	D13/119
D969,078 S *	11/2022	Dong	D13/110
D970,436 S *	11/2022	Shen	D13/107
D972,508 S *	12/2022	Ke	D13/110
D974,294 S *	1/2023	Yang	D13/108
D976,817 S *	1/2023	Su	D13/108
D977,424 S *	2/2023	Wang	D13/108
D979,497 S *	2/2023	Tseng	D13/110
D983,140 S *	4/2023	She	D13/108
D988,258 S *	6/2023	Liao	D13/108
D993,915 S *	8/2023	Park	D13/108
D993,916 S *	8/2023	Park	D32/31
D997,095 S *	8/2023	Park	D32/31
D997,878 S *	9/2023	Ludwig	D13/103

* cited by examiner

Primary Examiner — Christy Nemeth
(74) *Attorney, Agent, or Firm* — Vladimir Postnikov

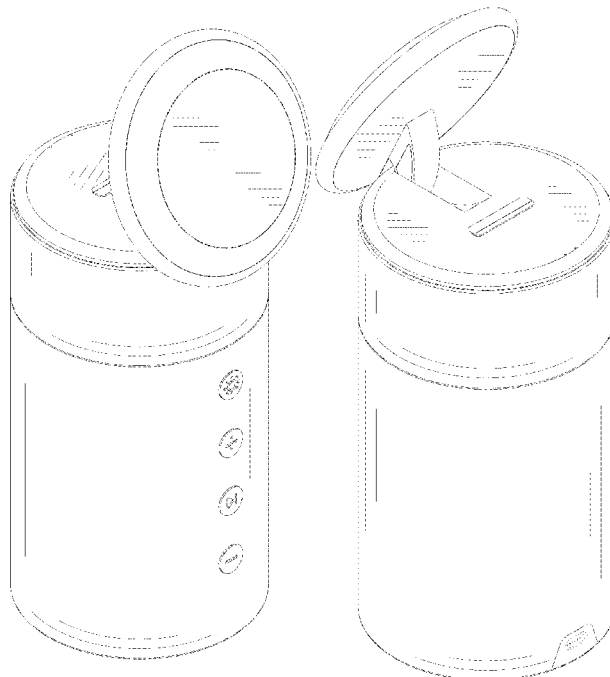
(57) **CLAIM**

The ornamental design for a magnetic wireless charger, as shown and described.

DESCRIPTION

FIG. 1 is a front elevation view of a magnetic wireless charger showing the new design; FIG. 2 is a back elevation view thereof; FIG. 3 is a left-side view thereof; FIG. 4 is a right-side view thereof; FIG. 5 is a top plan view thereof; FIG. 6 is a bottom plan view thereof; FIG. 7 is a front, top perspective view thereof; FIG. 8 is a rear, bottom perspective view thereof; and, FIG. 9 is a rear, top perspective view thereof. The broken lines depict portions of the article that form no part of the claimed design.

1 Claim, 9 Drawing Sheets



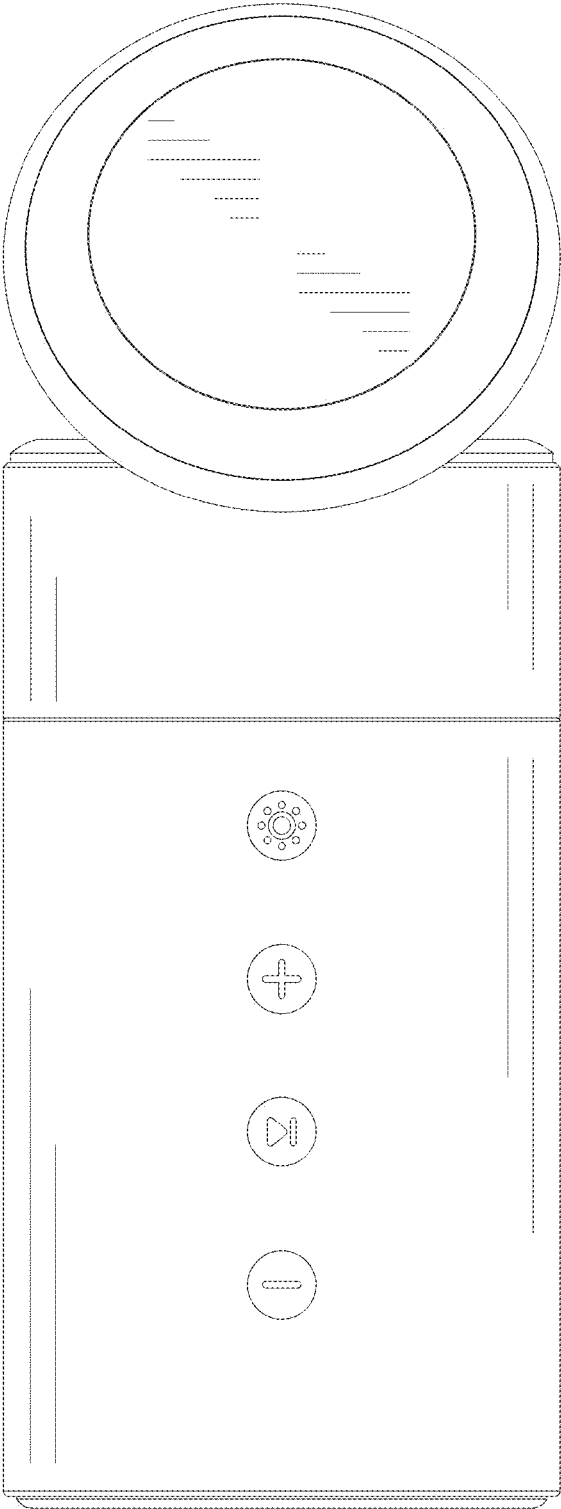


FIG. 1

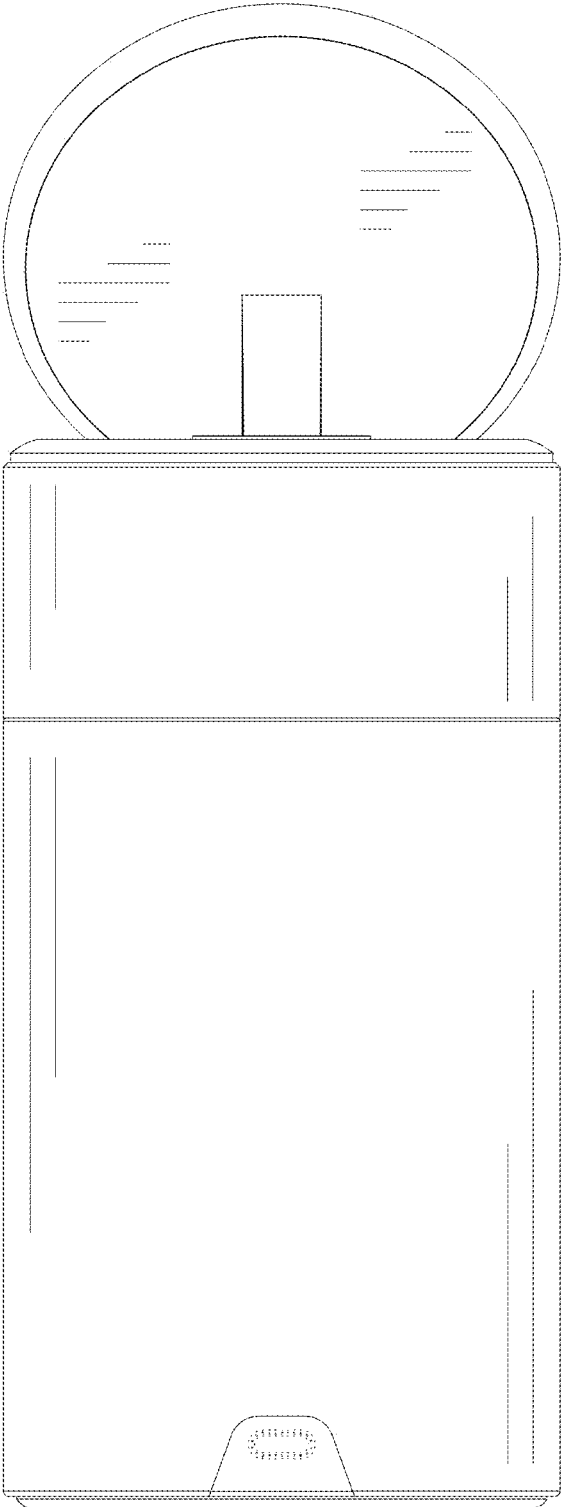


FIG. 2

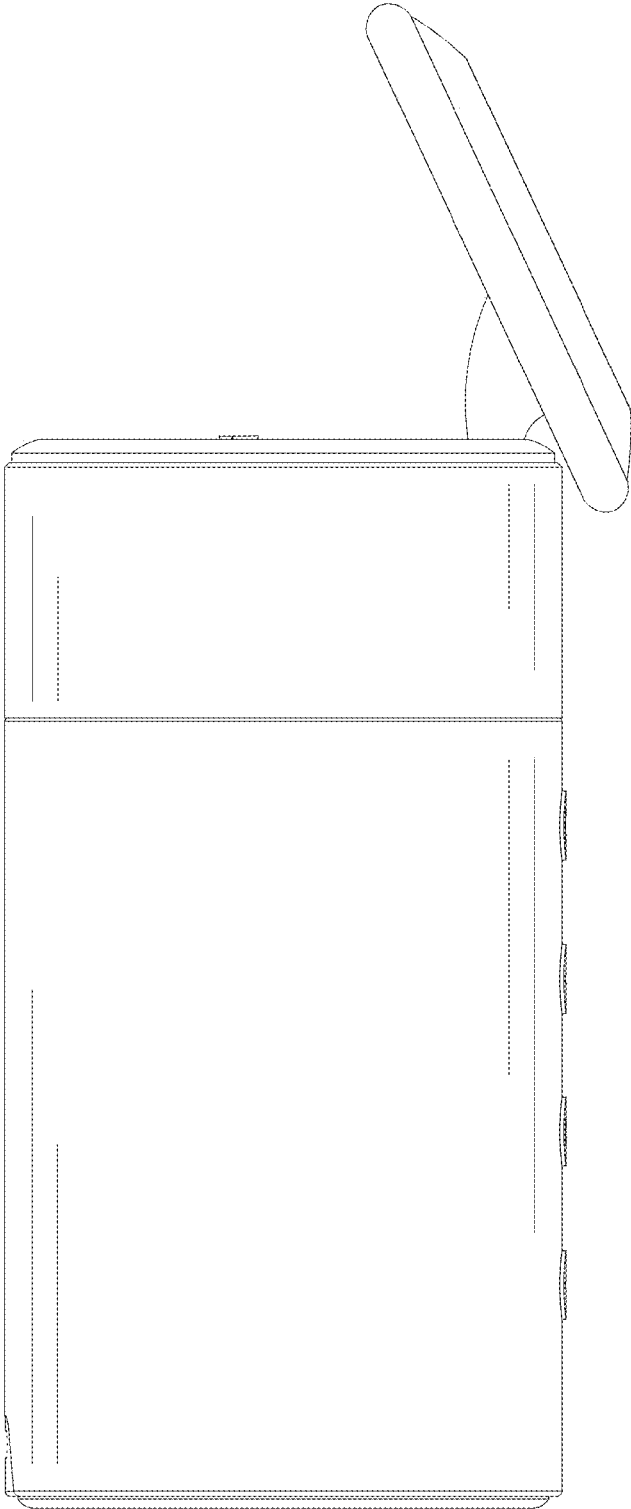


FIG. 3

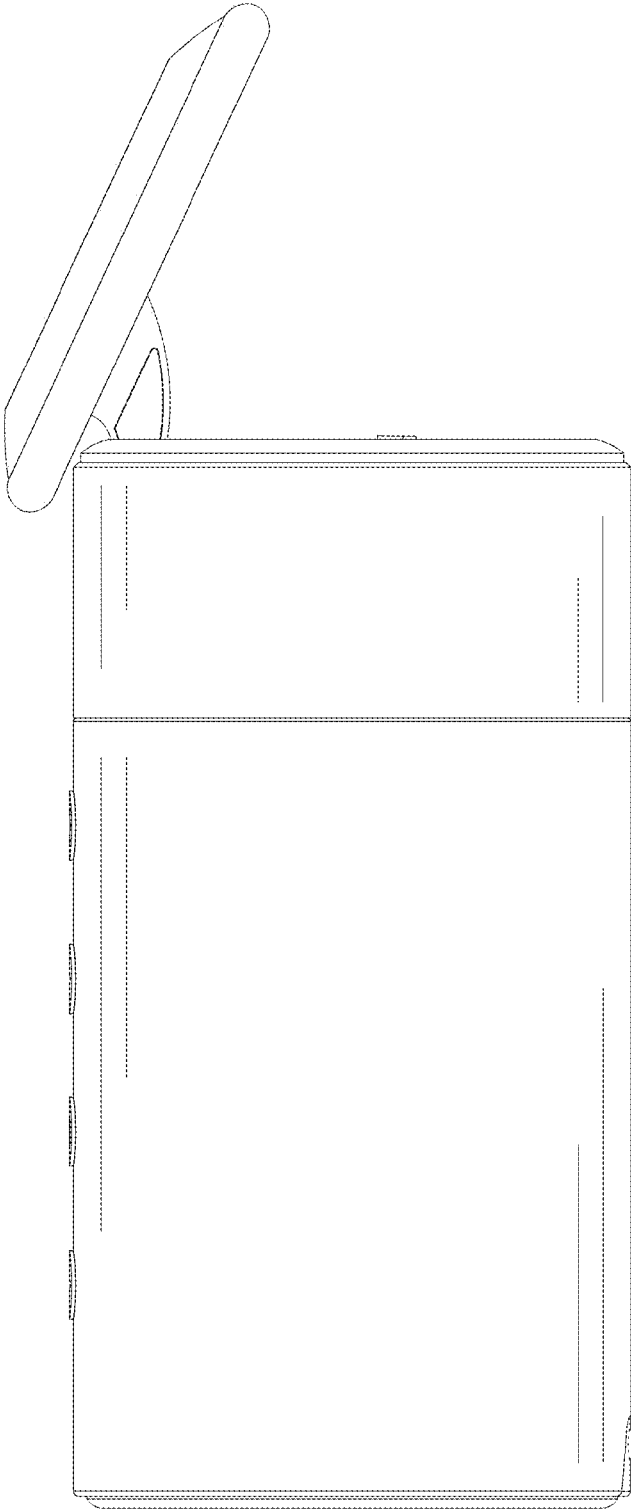


FIG. 4

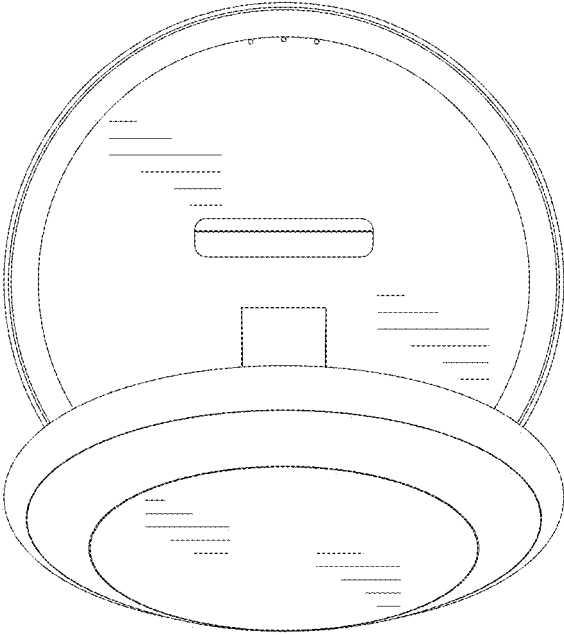


FIG. 5

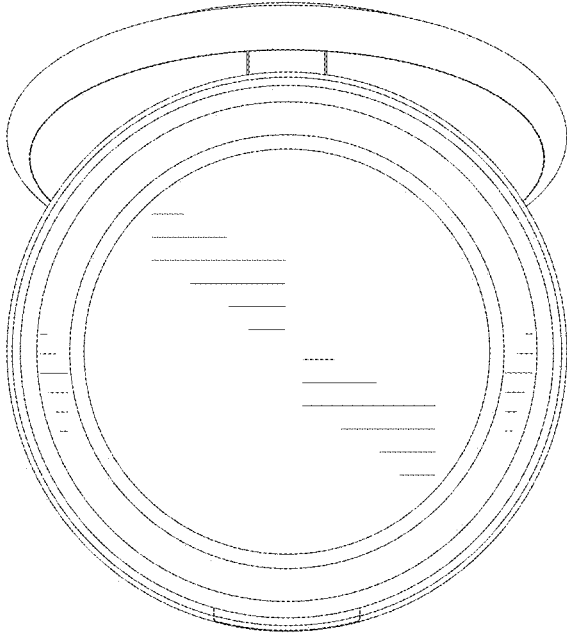


FIG. 6

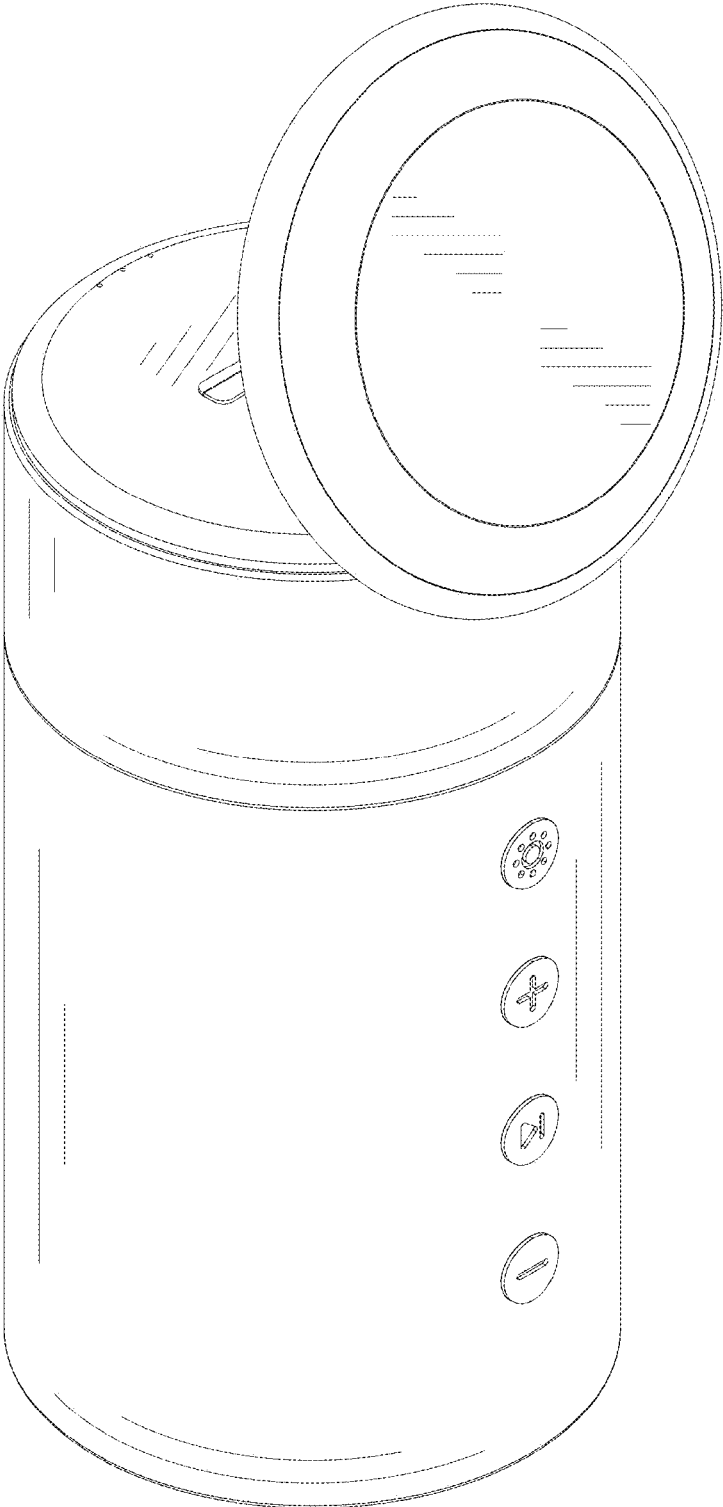


FIG. 7

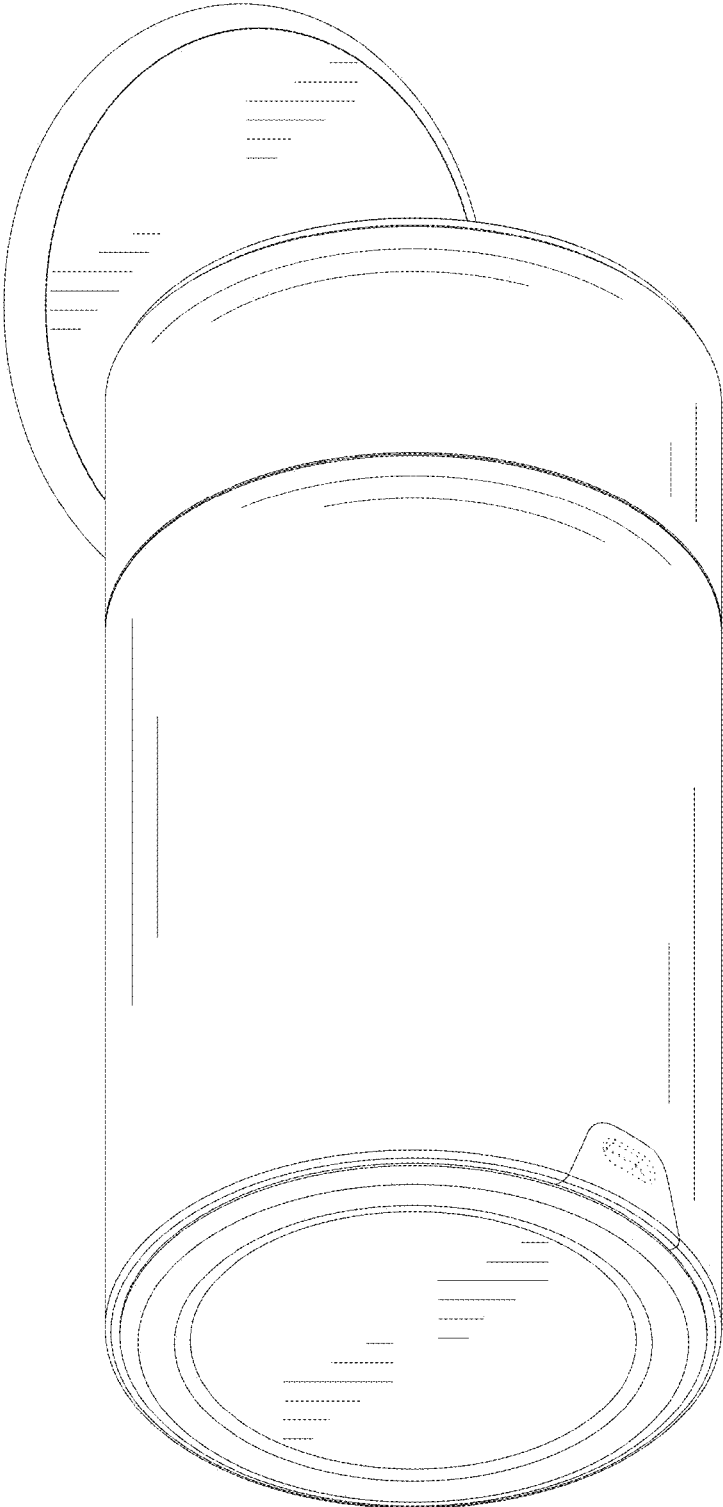


FIG. 8

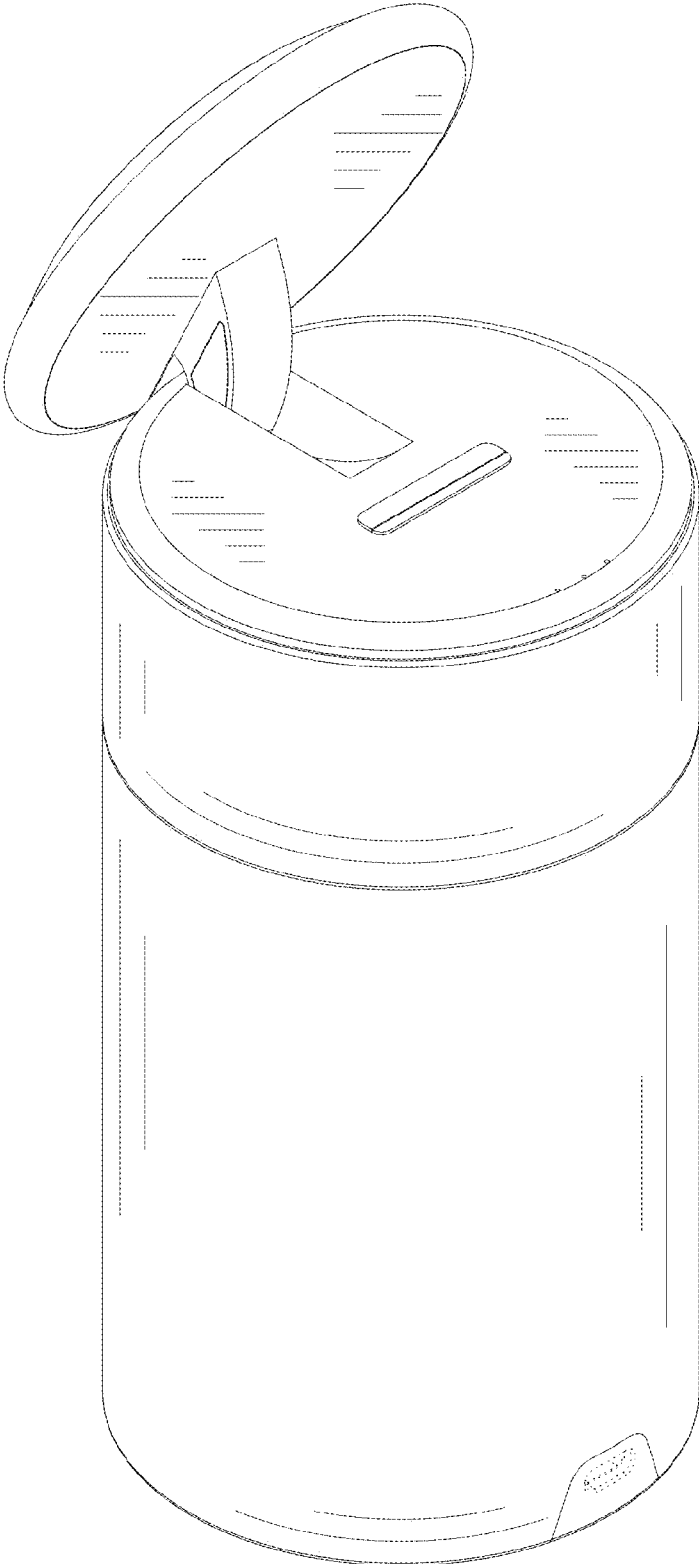


FIG. 9