



US00D804167S

(12) **United States Design Patent**  
**Shaholli et al.**

(10) **Patent No.:** **US D804,167 S**

(45) **Date of Patent:** **\*\* Dec. 5, 2017**

- (54) **BACKPACK WITH AN OWL**
- (71) Applicant: **Puku LLC**, Hollywood, CA (US)
- (72) Inventors: **Karen Shaholli**, Los Angeles, CA (US);  
**Brendan Hutchieson**, Los Angeles, CA (US)
- (73) Assignee: **PUKU LLC**, Hollywood, CA (US)
- (\*\*) Term: **15 Years**
- (21) Appl. No.: **29/585,690**
- (22) Filed: **Nov. 28, 2016**
- (51) **LOC (10) Cl.** ..... **03-01**
- (52) **U.S. Cl.**  
USPC ..... **D3/216; D3/223**
- (58) **Field of Classification Search**  
USPC ..... D3/216, 223, 318  
CPC ..... A45F 4/02; A45F 3/04; A45C 7/00; A45C 9/00; A45C 13/08; A45C 13/30  
See application file for complete search history.

D617,095 S *	6/2010	Braccialini	.....	D3/234
D617,548 S *	6/2010	Gold	.....	D3/216
D620,702 S *	8/2010	Gold	.....	D3/216
D623,238 S *	9/2010	Gold	.....	D3/216
D624,748 S *	10/2010	Gold	.....	D3/216
D685,989 S *	7/2013	Fitl	.....	D3/216
D720,132 S *	12/2014	Zhou	.....	D3/234
D722,234 S *	2/2015	Bendavid	.....	D3/223
D734,024 S *	7/2015	Garcia	.....	D3/216
D745,266 S *	12/2015	Jabbour, Jr.	.....	D21/604
D747,092 S *	1/2016	Jabbour, Jr.	.....	D21/604
9,226,565 B1 *	1/2016	Martin	.....	A45F 4/06

\* cited by examiner

*Primary Examiner* — Holly H Baynham

(74) *Attorney, Agent, or Firm* — Locke Lord LLP; Tim Tingkang Xia, Esq.

(57) **CLAIM**

The ornamental design for a backpack with an owl, as shown and described.

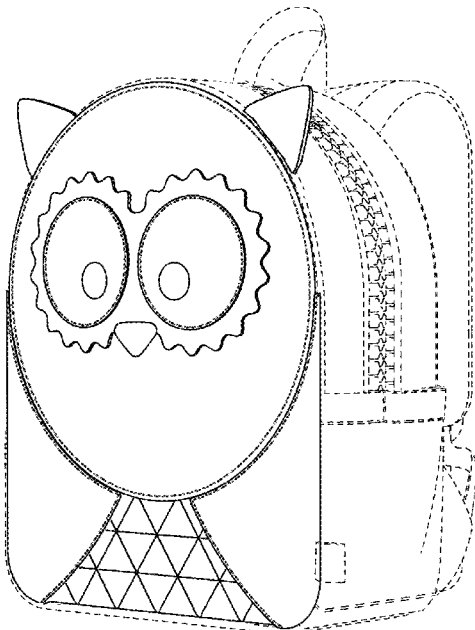
**DESCRIPTION**

- FIG. 1 is a perspective view of a backpack with an owl, according to the design;
- FIG. 2 is another perspective view thereof;
- FIG. 3 is a front elevation view thereof;
- FIG. 4 is a rear elevation view thereof;
- FIG. 5 is a right side elevation view thereof;
- FIG. 6 is a left side elevation view thereof;
- FIG. 7 is a top plan view thereof; and,
- FIG. 8 is a bottom plan view thereof.

The broken lines showing of a backpack are for the purpose of illustrating environmental structures of the backpack with an owl and form no part of the claimed design.

**1 Claim, 8 Drawing Sheets**

- (56) **References Cited**  
U.S. PATENT DOCUMENTS
- 2,504,551 A \* 4/1950 Levinson ..... A45C 13/08  
150/111
- D335,027 S \* 4/1993 Flood ..... D21/655
- D358,476 S \* 5/1995 Winkos ..... D3/235
- D372,357 S \* 8/1996 Woods ..... D3/234
- D438,700 S \* 3/2001 Willingham ..... A45F 3/04  
D3/216
- 6,510,974 B2 \* 1/2003 Willingham ..... A45C 7/0095  
190/16
- D606,746 S \* 12/2009 Braccialini ..... D3/238
- D614,398 S \* 4/2010 Gold ..... D3/216



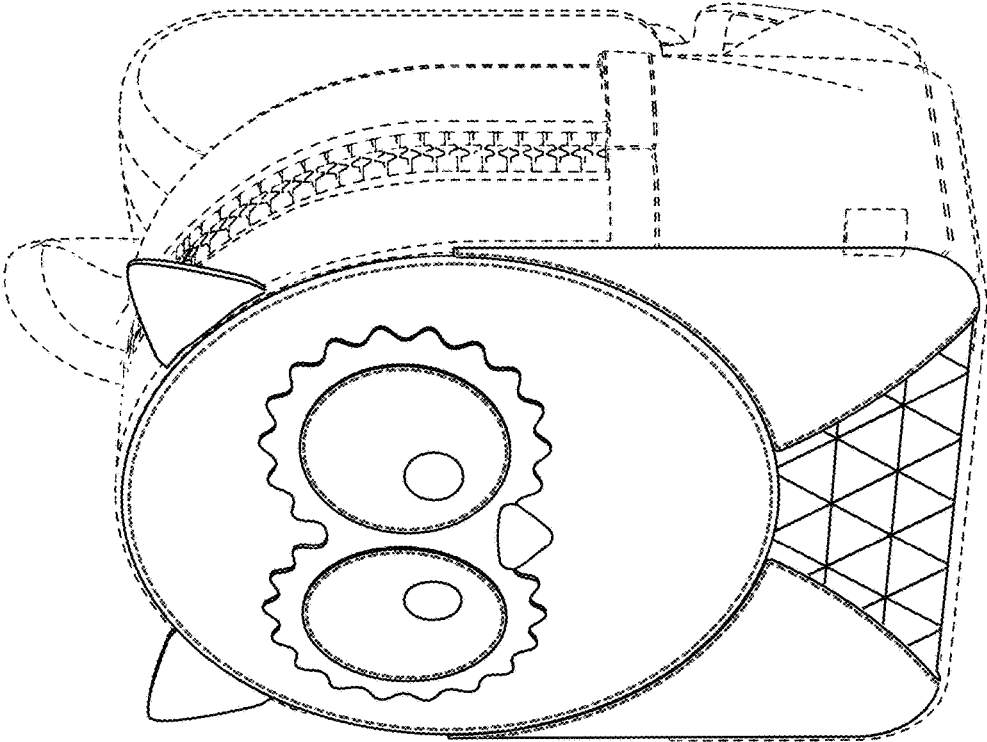
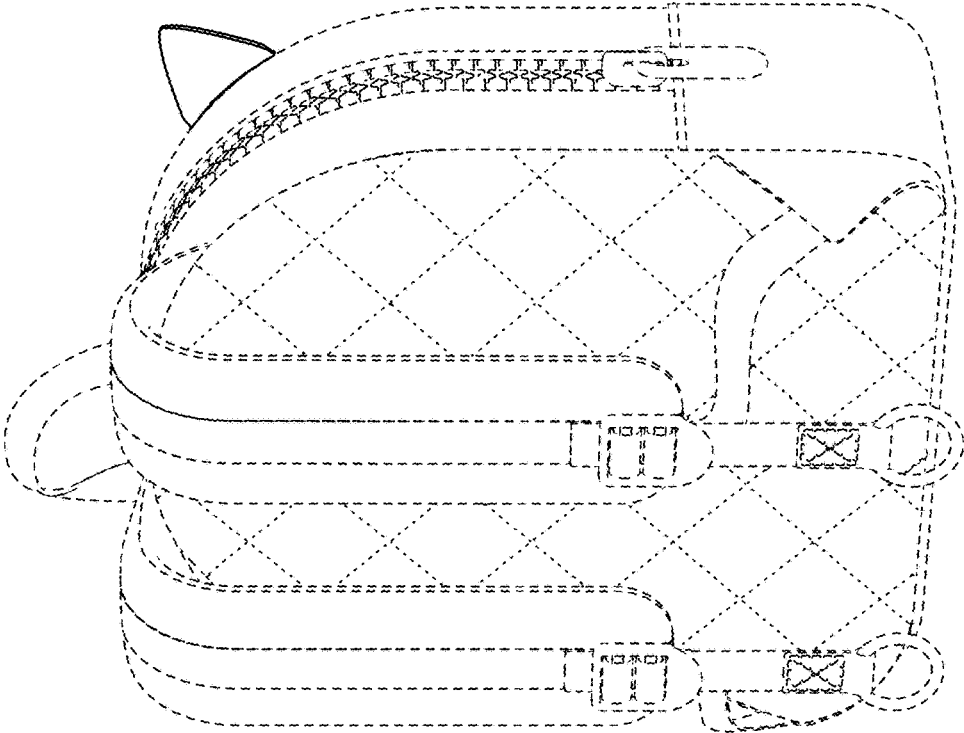


FIG. 1



**FIG. 2**

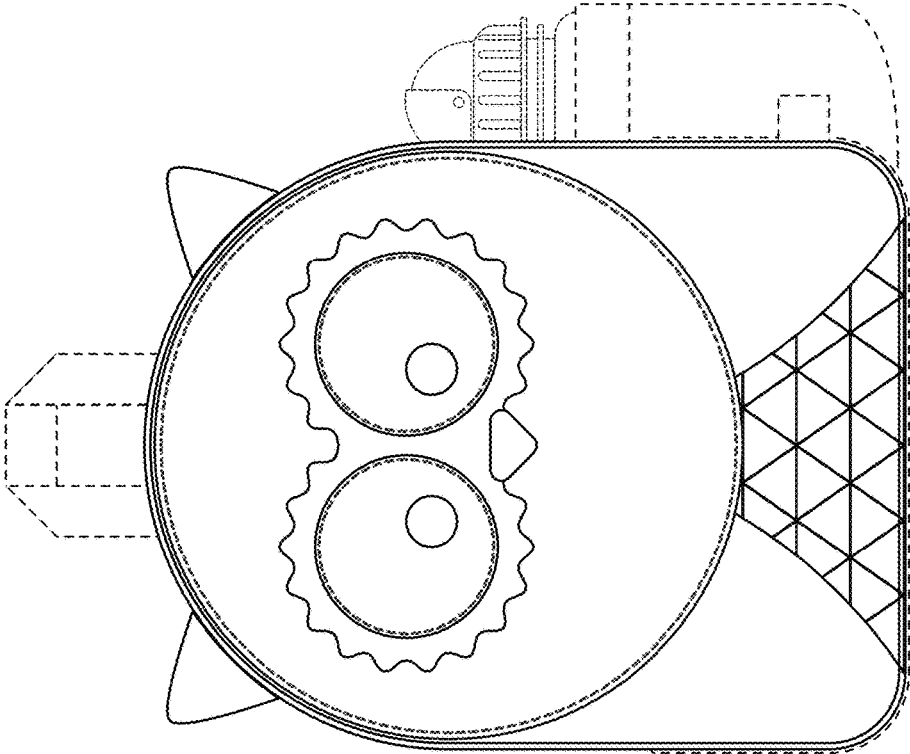
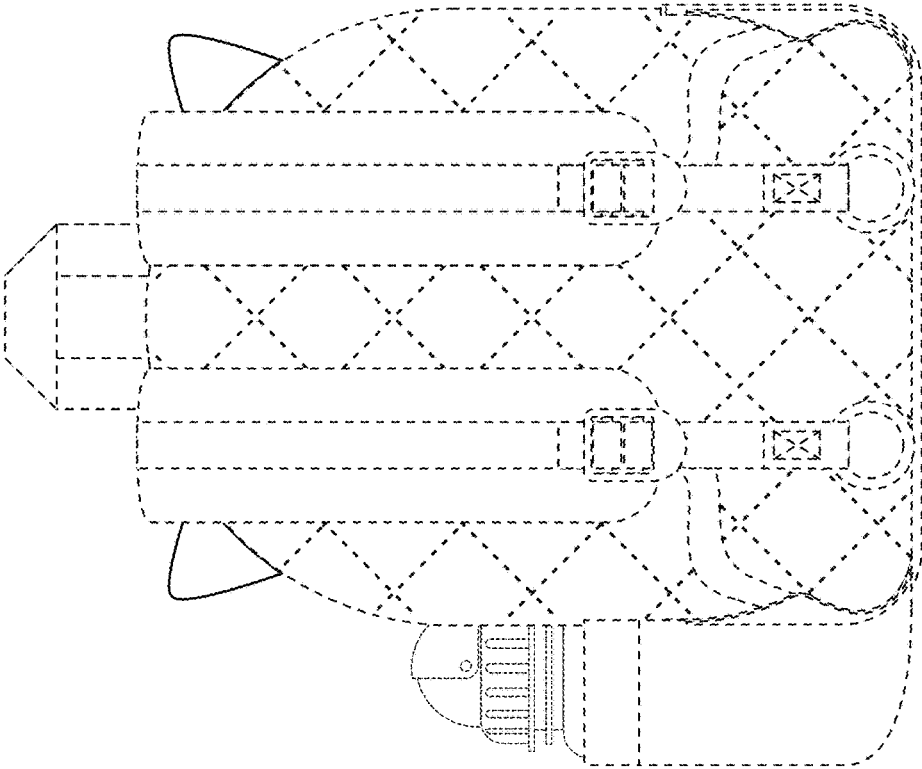
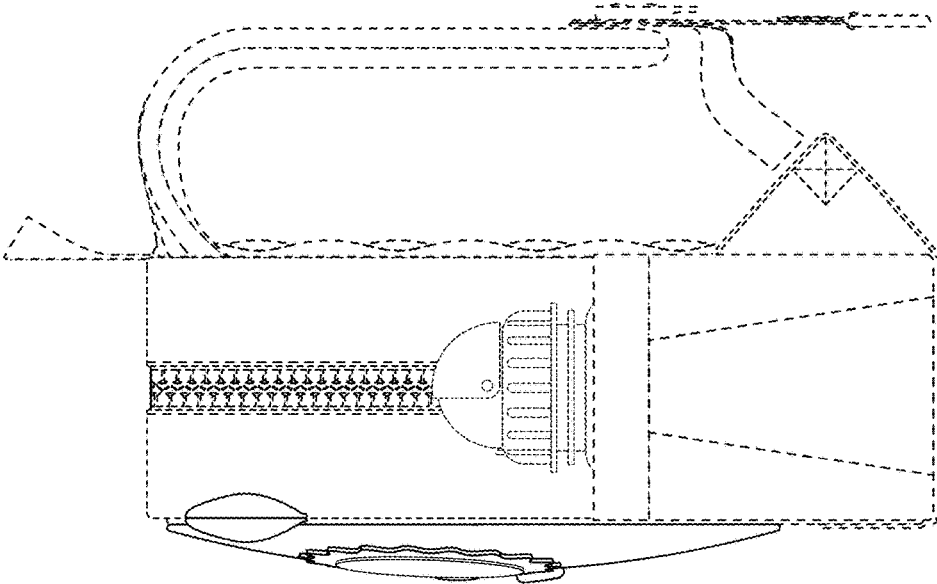


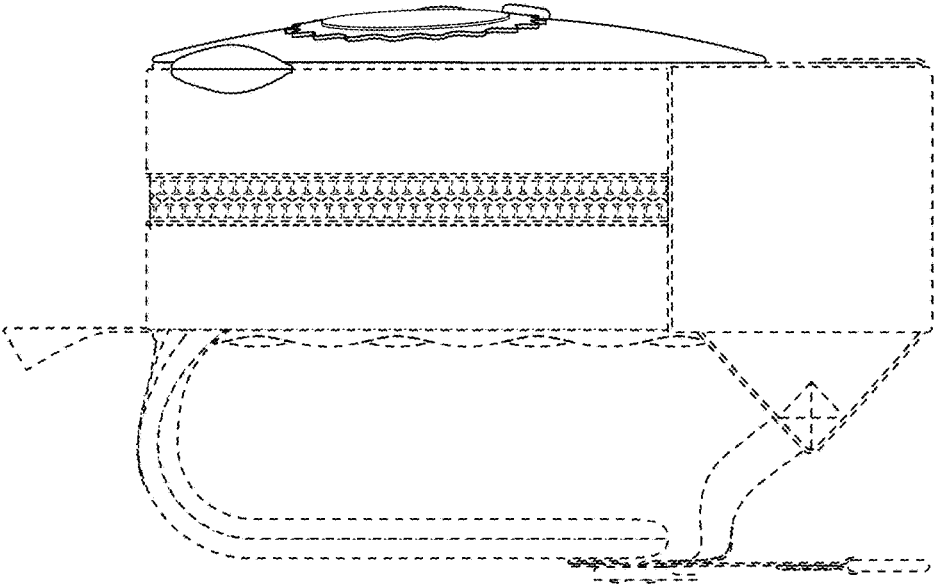
FIG. 3



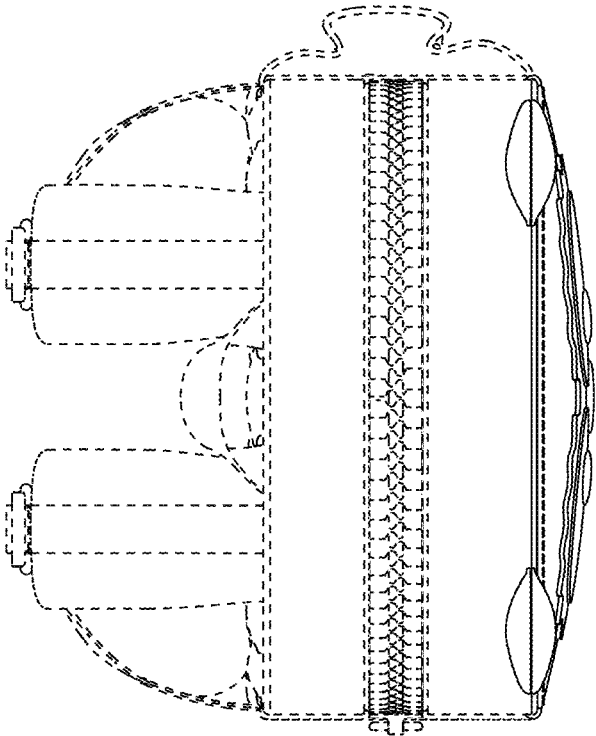
**FIG. 4**



**FIG. 5**

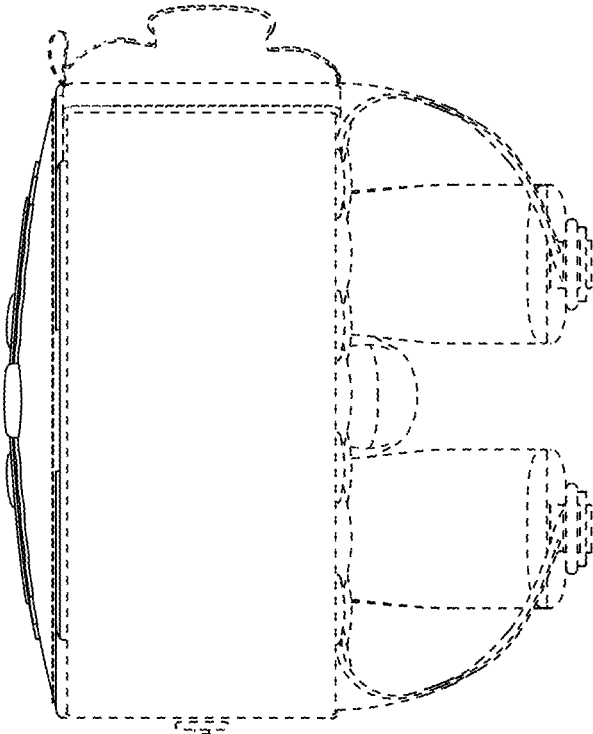


**FIG. 6**



**FIG. 7**





**FIG. 8**