

(19) World Intellectual Property  
Organization  
International Bureau



(43) International Publication Date  
5 February 2004 (05.02.2004)

PCT

(10) International Publication Number  
WO 2004/012435 A3

(51) International Patent Classification<sup>7</sup>: G02B 27/00,  
5/00, 7/00

(21) International Application Number:  
PCT/US2003/022369

(22) International Filing Date: 18 July 2003 (18.07.2003)

(25) Filing Language: English

(26) Publication Language: English

(30) Priority Data:  
60/399,051 26 July 2002 (26.07.2002) US

CZ, DE, DK, DM, DZ, EC, EE, ES, FI, GB, GD, GE, GH,  
GM, HR, HU, ID, IL, IN, IS, JP, KE, KG, KP, KR, KZ, LC,  
LK, LR, LS, LT, LU, LV, MA, MD, MG, MK, MN, MW,  
MX, MZ, NI, NO, NZ, OM, PG, PH, PL, PT, RO, RU, SC,  
SD, SE, SG, SK, SL, SY, TJ, TM, TN, TR, TT, TZ, UA,  
UG, UZ, VC, VN, YU, ZA, ZM, ZW.

(84) Designated States (*regional*): ARIPO patent (GH, GM,  
KE, LS, MW, MZ, SD, SL, SZ, TZ, UG, ZM, ZW),  
Eurasian patent (AM, AZ, BY, KG, KZ, MD, RU, TJ, TM),  
European patent (AT, BE, BG, CH, CY, CZ, DE, DK, EE,  
ES, FI, FR, GB, GR, HU, IE, IT, LU, MC, NL, PT, RO,  
SE, SI, SK, TR), OAPI patent (BF, BJ, CF, CG, CI, CM,  
GA, GN, GQ, GW, ML, MR, NE, SN, TD, TG).

(71) Applicant and  
(72) Inventor: TICHY, James, B. [US/US]; P.O. Box 1308,  
Sausalito, CA 94966 (US).

Published:  
— with international search report

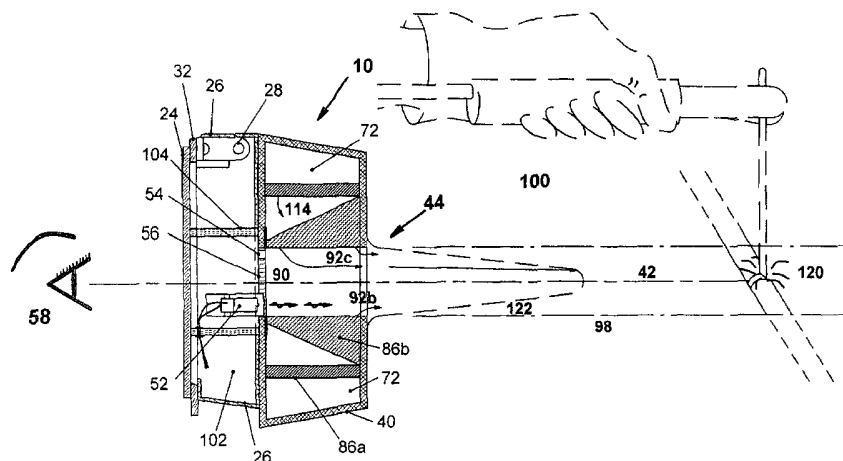
(74) Agents: HANN, James, F. et al.; Haynes Beffel & Wolfeld  
LLP, P.O. Box 366, Half Moon Bay, CA 94109 (US).

(88) Date of publication of the international search report:  
26 May 2005

(81) Designated States (*national*): AE, AG, AL, AM, AT, AU,  
AZ, BA, BB, BG, BR, BY, BZ, CA, CH, CN, CO, CR, CU,

For two-letter codes and other abbreviations, refer to the "Guid-  
ance Notes on Codes and Abbreviations" appearing at the begin-  
ning of each regular issue of the PCT Gazette.

(54) Title: VIEWING ENHANCING APPARATUS FOR VISIBILITY IMPAIRED FLUID



(57) Abstract: Viewing enhancing apparatus (10) for visibility impaired fluid, such as turbid water or a smoke-filled room, includes a fluid-permeable sidewall (86) and a housing (40) defining a confluence cavity (90) having an axis (62) extending between first and second housing ends. The housing ends are connected by the sidewall. The second housing end is open (44). The sidewall has a proximal end towards the first housing end and a distal end towards the second housing end. The housing defines a supply cavity (72) surrounding the sidewall and coupleable to a source (34) of viewing fluid, typically clear water when operating in a turbid water environment. The sidewall provides a resistance to flow of the viewing fluid therethrough, the resistance varying according to the position on the sidewall. The viewing fluid passes through the confluence cavity and exits the second housing end. This creates a chosen velocity profile (122) for the viewing fluid exiting the second housing end.

WO 2004/012435 A3

# INTERNATIONAL SEARCH REPORT

International application No.

PCT/US03/22369

**A. CLASSIFICATION OF SUBJECT MATTER**  
 IPC(7) : G02B 27/00, 5/00, 7/00  
 US CL : 359/895; 396/28; 348/81; 441/135; 128/201.27; 405/186  
 According to International Patent Classification (IPC) or to both national classification and IPC

**B. FIELDS SEARCHED**  
 Minimum documentation searched (classification system followed by classification symbols)  
 U.S. : 359/894, 895; 396/25, 28; 348/81; 441/135; 128/201.27, 201.29; 405/186

Documentation searched other than minimum documentation to the extent that such documents are included in the fields searched

Electronic data base consulted during the international search (name of data base and, where practicable, search terms used)  
 EAST

**C. DOCUMENTS CONSIDERED TO BE RELEVANT**

Category *	Citation of document, with indication, where appropriate, of the relevant passages	Relevant to claim No.
A	US 3,565,516 A (THOMAS et al.) 25 July 1969 (25.07.1969), Figure 5	1-43
A	US 3,838,434 A (HUGHES et al.) 24 September 1974 (24.09.1974), Figure 2	1-43
A	US 4,536,789 A (BAINS) 20 August 1985 (20.08.1985), Figure 5	1-43
A	US 5,678,091A (DASPIT) 14 October 1997 (14.10.1997), Figure 2	1-43

Further documents are listed in the continuation of Box C.       See patent family annex.

* Special categories of cited documents:	"T"	later document published after the international filing date or priority date and not in conflict with the application but cited to understand the principle or theory underlying the invention
"A" document defining the general state of the art which is not considered to be of particular relevance	"X"	document of particular relevance; the claimed invention cannot be considered novel or cannot be considered to involve an inventive step when the document is taken alone
"E" earlier application or patent published on or after the international filing date	"Y"	document of particular relevance; the claimed invention cannot be considered to involve an inventive step when the document is combined with one or more other such documents, such combination being obvious to a person skilled in the art
"L" document which may throw doubts on priority claim(s) or which is cited to establish the publication date of another citation or other special reason (as specified)	"&"	document member of the same patent family
"O" document referring to an oral disclosure, use, exhibition or other means		
"P" document published prior to the international filing date but later than the priority date claimed		

Date of the actual completion of the international search 21 January 2005 (21.01.2005)	Date of mailing of the international search report <b>01 MAR 2005</b>
---	--

Name and mailing address of the ISA/US Mail Stop PCT, Attn: ISA/US Commissioner for Patents P.O. Box 1450 Alexandria, Virginia 22313-1450 Facsimile No. (703)305-3230	Authorized officer Leo Boutsikaris, Ph.D. Telephone No. 571-272-2308  <b>DEBORAH A. THOMAS</b> <b>PARALEGAL SPECIALIST</b> <del>GROUP 1300</del>
--	--