

(19) World Intellectual Property  
Organization  
International Bureau



(43) International Publication Date  
9 December 2004 (09.12.2004)

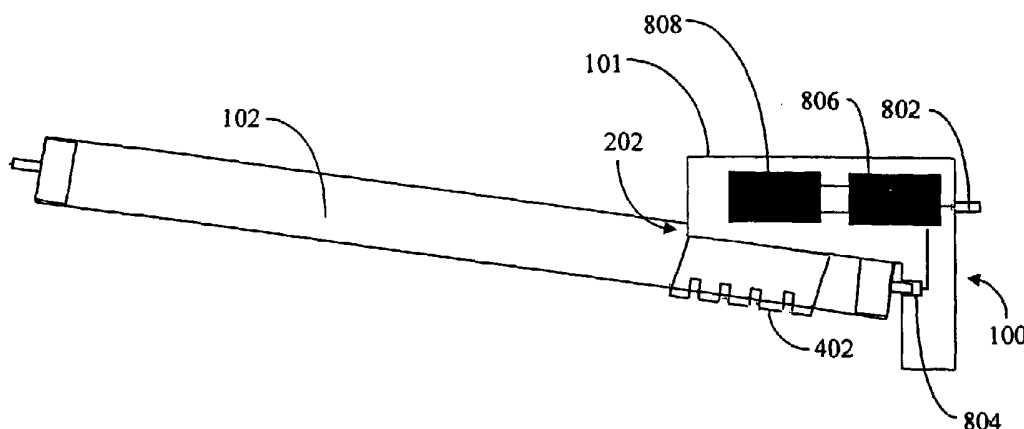
PCT

(10) International Publication Number  
WO 2004/107771 A3

- (51) International Patent Classification<sup>7</sup>: H05B 37/02, (81) Designated States (unless otherwise indicated, for every kind of national protection available): AE, AG, AL, AM, AT, AU, AZ, BA, BB, BG, BR, BW, BY, BZ, CA, CH, CN, CO, CR, CU, CZ, DE, DK, DM, DZ, EC, EE, EG, ES, FI, GB, GD, GE, GH, GM, HR, HU, ID, IL, IN, IS, JP, KE, KG, KP, KR, KZ, LC, LK, LR, LS, LT, LU, LV, MA, MD, MG, MK, MN, MW, MX, MZ, NA, NI, NO, NZ, OM, PG, PH, PL, PT, RO, RU, SC, SD, SE, SG, SK, SL, SY, TJ, TM, TN, TR, TT, TZ, UA, UG, UZ, VC, VN, YU, ZA, ZM, ZW.
- (21) International Application Number: PCT/US2004/015955
- (22) International Filing Date: 21 May 2004 (21.05.2004)
- (25) Filing Language: English
- (26) Publication Language: English
- (30) Priority Data:  
60/472,393 22 May 2003 (22.05.2003) US  
60/513,720 24 October 2003 (24.10.2003) US  
60/518,506 7 November 2003 (07.11.2003) US  
10/790,644 1 March 2004 (01.03.2004) US
- (71) Applicant: NXSTEPS COMMUNICATIONS [US/US];  
860 Johnson Ferry Road, Suite 150-300, Atlanta, GA 30324 (US).
- (72) Inventor: ROACH, Peter, O., Jr.; 1150 Ives Court, Atlanta, GA 30319 (US).
- (74) Agents: PAVENTO, Michael, S. et al.; King & Spalding LLP, 191 Peachtree Street, 45th Floor, Atlanta, GA 30303-1763 (US).
- (84) Designated States (unless otherwise indicated, for every kind of regional protection available): ARIPO (BW, GH, GM, KE, LS, MW, MZ, NA, SD, SL, SZ, TZ, UG, ZM, ZW), Eurasian (AM, AZ, BY, KG, KZ, MD, RU, TJ, TM), European (AT, BE, BG, CH, CY, CZ, DE, DK, EE, ES, FI, FR, GB, GR, HU, IE, IT, LU, MC, NL, PL, PT, RO, SE, SI, SK, TR), OAPI (BF, BJ, CF, CG, CI, CM, GA, GN, GQ, GW, ML, MR, NE, SN, TD, TG).
- Published:  
— with international search report  
— before the expiration of the time limit for amending the claims and to be republished in the event of receipt of amendments
- (88) Date of publication of the international search report:  
7 April 2005

[Continued on next page]

(54) Title: METHODS AND APPARATUSES FOR MOUNTING A WIRELESS NETWORK COMPONENT TO A FLUORESCENT LIGHT



(57) Abstract: The invention provides methods and apparatuses for mounting a wireless network component (100) to a fluorescent light (102). The internal electronics of the wireless network component (100) are contained within a housing (101). Attachment means (104) are used to attach the housing (101) to a fluorescent lamp (102). The attachment means (104) may comprise a support tube (402) removably attached to the housing (101). The support tube (402) fits over the fluorescent lamp (102) and attaches to the housing (101) to secure the wireless network component (100) to the fluorescent lamp (102). Alternatively, the housing (101) may include power coupling pins (802) on one side and fluorescent lamp pin connectors (804) on the opposite side. The power coupling pins (802) fit into one receptacle (604) of the fluorescent light fixture (602) and the pins of the fluorescent lamp (102) are inserted into the fluorescent lamp pin connectors (804) of the housing such that the wireless network component (100) is mounted between the fluorescent lamp and the fluorescent light fixture.

WO 2004/107771 A3



---

*For two-letter codes and other abbreviations, refer to the "Guidance Notes on Codes and Abbreviations" appearing at the beginning of each regular issue of the PCT Gazette.*

# INTERNATIONAL SEARCH REPORT

International application No.

PCT/US04/15955

<b>A. CLASSIFICATION OF SUBJECT MATTER</b> IPC(7) : H05B 37/02; H04B 3/00; H04M 11/00 US CL : 315/149, 155, 34; 340/310 A, 310 R, 310 CP; 359/152, 172 According to International Patent Classification (IPC) or to both national classification and IPC		
<b>B. FIELDS SEARCHED</b> Minimum documentation searched (classification system followed by classification symbols) U.S. : 315/149, 155, 34; 340/310 A, 310 R, 310 CP; 359/152, 172 Documentation searched other than minimum documentation to the extent that such documents are included in the fields searched Electronic data base consulted during the international search (name of data base and, where practicable, search terms used)		
<b>C. DOCUMENTS CONSIDERED TO BE RELEVANT</b>		
Category *	Citation of document, with indication, where appropriate, of the relevant passages	Relevant to claim No.
A	US 5,278,536 A (FURTOW et al) 11 January 1994 (11, 01, 1994), entire document.	1-49
A	US 2004/0192227 A1 (BEACH et al) 30 September 2004 (30, 09, 2004), entire document.	1-49
A	US 5,424,859 A (UEHARA et al) 13 June 1995 (13, 06, 1995), entire document.	1-49
<input type="checkbox"/> Further documents are listed in the continuation of Box C. <input type="checkbox"/> See patent family annex.		
* Special categories of cited documents:		
"A" document defining the general state of the art which is not considered to be of particular relevance	"T" later document published after the international filing date or priority date and not in conflict with the application but cited to understand the principle or theory underlying the invention	
"E" earlier application or patent published on or after the international filing date	"X" document of particular relevance; the claimed invention cannot be considered novel or cannot be considered to involve an inventive step when the document is taken alone	
"L" document which may throw doubts on priority claim(s) or which is cited to establish the publication date of another citation or other special reason (as specified)	"Y" document of particular relevance; the claimed invention cannot be considered to involve an inventive step when the document is combined with one or more other such documents, such combination being obvious to a person skilled in the art	
"O" document referring to an oral disclosure, use, exhibition or other means	"&" document member of the same patent family	
"P" document published prior to the international filing date but later than the priority date claimed		
Date of the actual completion of the international search 09 December 2004 (09.12.2004)	Date of mailing of the international search report <b>10 FEB 2005</b>	
Name and mailing address of the ISA/US Mail Stop PCT, Attn: ISA/US Commissioner for Patents P.O. Box 1450 Alexandria, Virginia 22313-1450 Facsimile No. (703) 305-3230	Authorized officer CHUC TRAN Telephone No. (571) 272-1829 <i>Jean Pro-Paralegal</i>	