



US0D1069201S

(12) **United States Design Patent**
Liu

(10) **Patent No.:** **US D1,069,201 S**

(45) **Date of Patent:** **** Apr. 1, 2025**

(54) **LED GROW LIGHT**

FOREIGN PATENT DOCUMENTS

(71) Applicant: **Guangdong Hengtai Lighting Technology Co., Ltd.**, Zhongshan (CN)

EM 015083106-0001 * 11/2024

(72) Inventor: **Liang Liu**, Shenzhen (CN)

OTHER PUBLICATIONS

(73) Assignee: **Guangdong Hengtai Lighting Technology Co., Ltd.**, Zhongshan (CN)

GoongTop LED Grow Light, Mar. 23, 2020, Amazon, site visited Jan. 23, 2025, URL: <https://www.amazon.ca/dp/B085CDPSMR> (Year: 2020).*

(**) Term: **15 Years**

(Continued)

(21) Appl. No.: **29/974,174**

Primary Examiner — T Chase Nelson

Assistant Examiner — Rachel Wolfe

(22) Filed: **Nov. 20, 2024**

(74) *Attorney, Agent, or Firm* — Mehdi (Afshin)

(51) **LOC (15) Cl.** **26-05**

Zamanpour

(52) **U.S. Cl.**
USPC **D26/60**; D26/138

(57) **CLAIM**

(58) **Field of Classification Search**
USPC D26/60–66, 113, 138, 140; D8/72, 74,
D8/394, 395, 398

The ornamental design for a LED grow light, as shown and described.

CPC ... F21S 6/00; F21S 6/002; F21S 6/003; F21V
21/08; F21V 21/088; F21V 21/0885;
F21W 2131/30

DESCRIPTION

See application file for complete search history.

FIG. 1 is a front perspective view of a LED grow light, showing my new design;
FIG. 2 is a rear perspective view thereof;
FIG. 3 is a front view thereof;
FIG. 4 is a rear view thereof;
FIG. 5 is a left side view thereof;
FIG. 6 is a right side view thereof;
FIG. 7 is an enlarged top view thereof;
FIG. 8 is an enlarged bottom view thereof;
FIG. 9 is a perspective view of the LED grow light shown in an alternate configuration of use; and,
FIG. 10 is an enlarged detail view of area 10 in FIG. 1.
The broken lines in the drawings illustrate the portions of the LED grow light, which form no part of the claimed design. The dash-dot-dash broken lines encircling the enlarged views are for annotative purposes only and form no part of the claim thereof.

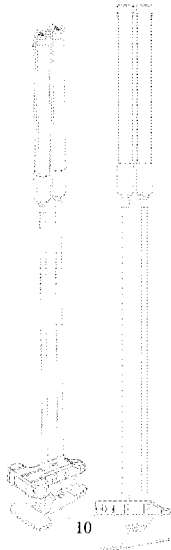
(56) **References Cited**

U.S. PATENT DOCUMENTS

D498,322	S	*	11/2004	Schnell	D26/62
D670,845	S	*	11/2012	Hsu	D26/62
D824,062	S	*	7/2018	Qiu	D26/60
D838,887	S	*	1/2019	Su	D26/60
D878,654	S	*	3/2020	Lin	D26/60
D903,174	S	*	11/2020	Chen	D26/106
D921,255	S	*	6/2021	Jia	D26/60
D925,800	S	*	7/2021	He	D26/60
D939,135	S	*	12/2021	Lai	D26/60
D948,096	S	*	4/2022	Zhang	D26/60
D948,097	S	*	4/2022	Zhang	D26/60
D950,121	S	*	4/2022	He	D26/60
D950,819	S	*	5/2022	Guo	D26/60
D958,431	S	*	7/2022	Lai	D26/60

(Continued)

1 Claim, 10 Drawing Sheets



(56)

References Cited

U.S. PATENT DOCUMENTS

D962,515 S *	8/2022	Huang	F21S 6/00 D26/60
D998,847 S *	9/2023	Huang	D26/60
D998,848 S *	9/2023	Rajasekaran	D26/60
D1,002,049 S *	10/2023	Liu	D26/62
D1,010,894 S *	1/2024	Yang	D26/60
D1,041,063 S	9/2024	Luo	
2010/0238644 A1 *	9/2010	Huang	F21S 6/003 362/33

OTHER PUBLICATIONS

Melofo LED Grow Lights Bars for Indoor Plants, Nov. 20, 2023, Amazon, site visited Jan. 23, 2025, URL: <https://www.amazon.co.uk/dp/B0CNPKXZDW?th=1> (Year: 2023).*

Anpassen LED Plant Light, Mar. 30, 2024, Amazon, site visited Jan. 23, 2025, URL: <https://www.amazon.co.uk/dp/B0CZHJCCQQ?th=1> (Year: 2024).*

* cited by examiner

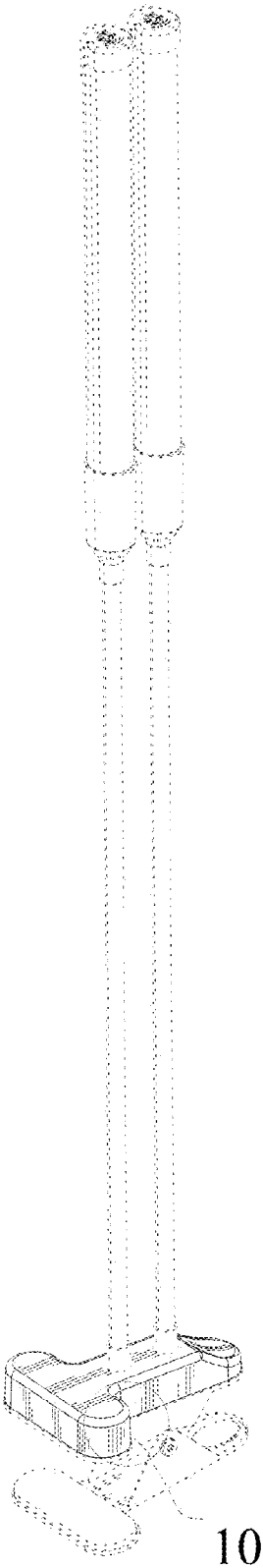


FIG. 1

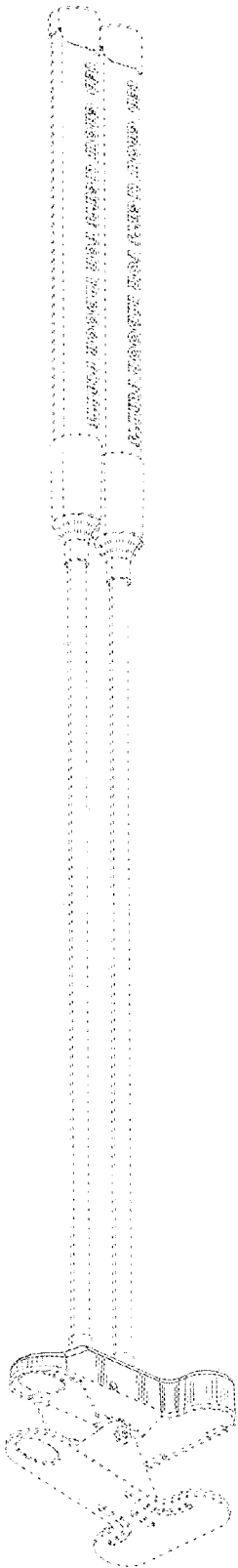


FIG. 2

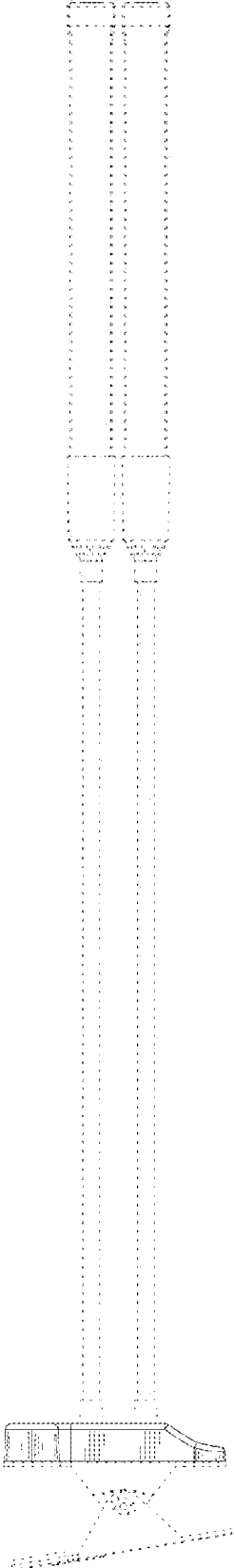


FIG. 3

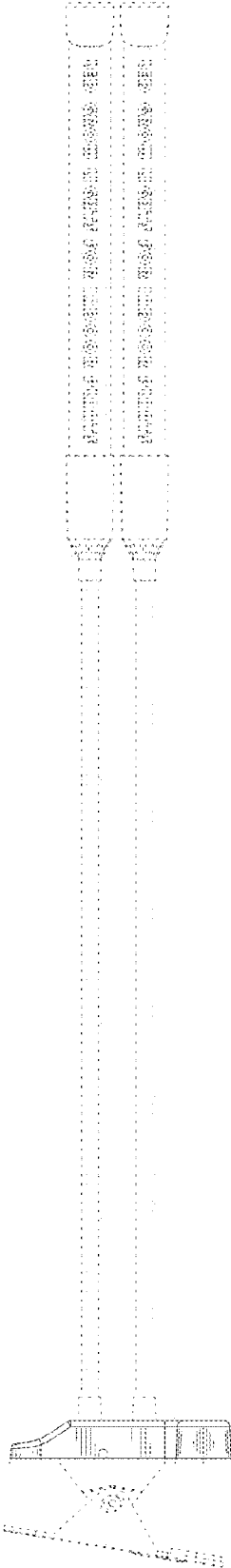


FIG. 4

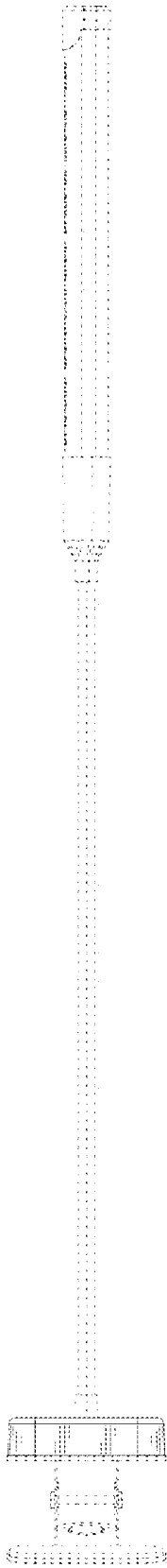


FIG. 5

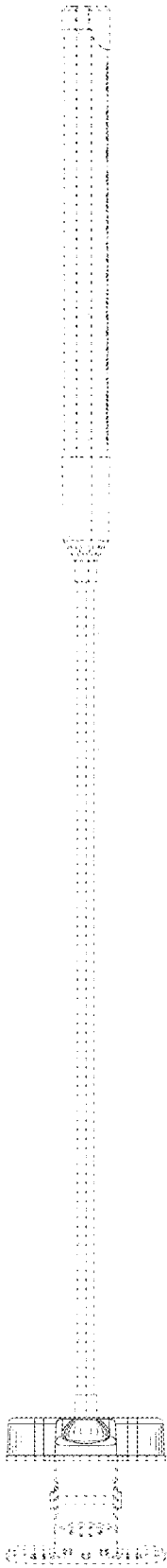


FIG. 6

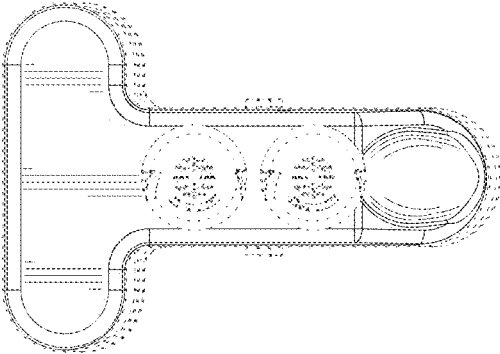


FIG. 7

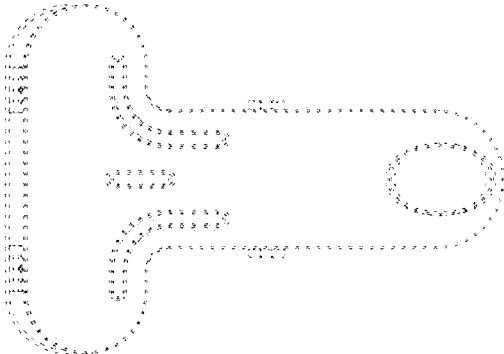


FIG. 8

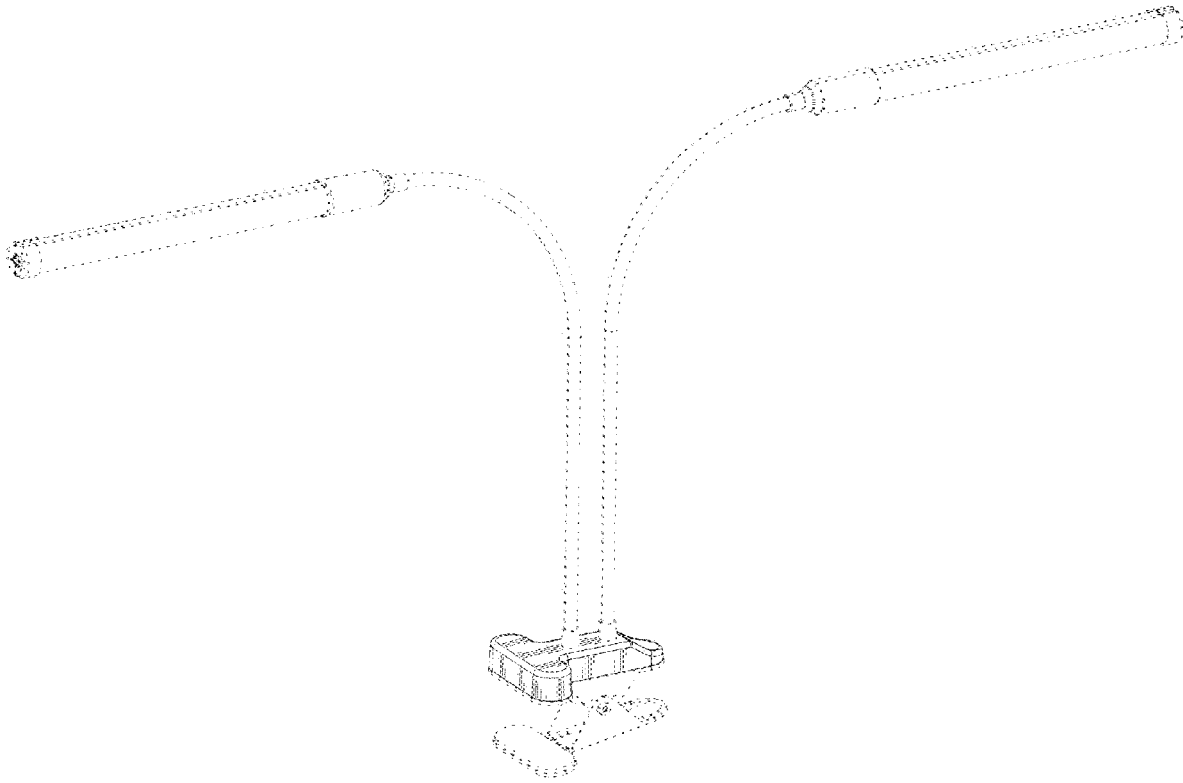


FIG. 9

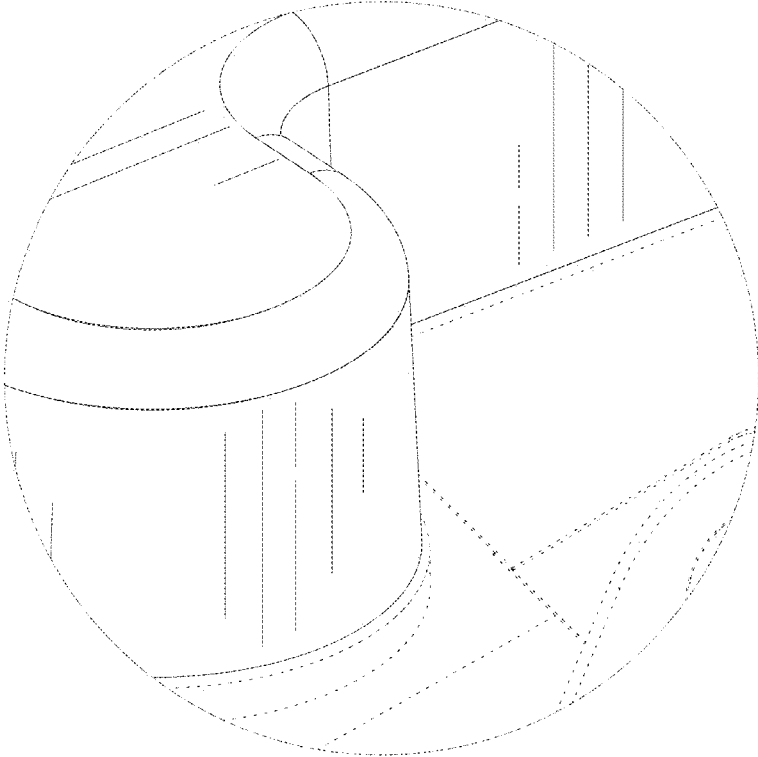


FIG. 10