



US00D773003S

(12) **United States Design Patent** (10) **Patent No.:** **US D773,003 S**  
**Meister** (45) **Date of Patent:** **\*\* Nov. 29, 2016**

(54) **RECOIL SPRING PLUG**

(71) Applicant: **Republic Forge, L.L.C.**, Perryton, TX (US)

(72) Inventor: **Jeff Meister**, Perryton, TX (US)

(73) Assignee: **Republic Forge, L.L.C.**, Perryton, TX (US)

(\*\*) Term: **15 Years**

(21) Appl. No.: **29/531,755**

(22) Filed: **Jun. 29, 2015**

(51) **LOC (10) Cl.** ..... **22-01**

(52) **U.S. Cl.**  
USPC ..... **D22/108**

(58) **Field of Classification Search**  
USPC ..... D22/108; 42/8-12, 44, 63-64,  
42/75.01-75.04, 76.01, 76.02-76.1;  
89/14.05, 14.1-14.8

CPC ..... F41A 21/02; F41A 21/08; F41A 21/48;  
F41A 21/481; F41A 21/482; F41A 21/484;  
F41A 21/485; F41A 21/487; F41A 21/488

See application file for complete search history.

(56) **References Cited**

**U.S. PATENT DOCUMENTS**

D380,249	S	6/1997	Bingham et al.	
D555,749	S *	11/2007	Epp	D22/108
8,726,559	B1 *	5/2014	Mueller	F41A 21/482 42/75.02
D734,828	S *	7/2015	Geissele	D22/108
2016/0040743	A1 *	2/2016	Staton	F16F 13/005 2/412

**OTHER PUBLICATIONS**

Clark Custom Guns, "1911, .45 / .460 Comp Kit," <http://clarkcustomguns.com/parts-category/1911/> (downloaded Jun. 29, 2015).

Colt 1911 Cutaway (document not dated).

Combat Commander, 10mm Delta Elite, Lightweight Commander MK.IV, Officers ACP MK.IV Series 80 and Gold Cup national Match MK.IV Series 80 Auto Series 80 (document not dated).

Midway USA, "Kimber 1-Piece Full Length Recoil Spring Guide Rod with Recoil Spring and Recoil Spring Plug 1911 Kimber Ultra Carry Stainless Steel," <http://www.midwayusa.com/product/768413/kimber-1-piece-full-length-recoil-spring-guide-rod-with-recoil-spring-and-recoil-spring-plug-1911-kimber-ultra-carry-stainless-steel> (downloaded Jun. 29, 2015).

\* cited by examiner

*Primary Examiner* — Susan Bennett Hattan

*Assistant Examiner* — S. Bryan Reinholdt, Jr.

(74) *Attorney, Agent, or Firm* — Klarquist Sparkman, LLP

(57) **CLAIM**

I claim the ornamental design for a recoil spring plug, as shown and described.

**DESCRIPTION**

FIG. 1 is a perspective view of a recoil spring plug, showing a front, a bottom and a right side.

FIG. 2 is a sectioned elevation view taken from the right side of the recoil spring plug of FIG. 1.

FIG. 3 is a top view.

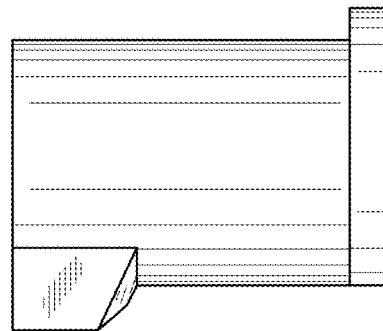
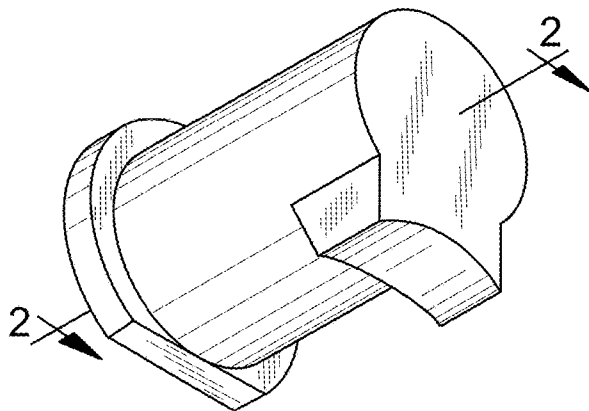
FIG. 4 is a front view.

FIG. 5 is a left side view, the right side being a mirror image.

FIG. 6 is a rear view; and,

FIG. 7 is a bottom view.

**1 Claim, 1 Drawing Sheet**



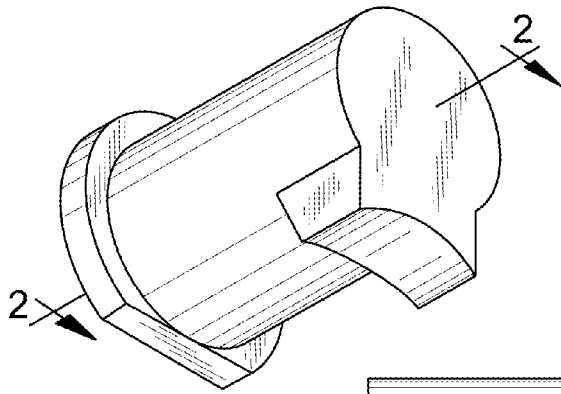


FIG. 1

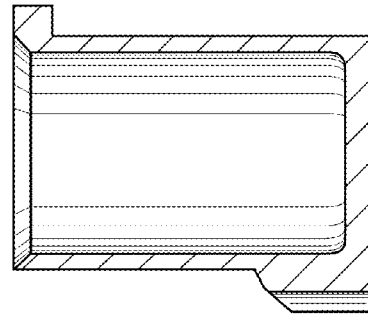


FIG. 2

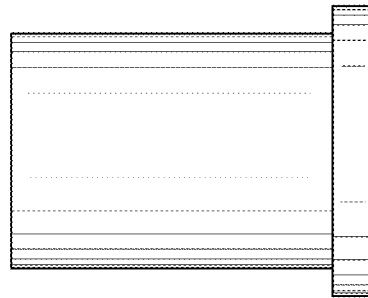


FIG. 3

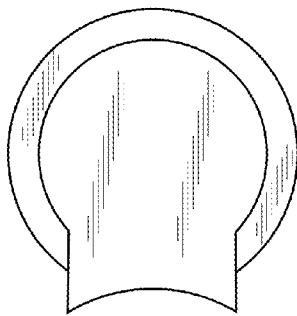


FIG. 4

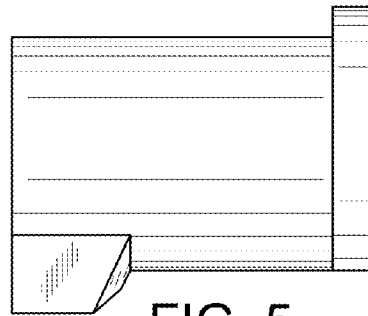


FIG. 5

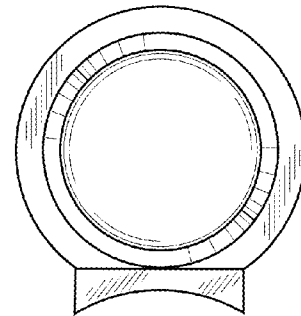


FIG. 6

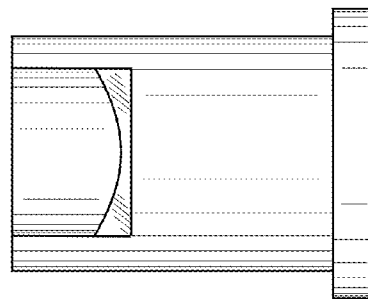


FIG. 7