



US00D425080S

**United States Patent** [19]

[11] **Patent Number: Des. 425,080**

**Cappa et al.**

[45] **Date of Patent: \*\* May 16, 2000**

- [54] **DISPLAY SCREEN WITH AN ICON**
- [75] Inventors: **Armando M. Cappa**, Granada Hills;  
**Jeffrey D. Konopka**, Northridge;  
**Warren R. Heer**, La Palma, all of Calif.
- [73] Assignee: **Pacesetter, Inc.**, Sylmar, Calif.
- [\*\*] Term: **14 Years**
- [21] Appl. No.: **29/083,829**
- [22] Filed: **Dec. 3, 1997**

**Related U.S. Application Data**

- [62] Division of application No. 29/049,298, Jan. 22, 1996, Pat. No. Des. 414,477.
- [51] **LOC (7) Cl.** ..... **14-02**
- [52] **U.S. Cl.** ..... **D14/492**
- [58] **Field of Search** ..... D14/114, 114.1-114.9;  
D18/24.33; D19/6; D20/11; D21/324-33;  
345/326, 339-58

[56] **References Cited**

**U.S. PATENT DOCUMENTS**

- D. 254,379 3/1980 Steele ..... D18/27
- D. 270,272 8/1983 Dickey ..... D18/33
- D. 393,258 4/1998 Cappa et al. .
- D. 396,035 7/1998 Cappa et al. .
- D. 396,036 7/1998 Cappa et al. .
- D. 396,037 7/1998 Cappa et al. .
- D. 396,710 8/1998 Cappa et al. .

**OTHER PUBLICATIONS**

Reunion for Windows 3.0 User's Guide, Leister Productions, spouse icon, p. 28, double heart icon, p. 49, 1993.  
Corel Gallery clipart catalog, symb485, symb534, p. 145, 1994.

Smbol Sourcebook, Van Nostrand Reinhold, prohibition, no parking, not, mistake symbols, p. 169, hexagonal, stop symbols, p. 201, 1972.  
Graphical Symbol for Use on Equipment, International Standard, Commission Electrotechnique Internationale, Internaional Electrotechnical Commission Publication 417, First Edition, (Jun. 1973) pp. 5335a-5336a.

*Primary Examiner*—M. H. Tung

[57] **CLAIM**

The ornamental design for a display screen with an icon, as shown and described.

**DESCRIPTION**

FIG. 1 is a front perspective view of a display screen with an icon, the broken line drawing of a computer system is shown for illustration purposes only and forms no part of the claimed design;

FIG. 2 is a front view of a second embodiment thereof, the broken line drawing of a computer system is shown for illustration purposes only and forms no part of the claimed design;

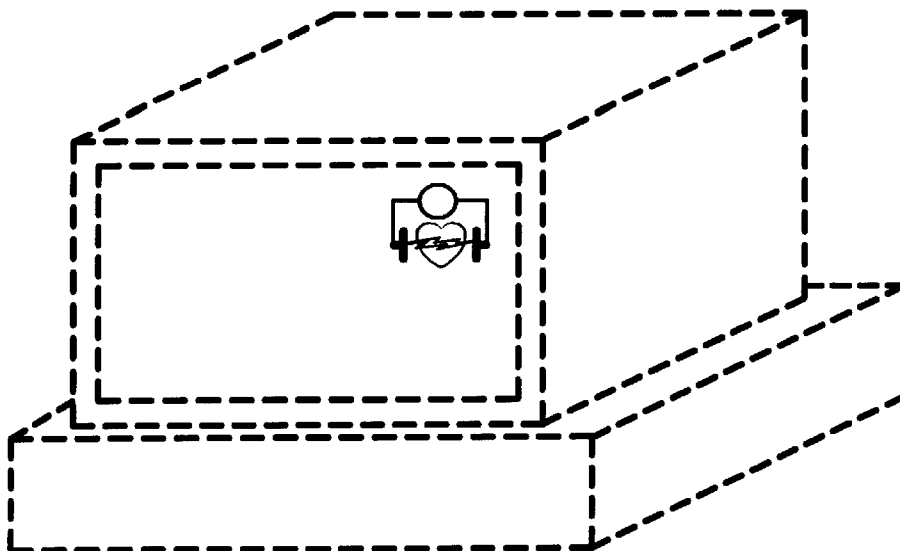
FIG. 3 is a front view of the first embodiment shown in FIG. 1, on an enlarged scale, the broken line drawing of a portion of a display screen is for illustrative purposes only and forms no part of the claimed design;

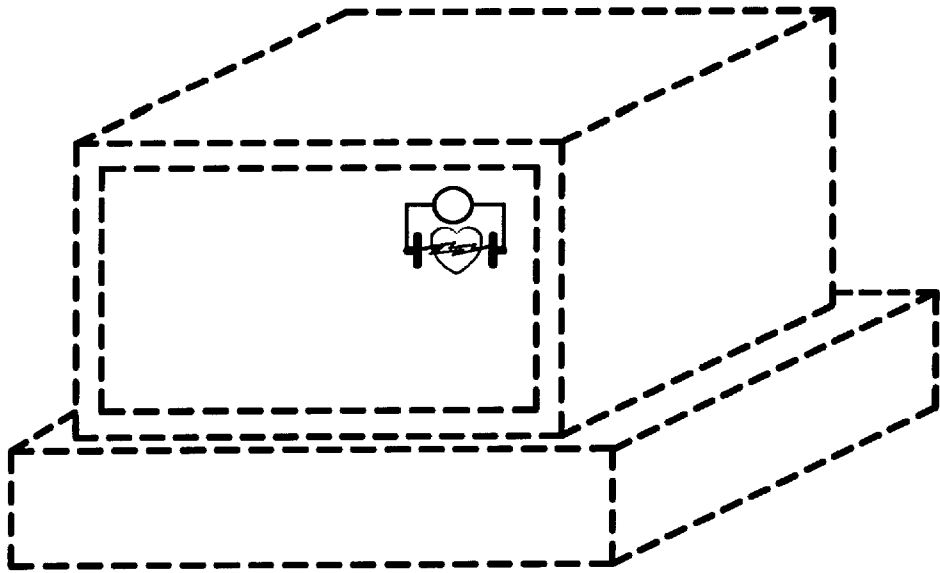
FIG. 4 is a front view of a third embodiment thereof, on an enlarged scale, the broken line drawing of a portion of a display screen is for illustrative purposes only and forms no part of the claimed design;

FIG. 5 is a front view of a fourth embodiment thereof, on an enlarged scale, the broken line drawing of a portion of a display screen is for illustrative purposes only and forms no part of the claimed design; and,

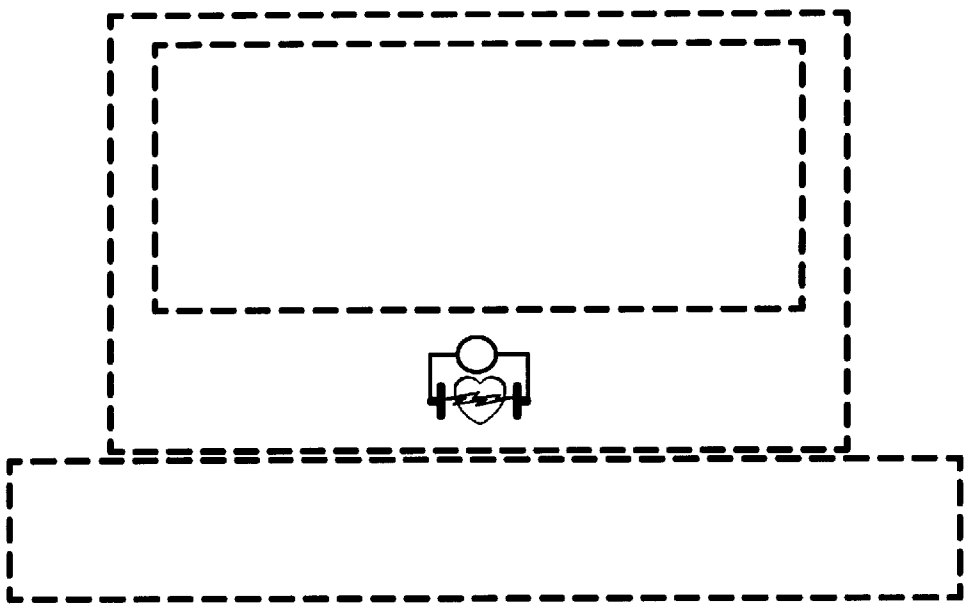
FIG. 6 is a front view of a fifth embodiment thereof, on an enlarged scale, the broken line drawing of a portion of a display screen is for illustrative purposes only and forms no part of the claimed design.

**1 Claim, 2 Drawing Sheets**

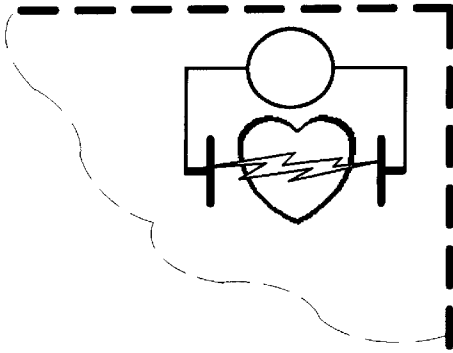




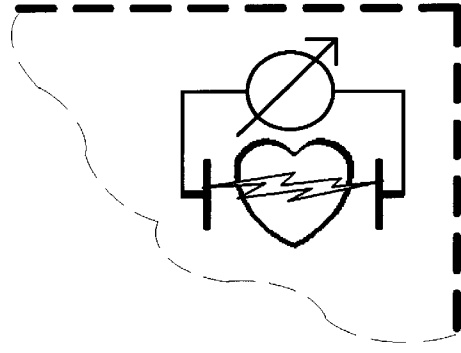
*Fig. 1*



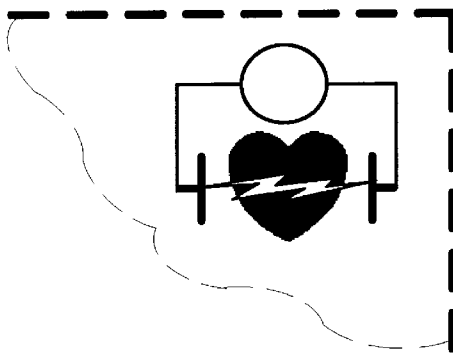
*Fig. 2*



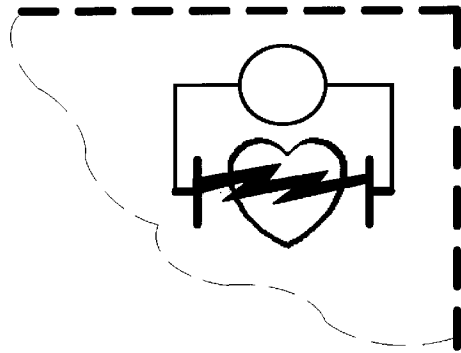
**Fig. 3**



**Fig. 4**



**Fig. 5**



**Fig. 6**