



US00D520122S

(12) **United States Design Patent**
Kennard

(10) **Patent No.:** **US D520,122 S**

(45) **Date of Patent:** **** May 2, 2006**

(54) **FAUCET SPOUT**

(75) Inventor: **Dan Kennard**, Norcross, GA (US)

(73) Assignee: **Fusion Hardware Group, Inc.**,
Norcross, GA (US)

(**) Term: **14 Years**

(21) Appl. No.: **29/206,246**

(22) Filed: **May 28, 2004**

(51) **LOC (8) Cl.** **23-01**

(52) **U.S. Cl.** **D23/256; D23/238**

(58) **Field of Classification Search** **D23/238-257;**
4/675-678; 137/801

See application file for complete search history.

(56) **References Cited**

U.S. PATENT DOCUMENTS

- D53,558 S * 7/1919 Bloch D23/241
- D149,196 S * 4/1948 Little et al. D23/238
- D227,762 S * 7/1973 Arbon D23/238
- D311,438 S * 10/1990 Strignano D23/242

- D321,039 S * 10/1991 Robbins D23/255
- D350,183 S * 8/1994 Joerger D23/242
- D380,809 S * 7/1997 Warshawsky D23/238
- D465,270 S * 11/2002 Gottwald D23/257

* cited by examiner

Primary Examiner—Louis S. Zarfaz
Assistant Examiner—Gregory Andoll
(74) *Attorney, Agent, or Firm*—TroxeLL Law Office, PLLC

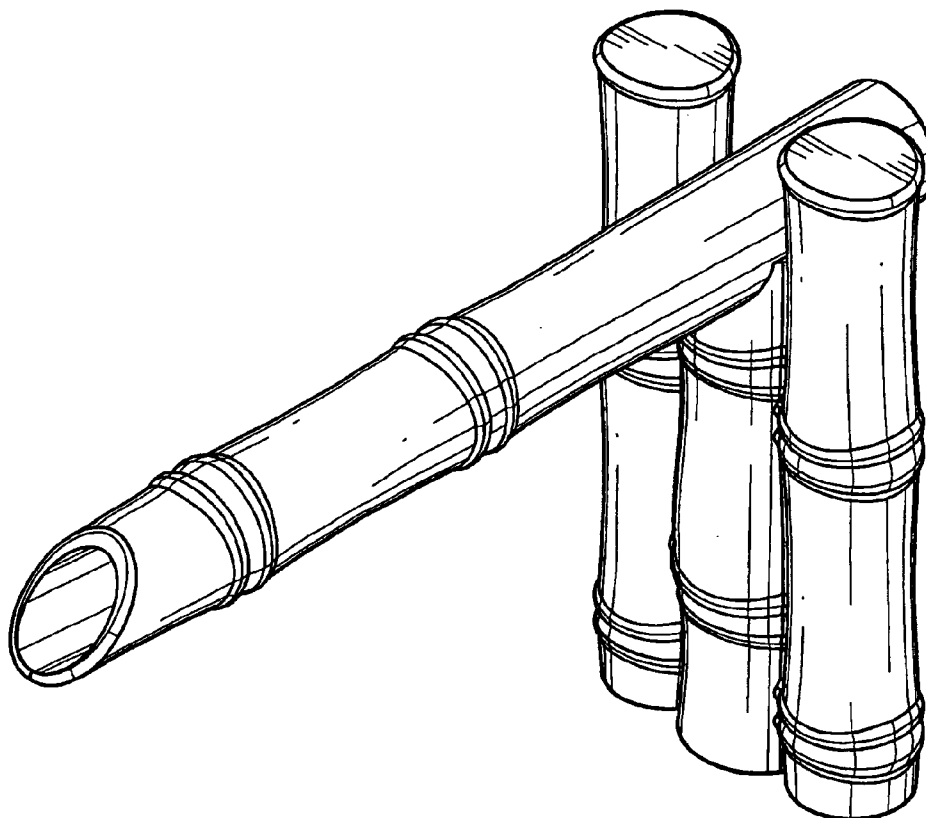
(57) **CLAIM**

The ornamental design for faucet spout, as show and described.

DESCRIPTION

FIG. 1 is a top, left, front, perspective view of faucet spout showing my new design;
FIG. 2 is a front elevational view thereof;
FIG. 3 is a rear elevational view thereof;
FIG. 4 is a left elevational view thereof;
FIG. 5 is a right elevational view thereof; and,
FIG. 6 is a top plan view thereof.

1 Claim, 4 Drawing Sheets



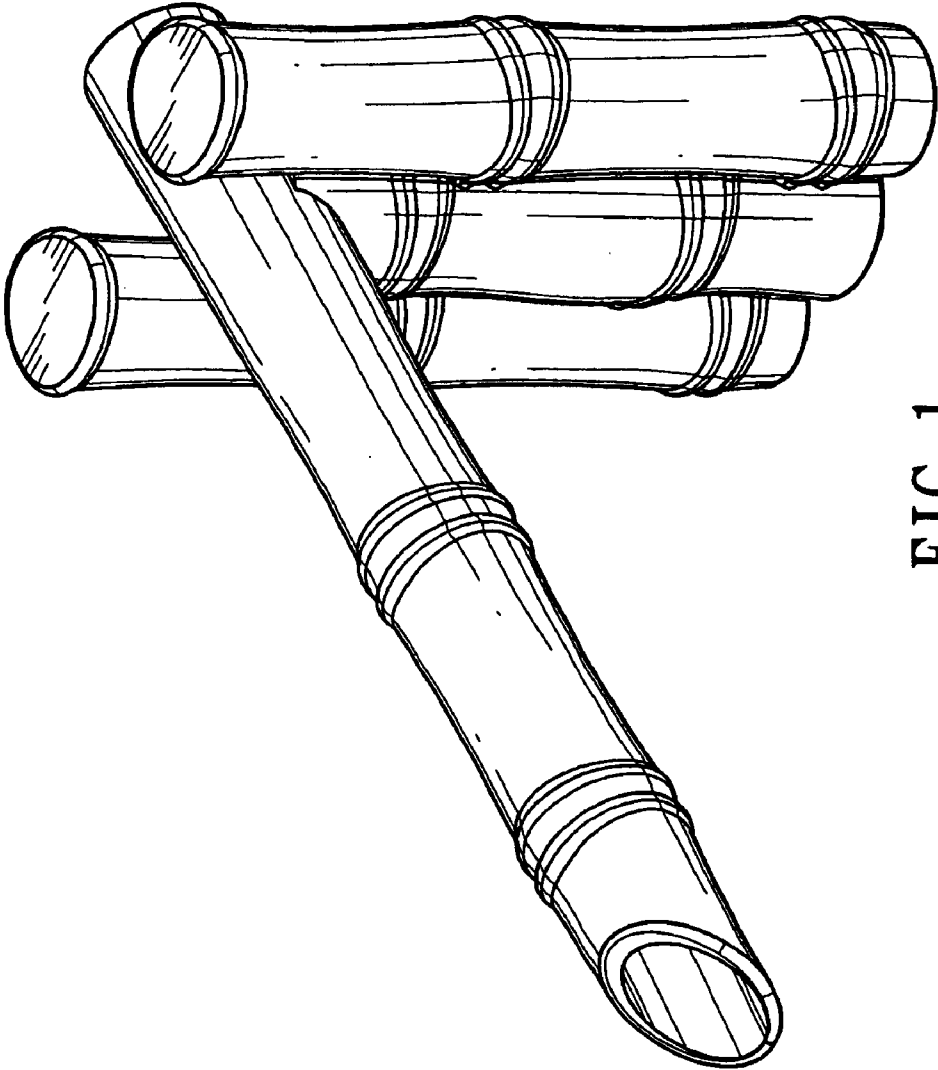


FIG. 1

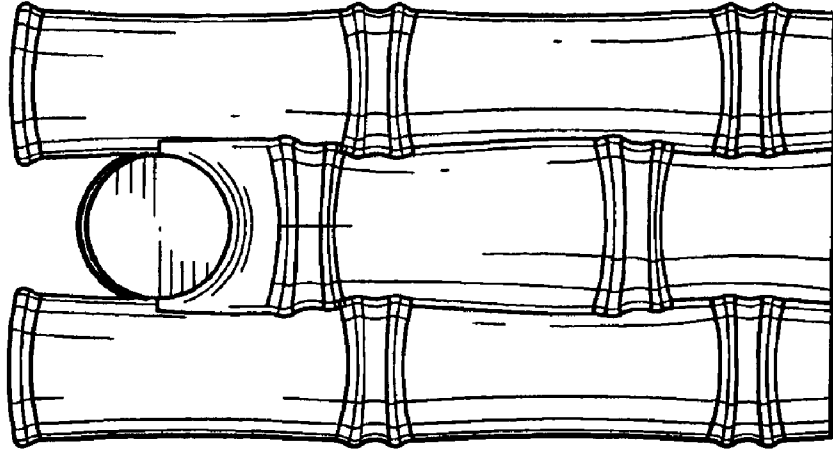


FIG. 3

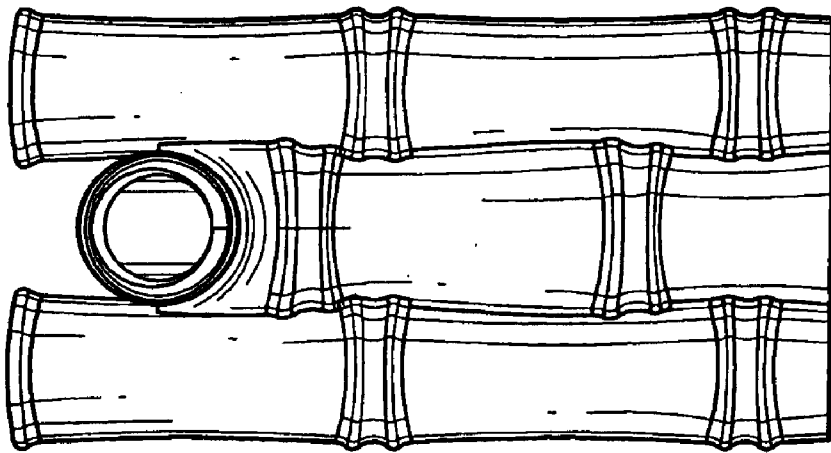


FIG. 2

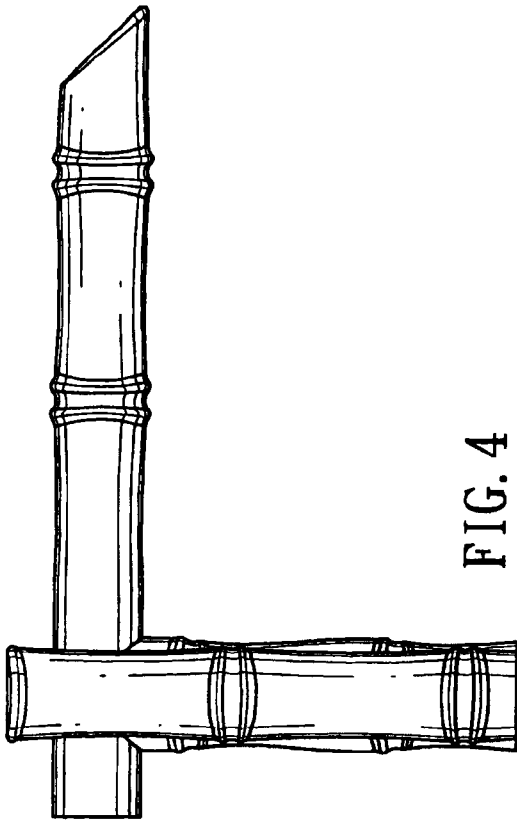


FIG. 4

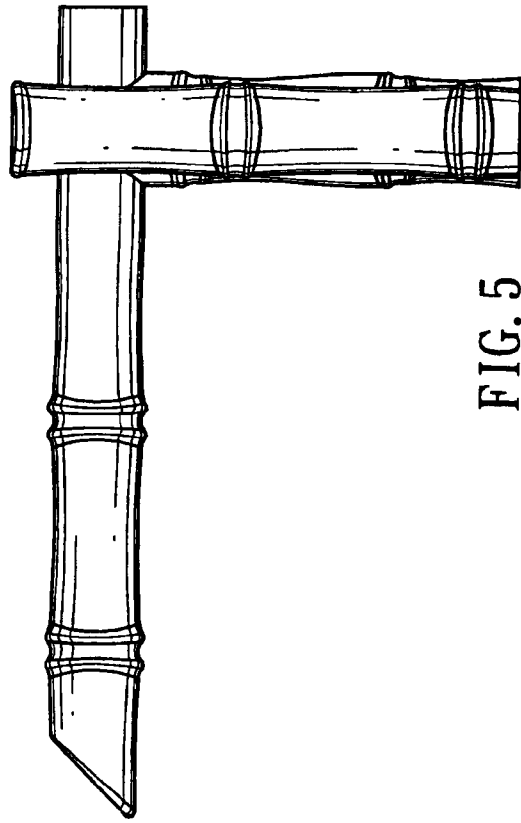


FIG. 5

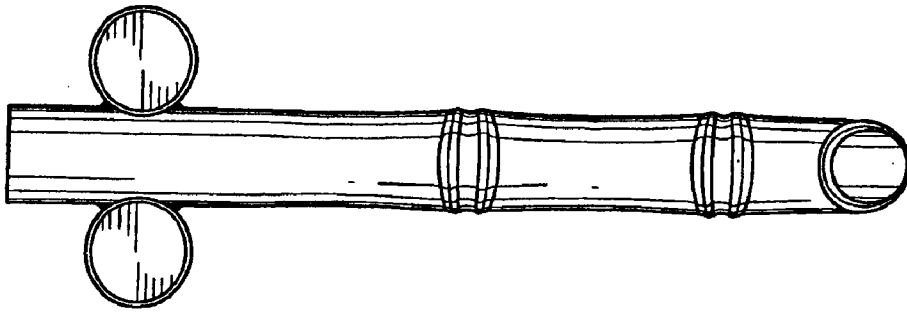


FIG. 6