



US00RE46579E

(19) **United States**  
(12) **Reissued Patent**  
**Gill**

(10) **Patent Number:** **US RE46,579 E**  
(45) **Date of Reissued Patent:** **Oct. 24, 2017**

- (54) **ENCLOSURE FOR A PERITONEAL DIALYSIS DEVICE**
- (71) Applicant: **DEKA Products Limited Partnership**, Manchester, NH (US)
- (72) Inventor: **Matthew R. Gill**, Cambridge, MA (US)
- (73) Assignee: **DEKA Products Limited Partnership**, Manchester, NH (US)

D393,314 S 4/1998 Meisner et al.  
 5,938,634 A 8/1999 Packard  
 D483,206 S 12/2003 Schweikarth  
 D534,275 S 12/2006 Hayamizu  
 (Continued)

- (21) Appl. No.: **29/579,846**
- (22) Filed: **Oct. 4, 2016**

**Related U.S. Patent Documents**

- Reissue of:
- (64) Patent No.: **Des. 725,782**  
 Issued: **Mar. 31, 2015**  
 Appl. No.: **29/493,115**  
 Filed: **Jun. 5, 2014**
  - (51) **LOC (10) Cl.** ..... **24-01**
  - (52) **U.S. Cl.**  
 USPC ..... **D24/169**
  - (58) **Field of Classification Search**  
 USPC ..... D24/169, 186, 107, 108, 216, 219, 232  
 CPC ..... A61M 1/284; A61M 1/282; A61M  
 2209/084; A61M 2205/128  
 See application file for complete search history.

(56) **References Cited**

**U.S. PATENT DOCUMENTS**

- D308,249 S \* 5/1990 Buckley ..... D24/169  
 D341,890 S 11/1993 Sievert et al.  
 5,350,357 A \* 9/1994 Kamen ..... A61M 1/28  
 604/29  
 D351,470 S \* 10/1994 Scherer et al. .... D24/169  
 5,431,626 A 7/1995 Bryant et al.  
 5,628,908 A 5/1997 Kamen et al.  
 D386,634 S 11/1997 Daugs

**OTHER PUBLICATIONS**

Ing et al., editors. *Dialysis: History, Development, and Promise*. Hackensack, NJ: World Scientific, 2012. 259-269.  
 (Continued)

*Primary Examiner* — Phillip S Hyder  
 (74) *Attorney, Agent, or Firm* — Wolf, Greenfield & Sacks, P.C.

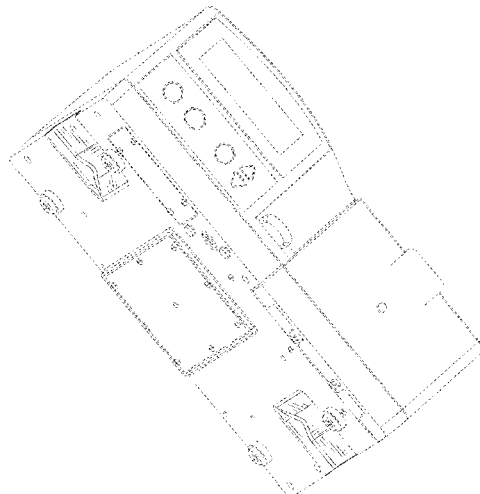
(57) **CLAIM**  
 The ornamental design for [a bottom panel of] an enclosure for a peritoneal dialysis device, as shown and described.

**DESCRIPTION**

FIG. 1 is a front, top, and right perspective view of the [bottom panel of an] enclosure for a peritoneal dialysis device, showing the new design;  
 FIG. 2 is a front side elevational view thereof;  
 FIG. 3 is back side elevational view thereof;  
 FIG. 4 is a left side elevational view thereof;  
 FIG. 5 is a right side elevational view thereof;  
 FIG. 6 is a bottom plan view thereof;  
 FIG. 7 is a front, bottom, left perspective view thereof; and,  
 FIG. 8 is a back, bottom, right perspective view thereof.  
 The broken lines represent unclaimed portions of the [bottom panel of an] enclosure for a peritoneal dialysis device and form no part of the claimed design.

**1 Claim, 7 Drawing Sheets**

**Matter enclosed in heavy brackets [ ] appears in the original patent but forms no part of this reissue; matter printed in italics indicates the additions made by reissue.**



# US RE46,579 E

Page 2

(56)

## References Cited

### U.S. PATENT DOCUMENTS

D556,910 S *	12/2007	Reihanifam et al. ....	D24/169
D565,157 S	3/2008	Bates	
D565,178 S	3/2008	Tanaka	
D596,719 S	7/2009	Chen	
D609,350 S	2/2010	Hickey et al.	
D627,470 S *	11/2010	Hickey et al. ....	D24/169
D637,293 S	5/2011	Hickey et al.	
D639,930 S *	6/2011	Collins et al. ....	D24/107
D641,882 S	7/2011	Hickey et al.	
D645,157 S	9/2011	Fallon et al.	
D663,844 S	7/2012	McGill et al.	
D675,727 S	2/2013	Collins et al.	
D680,849 S	4/2013	Berger et al.	
8,512,553 B2	8/2013	Cicchello et al.	
8,720,913 B2 *	5/2014	Fallon .....	B62B 3/02 280/47.35
D724,740 S	3/2015	Collins et al.	
D724,741 S	3/2015	Collins	
D724,742 S	3/2015	Johnson	
D725,277 S	3/2015	Gill	
D725,780 S	3/2015	Johnson	
D725,781 S	3/2015	Collins	
D725,782 S	3/2015	Gill	
D745,646 S	12/2015	Schonherr et al.	

D748,229 S	1/2016	Yoshioka	
D750,764 S	3/2016	DeSocio	
D755,394 S	5/2016	Collins et al.	
D755,975 S	5/2016	Collins et al.	
D757,272 S	5/2016	Distler et al.	
2004/0156745 A1 *	8/2004	Vandlik .....	A61M 1/0209 422/44
2004/0202561 A1	10/2004	Hershberger et al.	
2008/0015490 A1	1/2008	Hershberger et al.	
2009/0113335 A1	4/2009	Sandoe et al.	
2009/0222119 A1	9/2009	Plahey et al.	
2010/0087777 A1 *	4/2010	Hopping .....	A61M 1/28 604/29
2013/0037142 A1	2/2013	Farrell	
2014/0018728 A1	1/2014	Plahey et al.	

### OTHER PUBLICATIONS

Baxter Healthcare Corporation. HomeChoice: HomeChoice Pro APD Systems Patient At-Home Guide. N.p.: Baxter Healthcare Corporation, Oct. 12, 2009: i, sect.—p. 5-8, 5-10, 20-3, 20-5, 20-19. Photographs of HomeChoice Automated Peritoneal Dialysis System cyclor, Baxter Healthcare Corporation. Photographs of HomeChoice Pro Automated Peritoneal Dialysis System cyclor, Baxter Healthcare Corporation.

\* cited by examiner

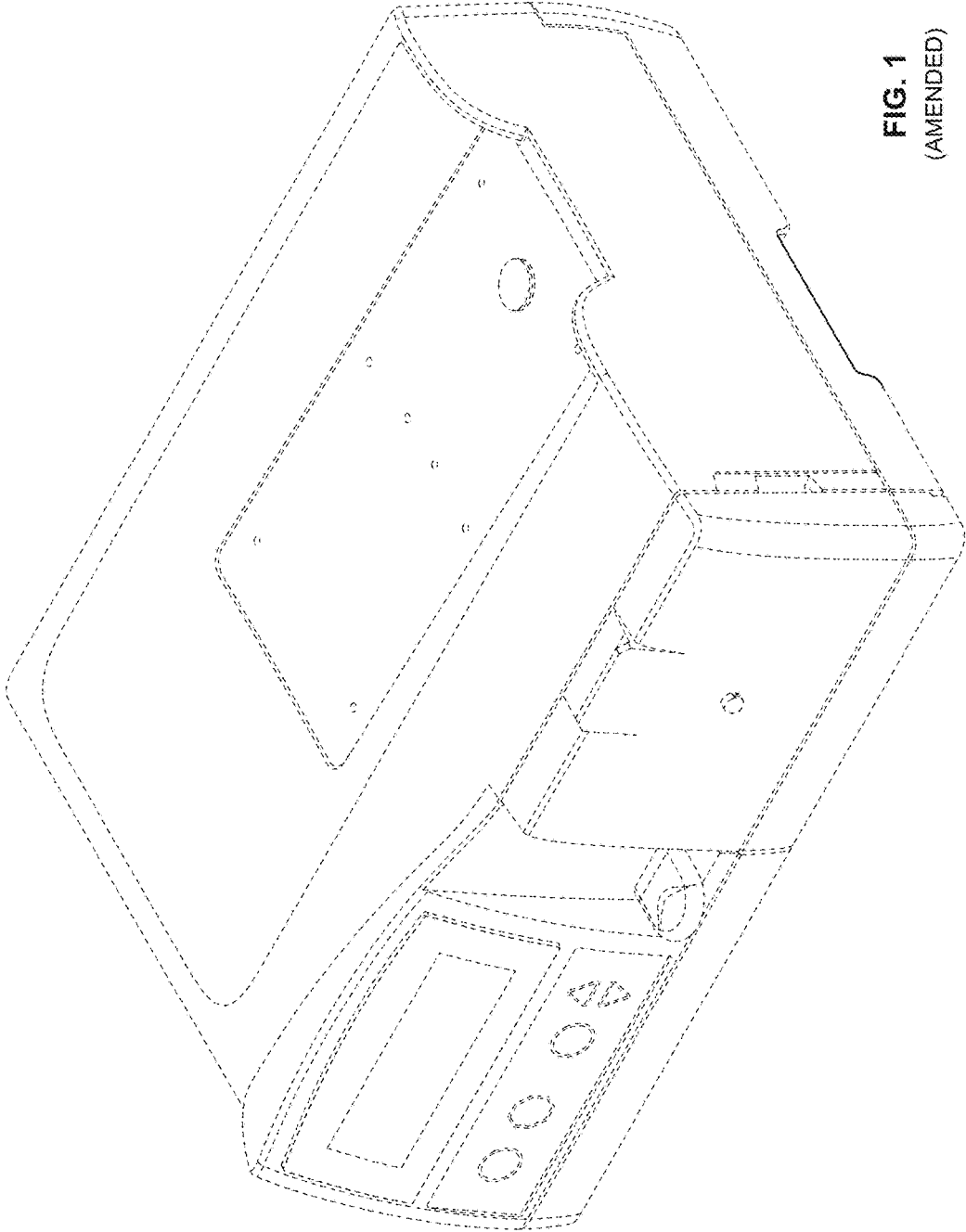
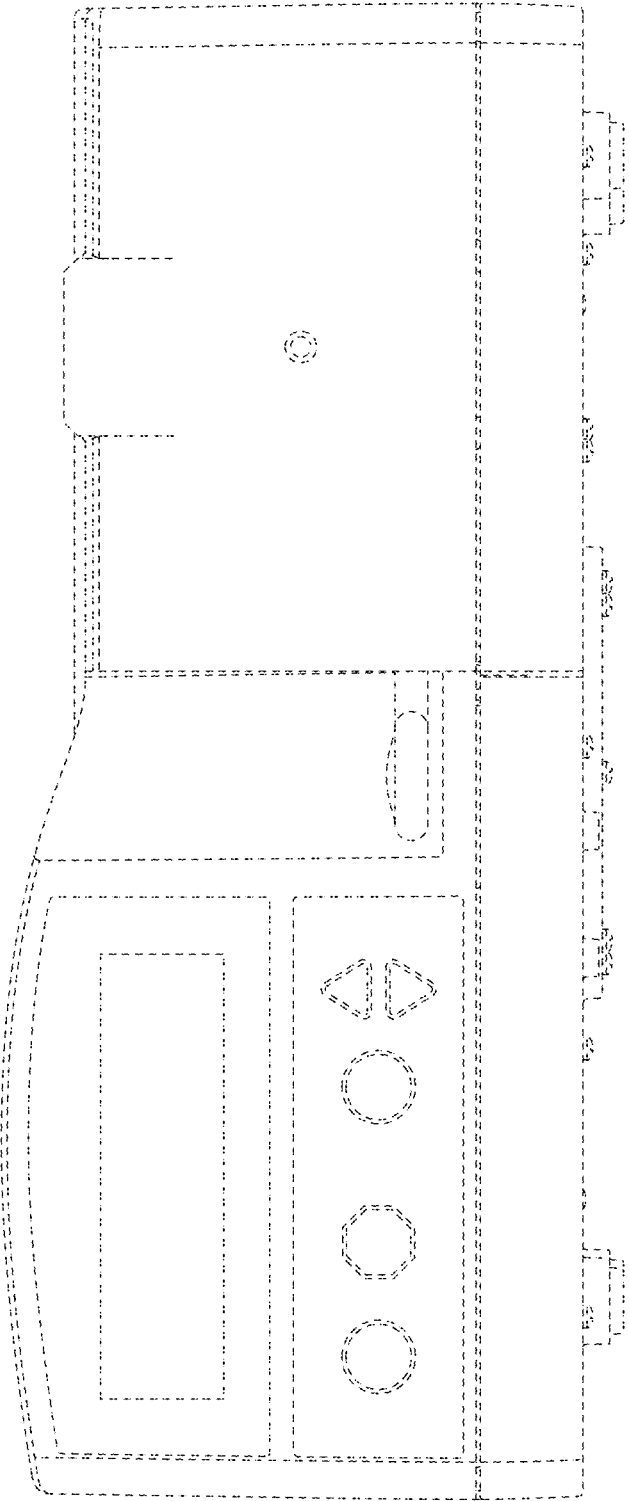
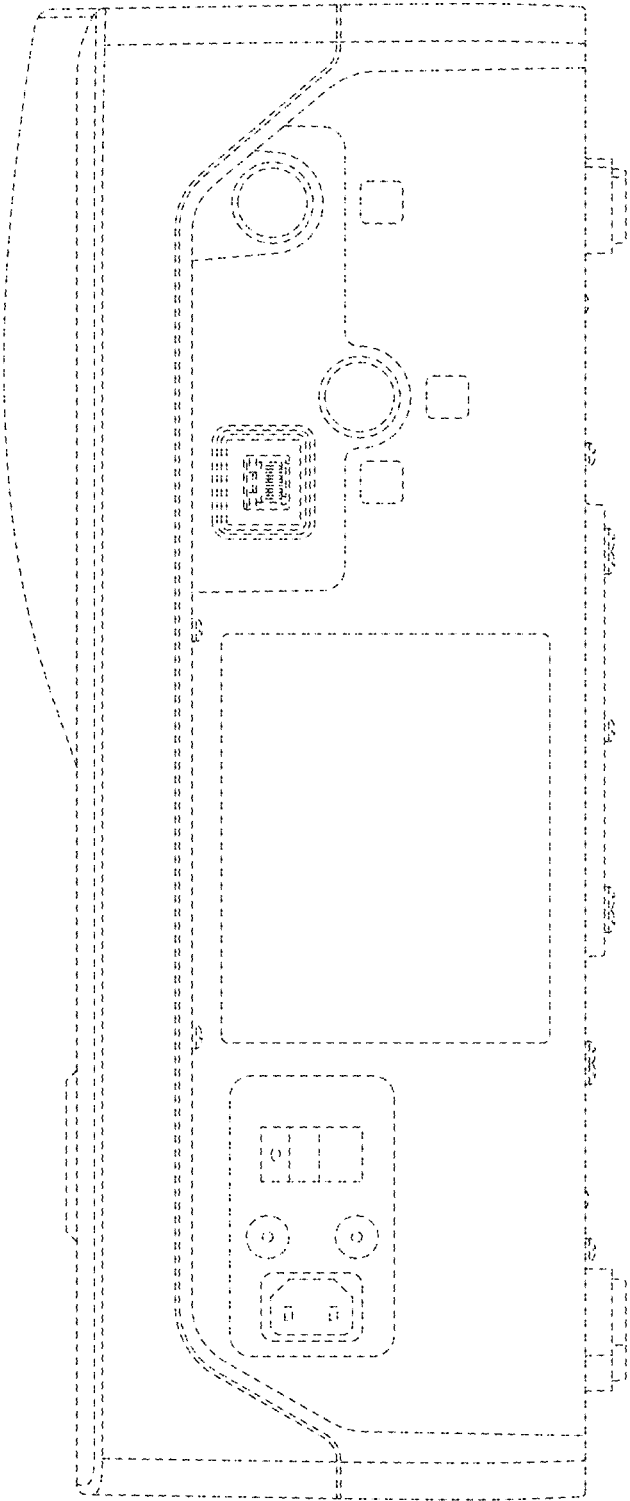


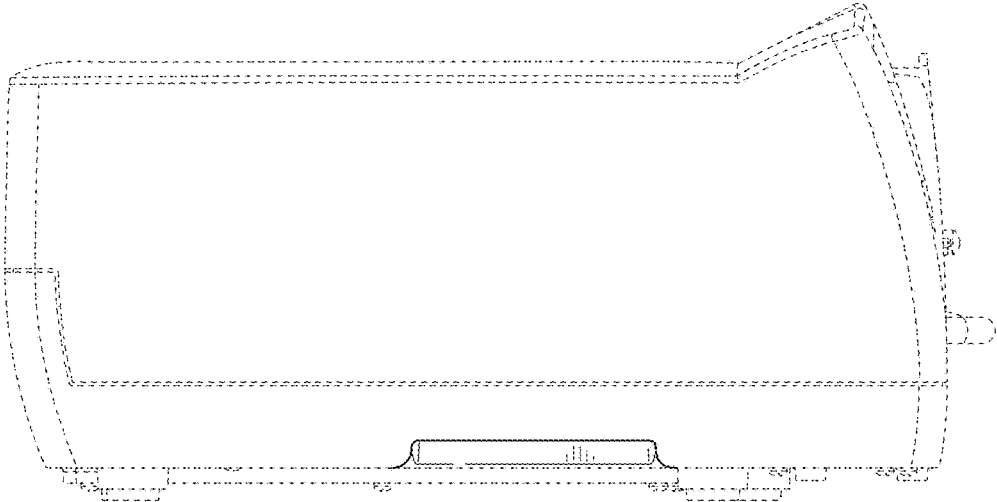
FIG. 1  
(AMENDED)



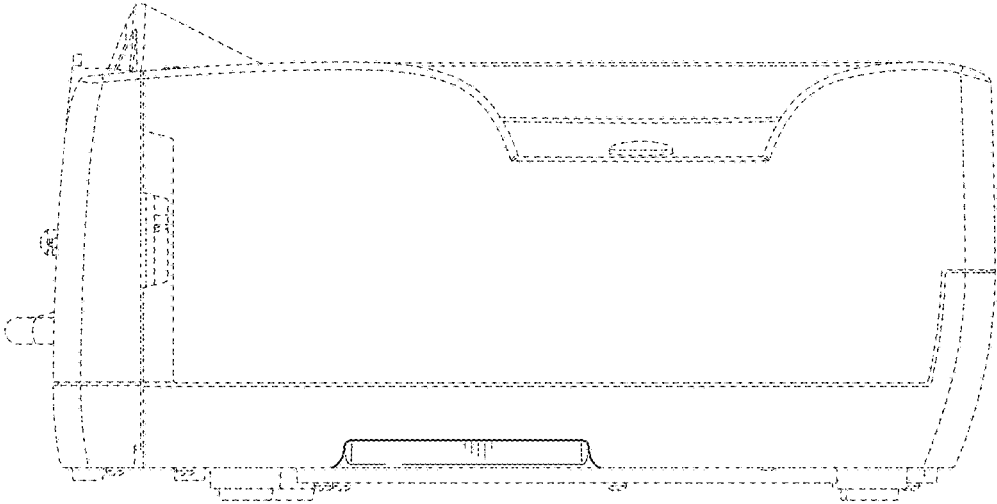
**FIG. 2**  
(AMENDED)



**FIG. 3**  
(AMENDED)



**FIG. 4**  
(AMENDED)



**FIG. 5**  
(AMENDED)

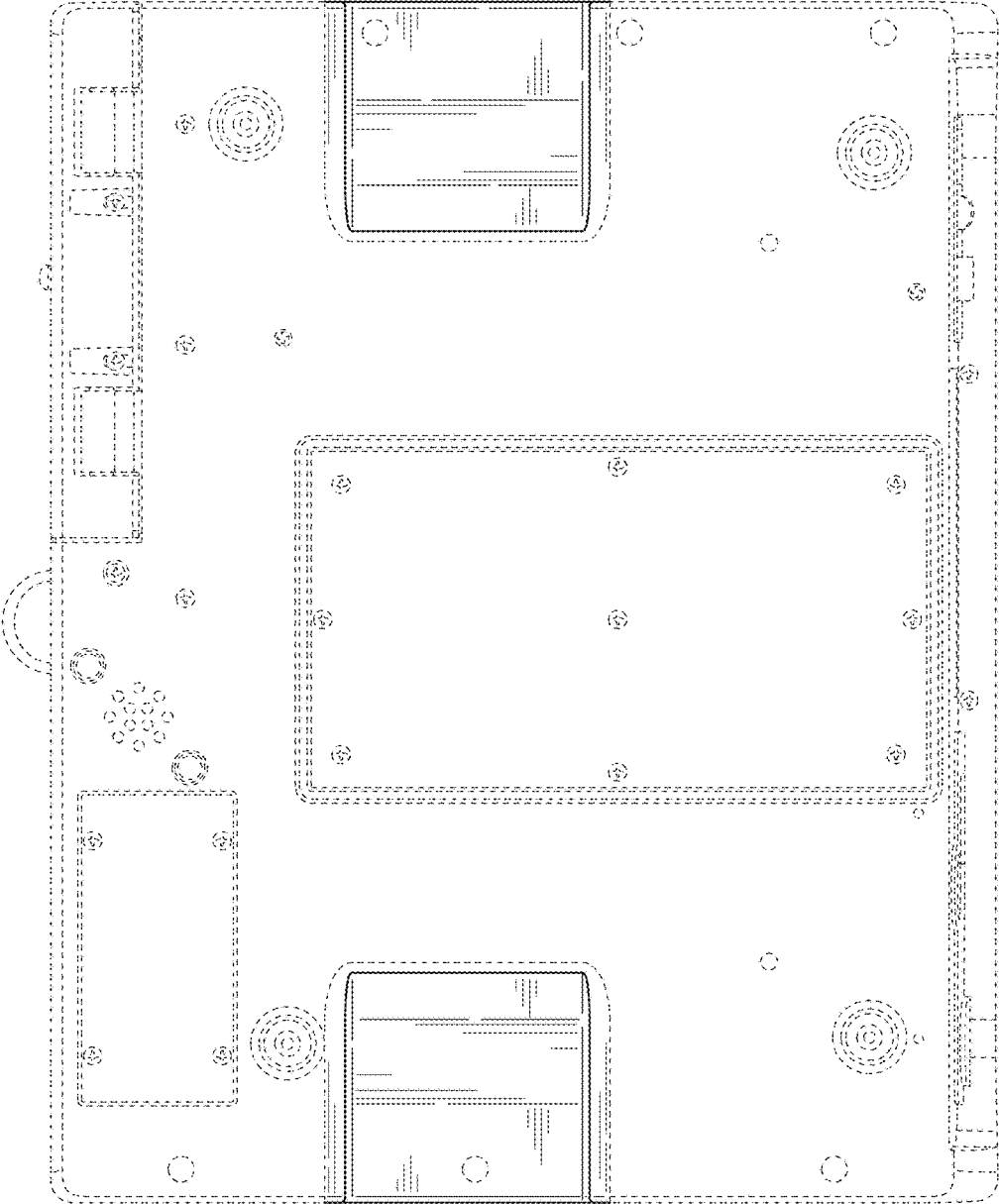
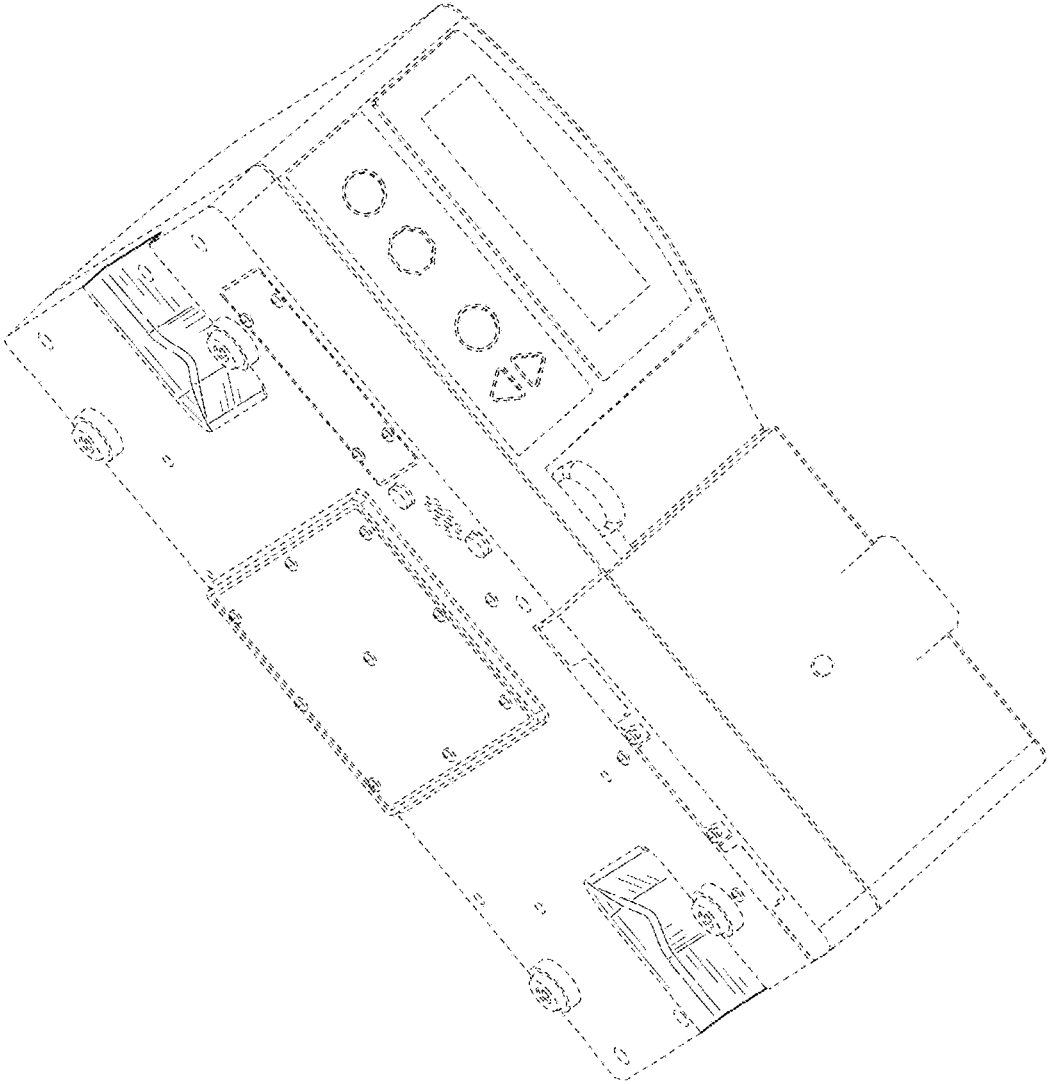


FIG. 6  
(AMENDED)



**FIG. 7**  
(AMENDED)

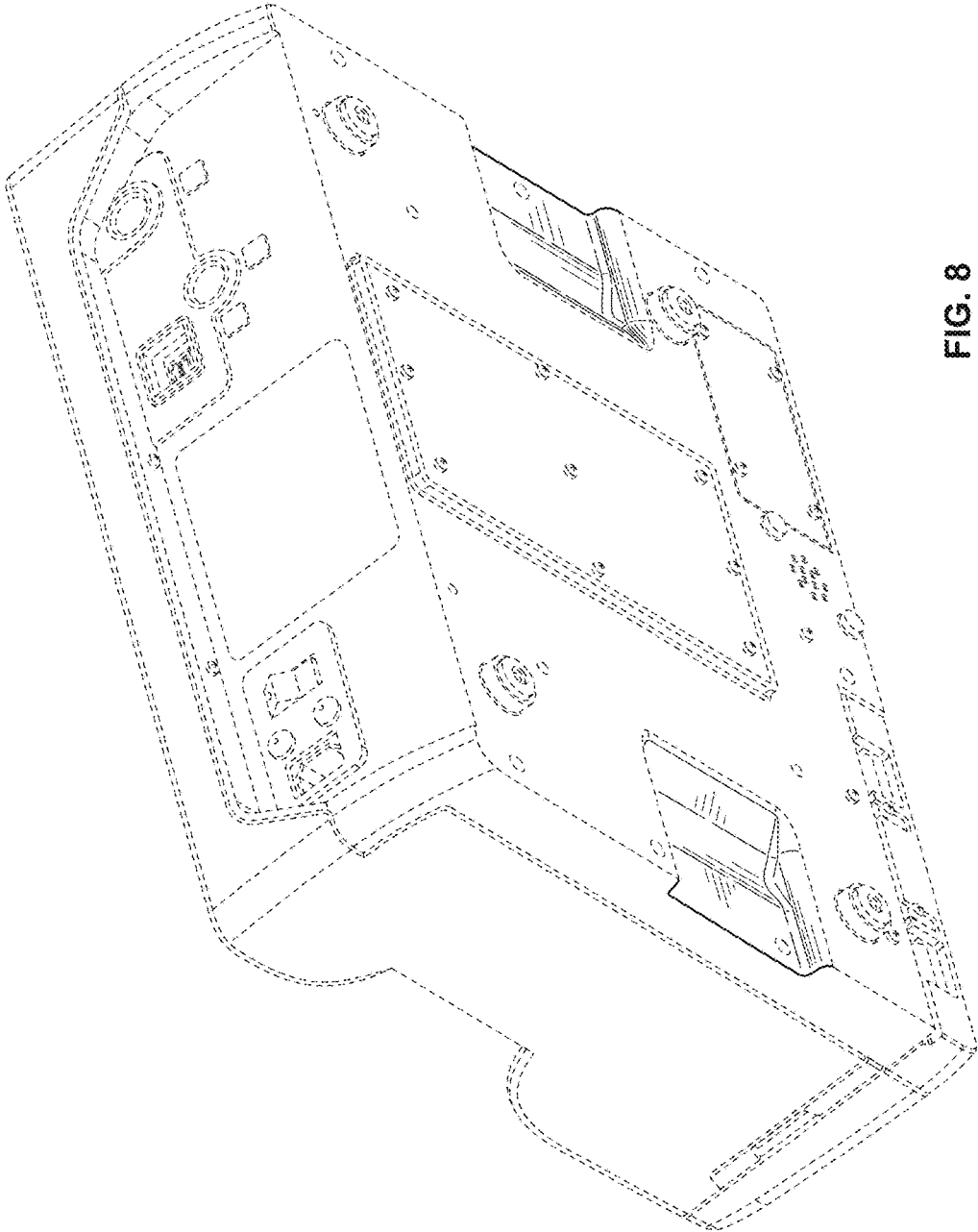


FIG. 8  
(AMENDED)