



(43) International Publication Date
27 October 2016 (27.10.2016)

- (51) International Patent Classification:
H02M 3/158 (2006.01) *H02M 1/00* (2006.01)
- (21) International Application Number:
PCT/EP2016/059174
- (22) International Filing Date:
25 April 2016 (25.04.2016)
- (25) Filing Language: English
- (26) Publication Language: English
- (30) Priority Data:
15164905.0 23 April 2015 (23.04.2015) EP
- (71) Applicant: DANMARKS TEKNISKE UNIVERSITET
[DK/DK]; Bygning 101A, Anker Engelunds Vej 1, 2800
Kgs. Lyngby (DK).
- (72) Inventor: ALBERT, Maria Del Carmen Mira;
Birkevangenget 1, 8850 Bjerringbro (DK).
- (74) Agent: HØIBERG A/S; Adelgade 12, 1304 Copenhagen
K (DK).
- (81) Designated States (unless otherwise indicated, for every
kind of national protection available): AE, AG, AL, AM,
AO, AT, AU, AZ, BA, BB, BG, BH, BN, BR, BW, BY,

BZ, CA, CH, CL, CN, CO, CR, CU, CZ, DE, DK, DM,
DO, DZ, EC, EE, EG, ES, FI, GB, GD, GE, GH, GM, GT,
HN, HR, HU, ID, IL, IN, IR, IS, JP, KE, KG, KN, KP, KR,
KZ, LA, LC, LK, LR, LS, LU, LY, MA, MD, ME, MG,
MK, MN, MW, MX, MY, MZ, NA, NG, NI, NO, NZ, OM,
PA, PE, PG, PH, PL, PT, QA, RO, RS, RU, RW, SA, SC,
SD, SE, SG, SK, SL, SM, ST, SV, SY, TH, TJ, TM, TN,
TR, TT, TZ, UA, UG, US, UZ, VC, VN, ZA, ZM, ZW.

(84) Designated States (unless otherwise indicated, for every
kind of regional protection available): ARIPO (BW, GH,
GM, KE, LR, LS, MW, MZ, NA, RW, SD, SL, ST, SZ,
TZ, UG, ZM, ZW), Eurasian (AM, AZ, BY, KG, KZ, RU,
TJ, TM), European (AL, AT, BE, BG, CH, CY, CZ, DE,
DK, EE, ES, FI, FR, GB, GR, HR, HU, IE, IS, IT, LT, LU,
LV, MC, MK, MT, NL, NO, PL, PT, RO, RS, SE, SI, SK,
SM, TR), OAPI (BF, BJ, CF, CG, CI, CM, GA, GN, GQ,
GW, KM, ML, MR, NE, SN, TD, TG).

Declarations under Rule 4.17:

— of inventorship (Rule 4.17(iv))

Published:

— with international search report (Art. 21(3))

(54) Title: A THREE-PORT DIRECT CURRENT CONVERTER

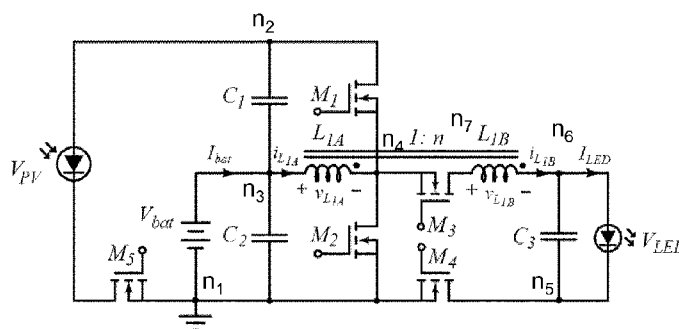


Fig. 8a

(57) Abstract: The three-port direct current converter comprising: at least one input direct current source; at least one storage battery; a primary side circuit; a secondary side circuit; a first single magnetic component shared by the primary side circuit and the secondary side circuit, wherein the primary side circuit comprises a connection between the at least one input direct current source and the at least one storage battery, the primary side circuit configured for operating as a buck converter; a second magnetic component serially coupled to the first single magnetic component, wherein the first and second magnetic components are configured to perform a voltage step-up, wherein the secondary side circuit comprises a connection between the at least one storage battery and at least one load, the secondary side circuit configured for operating as a tapped boost converter; wherein the three-port direct current converter is configured to operate in two mutually exclusive power flow configurations.

WO 2016/170184 A1

A three-port direct current converter

Field of invention

The invention relates to a three-port direct current converter, operating in two mutually exclusive power flow configurations, sharing a magnetic component.

5 Background of invention

Solar energy is one of the fastest growing renewable energy sources mainly because sunlight is the most abundant source of energy and is unlimited, clean and free. The major advantage of solar energy is the transformation of energy with zero carbon dioxide (CO₂) emissions. However, the main drawback is that the energy source is
10 intermittent in nature since it strongly depends on the weather conditions. In order to overcome this limitation, energy storage elements are often required in order to provide a constant power source.

Multi-input converters (MIC) topologies address the issue of interconnecting several
15 energy sources with a single power converter. The conventional approach to implement multi-input power systems is to interconnect the elements using different series or parallel connected power converters. However, the disadvantages are low power density and efficiency due to multiple conversions stages. The solution is to implement a multiport converter, which can interface with renewable energy sources,
20 storage elements and loads.

Recently introduced three-port converter (TPC) topologies are based on reduced energy processing and shared components and claim to achieve high efficiency and power density. TPCs can be said to have fewer conversion stages and generally higher
25 efficiency compared to solutions employing several independent two-port converters. However, in TPCs it is required to add extra switches to provide controllability and/or diodes to configure the power flow paths. TPC topologies need a high number of semiconductors.

30 Fig. 1 shows the concept of a conventional three-port converter. The three-port converter has an input voltage port, a battery port, and a load, to which power is delivered.

Summary of invention

The present disclosure relates to a topology for a three-port direct current converter comprising: at least one input direct current source; at least one storage battery; a primary side circuit; a secondary side circuit; a first single magnetic component shared
5 by the primary side circuit and the secondary side circuit, wherein the primary side circuit comprises a connection between the at least one input direct current source and the at least one storage battery, the primary side circuit configured for operating as a buck converter; a second magnetic component serially coupled to the first single magnetic component, wherein the first and second magnetic components are
10 configured to perform a voltage step-up, wherein the secondary side circuit comprises a connection between the at least one storage battery and at least one load, the secondary side configured for operating as a tapped boost converter, wherein the three-port direct current converter is configured to operate in two mutually exclusive power flow configurations. In the presently disclosed three-port direct current converter,
15 the first output voltage may be lower than the second output voltage.

Preferably the converter comprises a second magnetic component serially coupled to the first single magnetic component, wherein the first and second magnetic components are configured to perform a voltage step-up, wherein the secondary side
20 circuit comprises a connection between the at least one storage battery and at least one load, the secondary side configured for operating as a tapped boost converter; wherein the three-port direct current converter is configured to operate in two mutually exclusive power flow configurations. In some lighting applications, single LEDs need to be combined into arrays to form LED lamps. In such applications it may be an
25 advantage to connect the LEDs in series in order to avoid mismatch in the current causing differences in the LED brightness. Moreover, in order to achieve high luminous efficiency, the LEDs may be driven at a low current level, which increases the number of required LEDs for the same luminous output. Therefore, in order to drive several series-connected LEDs, a converter able to provide high step-up may be useful.

30 Furthermore, the presently disclosed three-port direct current converter may be used to avoid high duty cycle operation. The coupled magnetic components in the present application may serve the purpose of avoiding high duty cycle operation when operating as a tapped boost converter. The duty cycle may be for example lower than
35 0.7, or lower than 0.6, or lower than 0.5, or lower than 0.4, or lower than 0.3, or lower

than 0.2, or lower than 0.1 and can be said to depend on the required ratio between the input and output voltage. Large step-up voltage ratios may require from coupled inductor structures to avoid high duty cycle operation, which is achievable with the presently disclosed circuit structure.

5

A first single magnetic component shared by the primary side circuit and the secondary side circuit and a second magnetic component serially coupled to the first single magnetic component may in the scope of the present disclosure also be interpreted as one magnetic component having a primary winding L_{1A} and a secondary winding L_{1B} ,
10 wherein the primary winding is shared by the primary side circuit and the secondary side circuit, whereas the primary and secondary windings are configured to perform a voltage step-up.

The inventor has realized that in particular in street light applications, wherein the input
15 power source is solar energy, there is room for optimization of the conventional three-port converter topologies. When there is daylight, there is no need for the street light to be active, and therefore the three-port converter can operate as a buck converter, wherein the power input charges the battery. The street light becomes active when there is no daylight, and in this power configuration the three-port converter operates
20 as a boost converter, driving the load. These two modes can share a number of components. Compared to a conventional three-port converter, this means that there is no direct power flow from the power input to the load. In the converter proposed in the present invention, the single magnetic component may regulate a first output voltage of the primary side circuit in the first power flow configuration, and regulate a second
25 output voltage of the secondary side circuit in the second power flow configuration. The three-port converter operating with a single magnetic component can be seen as a significant benefit compared to conventional three-port converters since magnetic components play an important role for the size, price and weight of the converter.

30 A further aspect of the presently disclosed invention relates to the three-port direct current converter configured to operate without diodes. The inventor has realized that if the three-port direct current converter operates with actively controlled switching elements, such as MOSFETs, configured to control power flows of three-port direct current converter, further advantages can be obtained. This technique is referred to as
35 synchronous rectification or active rectification and reduces power drops in the power flow paths. The drawback of this technique is that typically extra gate control signals

are needed for controlling the MOSFETs. In one embodiment of the present inventions all the switches are active switches in order to reduce voltage drops in the power flow path, where M5 and M4 are power flow path configuration switches, M2 acts as synchronous rectifier in buck mode and M3 operates as synchronous rectifier in
5 boost/tapped boost mode. In one embodiment of the presently disclosed converter switches M4 and M5 are connected in buck and (tapped) boost mode, respectively, corresponding to the mutually exclusive power flow configurations, but not connected simultaneously. By combining the topology of the present invention, in which a single magnetic component is shared by a primary side circuit and a secondary side circuit,
10 and synchronous rectification, a further optimized converter can be obtained, in which one MOSFET M_2 is shared between the primary side circuit and the secondary side circuit. Furthermore, with the proposed converter two of the MOSFETs are simple to drive since they only operate in two configurations (on/off) depending on which of the two mutually exclusive power flow configurations that is active. In summary this means
15 that in one embodiment of the present invention, there are five MOSFETs, wherein one (M_2) is shared between the primary side circuit and the secondary side circuit, and wherein two of the other MOSFETs do not have to be dynamically driven (on/off depending on power flow configuration). Fig. 3 shows this embodiment.

Description of drawings

20 The invention will in the following be described in greater detail with reference to the accompanying drawings. The drawings are exemplary and are intended to illustrate some of the features of the presently disclosed three-port direct current converter, and are not to be construed as limiting to the presently disclosed invention.

25 **Fig. 1** shows a conventional three-port converter having an input power source, a battery and a load.

Fig. 2 is a conceptual drawing of a three-port converter according to the present invention having an input power source, a battery and a load, wherein the three-port direct current converter is configured to operate in two mutually exclusive power flow
30 configurations.

Fig. 3a shows an embodiment of a three-port converter according to the present invention, wherein a single magnetic component (L) is shared by the primary side circuit and the secondary side circuit.

Fig. 3b shows the three-port converter in fig. 3a, wherein the primary side circuit, configured for operating as a buck converter, is highlighted.
35

Fig. 3c shows the three-port converter in fig. 3a, wherein the secondary side circuit, configured for operating as a boost converter, is highlighted.

Fig. 4a shows an embodiment of a three-port converter according to the present invention, wherein a magnetic component (L_{1A}) is shared by the primary side circuit and the secondary side circuit. In this embodiment there is a second optional magnetic component (L_{1B}) serially coupled to the first inductor to perform a voltage step-up of the second output voltage.

Fig. 4b shows the three-port converter in fig. 4a, wherein the primary side circuit, configured for operating as a buck converter, is highlighted.

Fig. 4c shows the three-port converter in fig. 4a, wherein the secondary side circuit, configured for operating as a tapped boost converter, is highlighted. In this embodiment there is a second optional magnetic component (L_{1B}) serially coupled to the first inductor to perform a voltage step-up of the second output voltage.

Fig. 5 shows a three-port converter according to the present invention operating as a buck converter.

Fig. 6 shows a three-port converter according to the present invention operating as a boost converter.

Fig. 7 shows a three-port converter according to the present invention operating as a tapped-boost converter.

Fig. 8a shows an embodiment of a three-port converter according to the present invention having coupled inductors L_{1A} and L_{1B} .

Fig. 8b shows the three-port converter of fig. 8a in buck mode.

Fig. 8c shows the three-port converter of fig. 8a in tapped boost mode.

Fig. 9a shows an embodiment of a three-port converter according to the present invention, wherein L_{1B} is replaced by a short circuit.

Fig. 9b shows the three-port converter of fig. 9a in buck mode.

Fig. 9c shows the three-port converter in fig. 9a in boost mode.

Fig. 10 shows waveforms of a three-port converter with coupled inductors in buck mode.

Fig. 11 shows waveforms of a three-port converter with coupled inductors in tapped boost mode.

Fig. 12 shows waveforms of a three-port converter with a single inductor in boost mode.

Detailed description of the invention

The present disclosure relates to a topology for a three-port direct current converter, in which a single magnetic component is shared by a primary side circuit and a secondary side circuit, by having the three-port direct current converter configured to operate in two mutually exclusive power flow configurations. Therefore, the invention relates to a three-port direct current converter comprising: at least one input direct current source; at least one storage battery; a primary side circuit; a secondary side circuit; a single magnetic component shared by the primary side circuit and the secondary side circuit, wherein the primary side circuit comprises a connection between the at least one input direct current source and the at least one storage battery, the primary side circuit configured for operating as a buck converter, wherein the secondary side circuit comprises a connection between the at least one storage battery and at least one load, the secondary side configured for operating as a boost converter, and wherein the three-port direct current converter is configured to operate in two mutually exclusive power flow configurations.

The proposed topology is a combination of two converters in a single magnetic component multi-port converter with at least one power input, at least one power output and at least one bidirectional power port. The proposed converter is based on the concept of shared components in order to increase the power density. Magnetic components play an important role in power density, weight and price. The topology uses a single magnetic component (L), which is shared between two mutually exclusive operating modes. The three-port direct current converter may operate as a buck converter charging the at least one storage battery in a first power flow configuration, and operate as a boost converter driving the at least one load in a second power flow configuration. The two mutually exclusive operating modes are 1) the circuit operating as a buck converter, wherein the input direct current source charges the at least one storage battery, and 2) the circuit operates as a boost converter, wherein the storage battery powers the at least one load. The possibility to share one single magnetic component can be seen as a result of realizing that if there is no direct power flow from the power input to the load, two mutually exclusive power flow configuration can be achieved, and by designing the voltage regulating parts, including a magnetic portion, a design can be achieved in which a single magnetic component can be shared between the two circuits (first and secondary). The inventor has realized that such a designed is suitable for light-to-light solutions, i.e. wherein the input power source is solar energy

and the power output is a light, for example a street light. In principle, when there is daylight there is no need for the street light, and when there is no daylight it is not possible to charge the storage battery. These two cases may translate into the two mutually exclusive power flow configurations, and therefore the presently disclosed invention may be suitable for light-to-light solutions. Compared to a convention three-port converter, the presently disclosed invention can be seen as significant benefit since it is capable of operating with one single magnetic component. This is beneficial for the size, price and weight of the converter.

10 In one embodiment of the present invention the magnetic component is a first inductor. The conceptual model of a buck converter is best understood in terms of the relation between current and voltage of the inductor. Beginning with the switch open (in the "off" position), the current in the circuit is 0. When the switch is first closed, the current will begin to increase, and the inductor (L in the fig. 3b example) will produce an
15 opposing voltage across its terminals in response to the changing current. This voltage drop counteracts the voltage of the source and therefore reduces the net voltage across the load. For the present invention this means that the role of the magnetic component can be seen as regulating a first output voltage of the primary side circuit in the first power flow configuration. The first output voltage corresponds to the voltage of
20 the at least one storage battery. The first output voltage may therefore be regulated to match a predefined voltage range of the at least one storage battery. The primary side circuit can also be said to operate as a voltage step down and current step up converter in a first power flow configuration.

25 The conceptual model of a boost converter can also be understood in terms of the relation between current and voltage of an inductor. In a boost converter, the output voltage is higher than the input voltage. In a boost converter, there is one state in which the current flows through the load and the inductor stores some energy by generating a magnetic field. In a second state, a switch is typically opened which increases the
30 impedance, reduces the current, and, as a consequence, causes a higher voltage to charge the capacitor (C3 in the fig. 3c example). When the switch is then closed the capacitor is able to provide the voltage and energy to the load. For the present invention this means that the role of the magnetic component can be seen as regulating a second output voltage of the secondary side circuit in the second power
35 flow configuration. Optionally, the magnetic component can be said to regulating a

second output voltage by using an additional capacitor. The second output voltage may therefore be regulated to match a predefined voltage range of the at least one load.

5 A further aspect of the presently disclosed invention relates to the secondary side circuit optionally comprising a second inductor serially coupled to the first inductor, wherein the first and second inductors are configured to perform a voltage step-up of the second output voltage. In this mode the topology operates as a tapped-boost converter, which provides high step-up ratio from the battery port. An example of such a topology can be found in fig. 4a-c, wherein the component L_{1B} is the second inductor.
10 If the specification at the load of the secondary side circuit requires high step-up voltage; the output voltage can then be adjusted with the turns ratio between the two inductors, depending on the required output voltage.

In one embodiment, the at least one input direct current source comprises a
15 photovoltaic panel. As stated above that the present invention is suitable for light-to-light solutions, i.e. wherein the input power source is solar energy. Therefore, in one embodiment the at least one input direct current source comprises a photovoltaic panel (solar panel). In principle, the topology also works for any other direct input source. Also relating to light-to-light solutions, one embodiment of the invention relates to the at
20 least one load comprises at least one light source, including any electronically powered light sources, such as light-emitting diodes.

When designing a three-port converter, weather conditions, battery performance and load requirements have to be taken into consideration. In the example of a light-to-light
25 solution the following factors are examples of factors that have to be taken into account: For how long will the battery have to power the light (i.e. how many dark hours during a 24 hour day)? What are the weather (sun) conditions? What is the input power during a day worst case? How much power does the load require? How much energy can the battery store? The presently proposed topology is power efficient and therefore
30 eases the design choices in these respects. However, to further improve the system, the inventor has realized that by having a dimmable light source, the requirements on the rest of the system can be reduced. For example, if it has been a cloudy day and the battery has not been fully charged, the light source can be adjusted to use less power and thereby reduce the power consumption for the following night. In one embodiment
35 direct current converter is configured to dim the light-emitting diode according to a state of charge requirement of the at least one storage battery. A further aspect of the

present invention relates to the secondary side circuit comprising parallel-connected loads. A further aspect of the present invention relates to the fact that the secondary side circuit may comprise multiple loads. The proposed solution is power efficient and if several loads can be powered by the same storage battery, further efficiency can be achieved. In a further embodiment the multiple loads may be regulated independently. Since the power of the battery is limited it may be useful to implement a solution wherein the loads are regulated such that the optimal use of the resources is achieved with respect to the needs of the different loads.

10 A further aspect of the presently disclosed invention relates to the three-port direct current converter being configured to operate without diodes. Synchronous rectification, or active rectification, is a technique for improving the efficiency of rectification by replacing diodes with actively controlled switches such as transistors. In low voltage converters, the voltage drop of a diode has an adverse effect on efficiency.

15 Replacing a diode with an actively controlled switching element such as a MOSFET is the heart of synchronous rectification. MOSFETs have a constant very low resistance when conducting. The voltage drop across the transistor is then much lower, meaning a reduction in power loss and a gain in efficiency. The drawback of this technique is that typically extra gate control signals are needed for controlling the MOSFETs. In one

20 embodiment of the present inventions all the switches are active switches in order to reduce voltage drops in the power flow path, where M5 and M4 are power flow path configuration switches, M2 acts as synchronous rectifier in buck mode and M3 operates as synchronous rectifier in boost/tapped boost mode. By combining the topology of the present invention, in which a single magnetic component is shared by a

25 primary side circuit and a secondary side circuit, and synchronous rectification, a further optimized topology can be obtained, in which one MOSFET M_2 is shared between the primary side circuit and the secondary side circuit. Therefore, a MOSFET M_2 may be shared between the primary side circuit and the secondary side circuit, which also means that it is shared between the two power flow configurations. Figure

30 3a shows the topology, wherein the primary side circuit and a secondary side circuit share an inductor L and a MOSFET M_2 . Figs. 3b and 3c show the circuit being used as a buck converter and a boost converter respectively. This means that both a magnetic component, such as L, and a MOSFET, such as M_2 , may be shared between the primary side circuit and a secondary side circuit according to the present invention,

35 wherein L is the only magnetic component of the three-port direct current converter (unless the secondary side circuit is configured to operate as a tapped-boost converter,

which means that a second inductor is serially coupled to the first inductor). As previously stated, the shared magnetic component regulates a first output voltage of the primary side circuit in the first power flow configuration, and regulates a second output voltage of the secondary side circuit in the second power flow configuration. In
5 this embodiment M_2 actively controls the current and voltage of the inductor in both power flow configurations.

A further effect of the proposed topology is that the MOSFETs are simpler to drive compared to a conventional three-port converter. As stated, MOSFET M_2 may be
10 shared between the primary side circuit and the secondary side circuit. In one embodiment there are four other MOSFETs M_1 , M_3 , M_4 and M_5 , of which only two (M_1 and M_3) have to be dynamically driven by pulse-width modulators since M_4 and M_5 only have two states (on/off) and never change state in a power flow configuration. Fig. 3 shows this embodiment. During the time the solar energy is not available, MOSFET M_5
15 is turned off and M_4 is active, so the battery port powers the LED output as shown in Fig. 3c. When the renewable energy source is available, MOSFET M_5 is active and M_4 is turned off so the converter processes the energy from the photovoltaic panel to the battery side as shown in Fig. 3b. Therefore, M_4 and M_5 do not require pulse-width modulators.

20
In one embodiment of the present invention, the three-port direct current converter comprises a MOSFET M_1 configured to control the current and voltage of the at least one single magnetic component. The single magnetic component in this embodiment is preferably the inductor L . As previously stated, the shared magnetic component
25 regulates a first output voltage of the primary side circuit in the first power flow configuration. In this embodiment M_1 actively controls the current and voltage of the inductor in the first power flow configuration. In another (or within the same) embodiment, the secondary side circuit comprising a MOSFET M_3 between the first inductor and the at least one load. If the converter is configured to operate as a tapped-
30 boost converter, i.e. having a second inductor serially coupled to the first inductor as showed in fig. 4a, the MOSFET M_3 may be placed between the first inductor L_{1A} and the second inductor L_{1B} . As previously stated, the shared magnetic component regulates a second output voltage of the second side circuit in the second power flow configuration. In this embodiment M_3 actively controls the current and voltage of the
35 inductor in the second power flow configuration.

A further embodiment of the present invention relates to a system, such as a street light, or a path light, or a guiding light, or a garden light or decorative light comprising the three-port direct current converter described above. These are applications that would benefit from a stand-alone off-grid system according to the present invention.

5 Such a system provides flexibility in terms of positioning of the system and eliminates the cost of cables etc. The presently disclosed three-port converter offers improved power density, weight and price in comparison to convention three-port converters. Street light in this context shall be interpreted broadly and includes any kind of street light or lighting, also for indoor purposes or lights placed e.g. directly on the ground,

10 e.g. to light pavements or buildings. Path lights are used to light paths or guide roads or paths in e.g. gardens, parks and urban environment. The system may also be integrated into urban furniture, such as benches, bike racks and the like. The system may also serve as light decoration, and can also be used for indication purposes, for example to indicate security or emergency equipment, such as rescue ladders or

15 emergency doors. Other examples of applications are as indications of runways for airplanes or mounted on buoys in the sea for orientation purposes. The three-port converter according to the present invention is not limited to lighting applications. The at least one load in the secondary side circuit could be any electrical component that consumes electric power, and the current source in the primary side circuit could be

20 any direct current source.

Examples

Fig. 1 shows a conventional three-port converter having an input power source 1, a battery 3 and a load 2. The design of the three-port converter is complex and requires

25 a large number of electrical components. In the conventional three-port converter there is a direct power flow 4 from the power input to the load.

Fig. 2 is a conceptual drawing of a three-port converter according to the present invention having an input power source 1, a battery 3 and a light-emitting diode 5,

30 which constitutes the load, wherein the three-port direct current converter is configured to operate in two mutually exclusive power flow configurations. This design corresponds to an electrical circuit having a primary side circuit comprising a connection between the at least one input direct current source and the at least one storage battery, the primary side circuit configured for operating as a buck converter,

35 and having a secondary side circuit comprising a connection between the at least one

storage battery and at least one load, the secondary side configured for operating as a boost converter, and wherein the three-port direct current converter is configured to operate in two mutually exclusive power flow configuration. A single magnetic component is shared by the primary side circuit and the secondary side circuit. A
 5 consequence of the proposed topology is that there is no direct power flow from the power input to the load.

Fig. 3a shows an embodiment of a three-port converter according to the present invention, wherein a single magnetic component (L) is shared by the primary side circuit and the secondary side circuit. In this embodiment there is MOSFET M_5 with one side connected to ground (node n_1). On the other side of M_5 seen from the ground, there is a photovoltaic input power source V_{PV} connected serially to M_5 , wherein there is a node n_2 on the other side of V_{PV} . Also connected to n_1 are: the battery V_{bat} , a capacitor C_2 , wherein the sides of V_{bat} and C_2 (fronting away from the ground) are
 10 joined in a node 3. Also connected to n_1 are a MOSFET M_2 , defining a node n_4 on the opposite side of M_2 compared to the ground, and a MOSFET M_4 , defining a node n_5 on the opposite side of M_4 compared to the ground. Furthermore there is a capacitor C_1 between n_2 and n_3 , an inductor L between n_3 and n_4 , and a MOSFET M_1 between n_2 and n_4 . There is also a MOSFET M_3 with one end connected to n_4 and one end defining
 15 a node n_6 . A capacitor C_3 and a light-emitting diode V_{LED} are connected in parallel between nodes n_5 and n_6 .

Fig. 3b shows the three-port converter in fig. 3a, wherein the primary side circuit, configured for operating as a buck converter, is highlighted. The components from fig.
 25 3a that are active in this configuration are V_{PV} , M_5 , V_{bat} , C_1 , M_1 , L, M_2 and C_2 .

Fig. 3c shows the three-port converter in fig. 3a, wherein the secondary side circuit, configured for operating as a boost converter, is highlighted. The components from fig. 3a that are active in this configuration are V_{LED} , C_3 , M_3 , M_4 , L, M_2 and C_2 . Thus, the
 30 component that are active both in the primary side circuit and the the secondary side circuit are: L, M_2 and C_2 .

Fig. 4a shows an embodiment of a three-port converter according to the present invention, wherein a single magnetic component (L_{1A}) is shared by the primary side circuit and the secondary side circuit. The principle is the same as in fig. 3, but in this
 35 embodiment there is a second magnetic component (L_{1B}) serially coupled to the first

inductor through a node n7 to perform a voltage step-up of the second output voltage. In this embodiment M3 is located between the nodes n4 and n7, and the second optional magnetic component (L_{1B}) is located between nodes n7 and n6.

5 Fig. 4b shows the three-port converter in fig. 4a, wherein the primary side circuit, configured for operating as a buck converter, is highlighted.

Fig. 4c shows the three-port converter in fig. 4a, wherein the secondary side circuit, configured for operating as a tapped boost converter, is highlighted. In this embodiment
10 there is a second optional magnetic component (L_{1B}) serially coupled to the first inductor to perform a voltage step-up of the second output voltage.

Fig. 5 shows a three-port converter according to the present invention operating as a buck converter, with ideal operating waveforms. Switch M_5 is constantly on and switch
15 M_4 is constantly off. From top to bottom: Gate-to-source voltage V_{GS} of switches M_1 and M_2 , respectively, drain-to-source voltage V_{DS} of switch M_2 , current through switches M_1 and M_2 , I_{M1} and I_{M2} , respectively, inductor voltage V_L and inductor current I_L .

Fig. 6 shows a three-port converter according to the present invention operating as a
20 boost converter, with ideal operating waveforms. Switch M_4 is constantly on and switch M_5 is constantly off. From top to bottom: Gate-to-source voltage V_{GS} of switches M_2 and M_3 , respectively, drain-to-source voltage V_{DS} of switch M_2 , current through switches M_2 and M_3 , I_{M2} and I_{M3} respectively, inductor voltage V_L and inductor current I_L .

Fig. 7 shows a three-port converter according to the present invention operating as a
25 tapped-boost converter, with ideal operating waveforms. Switch M_4 is constantly on and switch M_5 is constantly off. From top to bottom: Gate-to-source voltage V_{GS} of switches M_2 and M_3 , respectively, drain-to-source voltage V_{DS} of switch M_2 , current through switches M_2 and M_3 , I_{M2} and I_{M3} respectively, inductor L_{1A} voltage V_{L1A} and current I_{L1A}
30 and inductor L_{1B} voltage V_{L1B} and current I_{L1B} .

Fig. 8a shows an embodiment of a three-port converter according to the present invention, wherein a single magnetic component (L_{1A}) is shared by the primary side circuit and the secondary side circuit. In this embodiment there is a MOSFET M_5 with
35 one side connected to ground (node n_1). On the other side of M_5 seen from the ground, there is a photovoltaic input power source V_{PV} connected serially to M_5 , wherein there

is a node n_2 on the other side of V_{PV} . Also connected to n_1 are: the battery V_{bat} , a capacitor C_2 , wherein the sides of V_{bat} and C_2 (fronting away from the ground) are joined in a node 3. Also connected to n_1 are a MOSFET M_2 , defining a node n_4 on the opposite side of M_2 compared to the ground, and a MOSFET M_4 , defining a node n_5 on the opposite side of M_4 compared to the ground. Furthermore there is a capacitor C_1 between n_2 and n_3 , an inductor L_{1A} between n_3 and n_4 , and a MOSFET M_1 between n_2 and n_4 . There is also a MOSFET M_3 with one end connected to n_4 and one end defining a node n_7 . The circuit has a second inductor L_{1B} serially coupled to L_{1A} between n_7 and a new node n_6 . A capacitor C_3 and a light-emitting diode V_{LED} are connected in parallel between nodes n_5 and n_6 .

Fig. 8b shows the three-port converter in fig. 8a, wherein the primary side circuit, configured for operating as a buck converter, is highlighted.

Fig. 8c shows the three-port converter in fig. 8a, wherein the secondary side circuit, configured for operating as a tapped boost converter, is highlighted. In this embodiment there is a second optional magnetic component (L_{1B}) serially coupled to the first inductor to perform a voltage step-up of the second output voltage.

Fig. 9a shows an embodiment of a three-port converter according to the present invention, wherein L_{1B} is replaced by a short circuit.

Fig. 9b shows the three-port converter of fig. 9a in buck mode.

Fig. 9c shows the three-port converter in fig. 9a in boost mode.

Fig. 10 shows a three-port converter according to the present invention operating as a buck converter. Switch M_5 is constantly on and switch M_4 and M_3 are constantly off. From top to bottom: Gate-to-source voltage V_{GS} of switches M_1 and M_2 , respectively, voltage $V_{L_{1A}}$ over the single magnetic component (L_{1A}) and inductor current $I_{L_{1A}}$.

Fig. 11 shows a three-port converter according to the present invention operating as a tapped-boost converter. Switch M_4 is constantly on and switch M_5 and M_1 are constantly off. From top to bottom: Gate-to-source voltage V_{GS_M2} and V_{GS_M3} of switches M_2 and M_3 , respectively, voltage $V_{L_{1A}}$ over the single magnetic component (L_{1A}) and inductor current $I_{L_{1A}}$, and inductor current $I_{L_{1B}}$ over the second inductor L_{1B} .

Fig. 12 shows a three-port converter according to the present invention operating as a boost converter. Switch M_4 is constantly on and switch M_5 and M_1 are constantly off. From top to bottom: Gate-to-source voltage V_{GS} of switches M_2 and M_3 , respectively, voltage V_{L1A} over the single magnetic component (L_{1A}), and current I_{L1A} through the single magnetic component (L_{1A}).

Further details of the invention

1. A three-port direct current converter comprising:
 - at least one input direct current source;
 - at least one storage battery;
 - a primary side circuit;
 - a secondary side circuit;
 - a single magnetic component shared by the primary side circuit and the secondary side circuit,wherein the primary side circuit comprises a connection between the at least one input direct current source and the at least one storage battery, the primary side circuit configured for operating as a buck converter, wherein the secondary side circuit comprises a connection between the at least one storage battery and at least one load, the secondary side configured for operating as a boost converter, and wherein the three-port direct current converter is configured to operate in two mutually exclusive power flow configurations.
2. The three-port direct current converter according to any of the preceding claims, wherein the three-port direct current converter operates as a buck converter charging the at least one storage battery in a first power flow configuration, and the three-port direct current converter operates as a boost converter driving the at least one load in a second power flow configuration.
3. The three-port direct current converter according to any of the preceding claims, wherein the magnetic component regulates a first output voltage of the primary side circuit in the first power flow configuration, and wherein the magnetic component regulates a second output voltage of the secondary side circuit in the second power flow configuration.

4. The three-port direct current converter according to any of the preceding claims, wherein the three-port direct current converter operates as a voltage step down and current step up converter in a first power flow configuration.
5
5. The three-port direct current converter according to any of the preceding claims, wherein the first output voltage is regulated to match a predefined voltage range of the at least one storage battery.
- 10 6. The three-port direct current converter according to any of the preceding claims, wherein the second output voltage is regulated to match a predefined voltage range of the at least one load.
- 15 7. The three-port direct current converter according to any of the preceding claims, wherein the three-port direct current converter is configured to operate without a direct power flow from the at least one input direct current source to the at least one load.
- 20 8. The three-port direct current converter according to any of the preceding claims, wherein the three-port direct current converter is configured to operate with one single magnetic component.
- 25 9. The three-port direct current converter according to any of the preceding claims, wherein the single magnetic component is the only magnetic component of the three-port direct current converter.
- 30 10. The three-port direct current converter according to any of the preceding claims, wherein the magnetic component is a first inductor.
- 35 11. The three-port direct current converter according to any of the preceding claims, the secondary side circuit comprising a second inductor serially coupled to the first inductor, wherein the first and second inductors are configured to perform a voltage step-up of the second output voltage.
12. The three-port direct current converter according to claim 0, wherein said secondary side is configured to operate as a tapped boost converter.

- 5 13. The three-port direct current converter according to any of the preceding claims, wherein the at least one input direct current source comprises a photovoltaic panel.
14. The three-port direct current converter according to any of the preceding claims, wherein the at least one load comprises a light-emitting diode.
- 10 15. The three-port direct current converter according to claim 8, wherein the three-port direct current converter is configured to dim the light-emitting diode according to a state of charge requirement of the at least one storage battery.
- 15 16. The three-port direct current converter according to any of the preceding claims, wherein the secondary side circuit comprises parallel-connected loads.
17. The three-port direct current converter according to any of the preceding claims, wherein the secondary side circuit comprises multiple loads.
- 20 18. The three-port direct current converter according to claim 17, wherein the loads are regulated independently.
- 25 19. The three-port direct current converter according to any of the preceding claims, wherein the three-port direct current converter is configured to operate without diodes.
- 30 20. The three-port direct current converter according to any of the preceding claims, wherein the three-port direct current converter comprises actively controlled switching elements configured to control power flows of three-port direct current converter.
- 35 21. The three-port direct current converter according to claim 9, wherein the actively controlled switching elements are metal-oxide-semiconductor field-effect transistors (MOSFETs).

22. The three-port direct current converter according to any of claims 9-9, wherein a MOSFET M_2 is shared between the primary side circuit and the secondary side circuit.
- 5 23. The three-port direct current converter according to any of the preceding claims, the secondary side circuit comprising a MOSFET M_3 between the first inductor and the at least one load.
- 10 24. The three-port direct current converter according to any of claims 9-11, the three-port direct current converter comprising a MOSFET M_5 configured to enable and disable the first power flow configuration, such that when M_5 is turned on energy is processed from the at least one input direct current source to the at least one storage battery.
- 15 25. The three-port direct current converter according to any of claims 9-12, the three-port direct current converter comprising a MOSFET M_4 configured to enable and disable the second power flow configuration, such that when M_4 is turned on the at least one storage battery powers the at least one load.
- 20 26. The three-port direct current converter according to any of claims 9-12, the three-port direct current converter comprising a MOSFET M_1 configured to control the current and voltage of the at least one single magnetic component.
- 25 27. The three-port direct current converter according to any of claims 9-13, wherein M_1 , M_2 and M_3 are driven by pulse-width modulated signals, and M_4 and M_5 are driven by enable/disable signals that do not vary within the power flow configurations.
- 30 28. A system, such as a street light, or a path light, or a guiding light, or a garden light or decorative light, comprising the three-port direct current converter according to any of claims 1-14.

Claims

1. A three-port direct current converter comprising:
- at least one input direct current source;
 - at least one storage battery;
 - 5 - a primary side circuit;
 - a secondary side circuit;
 - a first single magnetic component shared by the primary side circuit and the secondary side circuit, wherein the primary side circuit comprises a connection between the at least one input direct current source and the
 - 10 at least one storage battery, the primary side circuit configured for operating as a buck converter;
 - a second magnetic component serially coupled to the first single magnetic component, wherein the first and second magnetic components are configured to perform a voltage step-up, wherein the
 - 15 secondary side circuit comprises a connection between the at least one storage battery and at least one load, the secondary side configured for operating as a tapped boost converter,
- wherein the three-port direct current converter is configured to operate in two mutually exclusive power flow configurations.
- 20
2. The three-port direct current converter according to any of the preceding claims, wherein the first single magnetic component regulates a first output voltage of the primary side circuit in the first power flow configuration, and wherein the first and second magnetic components regulate a second output voltage of the
- 25 secondary side circuit in the second power flow configuration.
3. The three-port direct current converter according to claim 2, wherein the first output voltage is lower than the second output voltage.
- 30
4. The three-port direct current converter according to any of the preceding claims, wherein the three-port direct current converter operates as a voltage step down and current step up converter in a first power flow configuration.

5. The three-port direct current converter according to any of the preceding claims, wherein the second output voltage is regulated to match a predefined voltage range of the at least one load.
- 5 6. The three-port direct current converter according to any of the preceding claims, wherein the three-port direct current converter is configured to operate without a direct power flow from the at least one input direct current source to the at least one load.
- 10 7. The three-port direct current converter according to any of the preceding claims, wherein the first single magnetic component is a first inductor.
8. The three-port direct current converter according to any of the preceding claims, wherein the at least one input direct current source comprises a photovoltaic
15 panel, and the at least one load comprises a light-emitting diode.
9. The three-port direct current converter according to any of the preceding claims, wherein the three-port direct current converter comprises actively controlled switching elements configured to control power flows of three-port direct current
20 converter, and wherein the actively controlled switching elements are metal-oxide-semiconductor field-effect transistors (MOSFETs).
10. The three-port direct current converter according to claim 9, wherein a
25 MOSFET M_2 is shared between the primary side circuit and the secondary side circuit.
11. The three-port direct current converter according to any of the preceding claims, the secondary side circuit comprising a MOSFET M_3 between the first inductor and the at least one load.
- 30 12. The three-port direct current converter according to any of claims 9-11, the three-port direct current converter comprising a MOSFET M_5 configured to enable and disable the first power flow configuration, such that when M_5 is turned on energy is processed from the at least one input direct current source to the at least one storage battery, the three-port direct current converter further
35 comprising a MOSFET M_4 configured to enable and disable the second power

flow configuration, such that when M_4 is turned on the at least one storage battery powers the at least one load.

- 5 13. The three-port direct current converter according to any of claims 9-12, the three-port direct current converter comprising a MOSFET M_1 configured to control the current and voltage of the at least one first single magnetic component.
- 10 14. The three-port direct current converter according to any of claims 9-13, wherein M_1 , M_2 and M_3 are driven by pulse-width modulated signals, and M_4 and M_5 are driven by enable/disable signals that do not vary within the power flow configurations.
- 15 15. A system, such as a street light, or a path light, or a guiding light, or a garden light or decorative light, comprising the three-port direct current converter according to any of claims 1-14.

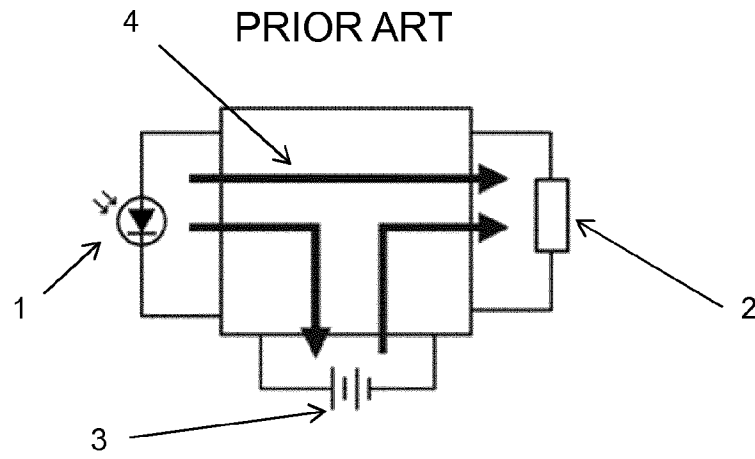


Fig. 1

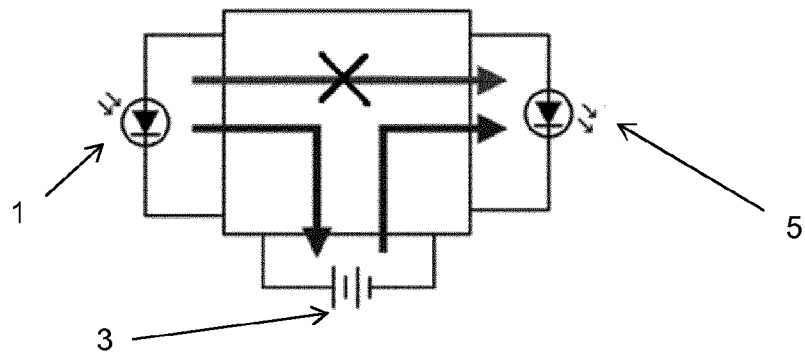


Fig. 2

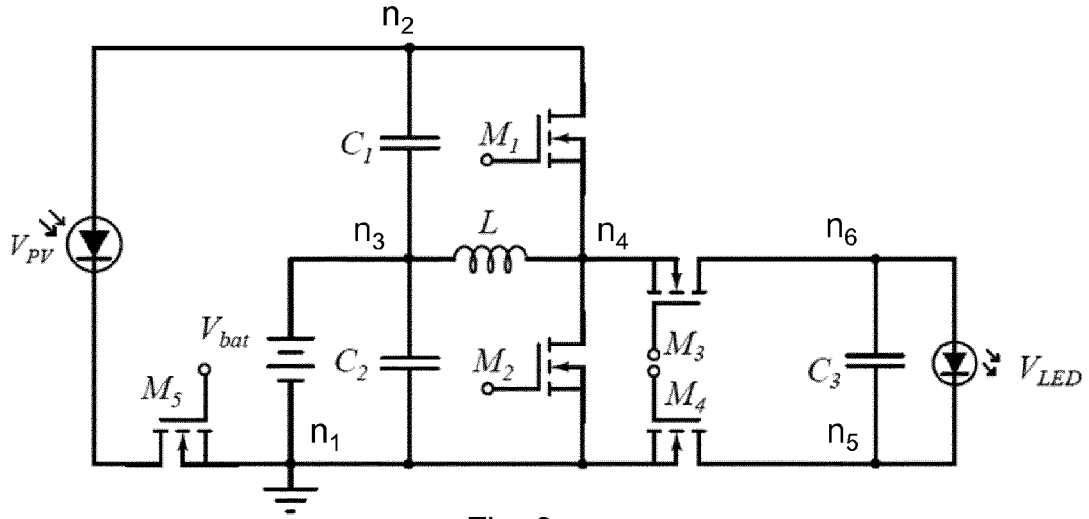


Fig. 3a

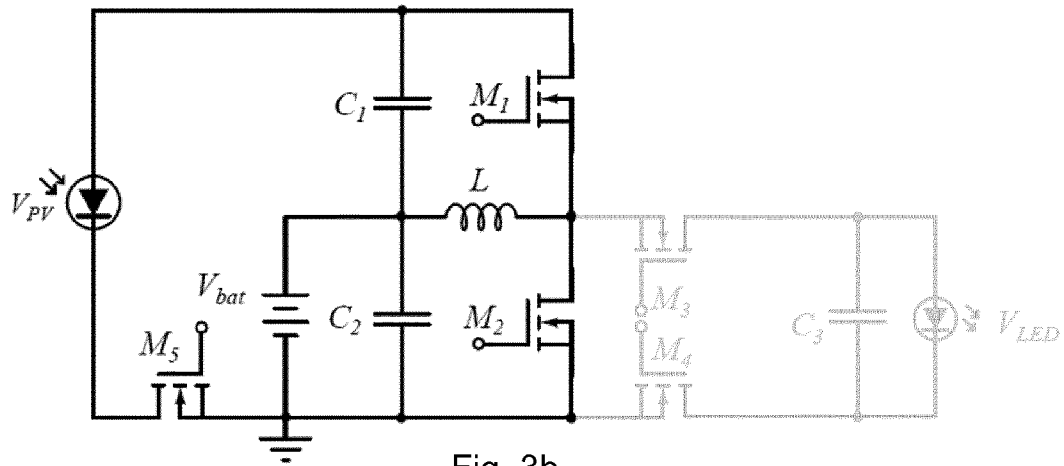


Fig. 3b

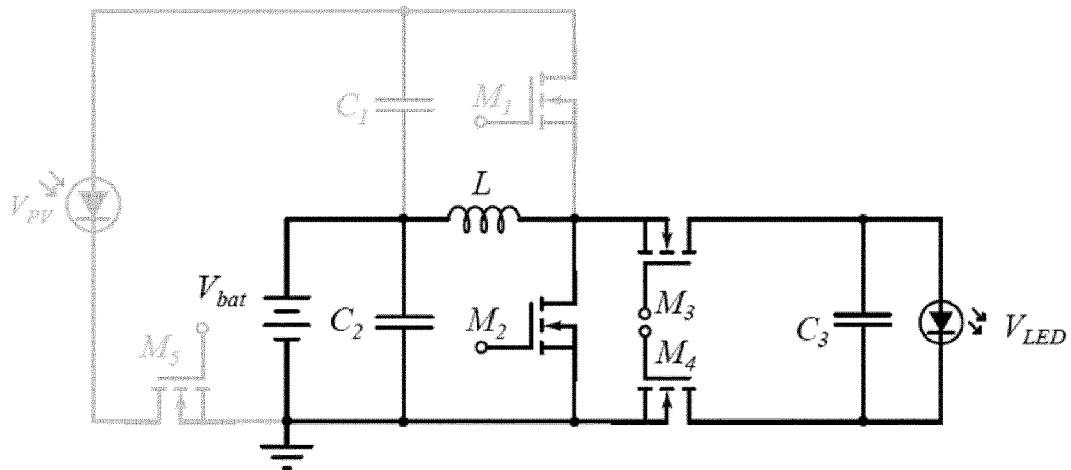


Fig. 3c

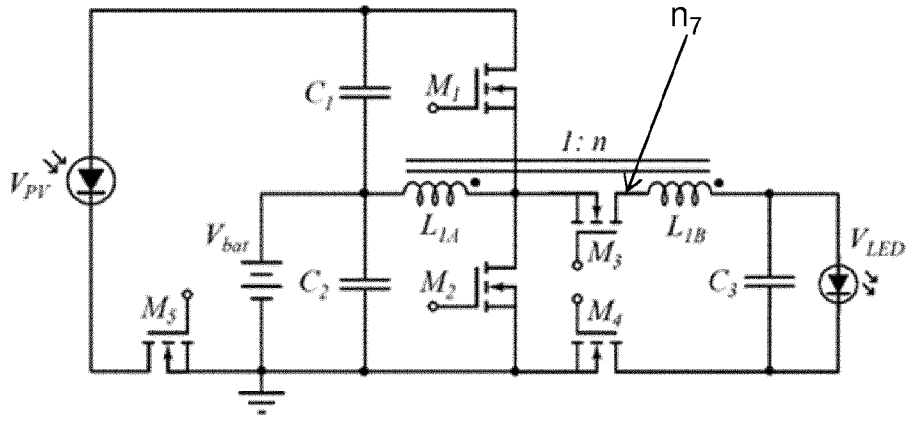


Fig. 4a

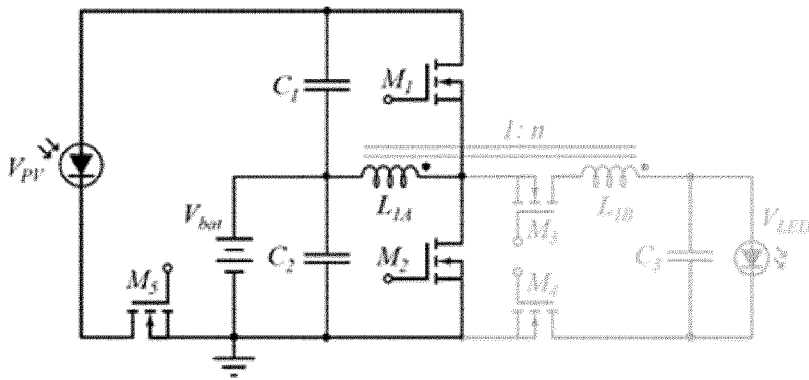


Fig. 4b

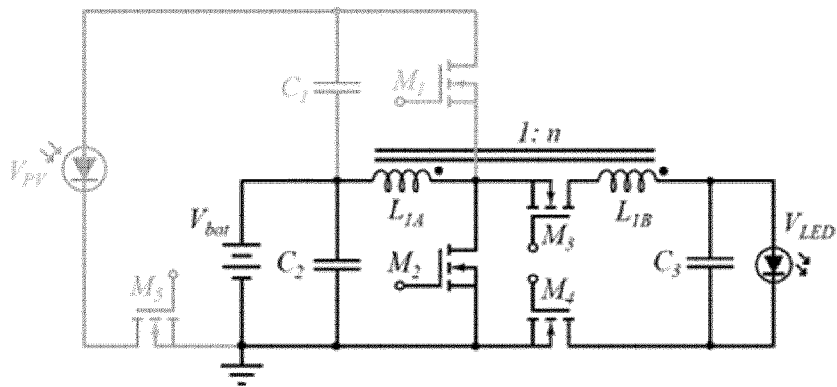


Fig. 4c

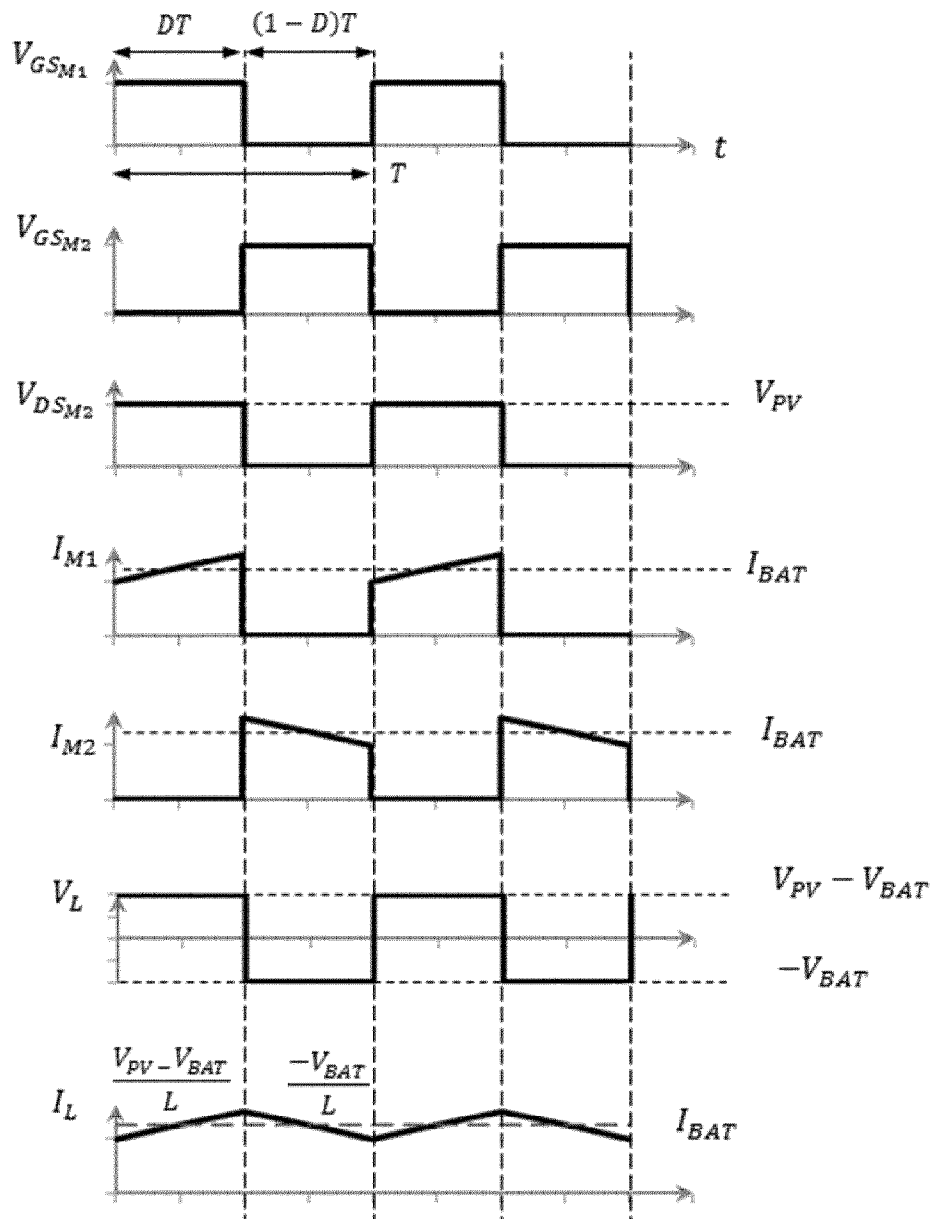


Fig. 5

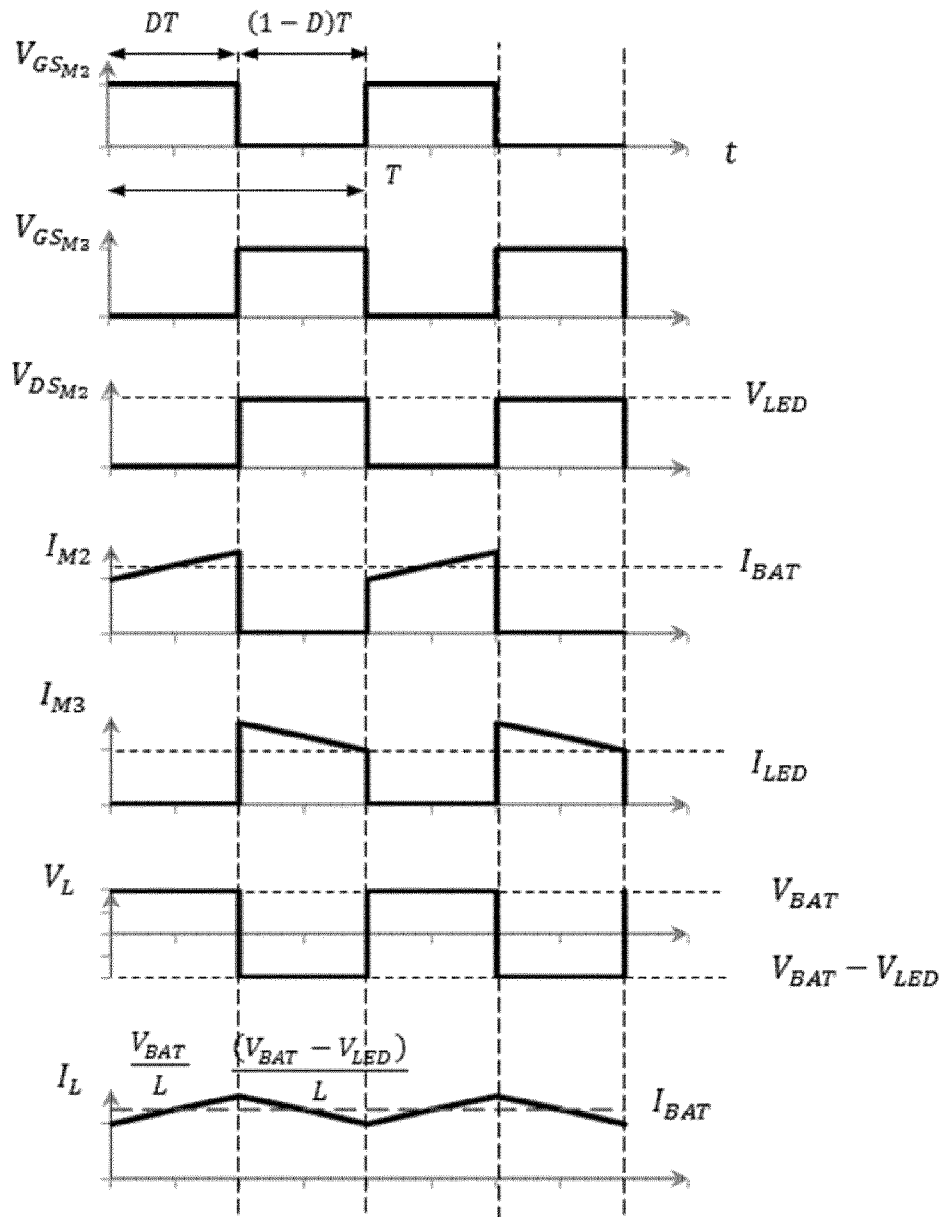


Fig. 6

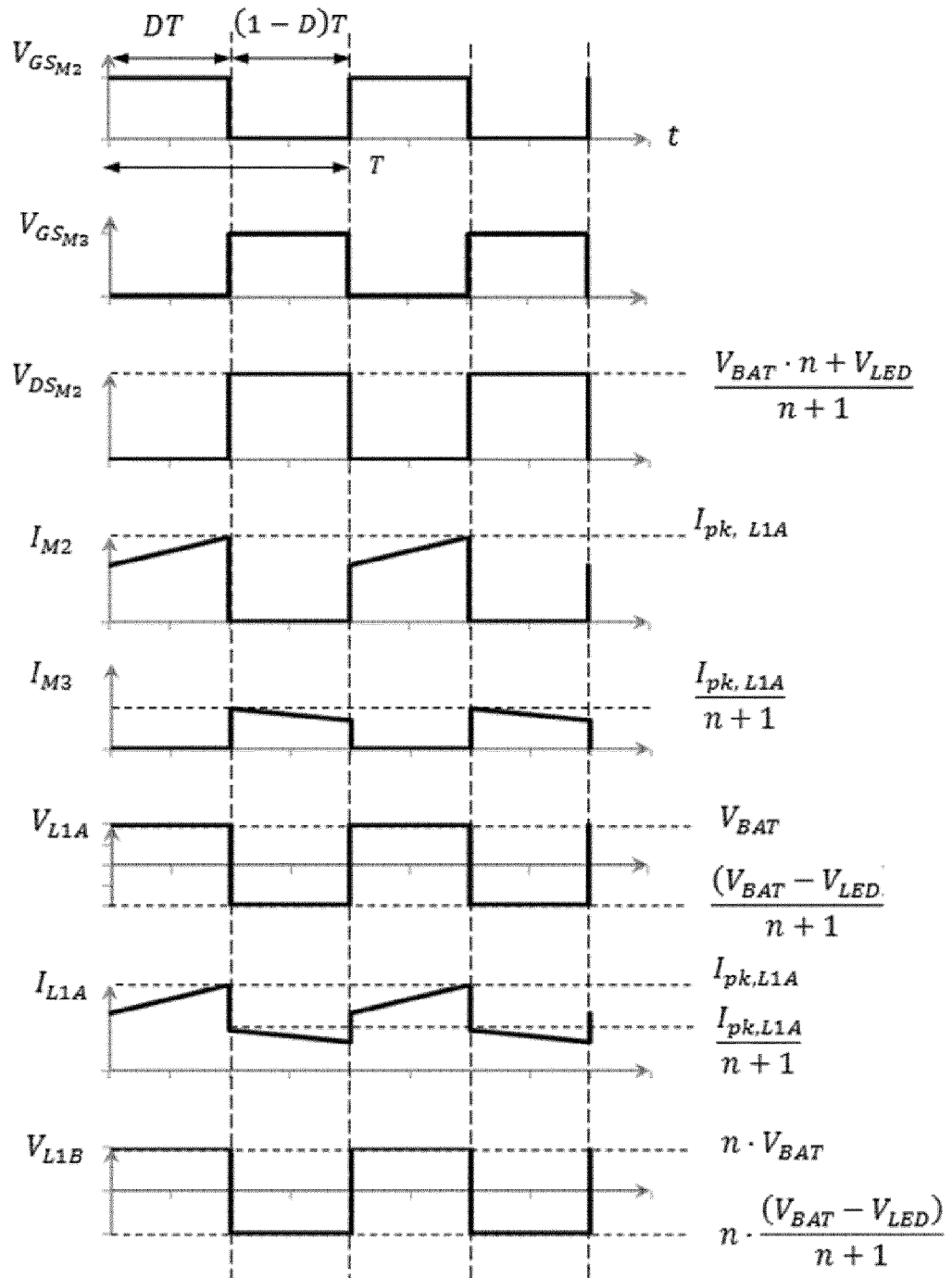


Fig. 7

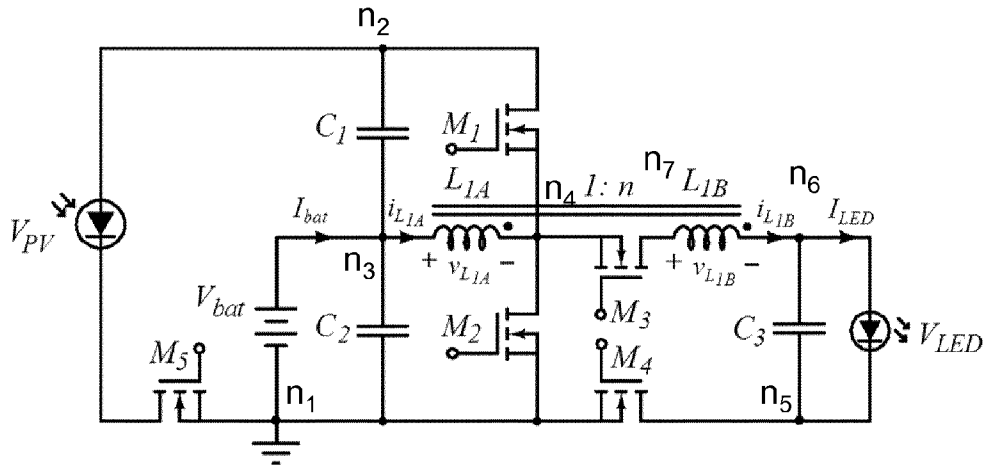


Fig. 8a

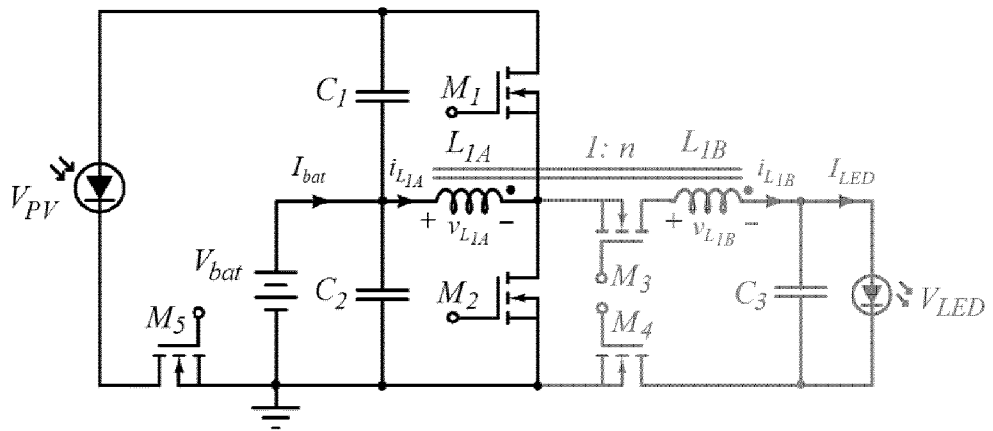


Fig. 8b

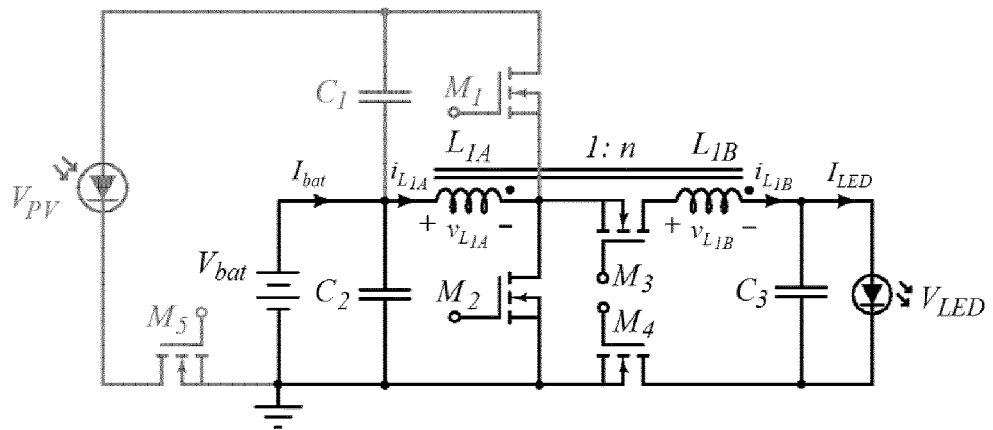


Fig. 8c

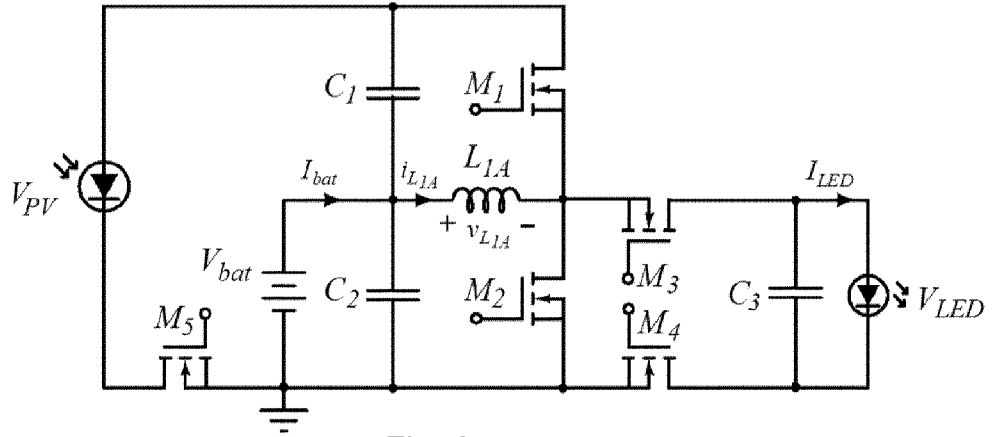


Fig. 9a

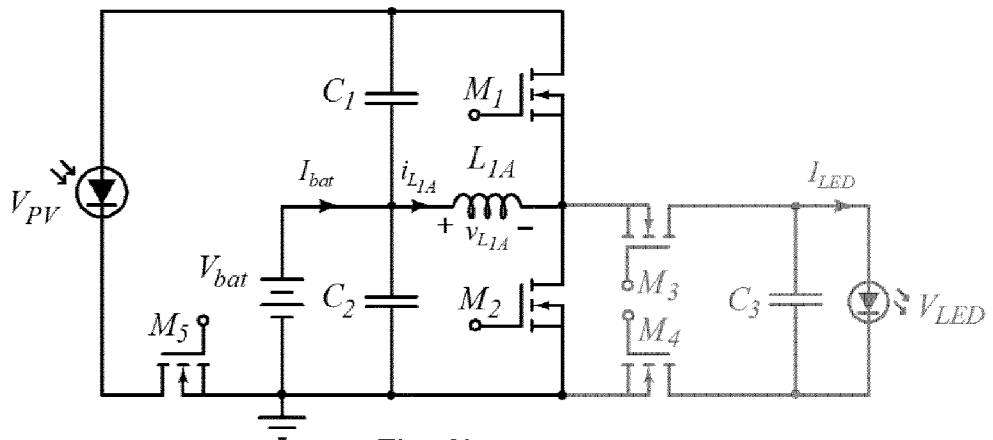


Fig. 9b

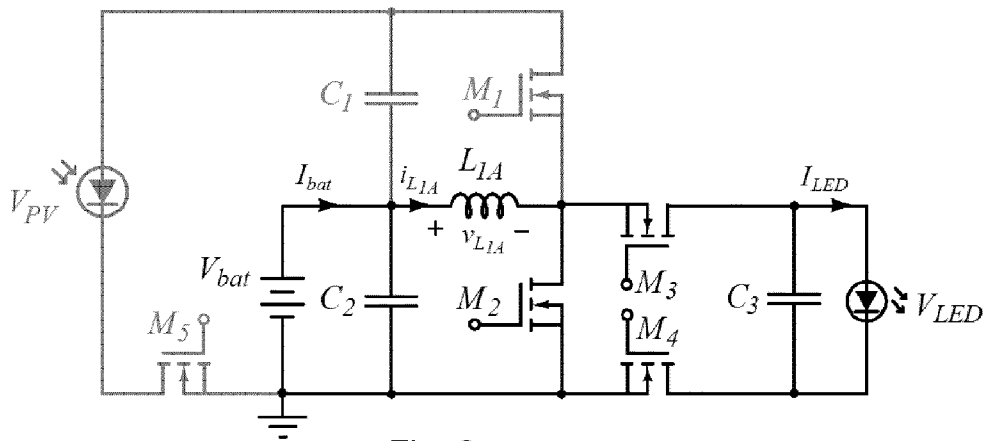


Fig. 9c

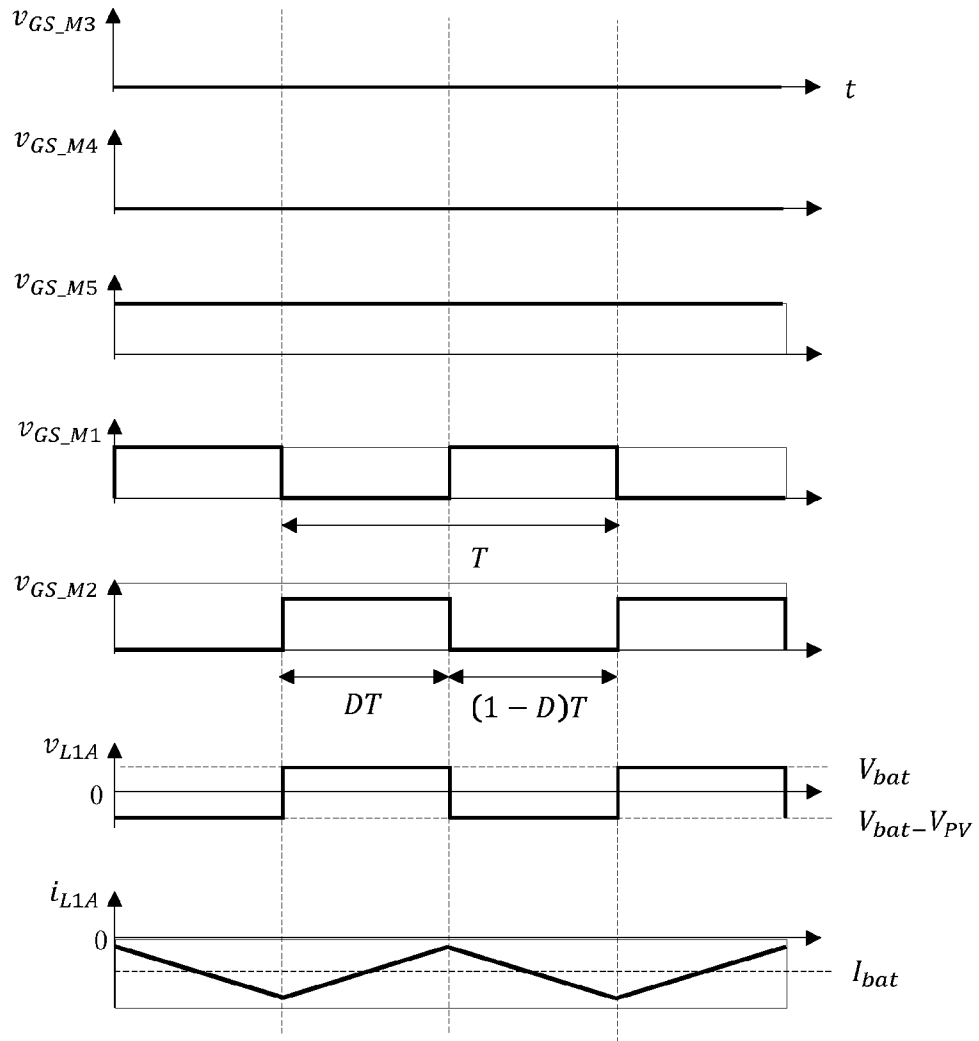


Fig. 10

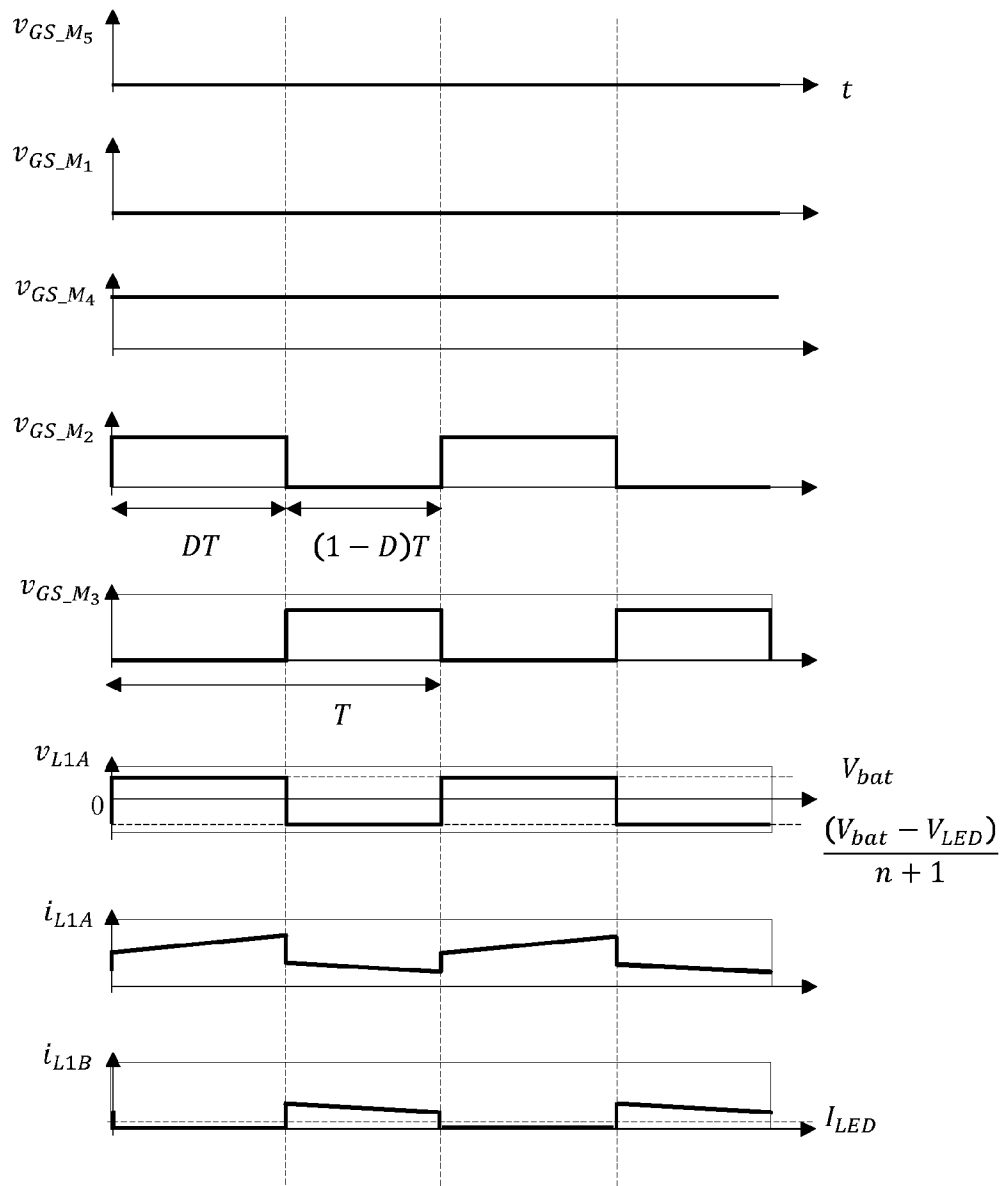


Fig. 11

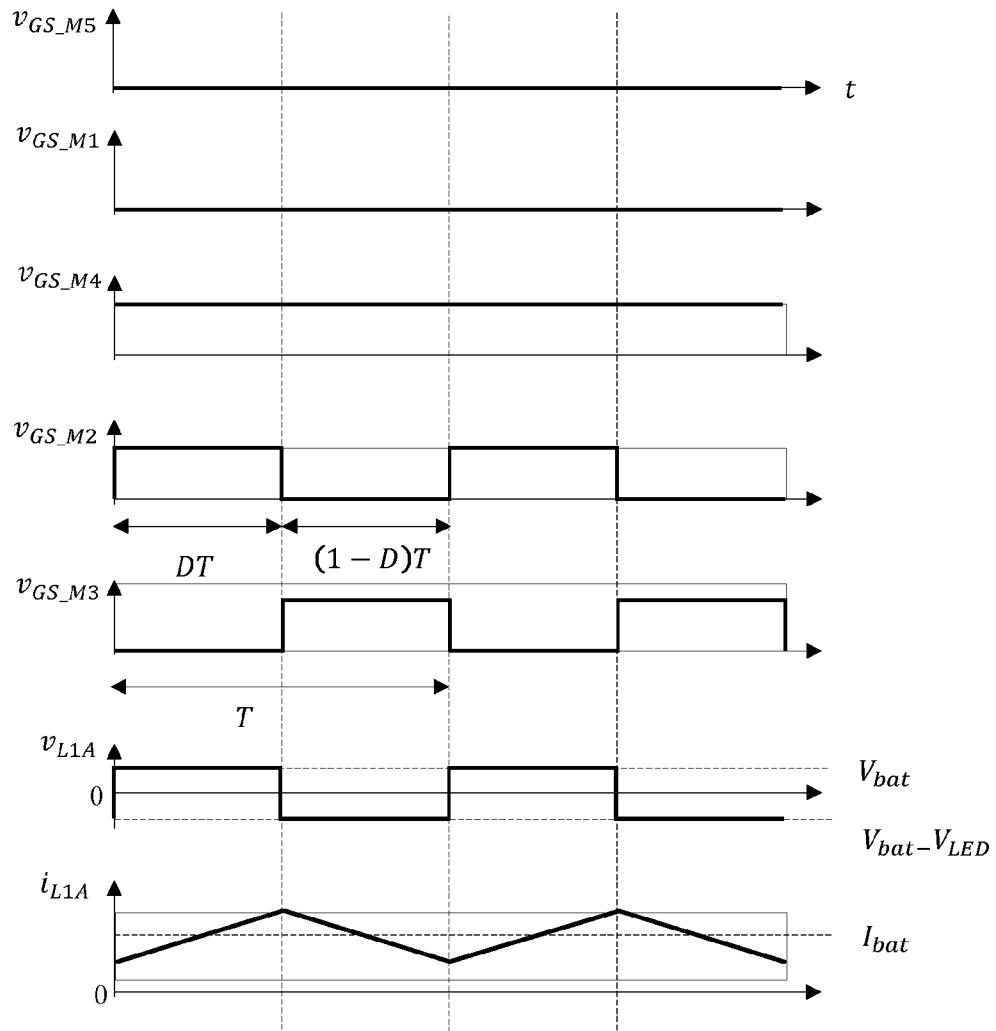


Fig. 12

INTERNATIONAL SEARCH REPORT

International application No
PCT/EP2016/059174

A. CLASSIFICATION OF SUBJECT MATTER
INV. H02M3/158 H02M1/00
ADD.
According to International Patent Classification (IPC) or to both national classification and IPC

B. FIELDS SEARCHED
Minimum documentation searched (classification system followed by classification symbols)
H02M

Documentation searched other than minimum documentation to the extent that such documents are included in the fields searched

Electronic data base consulted during the international search (name of data base and, where practicable, search terms used)
EPO-Internal, WPI Data

C. DOCUMENTS CONSIDERED TO BE RELEVANT

Category*	Citation of document, with indication, where appropriate, of the relevant passages	Relevant to claim No.
Y	CN 102 629 825 A (XIAMEN RATIONAL SEMICONDUCTOR TECHNOLOGY CO LTD) 8 August 2012 (2012-08-08) abstract; figures 3,4 -----	1-15
Y	CN 202 616 999 U (XIAMEN RATIONAL SEMICONDUCTOR TECHNOLOGY CO LTD) 19 December 2012 (2012-12-19) the whole document -----	1-15
Y	US 2013/141070 A1 (GOESSLING ANDREW D [US] ET AL) 6 June 2013 (2013-06-06) paragraph [0038] - paragraph [0041]; figures 2,6,7 paragraph [0037] paragraph [0022] ----- -/--	1-4,6,9, 11-13

Further documents are listed in the continuation of Box C.

See patent family annex.

* Special categories of cited documents :

"A" document defining the general state of the art which is not considered to be of particular relevance	"T" later document published after the international filing date or priority date and not in conflict with the application but cited to understand the principle or theory underlying the invention
"E" earlier application or patent but published on or after the international filing date	"X" document of particular relevance; the claimed invention cannot be considered novel or cannot be considered to involve an inventive step when the document is taken alone
"L" document which may throw doubts on priority claim(s) or which is cited to establish the publication date of another citation or other special reason (as specified)	"Y" document of particular relevance; the claimed invention cannot be considered to involve an inventive step when the document is combined with one or more other such documents, such combination being obvious to a person skilled in the art
"O" document referring to an oral disclosure, use, exhibition or other means	"&" document member of the same patent family
"P" document published prior to the international filing date but later than the priority date claimed	

Date of the actual completion of the international search 15 June 2016	Date of mailing of the international search report 24/06/2016
-------------------------------------------------------------------------------	----------------------------------------------------------------------

Name and mailing address of the ISA/ European Patent Office, P.B. 5818 Patentlaan 2 NL - 2280 HV Rijswijk Tel. (+31-70) 340-2040, Fax: (+31-70) 340-3016	Authorized officer Gusia, Sorin
----------------------------------------------------------------------------------------------------------------------------------------------------------------------	----------------------------------------

INTERNATIONAL SEARCH REPORT

International application No
PCT/EP2016/059174

C(Continuation). DOCUMENTS CONSIDERED TO BE RELEVANT		
Category*	Citation of document, with indication, where appropriate, of the relevant passages	Relevant to claim No.
A	<p>YU CHEN ET AL: "A family of cost-efficient non-isolated single-inductor three-port converters for low power stand-alone renewable power applications", APPLIED POWER ELECTRONICS CONFERENCE AND EXPOSITION (APEC), 2013 TWENTY-EIGHTH ANNUAL IEEE, IEEE, 17 March 2013 (2013-03-17), pages 1083-1088, XP032410470, DOI: 10.1109/APEC.2013.6520434 ISBN: 978-1-4673-4354-1 the whole document</p>	1-15
A	<p>----- US 2012/243267 A1 (KASSAYAN REZA [US]) 27 September 2012 (2012-09-27) paragraphs [0024], [0026], [0028]; figure 1a</p>	1-15
Y	<p>----- US 2013/193775 A1 (LEE KIOK [KR] ET AL) 1 August 2013 (2013-08-01) paragraph [0082] - paragraph [0083]; figure 10</p> <p>-----</p>	1-15

INTERNATIONAL SEARCH REPORT

Information on patent family members

International application No PCT/EP2016/059174

Patent document cited in search report	Publication date	Publication date	Patent family member(s)	Publication date
CN 102629825	A	08-08-2012	NONE	

CN 202616999	U	19-12-2012	NONE	

US 2013141070	A1	06-06-2013	CN 103138325 A	05-06-2013
			TW 201324116 A	16-06-2013
			US 2013141070 A1	06-06-2013

US 2012243267	A1	27-09-2012	CN 103650314 A	19-03-2014
			EP 2689523 A1	29-01-2014
			JP 2014509185 A	10-04-2014
			KR 20140037064 A	26-03-2014
			US 2012243267 A1	27-09-2012
			WO 2012129337 A1	27-09-2012

US 2013193775	A1	01-08-2013	CN 103227577 A	31-07-2013
			EP 2621075 A2	31-07-2013
			US 2013193775 A1	01-08-2013
