



(12) **United States Design Patent**  
**Shum et al.**

(10) **Patent No.:** **US D736,723 S**  
(45) **Date of Patent:** **\*\* Aug. 18, 2015**

(54) **LED LAMP**

(71) Applicant: **SORAA, INC.**, Fremont, CA (US)  
(72) Inventors: **Frank Shum**, Fremont, CA (US);  
**Clifford Jue**, Fremont, CA (US); **Artem Mishin**, Fremont, CA (US); **Zinovy Dolgonosov**, Fremont, CA (US); **George Xie**, Fremont, CA (US); **Michael Ragan Krames**, Fremont, CA (US); **Jinhui Zhai**, Fremont, CA (US)

(73) Assignee: **Soraa, Inc.**, Fremont, CA (US)

(\*\*) Term: **14 Years**

(21) Appl. No.: **29/454,826**

(22) Filed: **May 14, 2013**

**Related U.S. Application Data**

(63) Continuation-in-part of application No. 29/441,108, filed on Dec. 31, 2012, which is a continuation-in-part of application No. 29/423,725, filed on Jun. 4, 2012, now Pat. No. Des. 694,722, which is a continuation-in-part of application No. 29/399,523, filed on Aug. 15, 2011, now Pat. No. Des. 662,899, and a continuation-in-part of application No. 29/399,524, filed on Aug. 15, 2011, now Pat. No. Des. 662,900.

(51) **LOC (10) Cl.** ..... **13-03**

(52) **U.S. Cl.**  
USPC ..... **D13/179; D26/2**

(58) **Field of Classification Search**  
USPC ..... D13/179; D26/2, 113, 118; 165/80.3, 165/104.26, 104.33, 122, 151, 185; 257/706, 707, 718-722; 313/46; 315/52; 361/695, 697, 700, 702, 704, 361/709, 710, 711, 719  
CPC ..... F21V 7/20; F21V 29/22; F21V 29/74; F21V 29/75; F21V 29/77; F21K 9/13; F21K 9/135; F21K 9/137; F21K 9/1375

See application file for complete search history.

(56) **References Cited**

U.S. PATENT DOCUMENTS

3,874,443 A \* 4/1975 Bayer, Jr. .... 165/47  
6,204,602 B1 3/2001 Yang et al.  
6,864,572 B2 \* 3/2005 Lee et al. .... 257/717

(Continued)

FOREIGN PATENT DOCUMENTS

WO WO 2011/054716 5/2011

OTHER PUBLICATIONS

International Preliminary Report & Written Opinion of PCT Application No. PCT/US2011/060030 dated Mar. 21, 2012, 11 pgs. total.

(Continued)

*Primary Examiner* — Selina Sikder

(74) *Attorney, Agent, or Firm* — Saul Ewing LLP

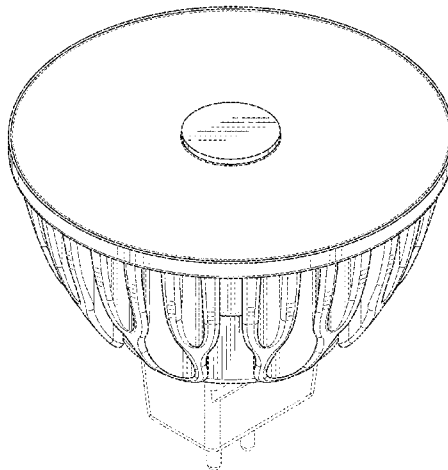
(57) **CLAIM**

The ornamental design for LED lamp, as shown and described.

**DESCRIPTION**

FIG. 1 is a perspective view of the LED lamp showing our new design;  
FIG. 2 is an alternative perspective view thereof;  
FIG. 3 is a top plan view thereof;  
FIG. 4 is a bottom plan view thereof;  
FIG. 5 is a front elevational view thereof;  
FIG. 6 is a rear elevational view thereof;  
FIG. 7 is a left side elevational view thereof; and,  
FIG. 8 is a right side elevational view thereof.  
The broken line showing of the LED lamp is for the purpose of illustrating environmental structure and forms no part of the claimed design.

**1 Claim, 8 Drawing Sheets**



(56)

References Cited

U.S. PATENT DOCUMENTS

7,388,751 B2 \* 6/2008 Hood et al. .... 361/704  
 7,431,071 B2 \* 10/2008 Wenger ..... 165/47  
 7,753,107 B2 \* 7/2010 Zhou et al. .... 165/80.3  
 8,049,122 B2 \* 11/2011 Watford ..... 200/302.2  
 D652,564 S \* 1/2012 Maxik ..... D26/118  
 D662,899 S \* 7/2012 Shum et al. .... D13/179  
 D662,900 S \* 7/2012 Shum et al. .... D13/179  
 8,227,962 B1 7/2012 Su  
 8,272,762 B2 9/2012 Maxik et al.  
 D674,960 S \* 1/2013 Chen et al. .... D26/113  
 8,405,947 B1 3/2013 Green et al.  
 8,414,151 B2 4/2013 Allen et al.  
 8,525,396 B2 9/2013 Shum et al.  
 D694,722 S \* 12/2013 Shum et al. .... D13/179  
 2003/0039122 A1 2/2003 Cao  
 2003/0183835 A1 \* 10/2003 Moku et al. .... 257/99  
 2004/0264195 A1 12/2004 Chang et al.  
 2005/0122690 A1 \* 6/2005 Hood et al. .... 361/709  
 2005/0214992 A1 9/2005 Chakraborty et al.  
 2006/0028310 A1 \* 2/2006 Asano et al. .... 335/220  
 2006/0175045 A1 \* 8/2006 Chen ..... 165/104.33  
 2007/0007898 A1 1/2007 Bruning  
 2007/0284564 A1 12/2007 Biwa et al.  
 2008/0049399 A1 2/2008 Lu et al.  
 2008/0080137 A1 4/2008 Otsuki et al.  
 2008/0142781 A1 6/2008 Lee  
 2008/0164489 A1 7/2008 Schmidt et al.  
 2008/0266866 A1 10/2008 Tsai  
 2009/0161356 A1 6/2009 Negley et al.  
 2009/0194252 A1 \* 8/2009 Lee et al. .... 165/67  
 2009/0195186 A1 8/2009 Guest et al.

2009/0244899 A1 10/2009 Chyn  
 2010/0207502 A1 8/2010 Cao et al.  
 2010/0264799 A1 10/2010 Liu et al.  
 2011/0018418 A1 \* 1/2011 Yoo ..... 313/46  
 2011/0095686 A1 4/2011 Falicoff et al.  
 2011/0169406 A1 7/2011 Weekamp et al.  
 2011/0175510 A1 7/2011 Rains, Jr. et al.  
 2011/0242823 A1 10/2011 Tracy et al.  
 2012/0161626 A1 6/2012 van de Ven et al.  
 2013/0322089 A1 \* 12/2013 Martis et al. .... 362/311.02  
 2013/0343062 A1 \* 12/2013 Shum et al. .... 362/311.02  
 2014/0091697 A1 \* 4/2014 Shum ..... 313/46  
 2014/0175966 A1 \* 6/2014 Tan ..... 313/46

OTHER PUBLICATIONS

CFL Ballast IC Drive LED', www.placardshop.com, Blog, May 22, 2012, 3 pgs.  
 Rausch, 'Use a CFL ballast to drive LEDs', EDN Network, 2007, pp. 1-2.  
 USPTO Office Action for U.S. Appl. No. 12/785,953 dated Jan. 11, 2013, 15 pages.  
 USPTO Notice of Allowance for U.S. Appl. No. 13/025,791 dated Jun. 17, 2013, 8 pages.  
 USPTO Office Action for U.S. Appl. No. 13/025,833 dated Apr. 26, 2013, 23 pages.  
 USPTO Notice of Allowance for U.S. Appl. No. 13/025,849 dated Sep. 16, 2013, 10 pages.  
 USPTO Office Action for U.S. Appl. No. 13/274,489 dated Sep. 6, 2013, 13 pages.  
 USPTO Office Action for U.S. Appl. No. 13/535,142 dated Aug. 1, 2013, 14 pages.

\* cited by examiner

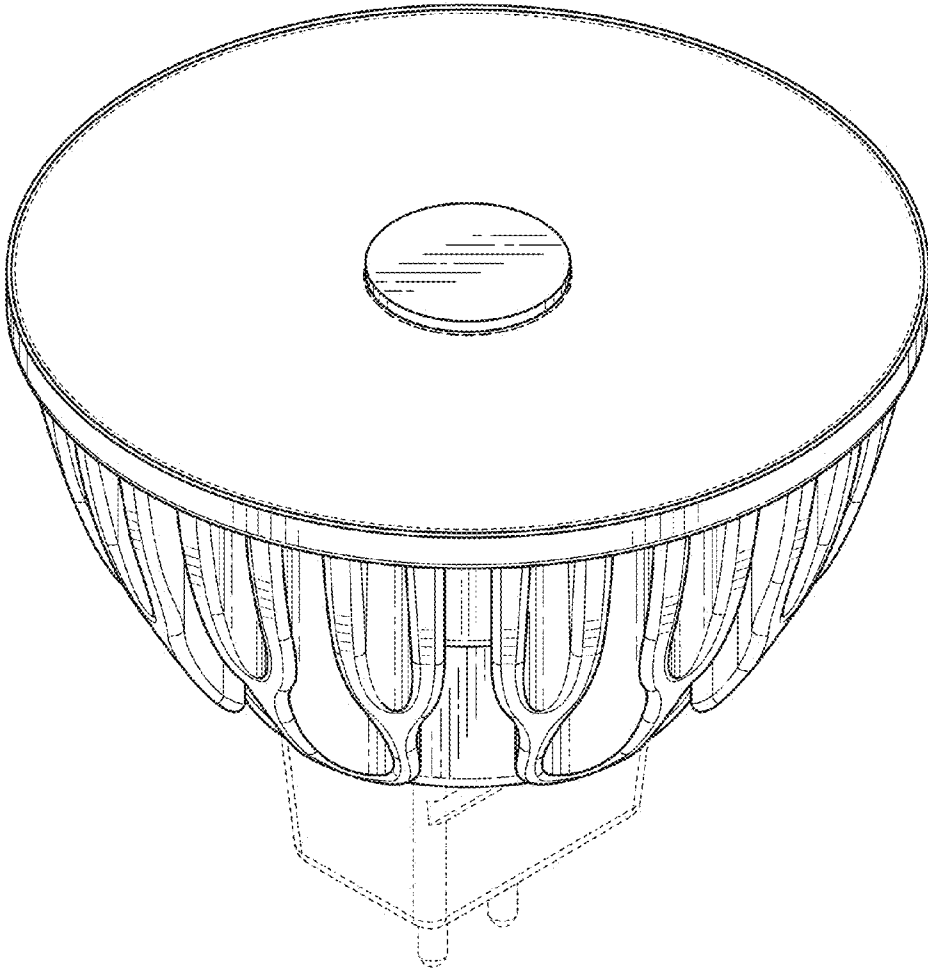


FIG. 1

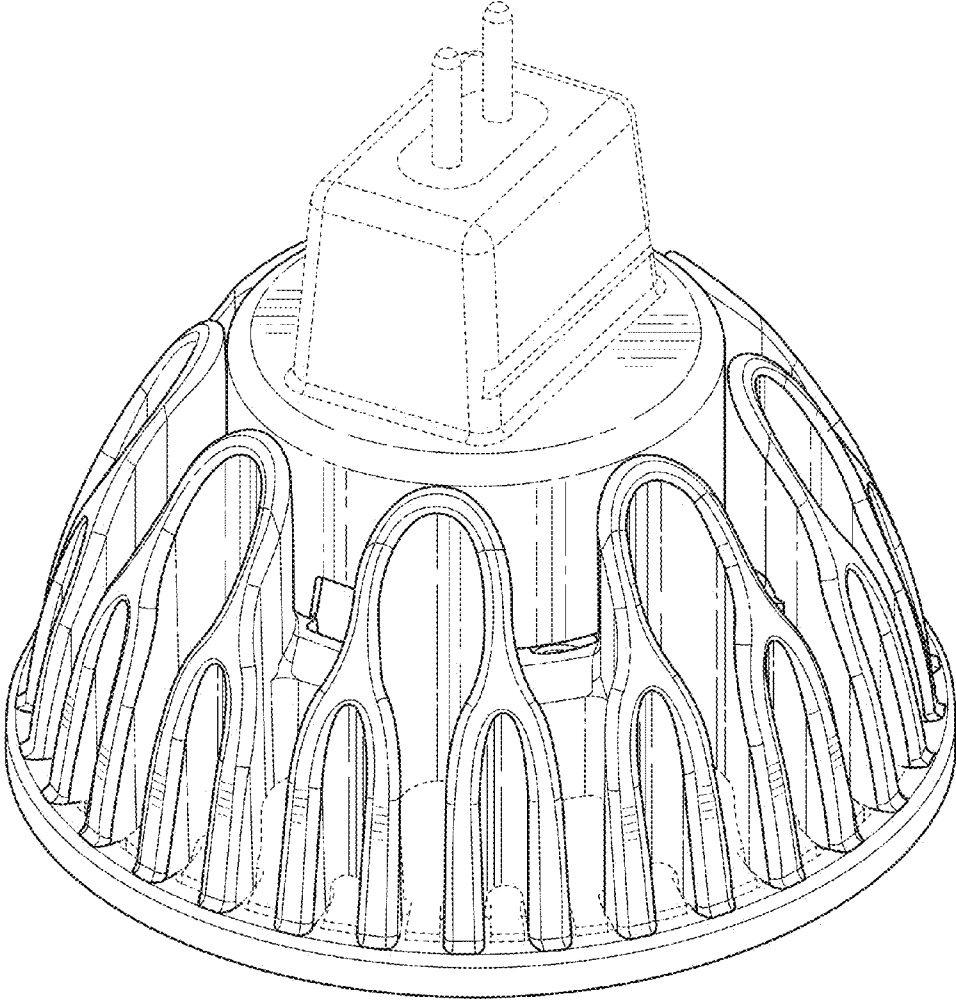


FIG. 2

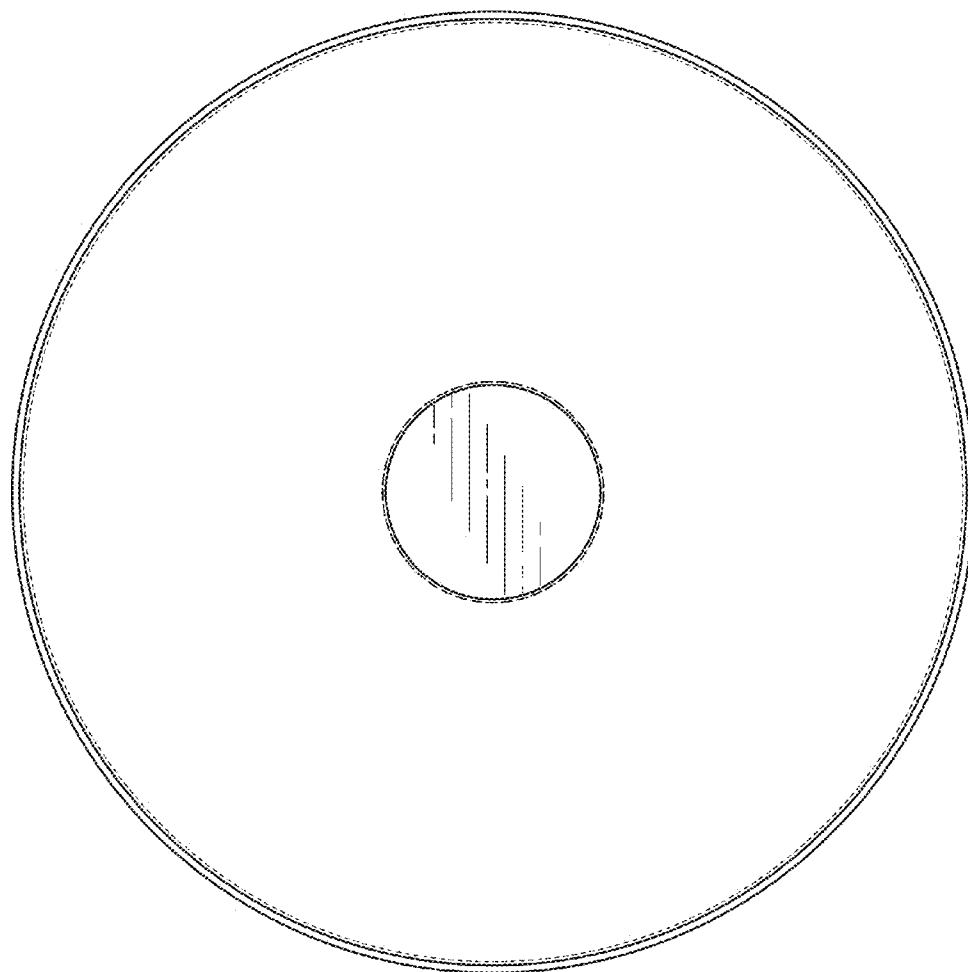


FIG. 3

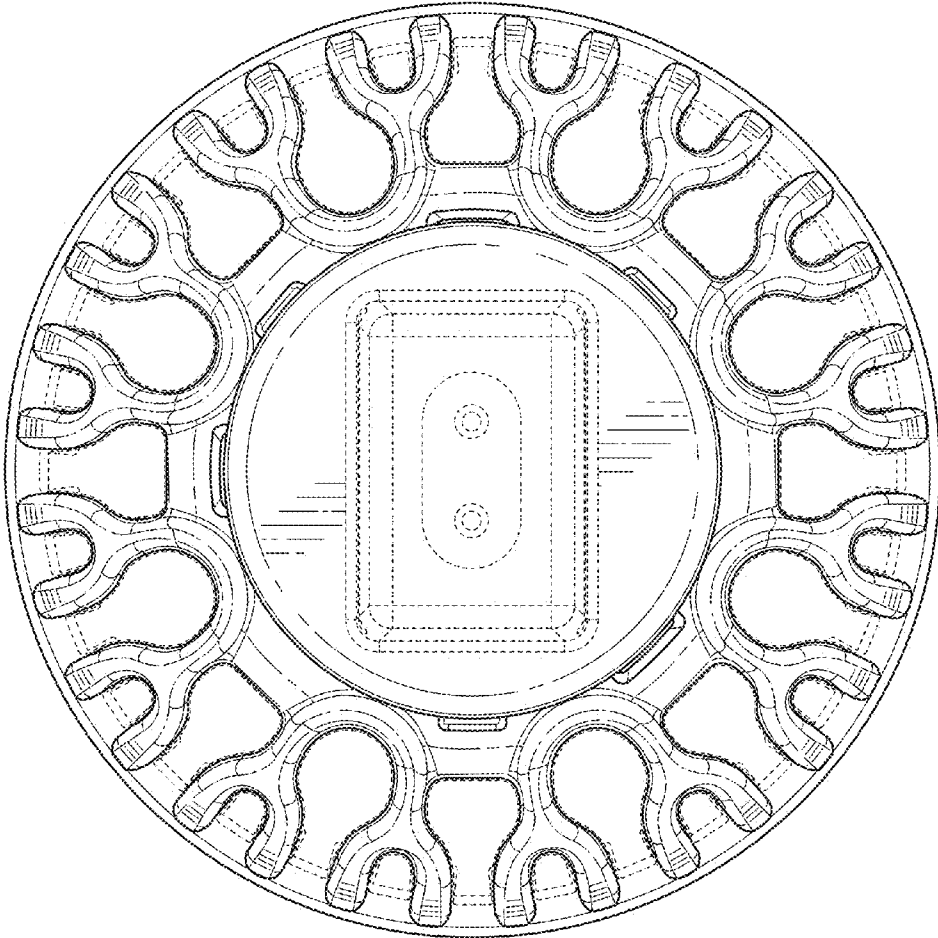


FIG. 4

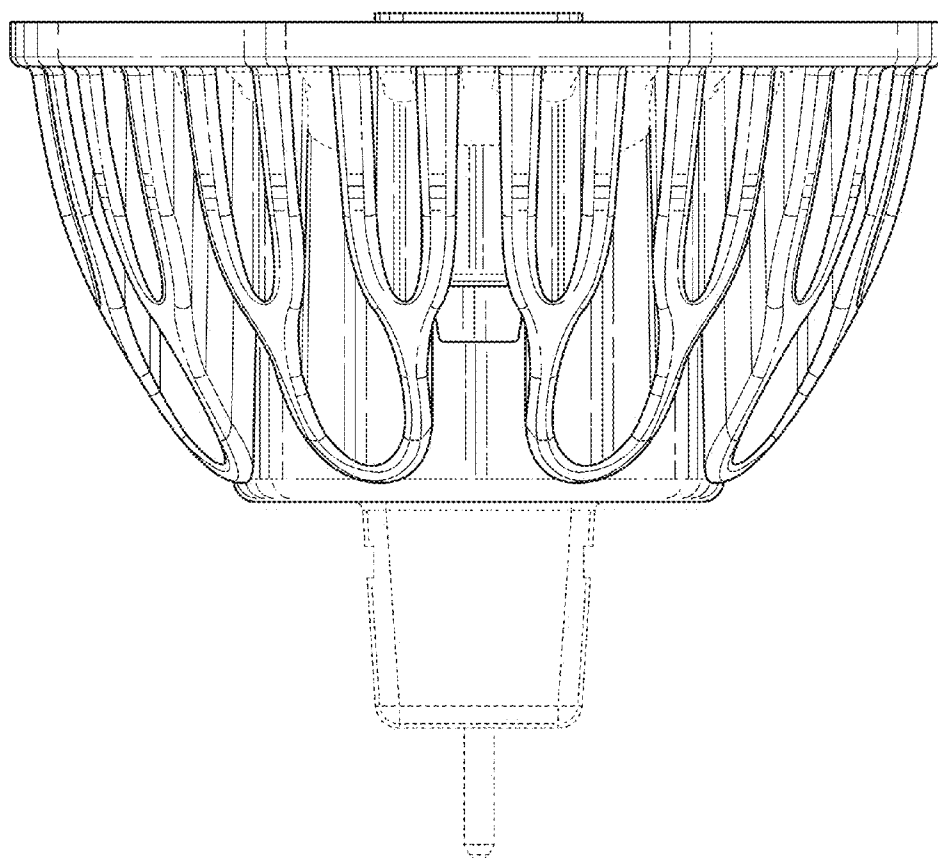


FIG. 5

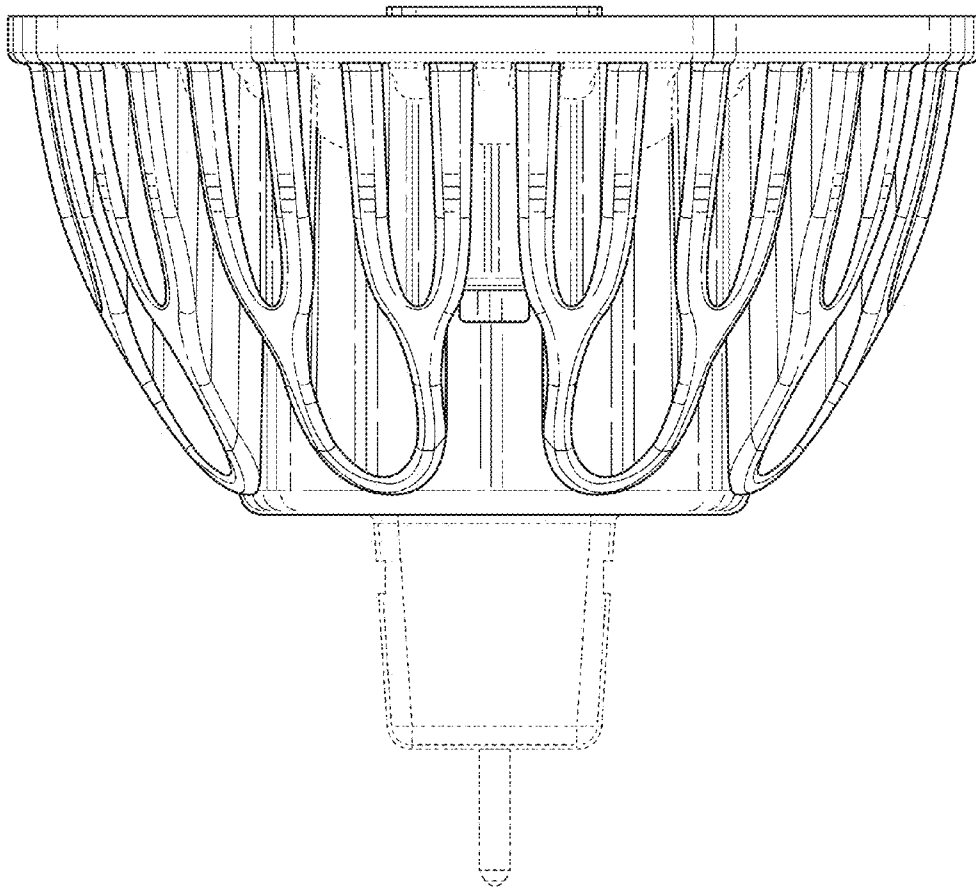


FIG. 6



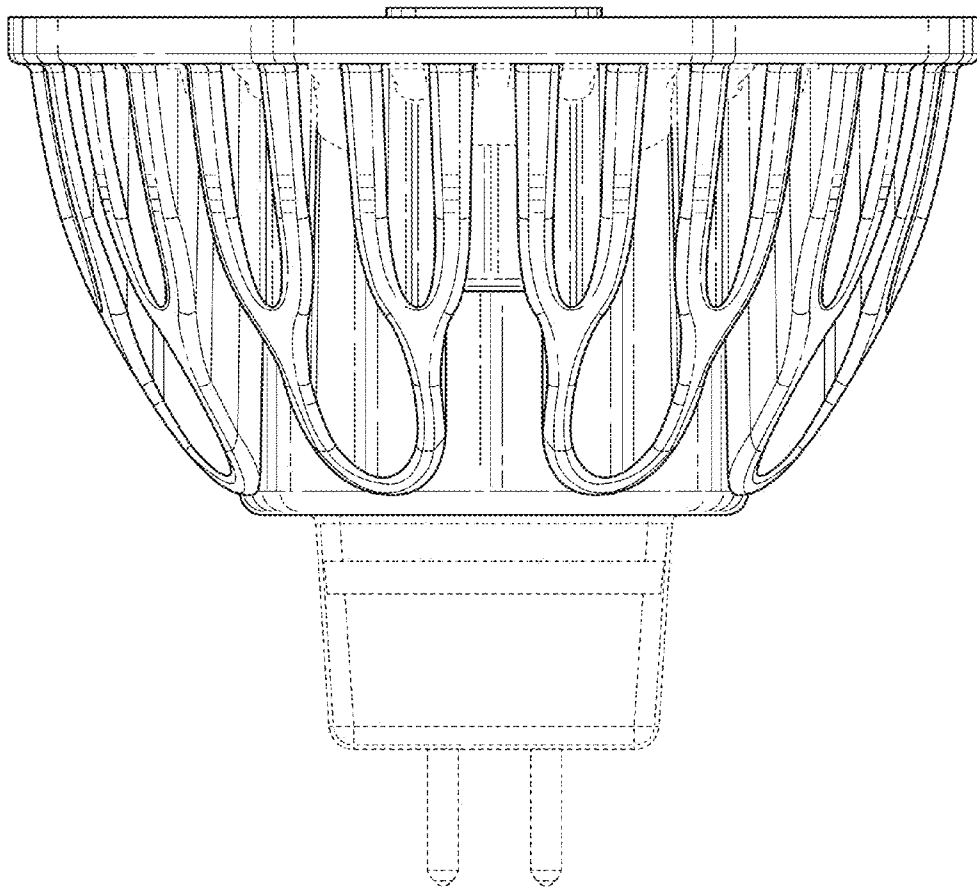


FIG. 7

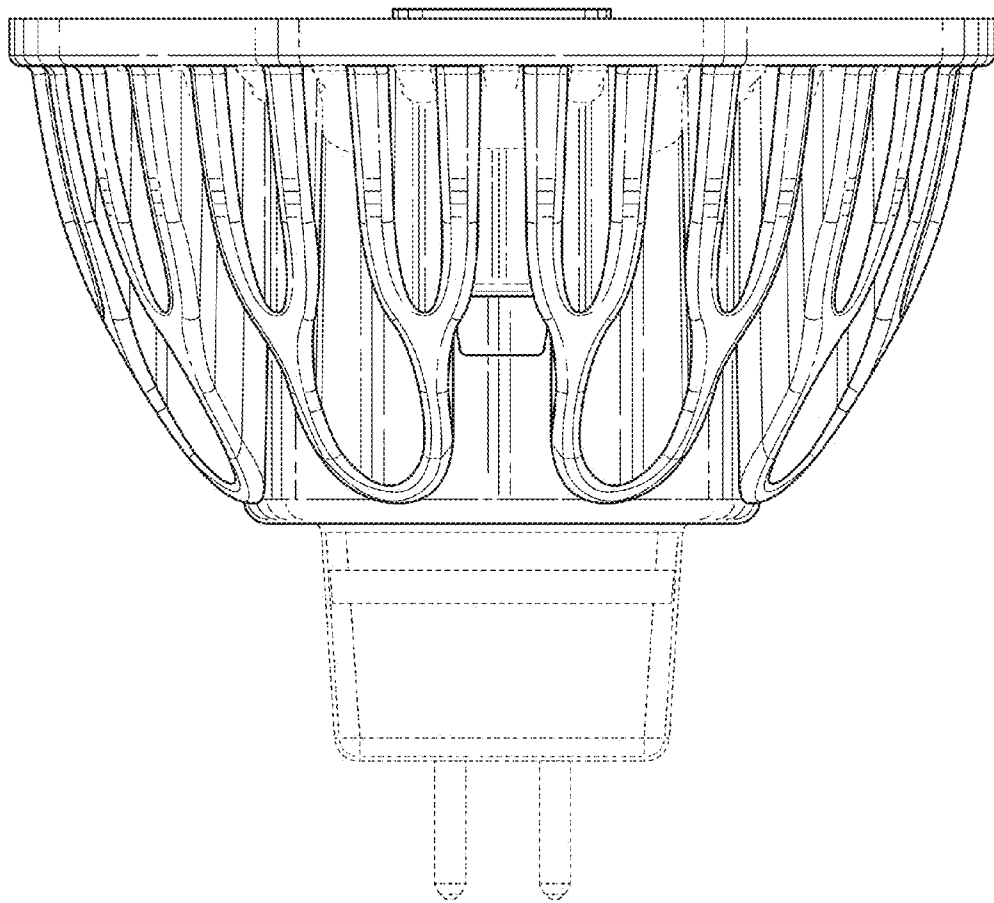


FIG. 8