

(19) AUSTRALIAN PATENT OFFICE

- (54) Title
Arrangement for implants bearing growth-stimulating substance or substances, and one such implant
- (51)⁶ International Patent Classification(s)
A61C 8/00 (2006.01) 27/00
A61L 27/00 (2006.01) 20060101ALI2006031
A61L 27/22 (2006.01) 08BMJP **A61L**
A61C 8/00 27/22
20060101AFI2005100 20060101ALI2005100
08BMJP **A61L** 08BMJP
PCT/SE2003/001108
- (21) Application No: 2003237749 (22) Application Date: 2003.06.26
- (87) WIPO No: W004/010889
- (30) Priority Data
- | | | |
|-------------|------------|--------------|
| (31) Number | (32) Date | (33) Country |
| 0202317-4 | 2002.07.25 | SE |
- (43) Publication Date : 2004.02.16
(43) Publication Journal Date : 2004.03.25
- (71) Applicant(s)
Nobel Biocare AB (publ)
- (72) Inventor(s)
Hall, Jan
- (74) Agent/Attorney
Watermark Patent & Trademark Attorneys, Level 2 302 Burwood Road, Hawthorn, VIC, 3122
- (56) Related Art
WO 2000/072775
WO 2000/072777
WO 2000/072776

(19) World Intellectual Property
Organization
International Bureau



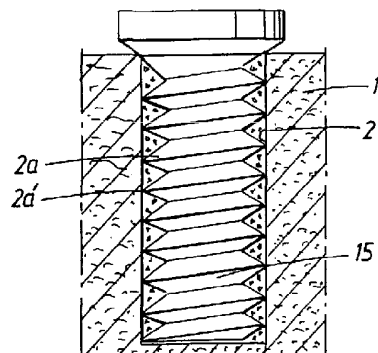
(43) International Publication Date
5 February 2004 (05.02.2004)

PCT

(10) International Publication Number
WO 2004/010889 A1

- (51) International Patent Classification⁷: A61C 8/00, A61I 27/54
- (21) International Application Number: PCT/SE2003/001108
- (22) International Filing Date: 26 June 2003 (26.06.2003)
- (25) Filing Language: Swedish
- (26) Publication Language: English
- (30) Priority Data: 0202317-4 25 July 2002 (25.07.2002) SE
- (71) Applicant (for all designated States except US): NOBEL BIOCARE AB (publ) [SE/SE]; Box 5190, S-402 26 Göteborg (SE).
- (72) Inventor; and
- (75) Inventor/Applicant (for US only): HALL, Jan [SE/SE]; Ståbbegatan 2A, S-416 80 Göteborg (SE).
- (74) Agent: OLSSON, Gunnar; Nobel Biocare AB (publ), Box 5190, S-402 26 Göteborg (SE).
- (81) Designated States (national): AL, AG, AI, AM, AT, AU, AZ, BA, BB, BG, BR, BY, BZ, CA, CH, CN, CO, CR, CU, CZ, DE, DK, DM, DZ, EC, EE, ES, FI, GB, GD, GE, GH, GM, HR, HU, ID, IL, IN, IS, JP, KE, KG, KP, KR, KZ, LC, LK, LR, LS, LT, LU, LV, MA, MD, MG, MK, MN, MW, MX, MZ, NO, NZ, OM, PH, PL, PT, RO, RU, SC, SD, SE, SG, SK, SL, TJ, TM, TN, TR, TT, TZ, UA, UG, US, UZ, VC, VN, YU, ZA, ZM, ZW.
- (84) Designated States (regional): ARIPO patent (GH, GM, KE, LS, MW, MZ, SD, SL, SZ, TZ, UG, ZM, ZW), Eurasian patent (AM, AZ, BY, KG, KZ, MD, RU, TJ, TM), European patent (AT, BE, BG, CH, CY, CZ, DE, DK, EE, ES, FI, FR, GB, GR, HU, IE, IT, LU, MC, NL, PT, RO, SE, SI, SK, TR), OAPI patent (BF, BJ, CF, CG, CI, CM, GA, GN, GQ, GW, ML, MR, NE, SN, TD, TG).
- Published:
— with international search report
- For two-letter codes and other abbreviations, refer to the "Guidance Notes on Codes and Abbreviations" appearing at the beginning of each regular issue of the PCT Gazette.

(54) Title: ARRANGEMENT FOR IMPLANTS BEARING GROWTH-STIMULATING SUBSTANCE OR SUBSTANCES, AND ONE SUCH IMPLANT



(57) Abstract: An implant bears growth-stimulating substance(s), here called GSS, which can be released when the implant is arranged in a jaw bone hole. The release takes place in interaction with secreted, cell-containing body fluid so as to form new bone alongside the implant. The implant is arranged with an outer surface which can comprise the outer parts of a thread or can consist of bearing surfaces parallel to the inner wall of the jaw bone hole. First portions of the outer surface have first diameters or radii, and second portions have second diameters or radii smaller than the first diameters or radii. The implant bears against or cooperates with the hole wall via the first portions and, by means of the second portions and together with the hole wall, forms one or more closed spaces into which body fluid can penetrate and GSS can be released. The implant can alternatively be designed with a shape or shapes substantially corresponding to the tooth root configuration(s). The new bone formation is made effective in this way, and great stability can be obtained for the implant in its position in the jaw bone.

WO 2004/010889 A1

Arrangement for implants bearing growth-stimulating substance or substances, and one such implant.

The present invention relates to an arrangement for
5 implants bearing growth-stimulating substance or
substances, here called GSS, which, when the implant is
in its position fitted in a jaw bone, is arranged to
interact with cell-containing body fluid secreted at
the jaw bone and thus form new bone alongside the
10 implant.

The invention also relates to an implant which can be
fitted in a jaw bone hole created by hole formation or
tooth root extraction.

15 In connection with implants fitted in jaw bone holes,
it is already known to use GSS in combination with
calcium phosphates, autologous bone, allogenic bone,
etc., for bone formation purposes. The bone formation
20 is used to increase the stability of the implant in the
jaw bone. Depending on the jaw bone status and the
implant position, it is possible to use different
types, amounts and concentrations of substances and
materials of said type. It is known, inter alia, to use
25 GSS, for example, in conjunction with implants of the
self-tapping type or implants with a thread intended to
be screwed into a thread formed in the jaw bone.

In this connection, reference may be made to patent
30 applications SE 9901972-1 and SE 9901973-9 submitted by
the same Applicant and with the same inventor as in the
present application.

Reference may also be made to the article published by,
35 inter alia, the inventor of the present patent
application and entitled "Properties of a New Porous
Oxide Surface on Titanium Implants, Volume 1: The
Oxidized Titanium Surface, Applied Osseointegration
Research".

The present invention is based on the recognition that new bone formation is at its most effective in arrangements where space can be created for secreted body fluid and released GSS. The present invention preferably addresses this
5 problem among others, and the invention proposes, inter alia, that threaded implants known per se will be able to be used for creating an effective process of new bone formation alongside the implant.

10 There is also a need to make available methods and arrangements which permit extended possibilities of implant positioning, giving improved results from the point of view of appearance and/or stability. There is also a need for implants of new designs which can be fitted by a new method, for example a method in which they are pressed in manually. These new methods and implants are especially desirable when a hole has been formed by tooth root extraction,
15 possibly in combination with subsequent finishing of the jaw hole.

According to one aspect of the present invention there is provided an arrangement for implants bearing growth- stimulating substance or substances, here called GSS, which, when the implant is in its position fitted in a jaw bone
20 hole, is arranged to interact with cell-containing body fluid, for example fluid containing stem cells, secreted at the jaw bone and thus form new bone alongside the implant, wherein the implant is arranged with an outer surface which can be placed against a wall of the jaw bone hole and which is arranged with first portions of first diameters or radii and second portions of second
25 diameters or radii smaller than the first diameters and radii, and in that the implant bears against or cooperates with the hole wall via the first portions and, by means of the second portions and together with the hole wall, forms one or more closed spaces into which body fluid can penetrate and GSS can be released.

30

In further developments of the invention, it is proposed that the outer surface that can be placed against the wall of the jaw bone hole will be provided with one or more threads or thread sections and that the first portions comprise the thread crests or thread outer parts of the threads or thread sections. The

5 second portions can in this case comprise the bottom parts or inner parts of the threads, and said closed spaces are thus situated between the thread crests or thread outer parts. Each thread can extend along all or most of the circumference of the implant. The outer surface or the thread or threads can be provided with porous layers, by means of which GSS can be stored on the implant. The implant

10 can thus bear most (the greater concentration) of the GSS at said closed spaces and the implant can be grafted with GSS, which can give a skin with a thickness of a few nanometers. In general, the thickness can be chosen at from a few Angström to a few micrometers. The first portions can be arranged to cooperate with the hole wall which affords initial positional stability for the implant in the jaw

15 bone. Thus, the first portions can have a degree of penetration into the jaw bone in the range of 5-20% of the height of the first portions above the second portions. The outer threads or outer parts can thus be arranged with a thread depth which on the one hand affords a screwing-in function in the hole wall in the jaw bone and on the other hand provides for formation of said closed space. In an

20 alternative embodiment, the implant is designed with longitudinal and/or transverse recesses which are charged or provided with GSS in possible cooperation with material or substitute of the aforementioned type.

In a preferred embodiment, the implant is designed to extend or branch

25 substantially like the tooth root of the tooth. At its inner parts, the implant can be curved in relation to the main longitudinal extent of the implant. The implant can be designed with two or three parts arranged, for example curved, in relation to the main direction. One or more spaces can be present between the inner parts of the implant and the wall(s) of the hole, in which space or spaces said

30 interaction is intended to take place. At its inner branching parts, the implant bears growth-stimulating substance(s) on the outer surfaces of the branches. The implant can be fitted in the jaw bone hole by means of a downwardly or inwardly directed pressing force applied to the implant, preferably of a manual nature, and

the outer surface(s) of each branch at the implant's inner parts can be provided with a surface roughness or porous oxide layer, by means of which GSS can be applied in layers of identical or varying concentration.

5 According to a still further aspect of the present invention there is provided a method for delivering an implant and growth stimulating substance (GSS) into a hole of a recipient's bone including: providing an implant including: at least one outer surface having a first cross-section diameter configured to be at least approximately equal to the cross-section diameter configured to be smaller than
10 both the cross-section diameter of the hole and said first cross-section diameter; and at least one GSS disposed on the implant; forming a hole in the bone of the recipient, wherein the recipient's body will secrete cell-containing fluids into the formed hole; inserting the implant in the hole; defining a space by said outer surface, said inner surface and the recipient's bone; and allowing interaction
15 between the secreted fluids and the GSS.

By means of what has been proposed above, an implant is obtained which, through the use of GSS, possibly in combination with substitute material of said type, gives an improved new bone growth, at the same time with possible use of
20 implants known per se and techniques for application of GSS, which for example can be stored on the implant in porous outer oxide layers. By means of the proposed arrangement, relatively large amounts and concentrations of GSS can be applied to the implant, for example to its outer surface. A new technique of fitting the implant in the jaw bone hole is made possible. The implant is quite
25 simply pressed manually into the hole and the GSS used in the arrangement of spaces allows the implant to be maintained and anchored in the jaw bone. GSS can also be applied to the outer surface in the form of a gel to which GSS has been added. GSS may if appropriate be mixed with calcium phosphate(s), autologous bone, allogenic bone, xenografts, etc.

30 Comprises/comprising and grammatical variations thereof when used in this specification are to be taken to specify the presence of stated features, integers, steps or components or groups thereof, but do not preclude the

2003237749 31 Oct 2008

presence or addition of one or more other features, integers, steps, components or groups thereof.

5 A presently proposed embodiment of an arrangement having the features characteristic of the invention will be described below with reference to the attached drawing, in which Figure 1 shows, in vertical section, an implant fitted in a jaw bone hole and provided with an outer thread, Figure 2 shows, in a vertical view and enlarged in relation to Figure 1, the cooperation of the outer thread with the wall of the jaw bone hole, and grafting-on of GSS in combination with material or substitute of other types, Figure 3 shows, in a vertical view and again enlarged, 10 an application, differing from Figure 2, of a skin of GSS in a space created by inner parts of an implant thread and the hole wall in the jaw bone, Figure 4 shows, in a vertical view, a configuration of the implant's outer surface different than the thread form, and the way in which this configuration

15

20

25

- 6 -

bears on and cooperates with the wall in the jaw bone hole,

5 Figure 5 shows, in a vertical view, an alternative embodiment with recesses extending along the height of the implant, and

10 Figures 6-9 show tooth and implant configurations in vertical views, and, in block diagram form, the production of an implant.

15 In Figure 1, a jaw bone is symbolized by 1. The jaw bone is provided with a jaw bone hole 2 created in a manner known per se with a drill. The implant can be designed in a manner known per se with an outer thread 2a. The implant can also be treated so that a porous oxide layer is present on the outsides of the threads. Said oxide layer can provide a storage function for 20 GSS, and the latter can consist of matrix molecules, growth factors and differentiation factors and/or peptides with growth-stimulating properties. The thread crests 2a' can be placed against the inner wall of the jaw bone hole 2.

25 Figure 2 shows, on an enlarged scale in relation to Figure 1, two thread crests 3 and 4 of the implant. The implant can thus be regarded as comprising first portions with a diameter D and second portions with a 30 second diameter D', the diameter D exceeding the diameter D' by a value which corresponds to two thread depths...A. In the illustrative embodiment shown, the thread crests at 3, 4 penetrate slightly into the jaw bone 1, the depth of penetration being indicated by B. 35 The depth of penetration can in this case be of an order which means that the implant is afforded a certain initial stability in its position fitted in the hole 2. The depth of penetration B can be in the range

- 7 -

of 5-20% of the thread depth A. In the arrangement shown in Figure 2, a space 5 is thus obtained between each thread pair. The implant is provided with GSS which can be arranged with different concentrations, symbolized by broken lines 6, 7 and 8 on one another. Body fluid 9 containing cells, for example containing stem cells, penetrates into the space 5, and said GSS is released, together with any other substitute or material, so as to effect an interaction and thus form new bone in the space 5. The direction of penetration of the body fluid is symbolized by 10 in Figure 2, and the directions of release of GSS and possible substitutes or materials are symbolized by arrows 11, 12, 13. The concentrations or amounts 6, 7, 8 can in this case be arranged so that they decrease toward the crests 3, 4 and increase rearward into the space.

Figure 3 shows an embodiment with only GSS, and where the application of GSS is distributed along the extent of the thread parts. In Figure 3, the components corresponding to Figure 2 are indicated with the same reference numbers, with addition of prime markers. In the present case, the radii R and R' have been indicated in Figure 3 instead of the diameters D and D'.

Figure 4 shows an alternative embodiment in which the threads have been replaced by portions 3'', 3''' which, with circular straight surfaces, bear against the wall of the hole 2''. In this case, recesses 5'' and 5''' have been formed extending in the circumferential direction. The design of the recesses can be varied and, for example can have internal sphere or arc shapes. Examples of rectangular and square vertical sections for the recesses 5'' and 5''' have been shown in the figure. In the recesses, the skin/layer/concentration or amount of GSS are indicated by 6'' and 6'''. In this case too, GSS may possibly be

combined with substitute or material, in accordance with the above. The portions of greater diameter d or greater radius r are shown together with second portions d' and r' , respectively.

5

In Figures 2, 3 and 4, the implant has the reference numbers 14, 14' and 14''. In Figure 1, the implant has the reference number 15. In Figure 5, the implant 14'' is provided with grooves 16 which extend in the height direction and which can be arranged in parallel along the whole circumference of the implant 14'. In an alternative embodiment, the grooves 16 are helical or configured with a zigzag pattern for example. The diameters of the first portions are indicated by d'' , and the diameters of the second portions are indicated by d''' . In Figures 2, 3 and 4, rear portions have been indicated by 3a, 4a; 3a', 4a'; and 3a'', 4a''. Each thread can extend about the whole or most of the periphery or circumference of the implant. In Figures 4 and 5, reference numbers 17, 18, 19 and 20 indicate surface portions parallel to the hole wall placed against the implants by clamp fitting. At least at the portions 17, 18, 19, 20, the implant is designed with a surface roughness or porous layers which can bear GSS of identical or different concentrations and amounts.

10
15
20
25

In Figure 6, a jaw bone is indicated diagrammatically by 21. A tooth in the jaw bone is indicated by 22 and the tooth is in this case of the type which has two root parts 22a and 22b. The tooth extends in the jaw bone hole 23 which is shown with an overdimensioned gap for reasons of clarity. ~~The tooth can be extracted from the jaw bone in the direction of arrow 24.~~

30

Figure 6a shows alternative configurations of the root parts 22a' and 22b'.

35

Figure 7 shows the lower parts of a tooth 25 provided with three root parts 26, 27 and 28. The jaw bone is in this case indicated by 21'. The tooth 25 in question can be extracted from the jaw bone in the direction of arrow 30. The hole 23 in the jaw bone for this tooth is shown with an overdimensioned gap for reasons of clarity.

Upon extraction of the tooth 22 according to Figure 6 together with the root and all, the jaw bone hole 23 acquires a shape corresponding to that of the tooth. In accordance with Figure 8, an appliance 31 is used to define or image the jaw bone hole 23 in Figure 6 when the tooth 22 has been extracted. An imaging technique known per se can be used, for example X-ray, computed tomography, etc. With the appliance 31, the surgeon, the dentist or other person performing treatment is given an image of the shape of the jaw bone hole 23. The shape is assigned a representation in an appliance 32 which can be part of a computer installation known per se. The representation is symbolized by 33 and can be used as a basis for production of an implant 34 which is intended to be placed in the jaw bone hole 23 in question (see Figure 6). The fitting operation can be carried out in such a way that the implant can be applied with relatively little clearance in the jaw bone hole. The implant 34 can have a design which, upon application of the implant in the jaw bone hole, means that the hole wall springs aside and then back to a position corresponding to the position of the tooth 22 in Figure 6. Alternatively, the implant can be made to some extent resilient in those parts which upon application are intended to match narrowing parts in the jaw bone hole. The inner parts of the tooth root can also extend in such a way that they together have cross-sectional areas which are smaller than the cross-sectional area or cross-sectional areas of above parts of the jaw bone hole. The implant 34 in question can be

- 10 -

produced using production equipment 35 of the PROCERA type. The implant can be milled, cast, or produced in some other way. The implant can be made of titanium, ceramic, etc. The implant can be given an optimum
5 geometric configuration so that the load on the implant is correctly distributed.

It also lies within the possibilities of the invention that the line of the jaw bone hole can be acted upon
10 using tools, for example drilling tools, so that wider parts situated at the bottom can easily match passages in the hole which have been narrower from the start. In Figure 6, such working is indicated by 36. The space
15 initiated in this way by the recessing or working 36 around the fitted implant can be used as a closed space for new bone formation in accordance with what has been described above. Such working of jaw bone holes can be carried out in different ways from case to case.

20 In Figure 7, the spaces 37 and 38 have been formed at the lower parts of the tooth root. In accordance with the above, these spaces 37 and 38 can be used as closed spaces for new bone formation. It will be appreciated that in cases where there is no resiliency function in
25 the jaw bone or implant, said working can allow the tooth roots belonging to the tooth in question to be simulated to a very high degree when producing the implant in question, i.e. the implant 34 in Figure 8. The root formation according to Figure 7 can also be
30 completed in a relatively simple manner with working(s) 39, 39' permitting application of an implant with a configuration which corresponds to the design of the tooth root arrangement according to Figure 7. The spaces 39, 39' are also used as closed spaces for new
35 bone formation.

- 11 -

In Figure 6a, a closed space 37' for new bone formation is arranged, in accordance with the above, between the original sites of the tooth roots.

- 5 Figure 9 shows that each implant, for example the implant 34, can be provided with surface roughness(es) or porous outer layer(s) 40 for storing GSS 41 of the same amount and/or different concentrations. The surface roughnesses/porosities are arranged at least at
10 the implant's branches 22a, 22b and 26, 27, 28.

Reference may be made here to patent applications submitted to the Swedish patent office on the same day as the present patent application and by the same
15 Applicant and inventor. Said applications have the following titles:

- a) "Arrangement for using osteoinductive or bioactive material to induce bone and/or increase the
20 stability of implants in the jaw bone, and an implant intended for this purpose".
- b) "Arrangement for using bioactive or osteoinductive material to build up a bone-based lateral support
25 for implants in the jaw bone".
- c) "Arrangement of two or more implants provided with growth-stimulating substance(s)".
- 30 d) "Arrangement for increasing the stress resistance of implants, and one such implant"

THE CLAIMS DEFINING THE INVENTION ARE AS FOLLOWS:

1. An arrangement for implants bearing growth- stimulating substance or substances, here called GSS, which, when the implant is in its position fitted in a jaw bone hole, is arranged to interact with cell-containing body fluid, for example
5 fluid containing stem cells, secreted at the jaw bone and thus form new bone alongside the implant, wherein the implant is arranged with an outer surface which can be placed against a wall of the jaw bone hole and which is arranged with first portions of first diameters or radii and second portions of second diameters or radii smaller than the first diameters and radii, and in that the implant
10 bears against or cooperates with the hole wall via the first portions and, by means of the second portions and together with the hole wall, forms one or more closed spaces into which body fluid can penetrate and GSS can be released.

2. The arrangement as claimed in claim 1, wherein the outer surface that can be placed against the wall of the jaw bone hole is provided with one or more
15 threads or thread sections and in that the first portions include the thread crests or thread outer parts of the threads or thread sections, the second portions include the bottom parts or inner parts of the threads, and said closed spaces are situated between the thread crests or thread outer parts.

3. The arrangement as claimed in claim 2, wherein each thread extends
20 along all or most of the circumference of the implant.

4. The arrangement as claimed in claim 1, 2 or 3, wherein the outer surface or the thread or threads is/are provided with porous oxide layers, by means of which GSS can be stored on the implant.

5. The arrangement as claimed in any of claims 1-4, wherein the implant
25 bears most of the total quantity of the GSS at said closed spaces.

6. The arrangement as claimed in any of claims 1-5, wherein, when the implant is in its position fitted in the jaw bone hole, the first portions are arranged

with a degree of cooperation with the hole wall which affords an initial positional stability for the implant in the jaw bone.

7. The arrangement as claimed in claim 6, wherein the first portions have a degree of penetration into the jaw bone in the range of 5-20% of the height of the first portions above the second portions.

8. The arrangement as claimed in any of the preceding claims, wherein the outer thread(s) or outer pasts have a thread depth which on the one hand affords a screwing-in function in the hole wall in the jaw bone and on the other hand provides for formation of said closed spaces.

9. The arrangement as claimed in any of the preceding claims, wherein the implant has longitudinal and/or transverse recesses which are charged or provided with GSS of identical or different concentrations in possible cooperation with calcium phosphate(s), autologous bone, allogenic bone, xenografts, polymer material, etc.

10. A method for delivering an implant and growth stimulating substance (GSS) into a hole of a recipient's bone including: providing an implant including: at least one outer surface having a first cross-section diameter configured to be at least approximately equal to the cross-section diameter configured to be smaller than both the cross-section diameter of the hole and said first cross-section diameter; and at least one GSS disposed on the implant; forming a hole in the bone of the recipient, wherein the recipient's body will secrete cell-containing fluids into the formed hole; inserting the implant in the hole; defining a space by said outer surface, said inner surface and the recipient's bone; and allowing interaction between the secreted fluids and the GSS.

11. The method of claim 10, wherein said inserting the implant includes applying a pressing force on the implant.

2003237749 31 Oct 2008

14

12. The method of claim 10 or 11, wherein said inserting the implant further includes penetrating the bone by approximately 5-20% of said first cross-section diameter thereby providing an initial positional stability.
13. The method of any one of claims 10-12, wherein said forming a hole
5 includes drilling the bone of the recipient.
14. An arrangement according to claim 1, or a method according to claim 10, and substantially as herein described with reference to the accompanying drawings.

NOBEL BIOCARE AB (PUBL)

WATERMARK PATENT & TRADE MARK ATTORNEYS

P25070AU00

1/3

Fig. 1

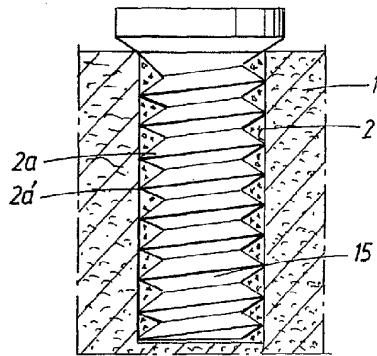


Fig. 2

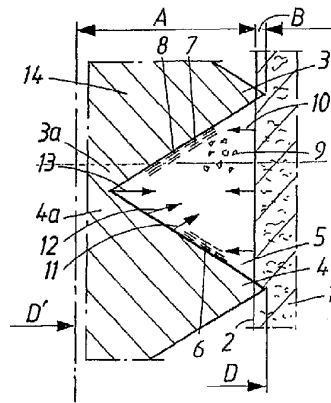


Fig. 3

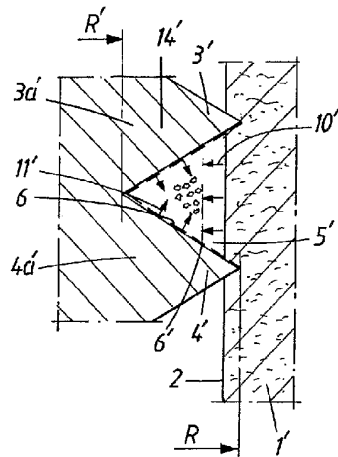


Fig. 4

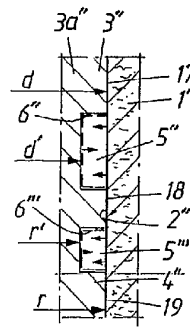


Fig. 5

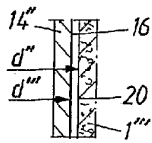


Fig. 6

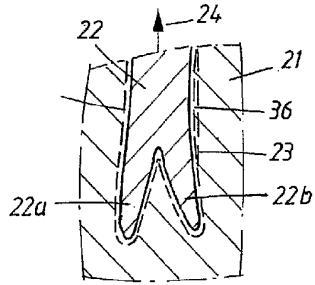


Fig. 6a

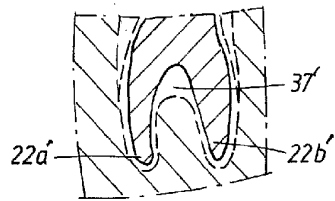


Fig. 7

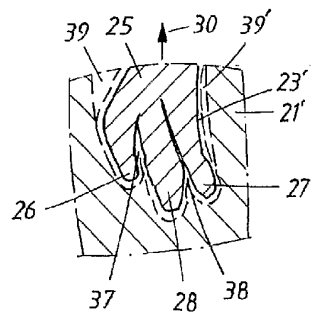


Fig. 8

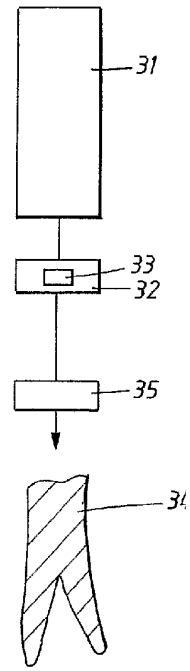


Fig. 9

