



US00D677699S

(12) **United States Design Patent**  
**Finnican**

(10) **Patent No.:** **US D677,699 S**

(45) **Date of Patent:** **\*\* Mar. 12, 2013**

(54) **MANIFOLD**

(74) *Attorney, Agent, or Firm* — Trego, Hines & Ladenheim, PLLC

(76) Inventor: **Greg Finnican**, Charlotte, NC (US)

(\*\*) Term: **14 Years**

(57) **CLAIM**

(21) Appl. No.: **29/428,333**

I claim the ornamental design for a manifold, as shown and described.

(22) Filed: **Jul. 30, 2012**

(51) **LOC (9) Cl.** ..... **15-01**

(52) **U.S. Cl.** ..... **D15/5**

(58) **Field of Classification Search** ..... D15/1-6;  
23/41.73; 123/210, 41.7, 184.21, 184.35,  
123/184.43, 184.48

See application file for complete search history.

**DESCRIPTION**

FIG. 1 is a perspective view of a manifold, showing my design;  
FIG. 2 is another perspective view of a manifold of FIG. 1;  
FIG. 3 is a front elevation of the manifold of FIG. 1;  
FIG. 4 is a rear elevation of the manifold of FIG. 1;  
FIG. 5 is a top view of the manifold of FIG. 1;  
FIG. 6 is a bottom view of the manifold of FIG. 1;  
FIG. 7 is a right elevation of the manifold of FIG. 1; and,  
FIG. 8 is a left elevation of the manifold of FIG. 1.  
The broken lines shown in the drawings are included for the purpose of illustrating portions of the article that form no part of the claimed design.

(56) **References Cited**

**U.S. PATENT DOCUMENTS**

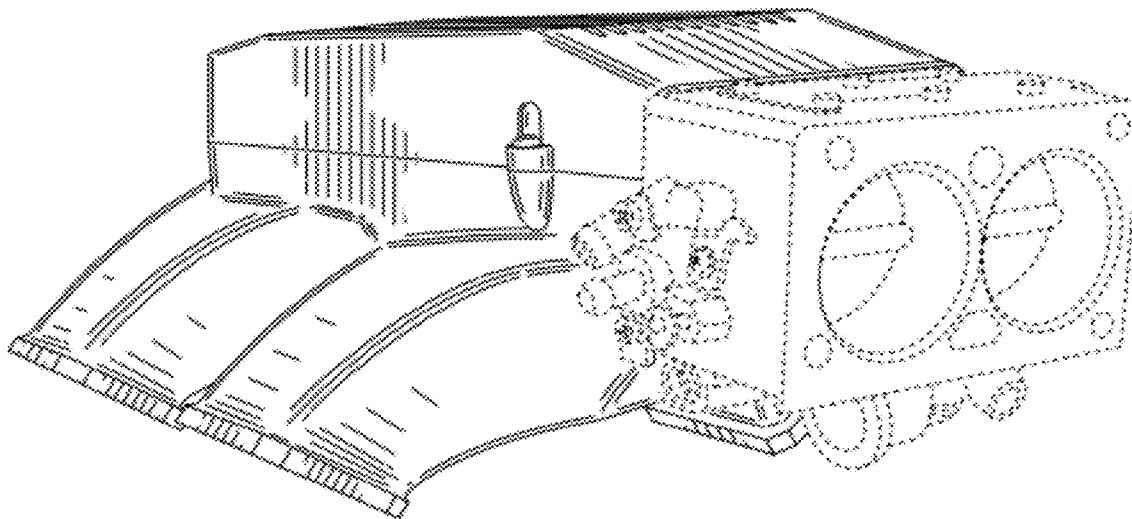
D364,628 S \* 11/1995 Haller ..... D15/5  
D400,890 S \* 11/1998 Gambardella ..... D15/5  
2011/0169186 A1 \* 7/2011 Bruman et al. .... 264/138

\* cited by examiner

*Primary Examiner* — T. Chase Nelson

*Assistant Examiner* — Ania Aman

**1 Claim, 8 Drawing Sheets**



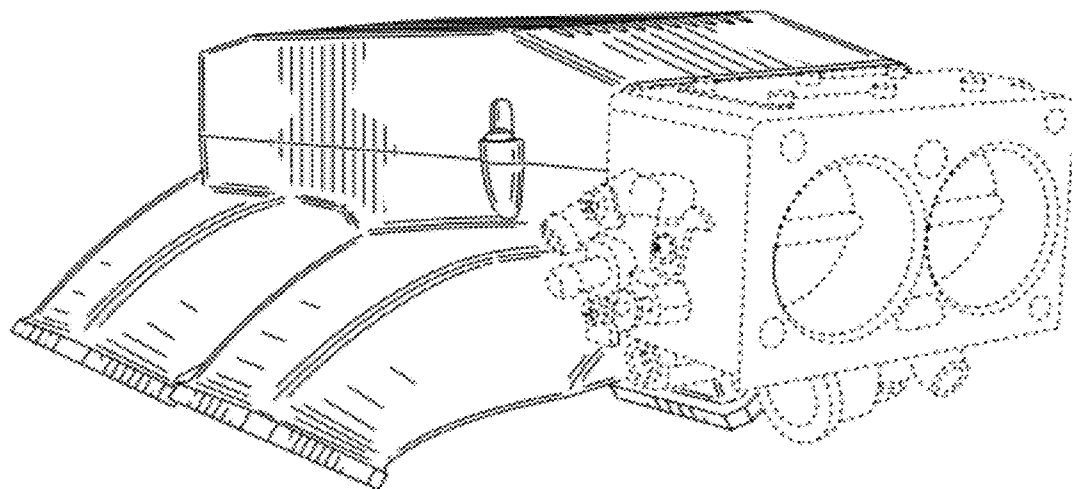


FIG. 1

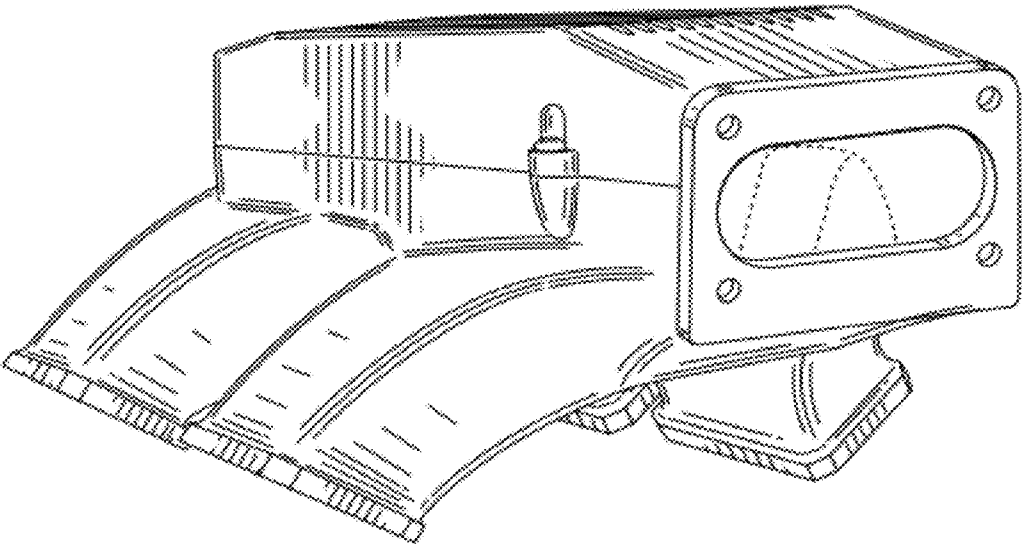


FIG. 2

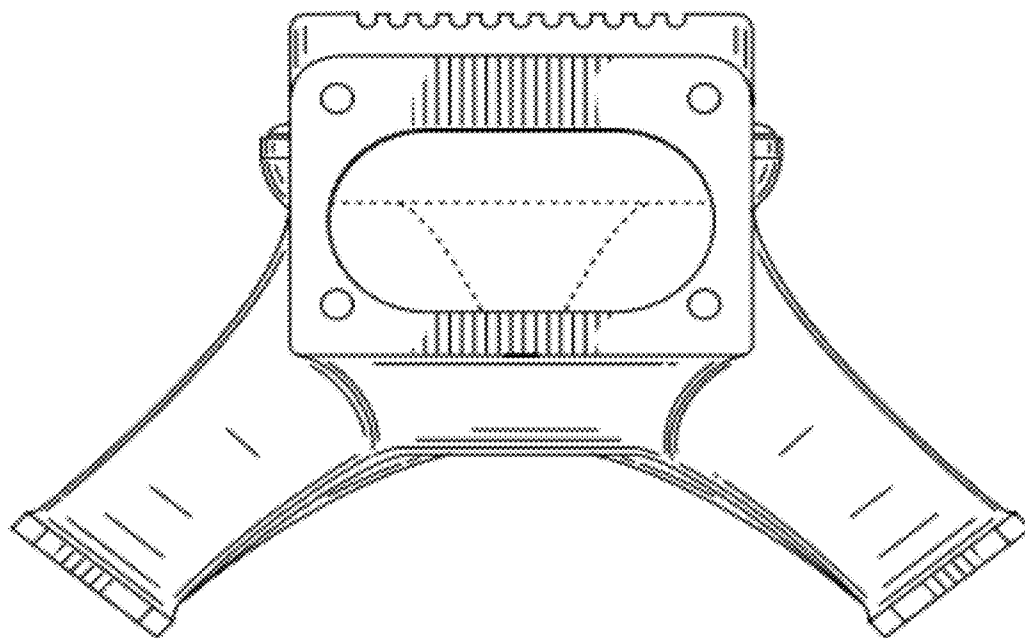


FIG. 3

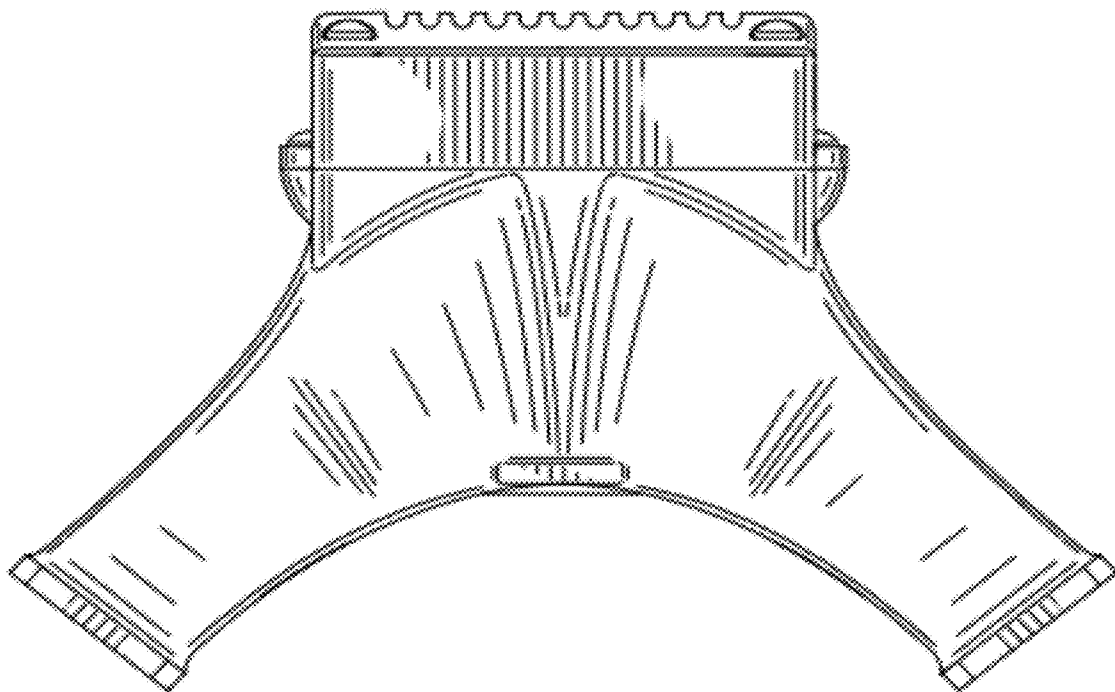


FIG. 4

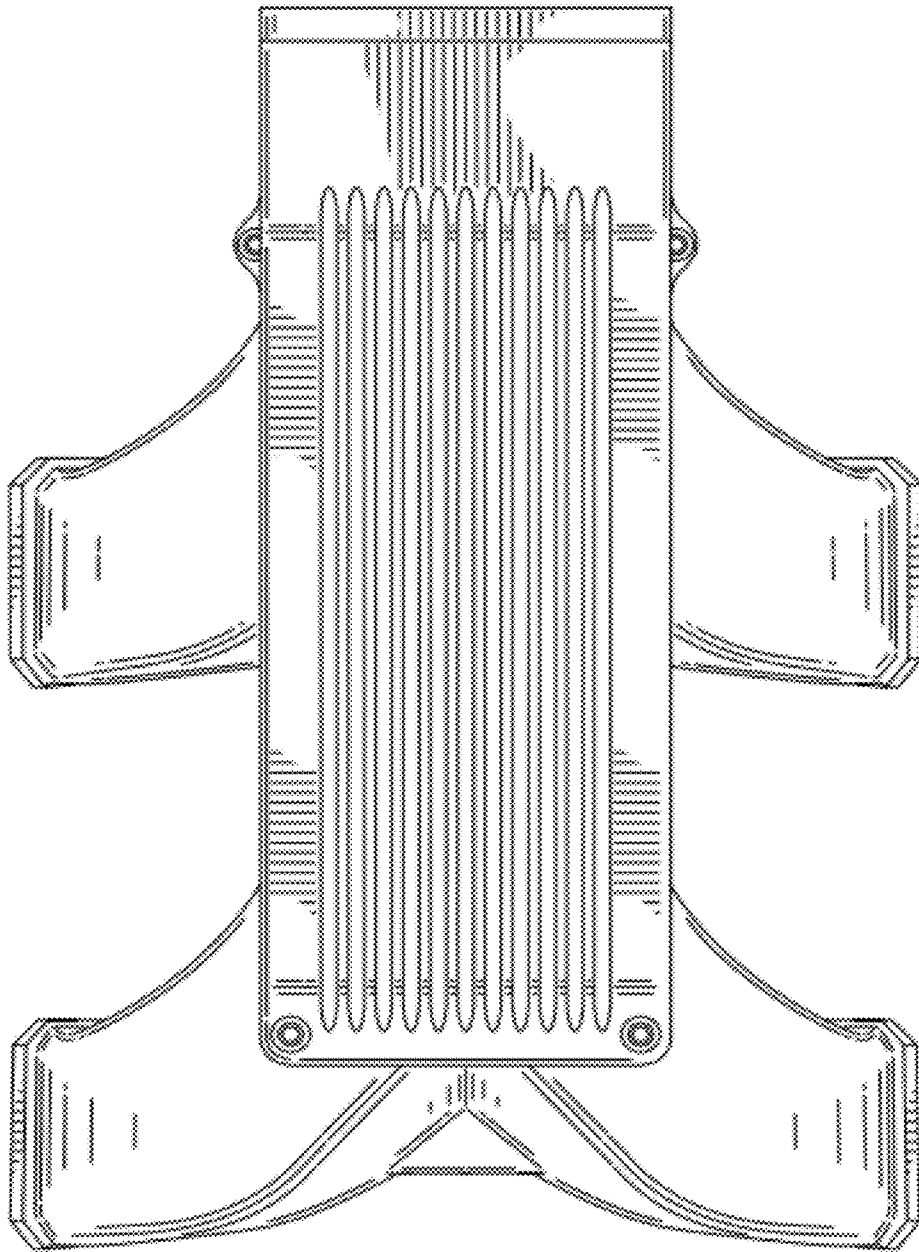


FIG. 5

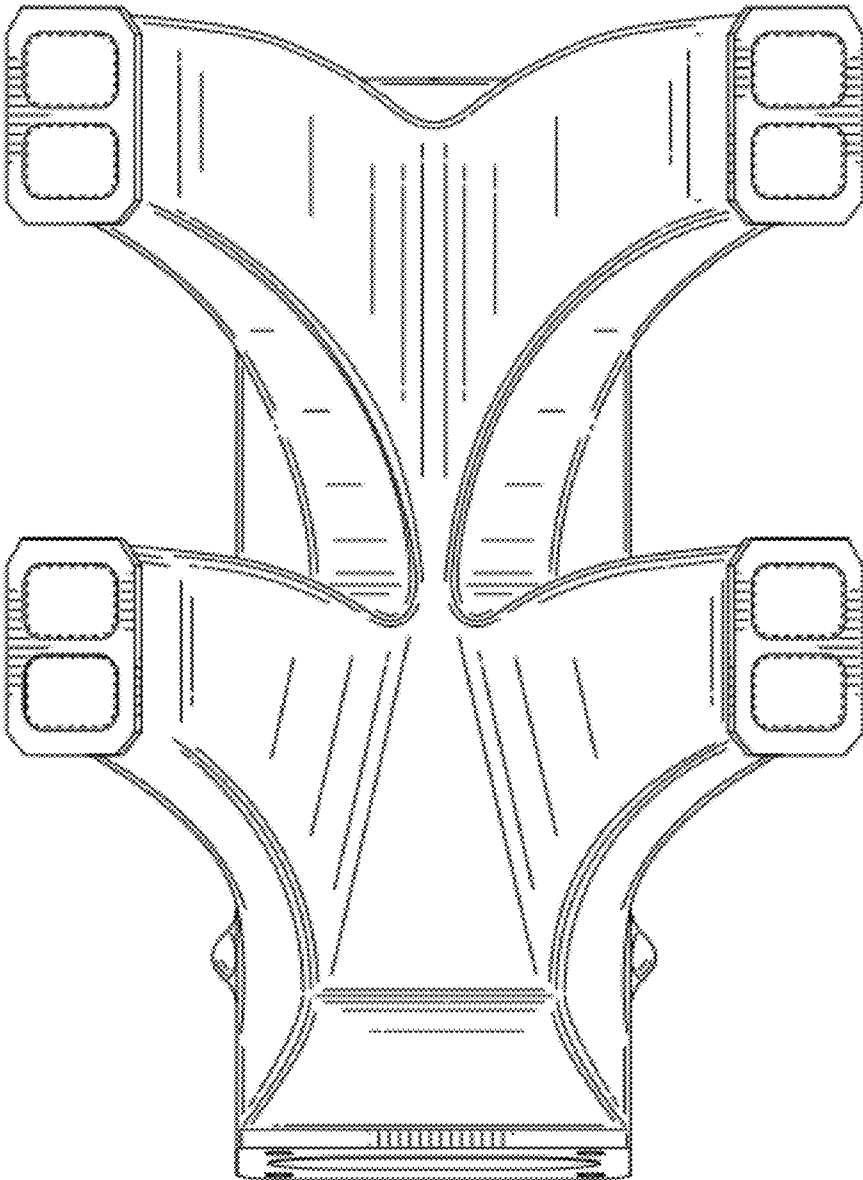


FIG. 6

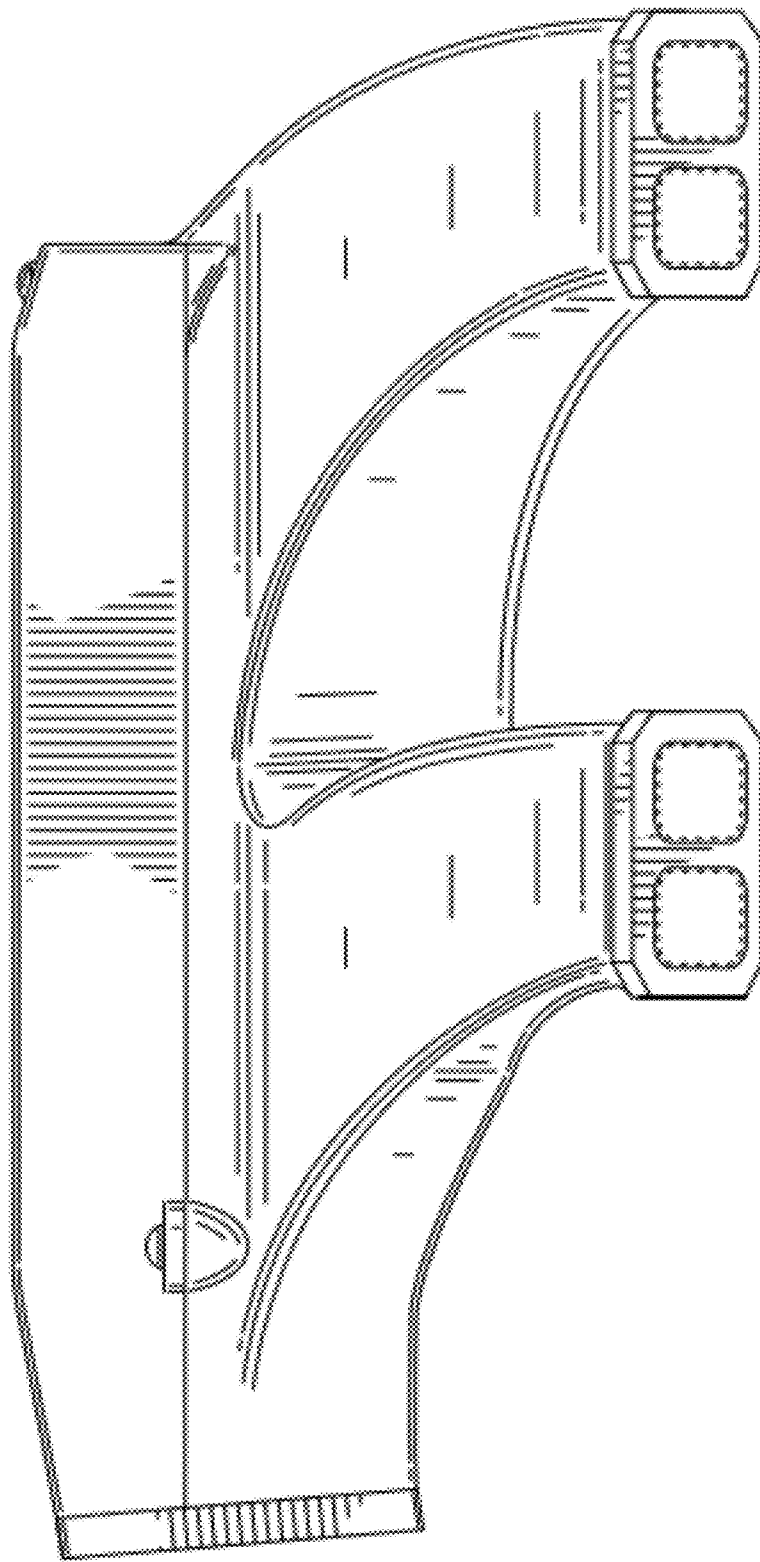


FIG. 7



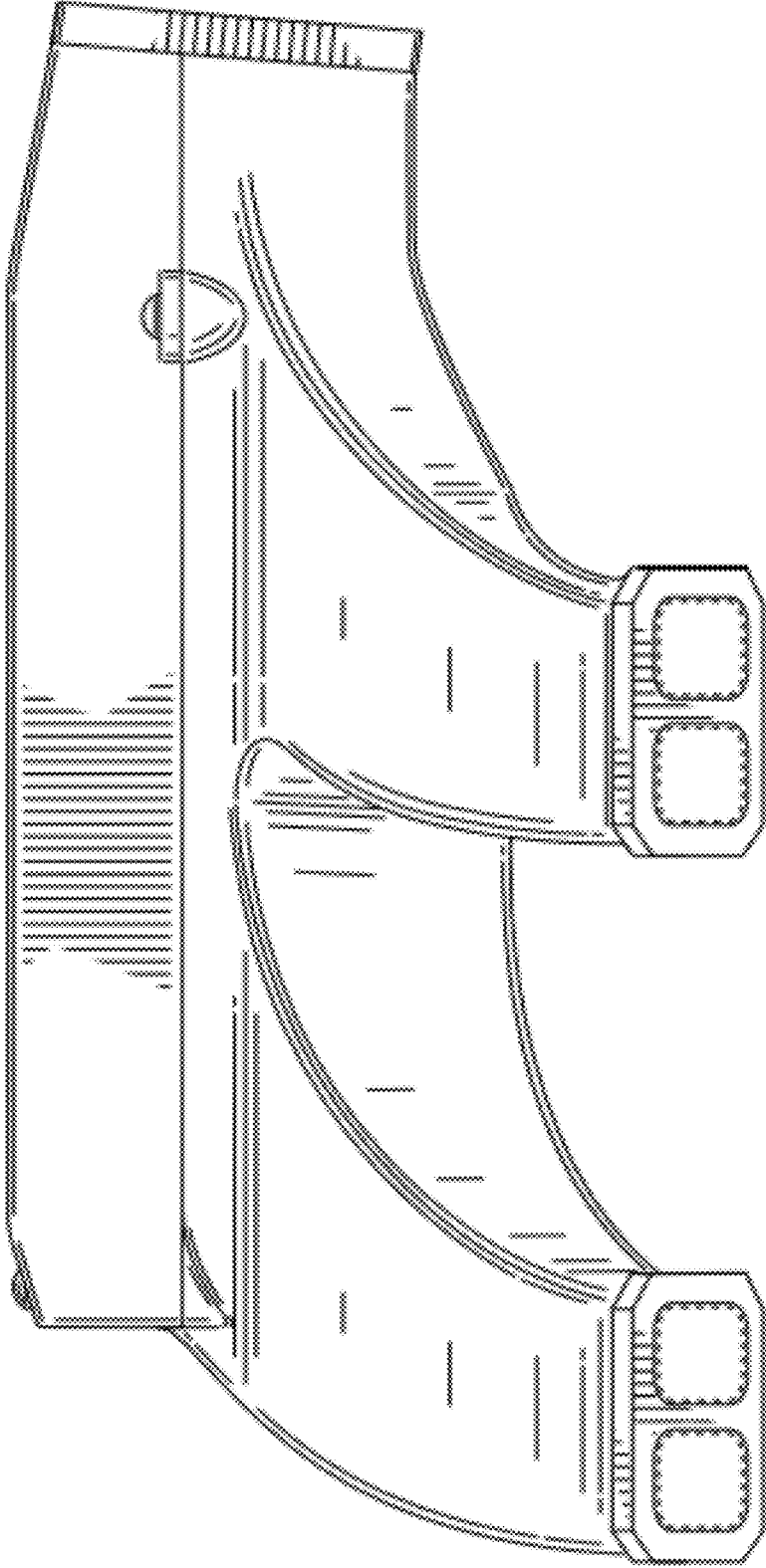


FIG. 8