

(19) World Intellectual Property
Organization
International Bureau



(43) International Publication Date
5 February 2004 (05.02.2004)

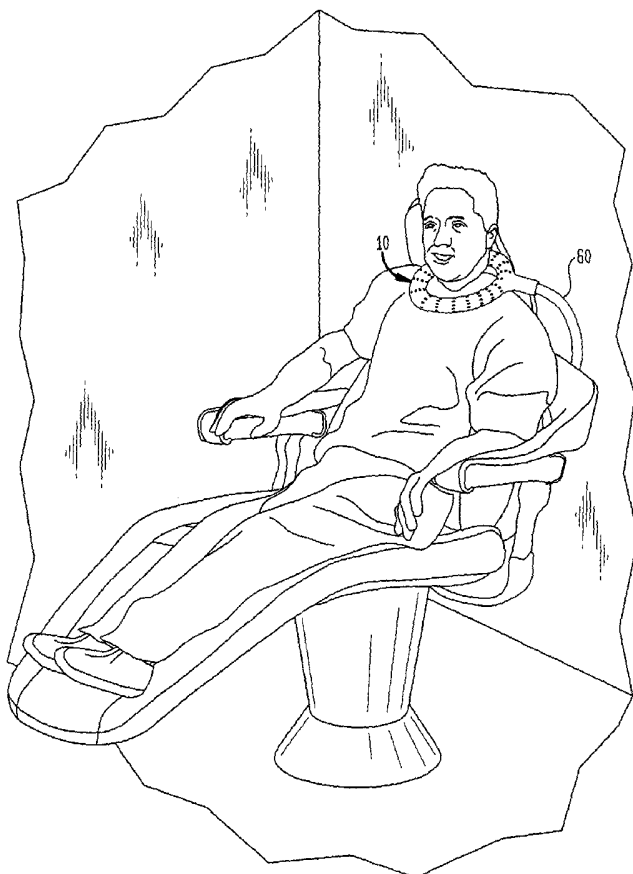
PCT

(10) International Publication Number
WO 2004/010892 A2

- (51) International Patent Classification⁷: **A61F** [US/US]; 108 Orchard Lane, Berkeley Heights, NJ 07922 (US).
- (21) International Application Number: PCT/US2003/023556
- (22) International Filing Date: 25 July 2003 (25.07.2003)
- (25) Filing Language: English
- (26) Publication Language: English
- (30) Priority Data: 60/398,684 26 July 2002 (26.07.2002) US
- (71) Applicant (for all designated States except US): **UNIVERSITY OF MEDICINE AND DENTISTRY OF NEW JERSEY** [US/US]; 335 George Street, Suite 3200, New Brunswick, NJ 08901 (US).
- (72) Inventor; and
- (75) Inventor/Applicant (for US only): **MILLES, Maano**
- (74) Agent: **FRISCIA, Michael, R.**; Wolff & Samson P.C., One Boland Drive, West Orange, NJ 07052 (US).
- (81) Designated States (national): AE, AG, AL, AM, AT, AU, AZ, BA, BB, BG, BR, BY, BZ, CA, CH, CN, CO, CR, CU, CZ, DE, DK, DM, DZ, EC, EE, ES, FI, GB, GD, GE, GH, GM, HR, HU, ID, IL, IN, IS, JP, KE, KG, KP, KR, KZ, LC, LK, LR, LS, LT, LU, LV, MA, MD, MG, MK, MN, MW, MX, MZ, NO, NZ, OM, PH, PL, PT, RO, RU, SC, SD, SE, SG, SK, SL, TJ, TM, TN, TR, TT, TZ, UA, UG, US, UZ, VC, VN, YU, ZA, ZM, ZW.
- (84) Designated States (regional): ARIPO patent (GH, GM, KE, LS, MW, MZ, SD, SL, SZ, TZ, UG, ZM, ZW), Eurasian patent (AM, AZ, BY, KG, KZ, MD, RU, TJ, TM), European patent (AT, BE, BG, CH, CY, CZ, DE, DK, EE, ES, FI, FR, GB, GR, HU, IE, IT, LU, MC, NL, PT, RO,

[Continued on next page]

(54) Title: METHOD AND APPARATUS FOR EVACUATING NITROUS OXIDE



(57) Abstract: An anesthetic gas scavenging system is provided. The system includes a housing having one or more apertures placed proximate to a patient's mouth and a vacuum source interconnected with the housing for excavating anesthesia exhaled by the patient. The housing can take the form of a circular tube and can be positioned to rest about a patient's neck. The housing can have closed ends attachable together about a patient's neck. Alternatively, the housing can take on other desired shapes, and can be suspended on a strap about a patient's neck to rest on the patient's chest.

WO 2004/010892 A2



SE, SI, SK, TR), OAPI patent (BF, BJ, CF, CG, CI, CM, GA, GN, GQ, GW, ML, MR, NE, SN, TD, TG).

For two-letter codes and other abbreviations, refer to the "Guidance Notes on Codes and Abbreviations" appearing at the beginning of each regular issue of the PCT Gazette.

Published:

— *without international search report and to be republished upon receipt of that report*

METHOD AND APPARATUS FOR EVACUATING NITROUS OXIDE

SPECIFICATIONBACKGROUND OF THE INVENTIONFIELD OF THE INVENTION

The present invention relates to a method and apparatus for evacuating nitrous oxide exhaled by a patient, and more specifically, to an apparatus that can be positioned on a patient to evacuate exhaled nitrous oxide.

RELATED ART

Nitrous oxide is an anesthetic gas widely used in dental offices. It is typically administered with oxygen and functions primarily as a sedative to reduce anxiety during dental procedures. The exposure limit for nitrous oxide recommended by the National Institute for Occupational Safety and Health (NIOSH) is 25 ppm for an average exposure time of 8 hours. Levels of nitrous oxide found in dental offices may be substantially higher, typically ranging from about 100 ppm in offices that use anesthetic gas scavenging equipment to over 1000 ppm in offices that do not use such equipment.

Increased general health problems and reproductive difficulties associated with exposure of non-patients to occupational levels of nitrous oxide have been described in scientific, medical and dental literature. Exposure to high levels of nitrous oxide typically found in dental offices has been found to adversely affect fertility in women (Roland AS et al., *N Engl J Med*, 1992, 327:993-997). Long-term exposure of male dentists to nitrous oxide in the dental operatory has been correlated with an increased incidence in liver and renal disease, spontaneous abortion in their wives, and general and non-specific neurologic disease. Among female chairside assistants, the association between long-term occupational exposure to nitrous oxide and these same general health and reproductive problems is more pronounced (Cohen EN et al., *JADA*, 1980, 101:21-31). It was found that dental professionals and assistants who worked with nitrous oxide exhibited a three- to four-fold increase in the incidence of neurological complaints, for example, numbness, tingling and/or muscle weakness,

compared to non-anesthetic exposed dental employees (Brodsky JB et al., *Anesthesia and Analgesia*, 1981, 60:297-301).

A particular problem in the dental office environment is that the patient's mouth is open and nitrous oxide is released through the patient's mouth during respiration and conversation. This leads to the undesirable exposure of dental office personnel to excess levels of nitrous oxide.

In the past, it has been known to evacuate exhaled or trace concentrations of nitrous oxide by a combination delivery and evacuation system. One such system, sold by Porter Instrument Company, Inc., Hatfield, PA, and known as the Porter/brown Scavenger (breathing circuit) System, provides a first outer mask for the delivery of nitrous oxide and a second inner mask nested within the outer mask for evacuation of exhaled nitrous oxide. The masks are designed to fit around the nose of a patient. However, these mask-based evacuation systems are limited to the evacuation of anesthetic gases that are exhaled by the nose, and do not evacuate gases that are exhaled from the mouth, or gases that otherwise leak from the system.

Accordingly, what is needed, but has not heretofore been provided, is an effective method and apparatus for evacuating nitrous oxide exhaled or released from a patient's mouth, or otherwise leaks from the nitrous oxide delivery or evacuation system, in a dental operatory which does not interfere with the performance of the dental procedure.

SUMMARY OF THE INVENTION

The present invention relates to an anesthesia scavenging apparatus. The apparatus includes a housing having one or more vents and an outlet. A vacuum source is connected to the outlet. The housing is positioned proximate to a patient. The housing can be in the form of a tube or other configuration, and can be made of a lightweight, flexible material with apertures. In one embodiment, the housing comprises perforated plastic tubing. The length of the tubing can be varied. The tube can be draped over a patient's shoulder and chest. The tube may be circular in shape for placement about the patient's neck. The tube can be continuous and placed over a patient's head and about the patient's neck. Alternatively, the ends of the tube can be closed and the ends can be attached by fasteners. In another embodiment, the housing comprises a short tube with closed ends that rests on a patient's chest. In this embodiment, the housing is suspended about the patient's neck by a band interconnectable with the housing.

The present invention also relates to a method of removing anesthetic gas exhaled by a patient being administered anesthetic gas, or gas which otherwise leaks from the anesthetic gas delivery or evacuation system, comprising the steps of placing a perforated housing proximate to a patient, connecting the perforated housing to a vacuum, and applying a vacuum to remove exhaled or leaked anesthetic gas.

BRIEF DESCRIPTION OF THE DRAWINGS

Other important objects and features of the invention will be apparent from the following Detailed Description of the Invention taken in connection with the accompanying drawings in which:

FIG. 1 shows a nitrous oxide scavenger apparatus according to the present invention positioned on a patient.

FIG. 2 is a detailed top view of the nitrous oxide scavenger apparatus shown in **FIG. 1**.

FIG. 3 shows another embodiment the nitrous oxide scavenger apparatus according to the present invention.

FIG. 4 shows another embodiment of the nitrous oxide scavenger apparatus according to the present invention.

FIG. 5 shows the scavenger apparatus of the present invention used in connection with a nose mask.

FIG. 6 shows another embodiment of the nitrous oxide scavenger apparatus according to the present invention.

FIG. 7 shows a comparison of the average amount of N₂O in ppm measured as described in the Example in subjects (n = 10) without (◆) and with (■) the scavenger collar of the present invention.

DETAILED DESCRIPTION OF THE INVENTION

For the purpose of illustration, embodiments of the present invention are shown in **FIGS. 1-6**, wherein like numbers are used to designate like parts throughout the drawings. In general, the present invention relates to a nitrous oxide scavenging apparatus comprising a housing with one or more vents. The housing also has an outlet connected to a vacuum. The housing is placed proximate to a patient, for example, near the mouth of the patient to remove exhaled nitrous oxide gas. The phrase "proximate to the mouth of a patient," as used herein means the area below the mouth and about the neck and chest of a patient, *i.e.*, the area where nitrous oxide flows after it is exhaled. The apparatus removes nitrous oxide exhaled by a patient through the mouth due to talking or breathing, or gas otherwise released during administration of the anesthetic. While the method and apparatus of the present invention are discussed primarily with reference to nitrous oxide, it should be understood that this invention can be used with any other inhalation anesthetic agents used, or mixes thereof.

FIG. 1 shows the nitrous oxide evacuating apparatus **10** positioned about a patient seated in a dental chair. Vacuum line **60** is used to connect the evacuating apparatus **10** to a vacuum.

An embodiment of the scavenging system of the present invention is illustrated in **FIG. 2**, wherein the scavenging apparatus is generally designated by reference numeral **10**. In this embodiment, the scavenging apparatus comprises a housing formed of tube **20** with closed ends **30**, and confluence **40** located between closed ends **30**. The housing is essentially a U-shaped collar that can be attached about a patient's neck. Confluence **40** extends from the tube **20** to an outlet which may be in the form of an open-ended portion or nozzle **50**. The tube can be removably attached to vacuum line **60** by inserting the nozzle **50** into vacuum line **60** in the direction shown by arrow A. The tube **20** has one or more apertures forming entry vents **70**. Attached to the tube **20**, at or near the closed ends **30**, are tabs **80** which are releasably engagable to provide a means for securing the apparatus around a patient's neck.

The housing of the scavenging apparatus **10** can be formed with materials known in the art. For example, flexible corrugated tubing can be used to allow for some expansion and contraction of the device. Such tubing has been used in the past

to connect a vacuum to a mask-type delivery and evacuation devices. The length of tubing used for the scavenging apparatus **10** should be sufficient to allow same to be positioned around a person's neck. The ends **30** of tube **20** can be sealed in any known manner. The vents **70** can be formed by perforating the tube **20**. The vents **70** can be formed in tube **20** by punching holes in the tubing, or in any other desirable way, such as during manufacturing of the tube **20**. The sizing and spacing of the vents **70** can be varied as desired. The vents **70** can be positioned randomly or orderly arranged on the tubing **20**. Any number of vents, including a single vent of large diameter, can be provided.

The releasably engagable tabs **80** are interconnected with the tube and can be formed of any suitable material. For example, a hook and loop fastening system can be employed, wherein a hook material is applied to one tab and loop material applied to the other. However, the tube may be removably secured or retained around the patient's neck by any suitable means, for example, strings or straps which are tied together or an elastic strap which may be stretched to position the tube **20** over the patient's head.

Another embodiment of the scavenging system of the present invention is illustrated in **FIG. 3**, wherein the housing of the scavenging apparatus **110** comprises a continuous tube **120**. In this embodiment, the housing is essentially an O-shaped collar that can be positioned about a patient's neck. Confluence **140**, which extends from the surface of the tube **120**, forms a nozzle **150** for attachment to vacuum line **160** by relative movement along arrow A. The tube **120** is perforated with vents **170**. The size and shape of the scavenging apparatus **110**, as well as the materials and construction thereof, are similar to the apparatus shown and described in **FIG. 2**. The tube **120** can be placed over a patient's head to rest on the patient's body about the neck. The nozzle **150** is shown with an upward orientation, but it can be oriented in any direction as desired.

Another embodiment of the scavenging system of the present invention is illustrated in **FIG. 4**. The scavenging apparatus, generally indicated at **210**, comprises a housing formed of tube **220** having closed ends **230**. Confluence **240** extends from the tube **220** forming a nozzle **250** for attachment to vacuum line **260** by relative movement in the direction of arrow A. The tube **220** is perforated with vents **270**.

Attached to the tube **220** near the closed ends **230** is strap **290** which may be formed of an elastic material and which provides a means for securing the apparatus around the patient's neck. The size and shape of the housing, and the materials used to make the housing, can be varied as desired.

In use, the scavenging apparatus **10**, **110**, **210** of the present invention is positioned about the neck of a patient and is placed into fluid communication with a vacuum source by connection to a vacuum line **60**, **160**, **260**. Exhaled, stray and/or leaked anesthetic gases which are administered nasally are drawn into the tube **20**, **120**, **220** through the vents **70**, **170**, **270** and down through the vacuum line **60**, **160**, **260** to remove such gases from the proximity of the patient and any dental personnel working near the patient.

The scavenging system shown in **FIGS. 1-4** is designated for use with an open circuit anesthesia gas delivery system in a non-intubating setting. It can be used concurrently with the nasal administration of nitrous oxide, which is delivered through a separate system. It functions as an adjunct scavenging system to a conventional nasal gas scavenging system, removing those gases not removed by a conventional nasal mask scavenger alone.

FIG. 5 shows the evacuating apparatus shown in **FIGS. 1** and **3** used in connection with a nasal mask **90**. The nasal mask **90** has a nitrous oxide supply line **91** and a nasal vacuum line **92**. The nasal vacuum line **92** and the evacuating vacuum line **60** can be interconnected by tee connector **62**, one end of which can be connected by tee line **64** to a vacuum source at a wall.

FIG. 6 shows another embodiment of the evacuating apparatus of the present invention. The apparatus, generally indicated at **310**, includes a housing formed of a tube connected at one end to vacuum line **360**. The housing has a plurality of vents **370**. The housing can be draped over a patient's chest and shoulder as shown in the figure.

The present invention also provides a method of removing anesthetic gas exhaled by a patient being nasally administered anesthetic gas and/or such gas that leaks from the system. The method comprises the steps of placing a perforated housing proximate to the mouth of a patient, connecting the perforated housing to a vacuum source, and applying a vacuum to remove exhaled anesthetic gas.

EXAMPLE

The following study demonstrates that the scavenging apparatus of the present invention reduces the levels of anesthetic gas in proximity to a subject being nasally administered the gas. In this study, 10 subjects were administered nitrous oxide according to procedures typically used in dental offices with a test mix of anesthetic gas of 40% N₂O / 60% O₂. Ambient anesthetic gas in the proximity of the subjects' mouths was measured using a Medigas PM 3010 (Bacharach, Inc., Pittsburgh, PA) both without and with the scavenging apparatus shown in **FIG. 1**. Baseline levels were measured at time 0 and gas levels were measured at 3 minute intervals for 15 minutes.

The results shown in **FIG. 7** demonstrate that over a fifteen minute time period, excess ambient anesthetic gas in proximity to the subject was reduced by up to 58% using the scavenging apparatus of the present invention.

Having thus described the invention in detail, it is to be understood that the foregoing description is not intended to limit the spirit and scope thereof. What is desired to be protected by Letters Patent is set forth in the appended claims.

CLAIMS**What is claimed is:**

1. An anesthesia scavenging apparatus comprising:
a housing having a plurality of vents and an outlet;
a vacuum source connected to the outlet; and
means for positioning the housing proximate to a patient's mouth.
2. The apparatus of claim 1, wherein the housing comprises a tube.
3. The apparatus of claim 2 wherein the tube comprises two closed ends and the outlet is positioned centrally between the ends.
4. The apparatus of claim 3 further comprising fasteners at the ends of the tube for attaching the tube ends together to position the tube about a patient's neck.
5. The apparatus of claim 2 further comprising a band interconnectable with the ends of the tube for supporting the tube about a patient's neck.
6. The apparatus of claim 5 wherein the tube is rigid.
7. The apparatus of claim 2 wherein the tube is O-shaped.
8. An anesthesia scavenging system, comprising;
a collar with at least one vent, the collar sized to be positioned about a patient's neck; and
a vacuum source in fluid communication with the collar.
9. The system of claim 8 wherein the collar comprises a tube.
10. The system of claim 9 wherein the tube has closed ends.
11. The system of claim 9 wherein the tube has closed ends and is secured about a patient's neck by releasably interconnectable tabs.
12. The system of claim 9 wherein the tube has closed ends and is retained about a patient's neck by a strap.
13. The system of claim 8, wherein the collar comprises a continuous tube.
14. The system of claim 8 wherein a vacuum line connecting the collar with the vacuum source is interconnected with a nasal mask vacuum line.
15. The system of claim 14 further comprising a tee which connects the vacuum line from the collar to the nasal mask vacuum line, and connects both vacuum lines to a vacuum source.

16. A method of removing anesthetic gas exhaled by a patient being nasally administered an anesthetic gas comprising:

placing a perforated housing in proximity to the mouth of a patient;

connecting the perforated housing to a vacuum source; and

applying a vacuum to the housing to remove exhaled anesthetic gas from proximity to the mouth of the patient.

17. The method of claim 16, wherein the housing comprises a continuous tube and the step of placing the housing in proximity to the mouth of a patient comprises placing the continuous tube over a patient's head to rest about a patient's neck.

18. The method of claim 16, wherein the housing comprises a tube with closed ends and the step of placing the housing in proximity to the mouth of a patient comprises positioning the tube about a patient's neck and interconnecting the ends.

19. The method of claim 16, wherein the step of placing the housing in proximity to the mouth of a patient comprises suspending the housing about a patient's neck using a strap connected to the housing.

20. The method of claim 16 wherein the housing comprises a tube and the step of placing the housing in proximity to the mouth of a patient comprising draping the tube over a patient's chest and shoulder.

21. The method of claim 16 wherein the step of connecting the perforated housing to a vacuum source comprises connecting the housing to a nasal mask vacuum line.

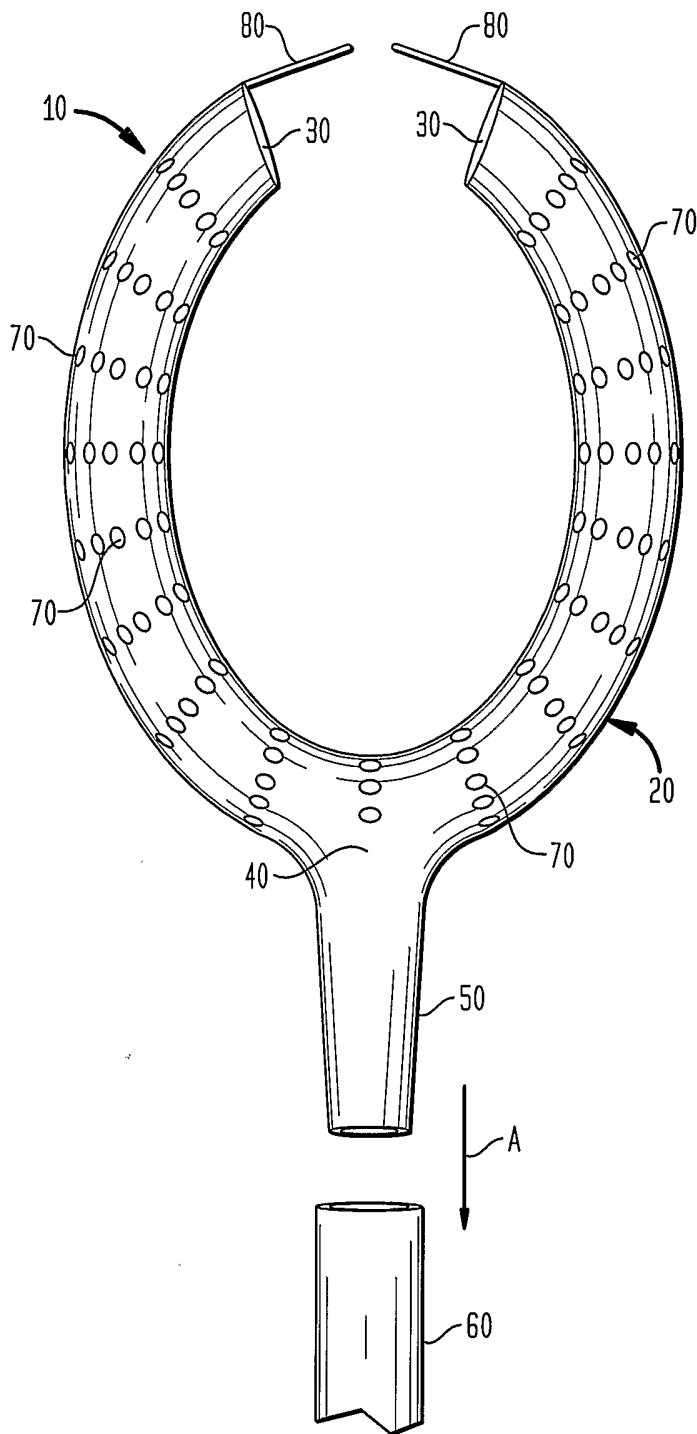
1/7

FIG. 1



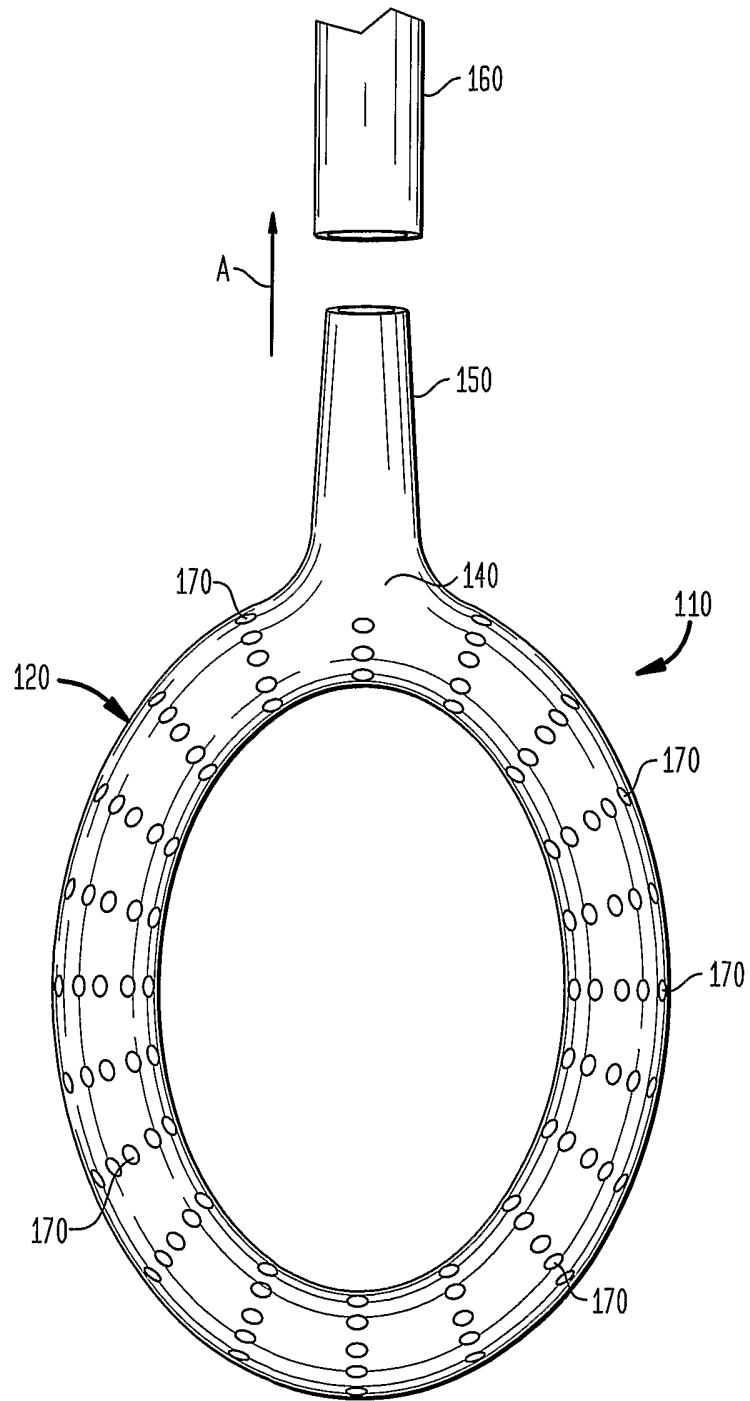
2/7

FIG. 2



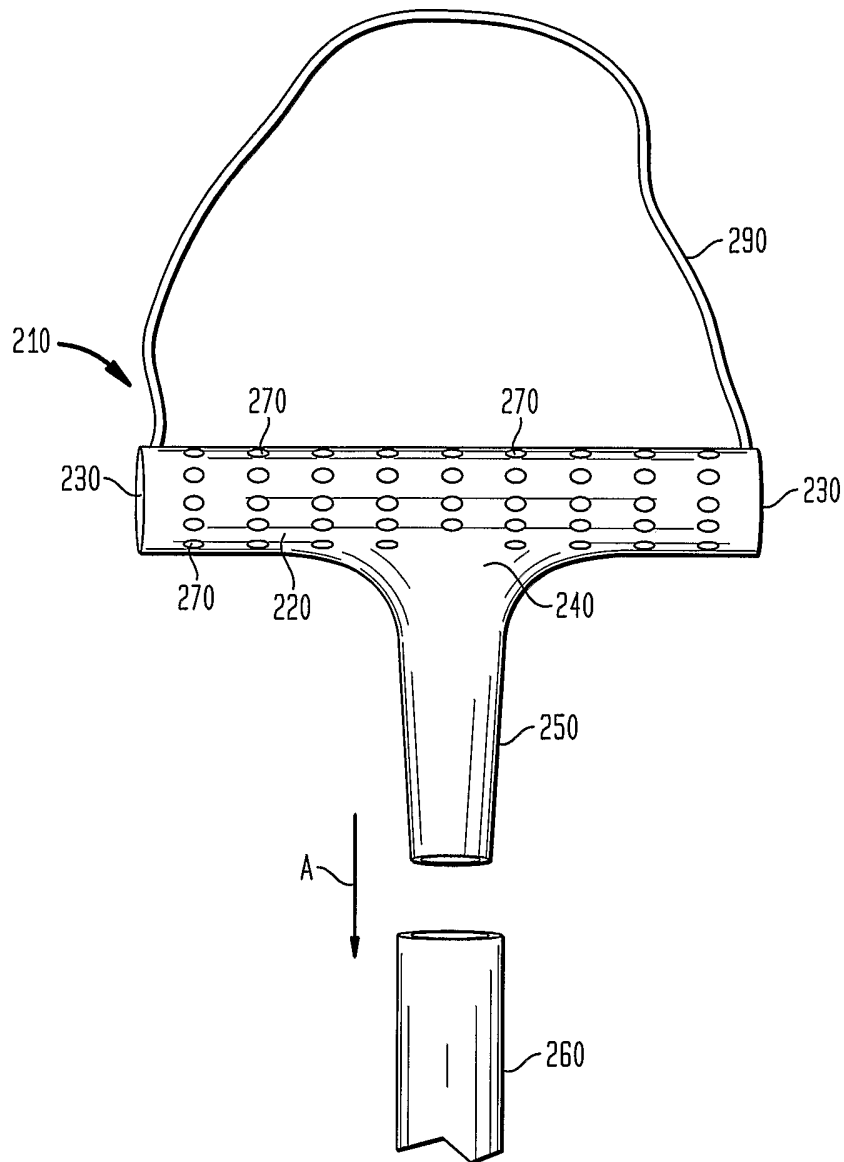
3/7

FIG. 3



4/7

FIG. 4



5/7

FIG. 5



6/7

FIG. 6



7/7

FIG. 7

