

(19) World Intellectual Property Organization  
International Bureau



(43) International Publication Date  
18 December 2003 (18.12.2003)

PCT

(10) International Publication Number  
WO 2003/103557 A3

- (51) International Patent Classification<sup>7</sup>: **A61G 7/08**
- (21) International Application Number:  
PCT/US2003/018301
- (22) International Filing Date: 10 June 2003 (10.06.2003)
- (25) Filing Language: English
- (26) Publication Language: English
- (30) Priority Data:  
60/387,545 10 June 2002 (10.06.2002) US
- (71) Applicant: **ASTIR TECHNOLOGIES, LLC.** [US/US];  
39 Oak Road, Concord, MA 01742 (US).
- (71) Applicant and
- (72) Inventor: **MCNULTY, Christopher** [US/US]; 1679 Low-  
ell Road, Concord, MA 01742 (US).
- (74) Agents: **MELLO, David, M.** et al.; McDermott, Will &  
Emery, 28 State Street, Boston, MA 02109 (US).

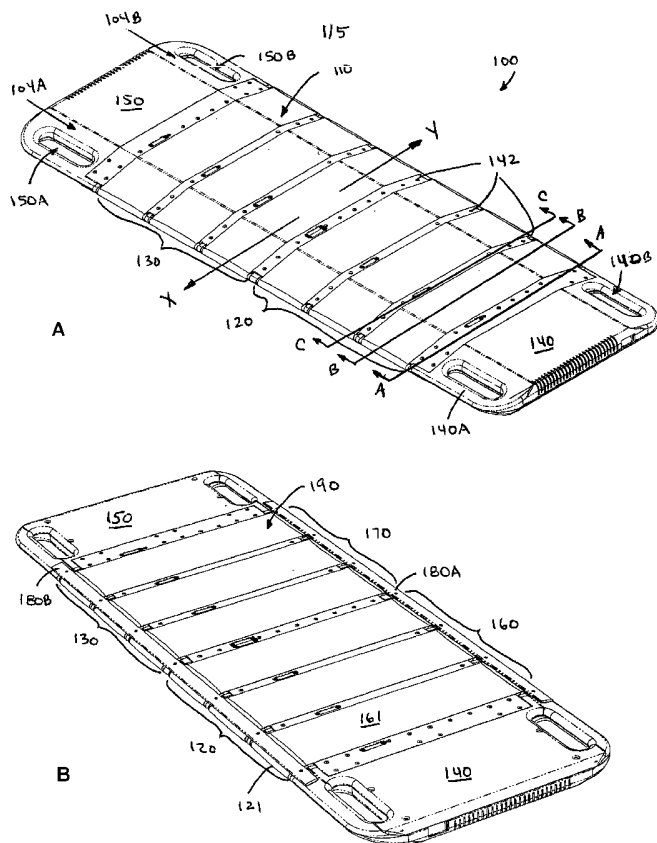
(81) Designated States (*national*): AE, AG, AL, AM, AT, AU, AZ, BA, BB, BG, BR, BY, BZ, CA, CH, CN, CO, CR, CU, CZ, DE, DK, DM, DZ, EC, EE, ES, FI, GB, GD, GE, GH, GM, HR, HU, ID, IL, IN, IS, JP, KE, KG, KP, KR, KZ, LC, LK, LR, LS, LT, LU, LV, MA, MD, MG, MK, MN, MW, MX, MZ, NO, NZ, OM, PH, PL, PT, RO, RU, SD, SE, SG, SK, SL, TJ, TM, TN, TR, TT, TZ, UA, UG, UZ, VN, YU, ZA, ZM, ZW.

(84) Designated States (*regional*): ARIPO patent (GH, GM, KE, LS, MW, MZ, SD, SL, SZ, TZ, UG, ZM, ZW), Eurasian patent (AM, AZ, BY, KG, KZ, MD, RU, TJ, TM), European patent (AT, BE, BG, CH, CY, CZ, DE, DK, EE, ES, FI, FR, GB, GR, HU, IE, IT, LU, MC, NL, PT, RO, SE, SI, SK, TR), OAPI patent (BF, BJ, CF, CG, CI, CM, GA, GN, GQ, GW, ML, MR, NE, SN, TD, TG).

Published:  
— with international search report

[Continued on next page]

(54) Title: BODY TRANSFER SYSTEM



(57) Abstract: A system (100) for transferring a body from a first surface to a second surface, with substantially no agitation of the body, is provided. The system (100) comprises a housing having a substantially planar top portion (102) configured to support the body and a substantially planar bottom portion (190) configured to engage either of the first or the second surface. A first translation means is operatively disposed at the top portion (102) and a second translation means is operatively disposed at the bottom portion (190). The second translation means is configured to transfer the system (100) between the surfaces, with or without the body. The first translation means is configured burrow between the first surface and the body.

WO 2003/103557 A3



— *before the expiration of the time limit for amending the claims and to be republished in the event of receipt of amendments*

*For two-letter codes and other abbreviations, refer to the "Guidance Notes on Codes and Abbreviations" appearing at the beginning of each regular issue of the PCT Gazette.*

**(88) Date of publication of the international search report:**  
28 April 2005

**INTERNATIONAL SEARCH REPORT**

International application No.

PCT/US03/18301

**A. CLASSIFICATION OF SUBJECT MATTER**

IPC(7) : A61G 7/08  
 US CL : 5/81.1C

According to International Patent Classification (IPC) or to both national classification and IPC

**B. FIELDS SEARCHED**

Minimum documentation searched (classification system followed by classification symbols)  
 U.S. : 5/81.1C, 81.1HS, 81.1R, 81.1RP; 414/921

Documentation searched other than minimum documentation to the extent that such documents are included in the fields searched

Electronic data base consulted during the international search (name of data base and, where practicable, search terms used)

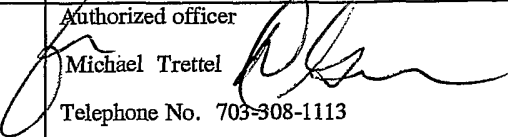
**C. DOCUMENTS CONSIDERED TO BE RELEVANT**

Category *	Citation of document, with indication, where appropriate, of the relevant passages	Relevant to claim No.
X	US R28,056 A (STEVENS) 25 June 1974 (25.06.1974), columns 3 and 4.	1,17
X	US 3,947,902 A (CONDE et al) 06 April 1975 (06.04.1975), read entire document.	1, 11-13, 15, 17, 25, 31
A	US 4,073,016 A (KOLL) 14 February 1978 (14.02.1978)	
A	US 3,967,328 A (COX) 06 July 1976 (06.07.1976)	
A	US 4,077,073 A (KOLL et al) 07 March 1978 (07.03.1978)	
A	US 4,087,873 A (OHKAWA) 09 May 1978 (09.05.1978)	
A	US 4,794,655 A (OOKA et al) 03 January 1989 (03.01.1989)	

Further documents are listed in the continuation of Box C.  See patent family annex.

* Special categories of cited documents:	"I"	later document published after the international filing date or priority date and not in conflict with the application but cited to understand the principle or theory underlying the invention
"A" document defining the general state of the art which is not considered to be of particular relevance	"X"	document of particular relevance; the claimed invention cannot be considered novel or cannot be considered to involve an inventive step when the document is taken alone
"B" earlier application or patent published on or after the international filing date	"Y"	document of particular relevance; the claimed invention cannot be considered to involve an inventive step when the document is combined with one or more other such documents, such combination being obvious to a person skilled in the art
"L" document which may throw doubts on priority claim(s) or which is cited to establish the publication date of another citation or other special reason (as specified)	"&"	document member of the same patent family
"O" document referring to an oral disclosure, use, exhibition or other means		
"P" document published prior to the international filing date but later than the priority date claimed		

Date of the actual completion of the international search 28 October 2004 (28.10.2004)	Date of mailing of the international search report <b>22 FEB 2005</b>
---	--

Name and mailing address of the ISA/US Mail Stop PCT, Attn: ISA/US Commissioner for Patents P.O. Box 1450 Alexandria, Virginia 22313-1450 Facsimile No. (703) 305-3230	Authorized officer Michael Trettel  Telephone No. 703-308-1113
---	--