



US00D553113S

(12) **United States Design Patent**
Cha et al.

(10) **Patent No.:** **US D553,113 S**
(45) **Date of Patent:** **** Oct. 16, 2007**

(54) **PORTABLE PHONE**

D538,820 S * 3/2007 Andre et al. D14/496

(75) Inventors: **Seong-Won Cha**, Seoul (KR); **Jun-Suh Kim**, Seoul (KR); **Chang-Soo Lee**, Incheon (KR)

(Continued)

FOREIGN PATENT DOCUMENTS

(73) Assignee: **Samsung Electronics Co., Ltd.**, Suwon-Si (KR)

WO DM/067685 * 3/2006

OTHER PUBLICATIONS

(**) Term: **14 Years**

LG M6100, announced Jan. 2006, [online], [retrieved on Feb. 20, 2007]. Retrieved from Internet ,<URL: http://www.gsmarena.com>.*

(21) Appl. No.: **29/257,556**

Pantech PG-3600V, announced Feb. 2006, [online], [retrieved on Feb. 20, 2007]. Retrieved from Internet ,<URL: http://www.gsmarena.com>.*

(22) Filed: **Apr. 7, 2006**

Samsung X830, announced Sep. 2006, [online], [retrieved on Feb. 8, 2007]. Retrieved from Internet ,<URL: http://www.gsmarena.com>.*

(30) **Foreign Application Priority Data**

Oct. 28, 2005 (KR) 30-2005-0036478

Gigabyte g-YoYo, announced 2006, [online], [retrieved on Feb. 20, 2007]. Retrieved from Internet ,<URL: http://www.gsmarena.com>.*

(51) **LOC (8) Cl.** **14-03**

(52) **U.S. Cl.** **D14/138**

(58) **Field of Classification Search** D14/137, D14/138, 147, 218, 341-347, 496; 455/90.3, 455/556.1, 556.2, 575.1, 575.3, 575.4; 379/433.01-433.13; 361/814; 348/14.02

See application file for complete search history.

Primary Examiner—Jeffrey Asch
Assistant Examiner—Bridget L. Eland
(74) *Attorney, Agent, or Firm*—Staas & Halsey LLP

(57) **CLAIM**

The ornamental design for the portable phone, as shown and described.

(56) **References Cited**

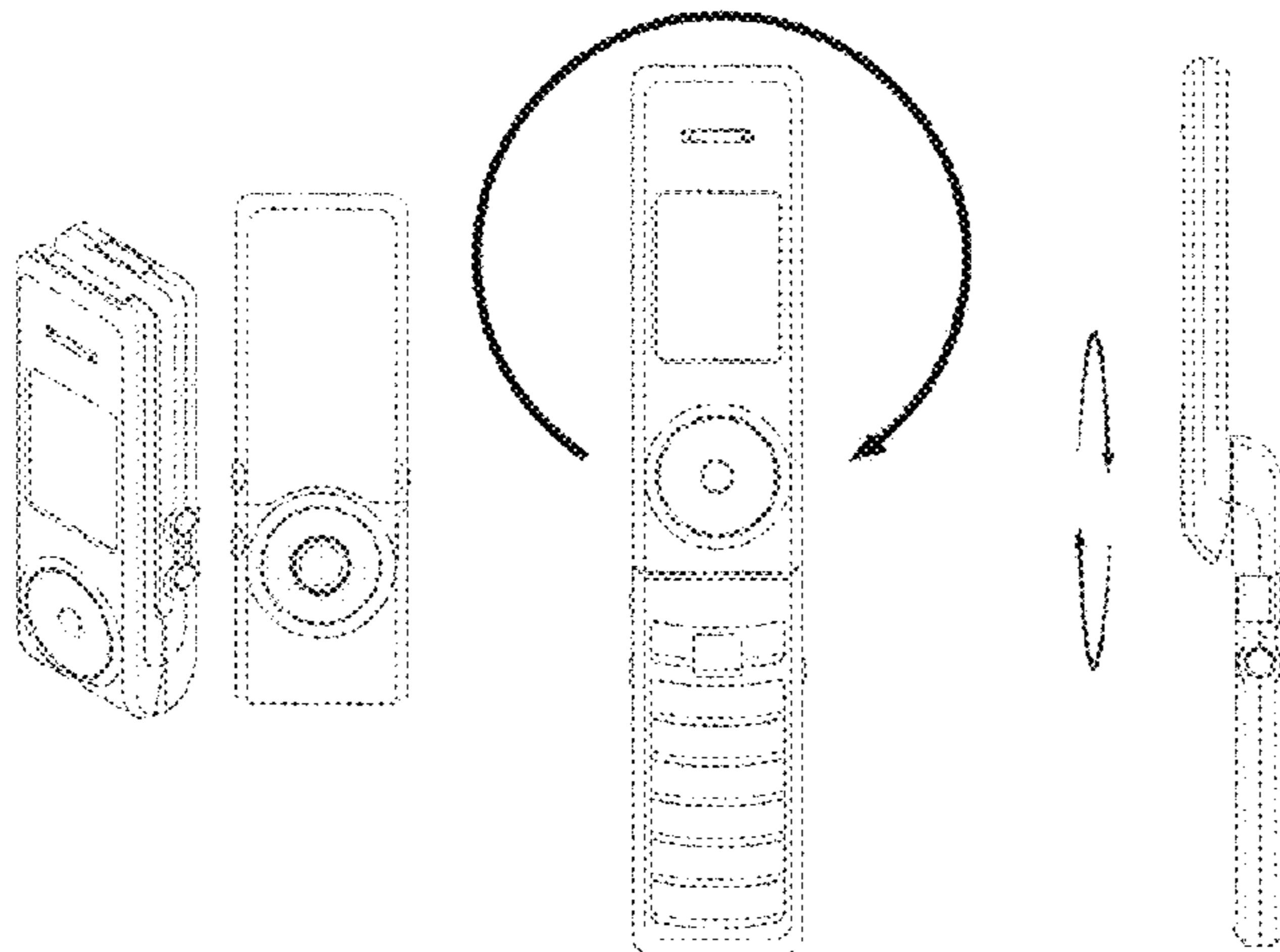
U.S. PATENT DOCUMENTS

D355,182 S *	2/1995	Namba	D14/138
D378,088 S *	2/1997	Ando	D14/138
6,377,818 B2 *	4/2002	Irube et al.	455/556.1
D473,207 S *	4/2003	Tanio	D14/168
D486,807 S *	2/2004	Takayama et al.	D14/137
D515,041 S *	2/2006	Yun et al.	D13/168
D525,959 S *	8/2006	Kim et al.	D14/138
D528,095 S *	9/2006	Kwon et al.	D14/138
D534,143 S *	12/2006	Lheem	D14/138
D534,145 S *	12/2006	Lheem	D14/138
D534,517 S *	1/2007	Cho et al.	D14/138
D534,891 S *	1/2007	Park et al.	D14/138
D535,274 S *	1/2007	Lee	D14/138
D535,637 S *	1/2007	Park et al.	D14/138
D535,968 S *	1/2007	Lee	D14/138
D536,690 S *	2/2007	Lee	D14/138
D537,058 S *	2/2007	Chauhan et al.	D14/138

DESCRIPTION

FIG. 1 is a perspective view of the portable phone showing our design;
FIG. 2 is a front view thereof;
FIG. 3 is a rear view thereof;
FIG. 4 is a left side view thereof;
FIG. 5 is a right side view thereof;
FIG. 6 is a top plan view thereof;
FIG. 7 is a bottom plan view thereof;
FIG. 8 is a front, open view thereof; and,
FIG. 9 is a left side, open view thereof.

1 Claim, 6 Drawing Sheets



US D553,113 S

Page 2

U.S. PATENT DOCUMENTS

7,194,289	B1 *	3/2007	Flores, Jr.	455/575.1					
2004/0127262	A1 *	7/2004	Ohno	455/566					
2004/0242288	A1 *	12/2004	Balle et al.	455/575.1					
2004/0253931	A1 *	12/2004	Bonnelykke et al.	455/90.3					
					2005/0014538	A1 *	1/2005	Hyun et al. 455/575.4	
					2005/0282597	A1 *	12/2005	Park et al. 455/575.4	
					2006/0045260	A1 *	3/2006	Inoue et al. 379/433.12	
					2007/0037618	A1 *	2/2007	Lee	455/575.4

* cited by examiner

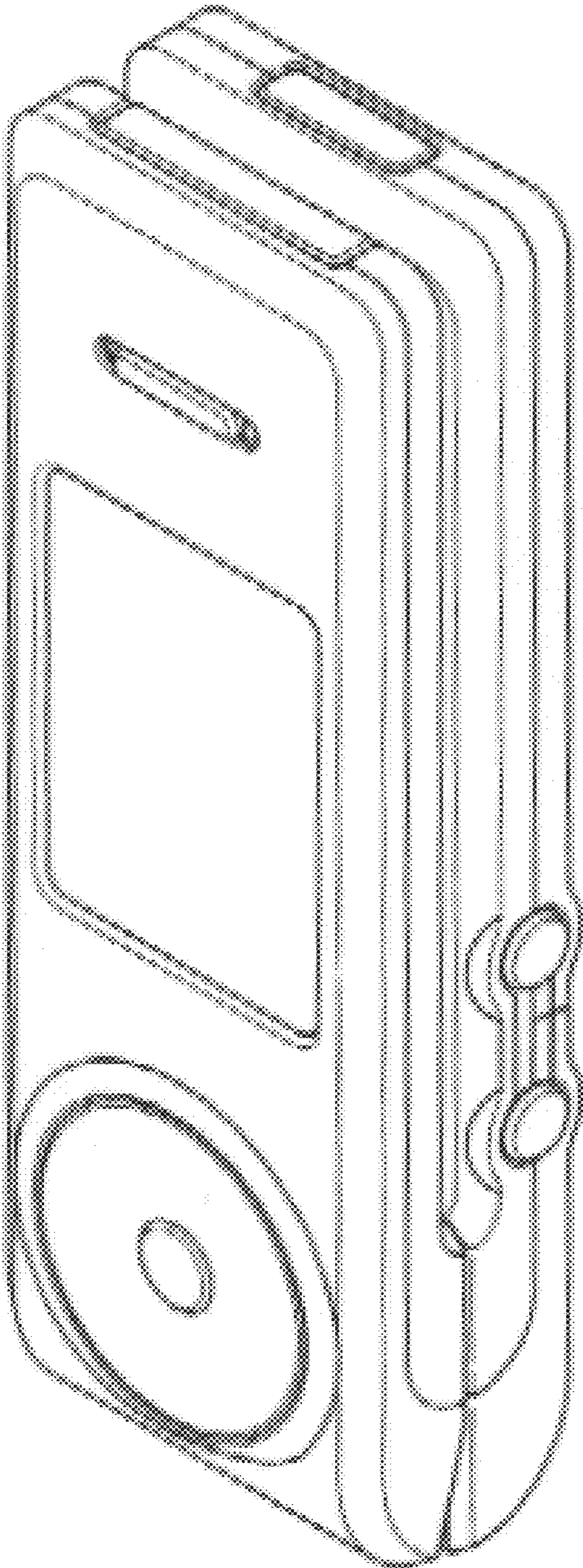


FIG. 1

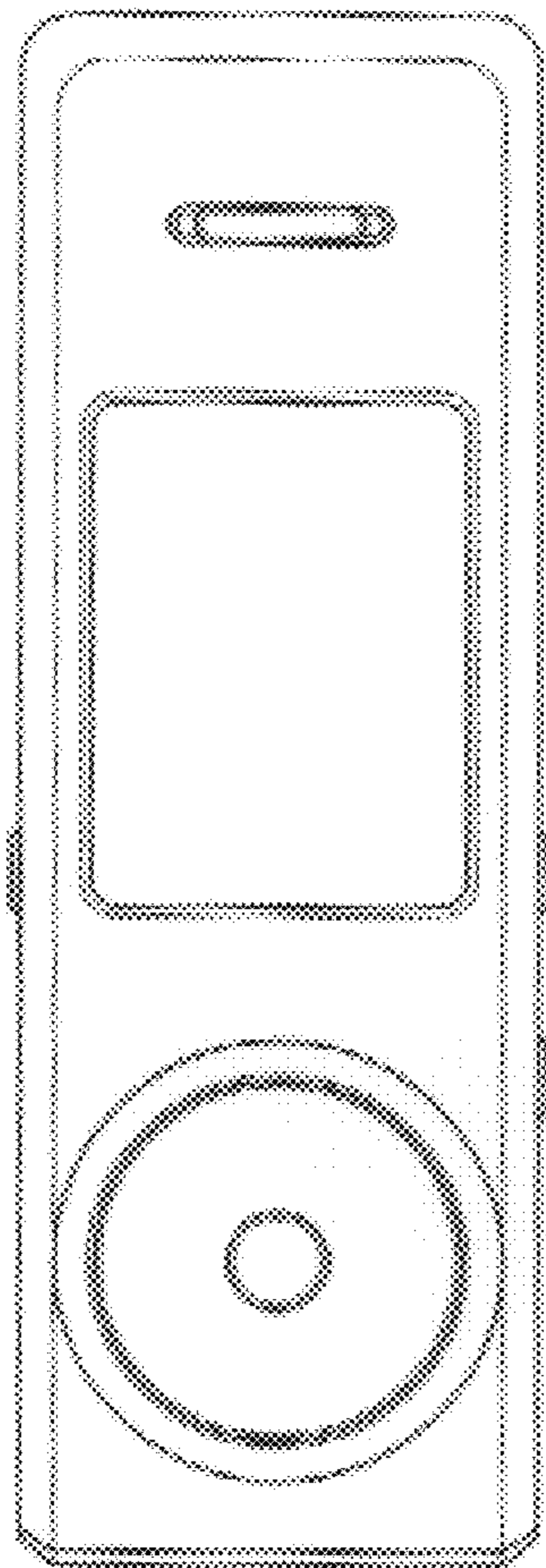


FIG. 2

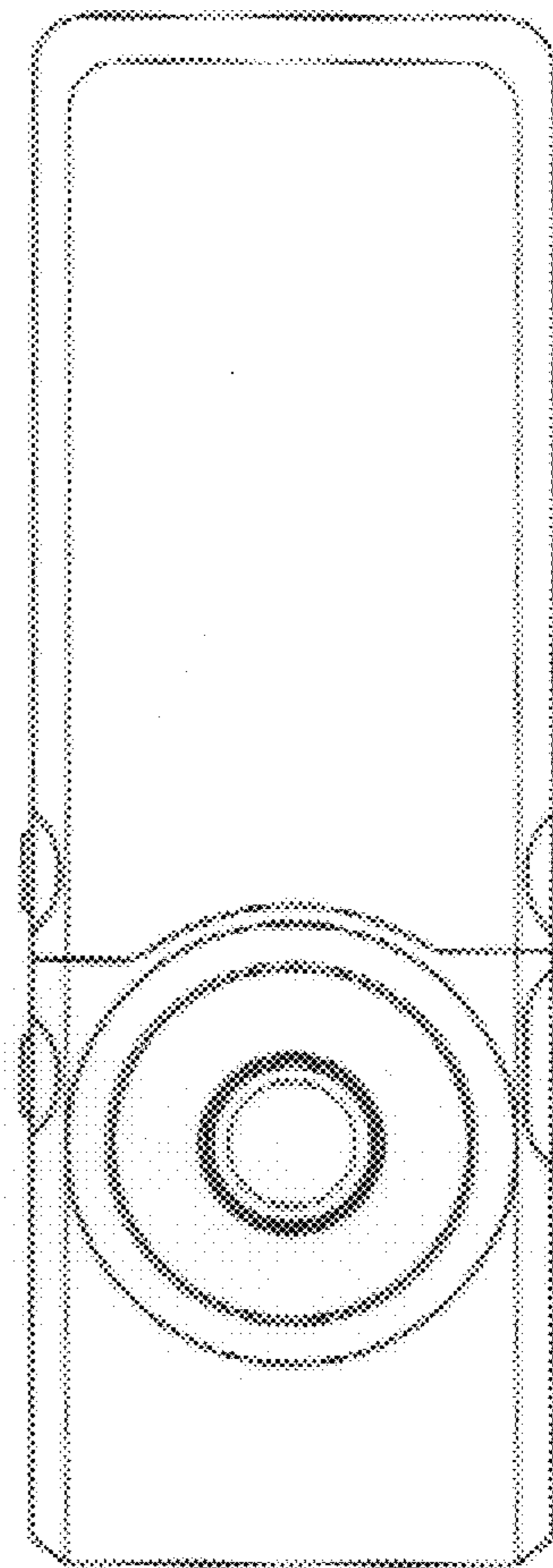


FIG. 3

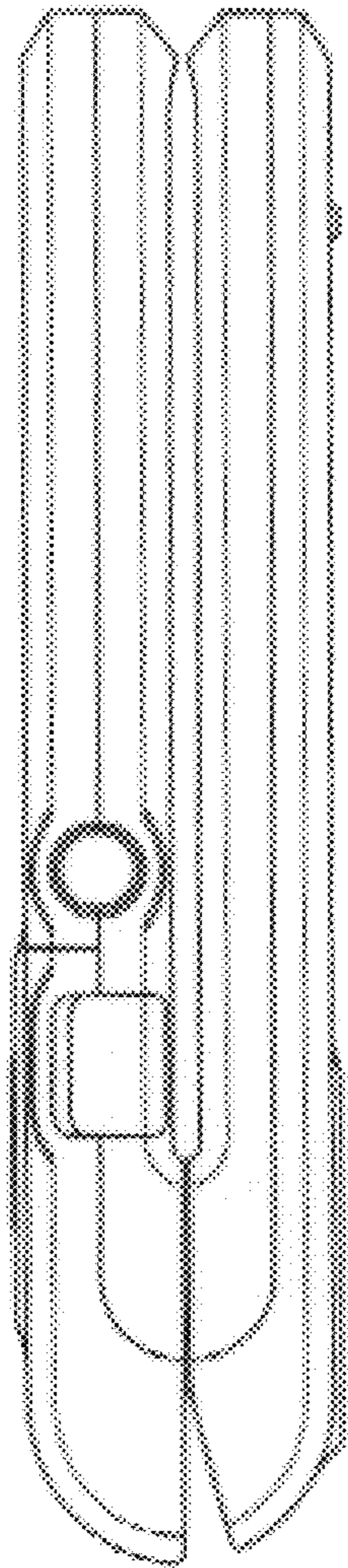


FIG. 4

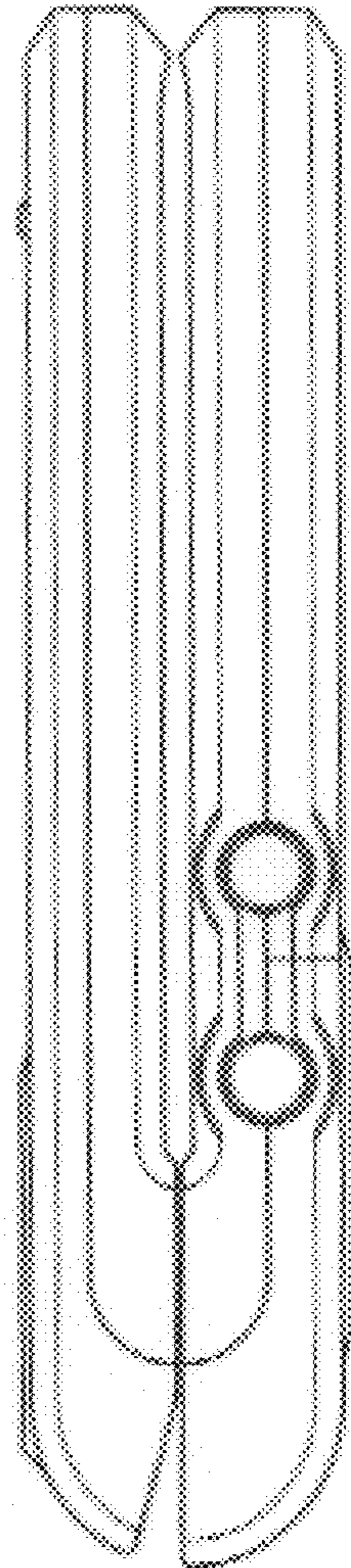


FIG. 5

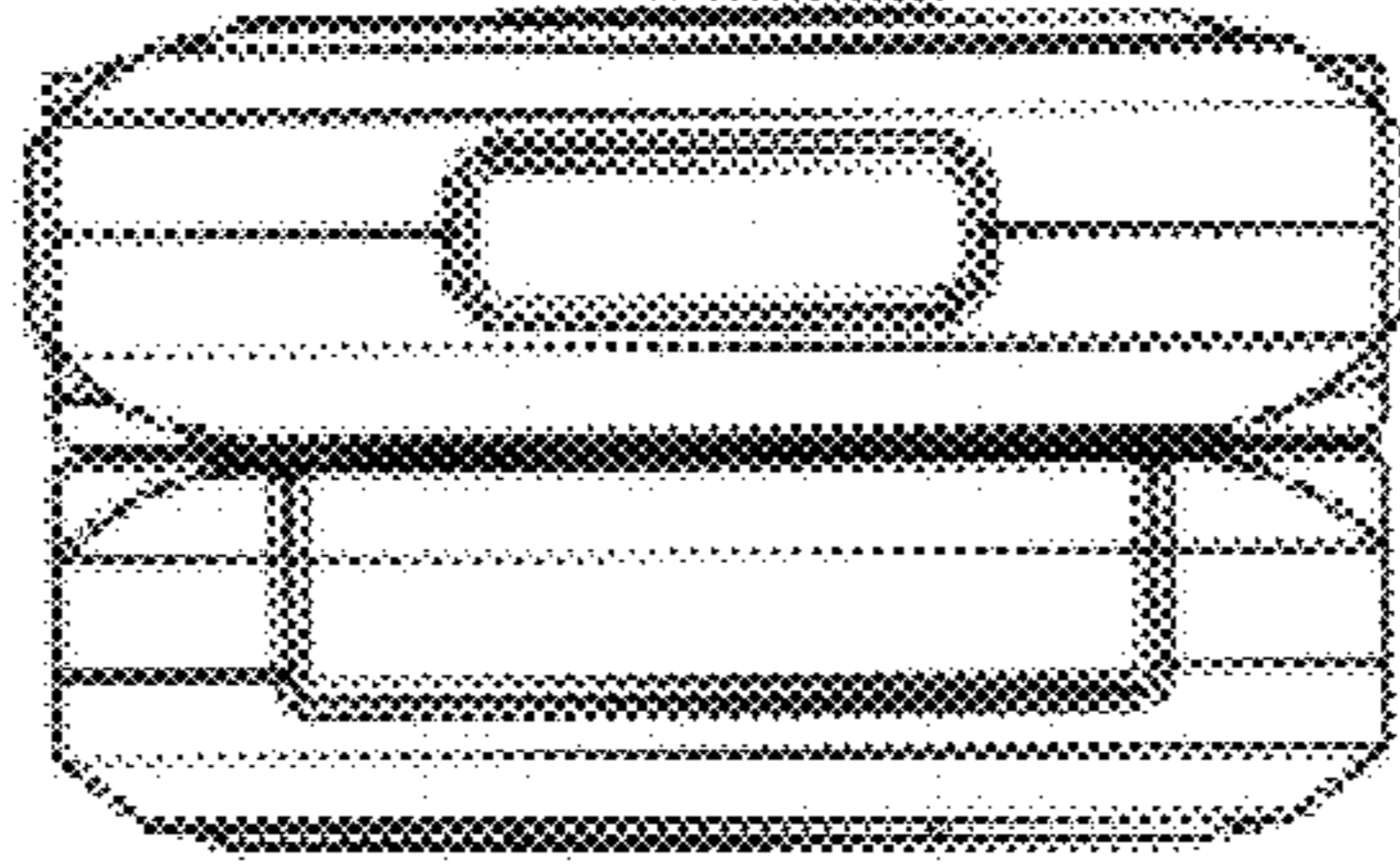


FIG. 6



FIG. 7

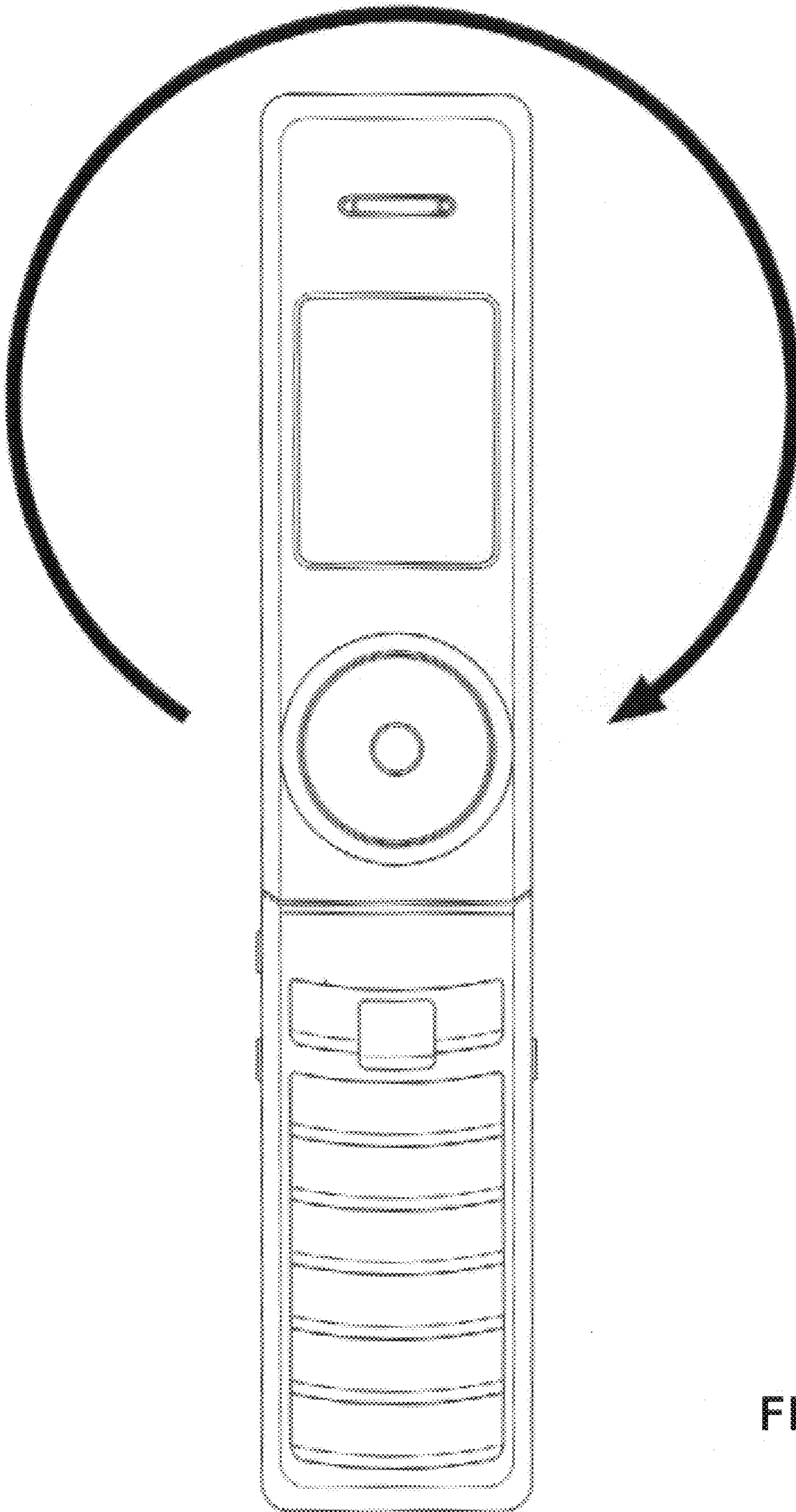


FIG. 8

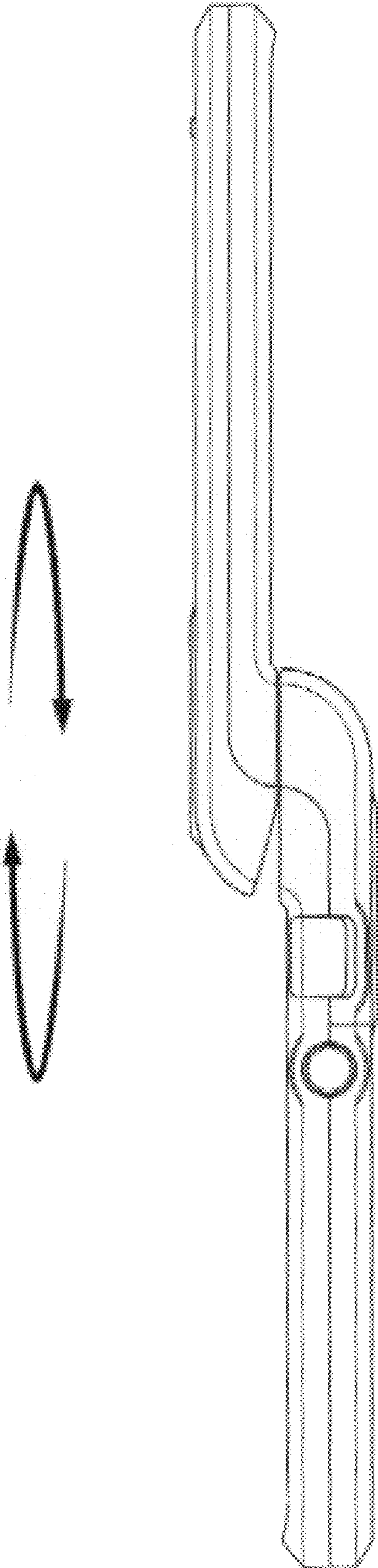


FIG. 9