



US00D996799S

(12) **United States Design Patent**
Wenger

(10) **Patent No.:** **US D996,799 S**

(45) **Date of Patent:** **** Aug. 29, 2023**

(54) **SPACER FOR SOCIAL DISTANCING**

(71) Applicant: **Julia Brufke Wenger**, Phoenixville, PA (US)

(72) Inventor: **Julia Brufke Wenger**, Phoenixville, PA (US)

(**) Term: **15 Years**

(21) Appl. No.: **29/738,133**

(22) Filed: **Jun. 15, 2020**

(51) **LOC (14) Cl.** **03-01**

(52) **U.S. Cl.**
USPC **D3/7**

(58) **Field of Classification Search**
USPC D3/5, 6, 7, 10, 12, 13, 14
CPC A45B 1/00; A45B 3/00; A45B 7/00; A45B 9/00; A45B 2009/005; A45B 2009/007; A45B 9/02; A45B 2200/05
See application file for complete search history.

(56) **References Cited**

U.S. PATENT DOCUMENTS

D54,727	S *	3/1920	Eisenstein	D3/7
D209,997	S *	1/1968	Velez Jr.	D3/7
D220,736	S *	5/1971	Bremshey	D3/11
D256,404	S *	8/1980	Barfod	D3/10
D292,346	S *	10/1987	Kolomeyer	D3/7
D297,887	S *	10/1988	Hattersley	D3/7
5,593,239	A *	1/1997	Sallee	E04H 12/182 403/377
D396,742	S *	8/1998	Raymond	D3/7
D503,035	S *	3/2005	Ko	D3/5
9,668,554	B2*	6/2017	Haythornthwaite et al.	A45B 25/22
10,030,681	B2*	7/2018	Lai	F16B 7/105
D829,479	S *	10/2018	Pinholster, Jr. et al.	..	D6/718.11
D881,550	S *	4/2020	Skuse	D3/7

D893,930	S *	8/2020	Sabbagh	D6/712
D973,643	S *	12/2022	Wang et al.	D14/229
2013/0233366	A1*	9/2013	Burgess et al.	E04H 15/62 135/120.1

* cited by examiner

Primary Examiner — Kelley A Donnelly
(74) *Attorney, Agent, or Firm* — DUANE MORRIS LLP

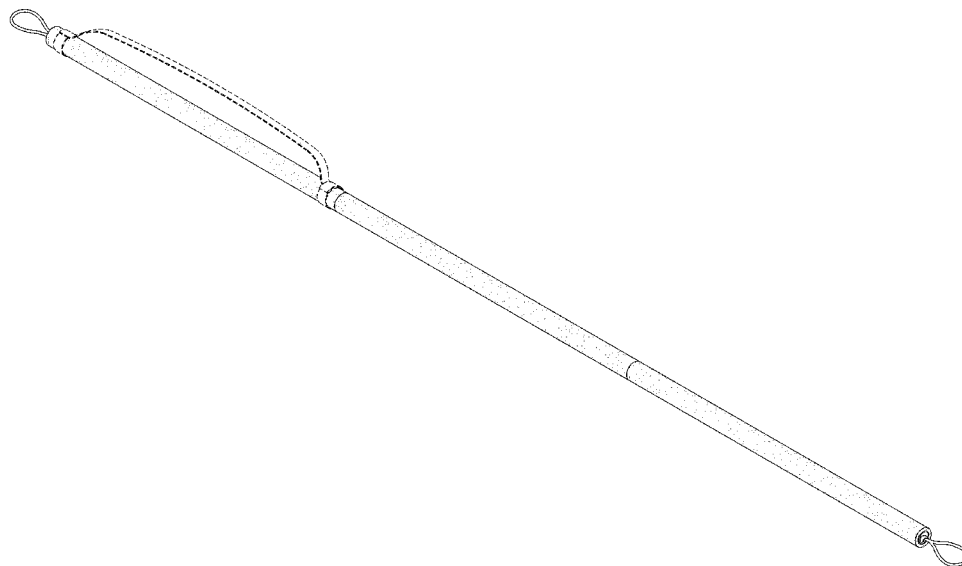
(57) **CLAIM**

The ornamental design of a “spacer for social distancing”, as shown and described.

DESCRIPTION

FIG. 1 is a top right perspective view of a spacer for social distancing, in the fully extended position;
 FIG. 2 is a right side orthogonal view thereof;
 FIG. 3 is a left side orthogonal view thereof;
 FIG. 4 is top orthogonal view thereof;
 FIG. 5 is a bottom orthogonal view thereof;
 FIG. 6 is a front orthogonal view thereof;
 FIG. 7 is a rear orthogonal view thereof;
 FIG. 8 is a top right perspective view of the spacer for social distancing of FIG. 1 in the closed position with a strap holding the loose ends together at the right distal end in linear alignment; and
 FIG. 9 is a top right perspective view of the spacer for social distancing of FIG. 1 in the closed position with a strap holding the loose ends together at the right distal end in a triangular alignment.
 The broken-lines of FIGS. 1-4 and FIGS. 6 and 7 represent a shoulder or hand strap and strap retention rings. The broken-lines of FIG. 5 represent strap retention rings. The broken-lines of FIG. 8 and FIG. 9 depict a shoulder or hand strap and strap retention rings and a strap for holding the distal ends of the stored spacer together. These broken-line portions form no part of the claimed design.

1 Claim, 5 Drawing Sheets



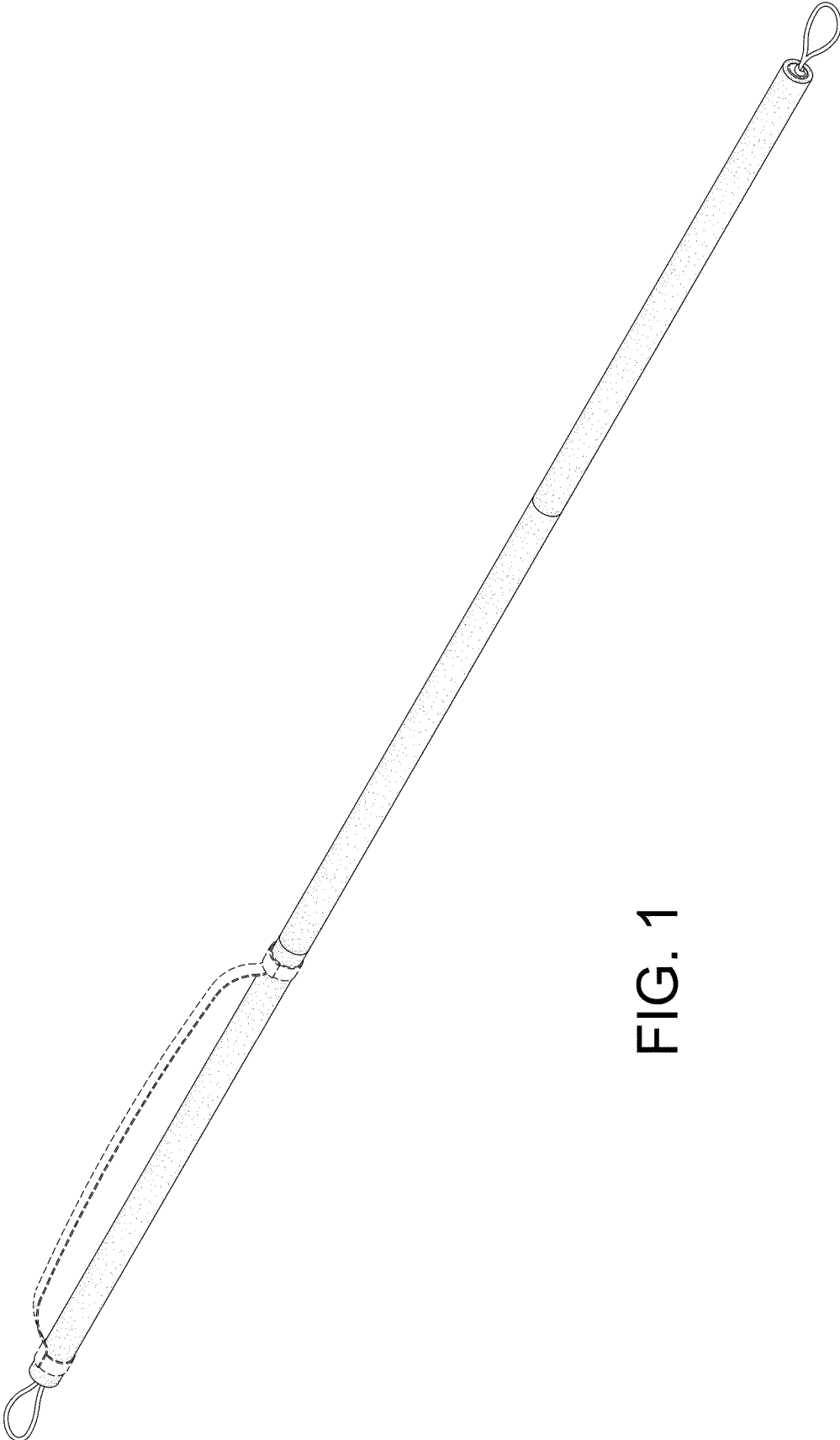


FIG. 1

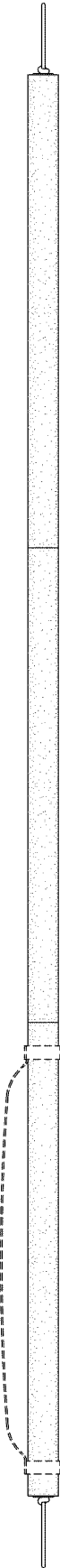


FIG. 2

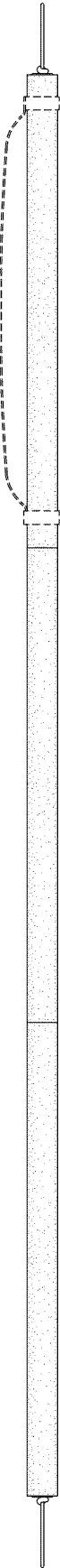


FIG. 3

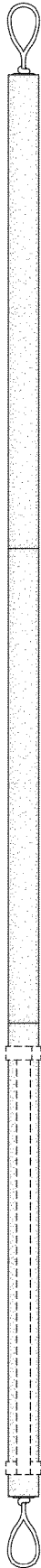


FIG. 4



FIG. 5



FIG. 7



FIG. 6

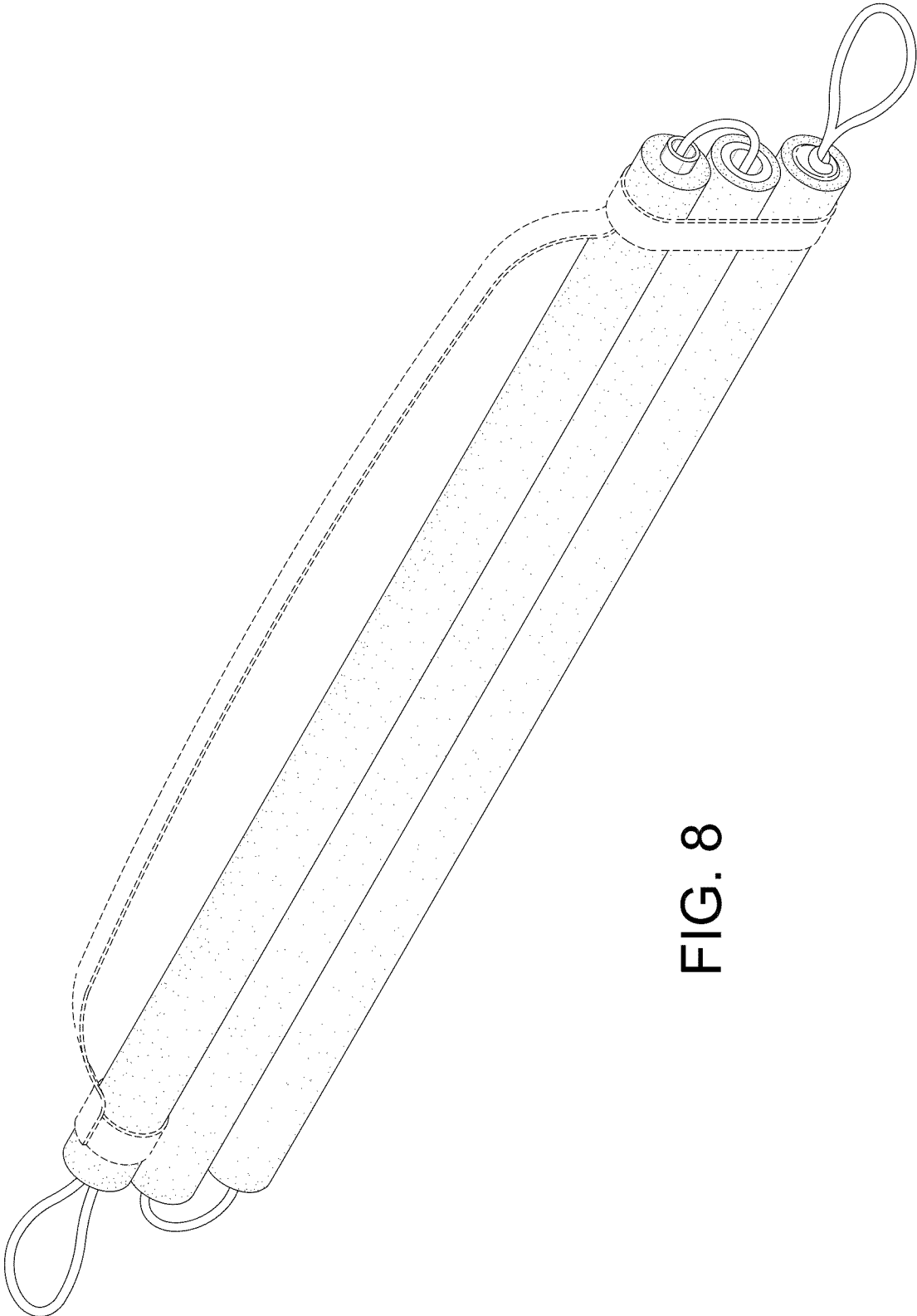


FIG. 8

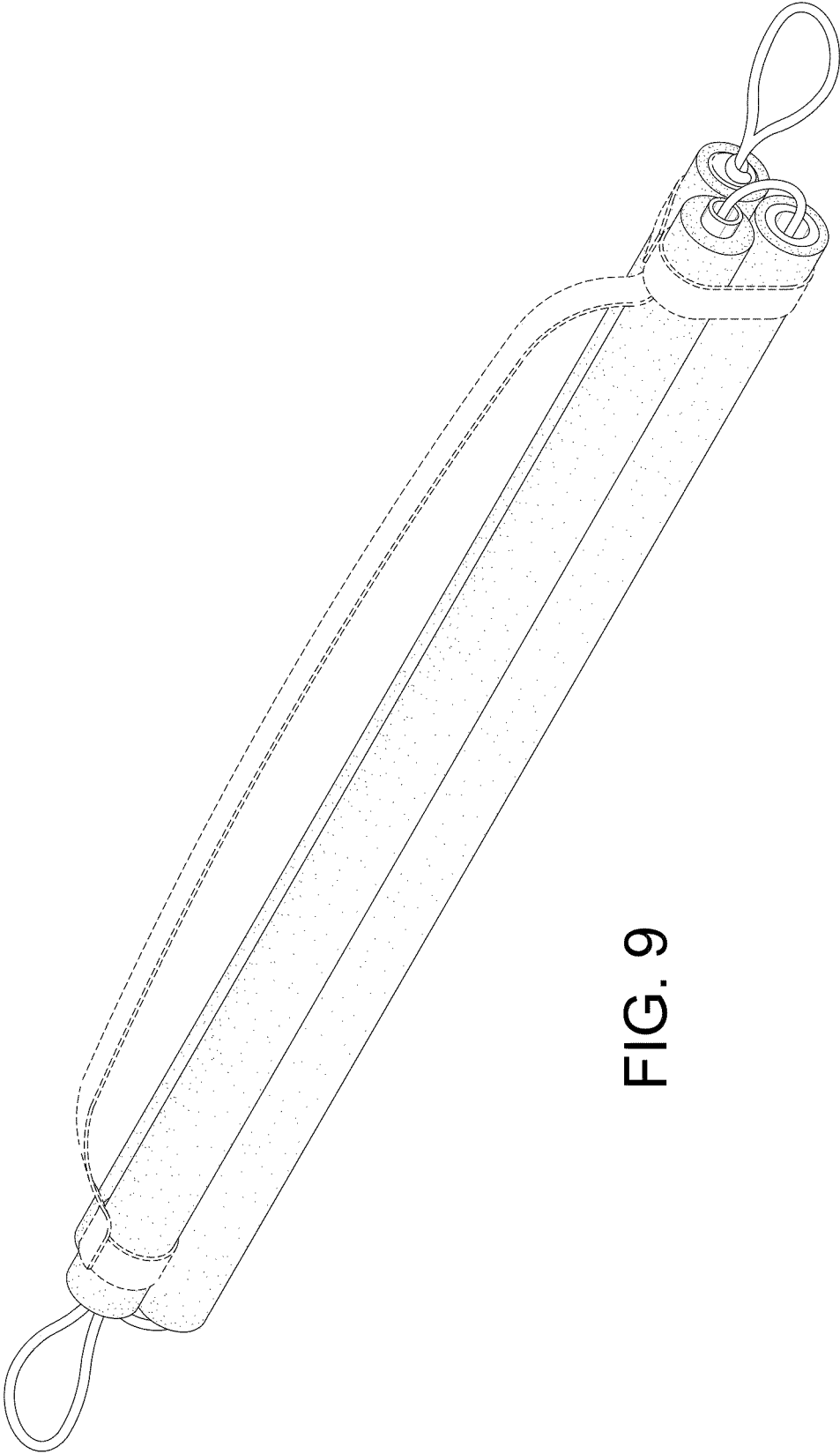


FIG. 9