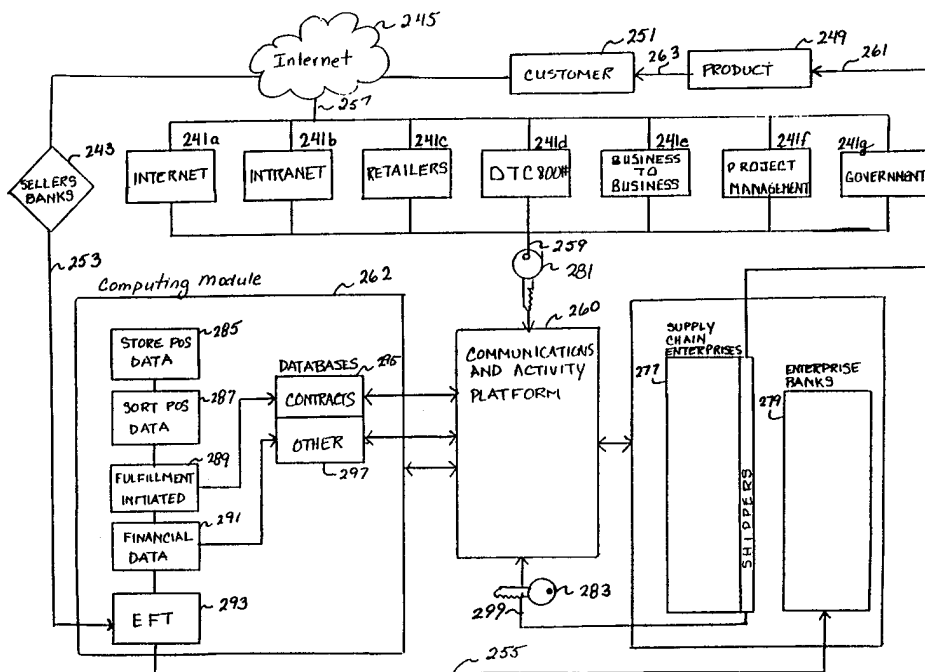




INTERNATIONAL APPLICATION PUBLISHED UNDER THE PATENT COOPERATION TREATY (PCT)

<p>(51) International Patent Classification ⁶ : G06F 17/60</p>	<p>A3</p>	<p>(11) International Publication Number: WO 98/34167 (43) International Publication Date: 6 August 1998 (06.08.98)</p>
<p>(21) International Application Number: PCT/US98/00970 (22) International Filing Date: 21 January 1998 (21.01.98) (30) Priority Data: 08/792,925 21 January 1997 (21.01.97) US (63) Related by Continuation (CON) or Continuation-in-Part (CIP) to Earlier Application US 08/792,925 (CIP) Filed on 21 January 1997 (21.01.97) (71)(72) Applicant and Inventor: WEBBER, Donald, Gary, Jr. [US/US]; 4 Glacier, Mount Baldy, CA 91759-0820 (US). (74) Agents: SCHILL, Charles, F. et al.; Foley & Lardner, Suite 500, 3000 K Street, N.W., Washington, DC 20007-5109 (US).</p>	<p>(81) Designated States: AL, AM, AT, AU, AZ, BA, BB, BG, BR, BY, CA, CH, CN, CU, CZ, DE, DK, EE, ES, FI, GB, GE, GH, GM, GW, HU, ID, IL, IS, JP, KE, KG, KP, KR, KZ, LC, LK, LR, LS, LT, LU, LV, MD, MG, MK, MN, MW, MX, NO, NZ, PL, PT, RO, RU, SD, SE, SG, SI, SK, SL, TJ, TM, TR, TT, UA, UG, US, UZ, VN, YU, ZW, ARIPO patent (GH, GM, KE, LS, MW, SD, SZ, UG, ZW), Eurasian patent (AM, AZ, BY, KG, KZ, MD, RU, TJ, TM), European patent (AT, BE, CH, DE, DK, ES, FI, FR, GB, GR, IE, IT, LU, MC, NL, PT, SE), OAPI patent (BF, BJ, CF, CG, CI, CM, GA, GN, ML, MR, NE, SN, TD, TG). Published <i>With international search report.</i> (88) Date of publication of the international search report: 22 October 1998 (22.10.98)</p>	

(54) Title: AUTOMATED BACK OFFICE TRANSACTION METHOD AND SYSTEM



(57) Abstract

Digital contracts (295) are programmed to reflect the intended activity or operations of the parties (251, 501a, 503, 519a) in connection with their purposes. Those contracts (295) can be drafted, ratified, and stored by parties situated at any global location, so that the contracts operate on a centralized platform (260, 262), whereby computational activity is initiated based on the occurrence of events independent of the system. Briefly, the device provides the framework within which contracts (295) operate when triggered by events in order to automatically perform their intended and programmed purposes. In part, the contracts (295) and the instructions regarding functions contained within contracts (295) are linked based on their common purposes, that is, specific products or services. Instructions and data are automatically disseminated among the parties by a system which can be as simple as an Internet connection (241a), as well as other connections. The method and system make it possible to culminate with automatic payment to the parties.

FOR THE PURPOSES OF INFORMATION ONLY

Codes used to identify States party to the PCT on the front pages of pamphlets publishing international applications under the PCT.

AL	Albania	ES	Spain	LS	Lesotho	SI	Slovenia
AM	Armenia	FI	Finland	LT	Lithuania	SK	Slovakia
AT	Austria	FR	France	LU	Luxembourg	SN	Senegal
AU	Australia	GA	Gabon	LV	Latvia	SZ	Swaziland
AZ	Azerbaijan	GB	United Kingdom	MC	Monaco	TD	Chad
BA	Bosnia and Herzegovina	GE	Georgia	MD	Republic of Moldova	TG	Togo
BB	Barbados	GH	Ghana	MG	Madagascar	TJ	Tajikistan
BE	Belgium	GN	Guinea	MK	The former Yugoslav Republic of Macedonia	TM	Turkmenistan
BF	Burkina Faso	GR	Greece	ML	Mali	TR	Turkey
BG	Bulgaria	HU	Hungary	MN	Mongolia	TT	Trinidad and Tobago
BJ	Benin	IE	Ireland	MR	Mauritania	UA	Ukraine
BR	Brazil	IL	Israel	MW	Malawi	UG	Uganda
BY	Belarus	IS	Iceland	MX	Mexico	US	United States of America
CA	Canada	IT	Italy	NE	Niger	UZ	Uzbekistan
CF	Central African Republic	JP	Japan	NL	Netherlands	VN	Viet Nam
CG	Congo	KE	Kenya	NO	Norway	YU	Yugoslavia
CH	Switzerland	KG	Kyrgyzstan	NZ	New Zealand	ZW	Zimbabwe
CI	Côte d'Ivoire	KP	Democratic People's Republic of Korea	PL	Poland		
CM	Cameroon	KR	Republic of Korea	PT	Portugal		
CN	China	KZ	Kazakstan	RO	Romania		
CU	Cuba	LC	Saint Lucia	RU	Russian Federation		
CZ	Czech Republic	LI	Liechtenstein	SD	Sudan		
DE	Germany	LK	Sri Lanka	SE	Sweden		
DK	Denmark	LR	Liberia	SG	Singapore		
EE	Estonia						

INTERNATIONAL SEARCH REPORT

International application No.
PCT/US98/00970

A. CLASSIFICATION OF SUBJECT MATTER

IPC(6) : G06F 17/60
US CL : 705/001

According to International Patent Classification (IPC) or to both national classification and IPC

B. FIELDS SEARCHED

Minimum documentation searched (classification system followed by classification symbols)

U.S. : 705/001, 026, 027; 707/104, 200, 500

Documentation searched other than minimum documentation to the extent that such documents are included in the fields searched

Electronic data base consulted during the international search (name of data base and, where practicable, search terms used)

APS Search ((automat? or comput? or ?processor?) (5w) (generat? or creat?) (5w) (contract# or document# or invoice#))

C. DOCUMENTS CONSIDERED TO BE RELEVANT

Category*	Citation of document, with indication, where appropriate, of the relevant passages	Relevant to claim No.
Y	US 4,799,156 A (SHAVIT et al) 17 January 1989, col. 1, line 1 through col. 18 line 22.	1-22
Y	US 5,031,214 A (DZIEWIT et al) 09 July 1991, col. 1, line 1 through col. 7 line 19.	1-22
A	US 5,319,542 A (KING, JR. et al) 07 June 1994, see abstract.	1-22
A	US 4,887,208 A (SCHNEIDER et al) 12 December 1989, see abstract.	1-22
A, P	US 5,677,955 A (DOGGETT et al) 14 October 1997, see abstract.	5, 6, 11, 17, 18, 22
A	US 5,362,948 A (MORIMOTO) 08 November 1994, see abstract.	1-22

Further documents are listed in the continuation of Box C. See patent family annex.

* Special categories of cited documents:	"T" later document published after the international filing date or priority date and not in conflict with the application but cited to understand the principle or theory underlying the invention
"A" document defining the general state of the art which is not considered to be of particular relevance	"X" document of particular relevance; the claimed invention cannot be considered novel or cannot be considered to involve an inventive step when the document is taken alone
"E" earlier document published on or after the international filing date	"Y" document of particular relevance; the claimed invention cannot be considered to involve an inventive step when the document is combined with one or more other such documents, such combination being obvious to a person skilled in the art
"L" document which may throw doubts on priority claim(s) or which is cited to establish the publication date of another citation or other special reason (as specified)	"&" document member of the same patent family
"O" document referring to an oral disclosure, use, exhibition or other means	
"P" document published prior to the international filing date but later than the priority date claimed	

Date of the actual completion of the international search

23 APRIL 1998

Date of mailing of the international search report

30 JUL 1998

Name and mailing address of the ISA/US
Commissioner of Patents and Trademarks
Box PCT
Washington, D.C. 20231

Facsimile No. (703) 305-3230

Authorized officer
Gail Hayes
Gail Hayes

Telephone No. (703) 305-9711

INTERNATIONAL SEARCH REPORT

International application No.
PCT/US98/00970

C (Continuation). DOCUMENTS CONSIDERED TO BE RELEVANT

Category*	Citation of document, with indication, where appropriate, of the relevant passages	Relevant to claim No.
A, P	US 5,694,551 A (DOYLE et al) 02 December 1997, see abstract.	1-22
A	US 5,163,091 A (GRAZIANO et al) 10 November 1992, see abstract.	12
A, P	US 5,634,016 A (STEADHAM, JR. et al) 27 May 1997, see abstract, col. 1, lines 53-61.	1-22
A	US 5,272,623 A (GRUBB et al] 21 December 1993 see abstract	1-22