



- (51) International Patent Classification:
A61F 2/30 (2006.01) *A61D 99/00* (2006.01)
- (21) International Application Number:
PCT/IB2014/001242
- (22) International Filing Date:
10 March 2014 (10.03.2014)
- (25) Filing Language: English
- (26) Publication Language: English
- (30) Priority Data:
61/776,735 11 March 2013 (11.03.2013) US
61/778,324 12 March 2013 (12.03.2013) US
- (71) Applicant: **EMBARK ENTERPRISES, INC.** [CA/CA];
Box 27 Site 9 RR 2, Sundre, AB T0M 1X0 (CA).
- (72) Inventors: **EMBLETON, Neil**; Box 27 Site 9 RR 2, Sundre, AB T0M 1X0 (CA). **BARKOWSKI, Veronica**; Box 27 Site 9 RR 2, Sundre, AB T0M 1X0 (CA).
- (74) Agent: **VICKERS, Mark, F.**; Borden Ladner Gervais LLP, World Exchange Plaza, 100 Queen Street, Suite 1300, Ottawa, Ontario K1P 1J9 (CA).
- (81) Designated States (*unless otherwise indicated, for every kind of national protection available*): AE, AG, AL, AM,

AO, AT, AU, AZ, BA, BB, BG, BH, BN, BR, BW, BY, BZ, CA, CH, CL, CN, CO, CR, CU, CZ, DE, DK, DM, DO, DZ, EC, EE, EG, ES, FI, GB, GD, GE, GH, GM, GT, HN, HR, HU, ID, IL, IN, IR, IS, JP, KE, KG, KN, KP, KR, KZ, LA, LC, LK, LR, LS, LT, LU, LY, MA, MD, ME, MG, MK, MN, MW, MX, MY, MZ, NA, NG, NI, NO, NZ, OM, PA, PE, PG, PH, PL, PT, QA, RO, RS, RU, RW, SA, SC, SD, SE, SG, SK, SL, SM, ST, SV, SY, TH, TJ, TM, TN, TR, TT, TZ, UA, UG, US, UZ, VC, VN, ZA, ZM, ZW.

- (84) Designated States (*unless otherwise indicated, for every kind of regional protection available*): ARIPO (BW, GH, GM, KE, LR, LS, MW, MZ, NA, RW, SD, SL, SZ, TZ, UG, ZM, ZW), Eurasian (AM, AZ, BY, KG, KZ, RU, TJ, TM), European (AL, AT, BE, BG, CH, CY, CZ, DE, DK, EE, ES, FI, FR, GB, GR, HR, HU, IE, IS, IT, LT, LU, LV, MC, MK, MT, NL, NO, PL, PT, RO, RS, SE, SI, SK, SM, TR), OAPI (BF, BJ, CF, CG, CI, CM, GA, GN, GQ, GW, KM, ML, MR, NE, SN, TD, TG).

Published:

— with international search report (Art. 21(3))

- (88) Date of publication of the international search report:

8 January 2015

(54) Title: QUADRUPED STIFLE STABILIZATION SYSTEM

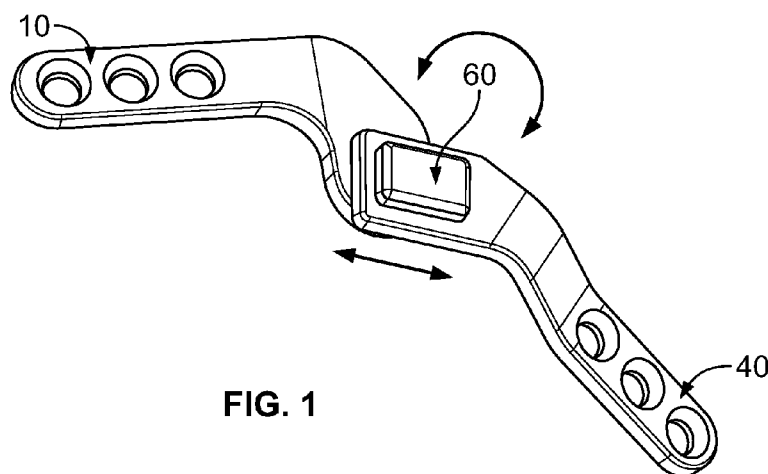


FIG. 1

(57) Abstract: A stifle stabilization system is provided herein. The system comprising a femoral component having a leg portion and bottom portion, the bottom portion including an interconnected coupling member protruding therefrom, an articular sliding insert component defining a channel corresponding in size and shape to at least part of the coupling member, and a tibial component having a first proximal planar portion defining a slot, the slot being of corresponding and complementary shape to the articular sliding insert component to receive the articular sliding insert component therein, wherein, when the channel receives the at least part of the coupling member and the articular sliding insert component is received in the slot of the tibial component, the tibial component is interlocked with the femoral component with translational and rotational movement therebetween.



INTERNATIONAL SEARCH REPORT

International application No.

PCT/IB2014/001242

A. CLASSIFICATION OF SUBJECT MATTER
 IPC: *A61F 2/30* (2006.01), *A61D 99/00* (2006.01)

According to International Patent Classification (IPC) or to both national classification and IPC

B. FIELDS SEARCHED

Minimum documentation searched (classification system followed by classification symbols)
 IPC8: A61F 2/38; A61F 2/30; A61D 99/00

Documentation searched other than minimum documentation to the extent that such documents are included in the fields searched

Electronic database(s) consulted during the international search (name of database(s) and, where practicable, search terms used)

TotalPatent; Canadian Patent Database.

Keywords: implant, prosthesis, quadruped, canine, dog, stifle, femur, femoral

C. DOCUMENTS CONSIDERED TO BE RELEVANT

Category*	Citation of document, with indication, where appropriate, of the relevant passages	Relevant to claim No.
X Y	US20050055100A1 (LEWIS, R.H. et al.) 10 March 2005 (10-03-2005) *[0017]; Figures*	19-21 1-3, 6-11, 13, 15-18, 23
Y	US8142510B2 (LEE, J.S. et al.) 27 March 2012 (27-03-2012) *col. 10, lines 29-31; col. 13, lines 42-48; Figure 18*	1-3, 6-11, 13, 15-18, 23
A	US2004/0220675A1 (LEWIS, R.H. et al.) 04 November 2004 (04-11-2004) *Whole document*	1-23

Further documents are listed in the continuation of Box C.

See patent family annex.

* "A" "E" "L" "O" "P"	Special categories of cited documents: document defining the general state of the art which is not considered to be of particular relevance earlier application or patent but published on or after the international filing date document which may throw doubts on priority claim(s) or which is cited to establish the publication date of another citation or other special reason (as specified) document referring to an oral disclosure, use, exhibition or other means document published prior to the international filing date but later than the priority date claimed	"T" "X" "Y" "&"	later document published after the international filing date or priority date and not in conflict with the application but cited to understand the principle or theory underlying the invention document of particular relevance; the claimed invention cannot be considered novel or cannot be considered to involve an inventive step when the document is taken alone document of particular relevance; the claimed invention cannot be considered to involve an inventive step when the document is combined with one or more other such documents, such combination being obvious to a person skilled in the art document member of the same patent family
--------------------------------------	--	--------------------------	--

Date of the actual completion of the international search
 06 October 2014 (06-10-2014)

Date of mailing of the international search report
 23 October 2014 (23-10-2014)

Name and mailing address of the ISA/CA
 Canadian Intellectual Property Office
 Place du Portage I, C114 - 1st Floor, Box PCT
 50 Victoria Street
 Gatineau, Quebec K1A 0C9
 Facsimile No.: 001-819-953-2476

Authorized officer
 Robilyn Vanos (819) 934-4260

INTERNATIONAL SEARCH REPORT
Information on patent family members

International application No.

PCT/IB2014/001242

Patent Document Cited in Search Report	Publication Date	Patent Family Member(s)	Publication Date
US20050055100A1	2005-03-10	NONE	
US8142510B2	2012-03-27	JP5410028B2 CN101301231B DE602008003701D1 AT489918T EP1974696B1 IN631KOL.2008A CN101301231A JP2008253772A AU2008201470A1 US20080243260A1 EP1974696A1	2014-02-05 2012-08-15 2011-01-13 2010-12-15 2010-12-01 2009-05-08 2008-11-12 2008-10-23 2008-10-16 2008-10-02 2008-10-01
US20040220675A1	2004-11-04	NONE	