



US00D656555S

(12) **United States Design Patent**  
**Zenri et al.**

(10) **Patent No.:** **US D656,555 S**

(45) **Date of Patent:** **\*\* Mar. 27, 2012**

(54) **ELECTRONIC COMPUTER STAND**

(75) Inventors: **Yuko Zenri**, Kyoto (JP); **Hideaki Kamata**, Kyoto (JP)

(73) Assignee: **Nintendo Co., Ltd.**, Kyoto (JP)

(\*\*) Term: **14 Years**

(21) Appl. No.: **29/380,751**

(22) Filed: **Dec. 10, 2010**

(30) **Foreign Application Priority Data**

Jun. 11, 2010 (JP) ..... 2010-014467  
Nov. 22, 2010 (JP) ..... 2010-027962

(51) **LOC (9) Cl.** ..... **21-01**

(52) **U.S. Cl.** ..... **D21/333**

(58) **Field of Classification Search** ..... D21/324–333,  
D21/369, 385; 273/148 B, 148 R, 461; D14/495,  
D14/338, 339, 348, 356, 432, 433, 471, 474,  
D14/137, 160, 168, 188–181, 203.1–203.8,  
D14/219, 265, 257; 345/156–161, 1.1;  
455/344–351; 369/6–12; 463/1, 29–35,  
463/46, 47; 16/321, 337; 248/176.1, 915,  
248/921; 285/188, 231–234, 304, 330

See application file for complete search history.

(56) **References Cited**

**U.S. PATENT DOCUMENTS**

4,542,103 A \* 9/1985 Adams ..... 436/534  
5,168,423 A \* 12/1992 Ohgami et al. .... 361/679.07  
5,873,554 A \* 2/1999 Nobuchi ..... 248/278.1  
6,498,721 B1 \* 12/2002 Kim ..... 361/679.06  
6,587,333 B2 \* 7/2003 Tseng et al. .... 361/679.05  
D484,918 S \* 1/2004 Okada et al. .... D21/330  
6,771,494 B2 \* 8/2004 Shimano ..... 361/679.06  
6,958,902 B2 \* 10/2005 Tseng et al. .... 361/679.06  
D524,870 S \* 7/2006 Sugino et al. .... D21/330  
D532,051 S \* 11/2006 Sugino et al. .... D21/330  
D543,246 S \* 5/2007 Ashida et al.  
D555,667 S \* 11/2007 Hussaini et al. .... D14/496

D556,836 S 12/2007 Ashida et al.  
D574,383 S 8/2008 Maruyama et al.  
D575,350 S 8/2008 Ashida et al.  
D582,486 S 12/2008 Ashida et al.

(Continued)

**FOREIGN PATENT DOCUMENTS**

AU 155141 12/2009

**OTHER PUBLICATIONS**

Russian Official Action (w/English translation) dated May 11, 2011 for Application No. 2010503597, filed Sep. 12, 2010. The translated Official Action is relied upon as a statement of relevance regarding the AU registration.

*Primary Examiner* — Prabhakar Deshmukh

(74) *Attorney, Agent, or Firm* — Nixon & Vanderhye, P.C.

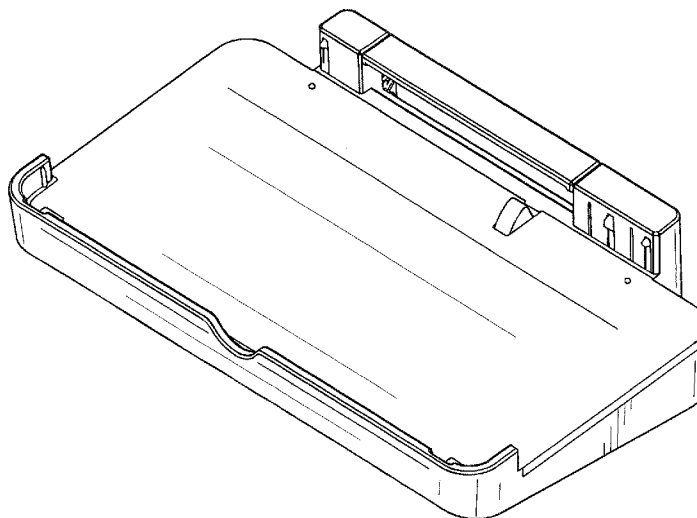
(57) **CLAIM**

The ornamental design for an electronic computer stand, as shown and described.

**DESCRIPTION**

FIG. 1 is a front, right and bottom perspective view of an electronic computer stand showing our new design; FIG. 2 is a rear, left and top perspective view thereof; FIG. 3 is a front elevational view thereof; FIG. 4 is a rear elevational view thereof; FIG. 5 is a top plan view thereof; FIG. 6 is a bottom plan view thereof; FIG. 7 is a left side elevational view thereof; FIG. 8 is a right side elevational view thereof; FIG. 9 is a perspective view thereof, shown in alternate position with an open and close portion shown in an open position; and, FIG. 10 is a perspective view thereof, shown the article in its environmental use. The broken lines environment is for illustrative purpose only and forms no part of the claimed design.

**1 Claim, 4 Drawing Sheets**



# US D656,555 S

Page 2

---

## U.S. PATENT DOCUMENTS

D588,139 S 3/2009 Fujino et al.  
D589,962 S 4/2009 Maruyama et al.  
D589,965 S 4/2009 Ashida et al.  
D598,920 S 8/2009 Fujino et al.

D605,233 S 12/2009 Ashida et al.  
D607,946 S \* 1/2010 Ehara et al. .... D21/330  
D641,049 S \* 7/2011 Ehara et al. .... D21/330

\* cited by examiner

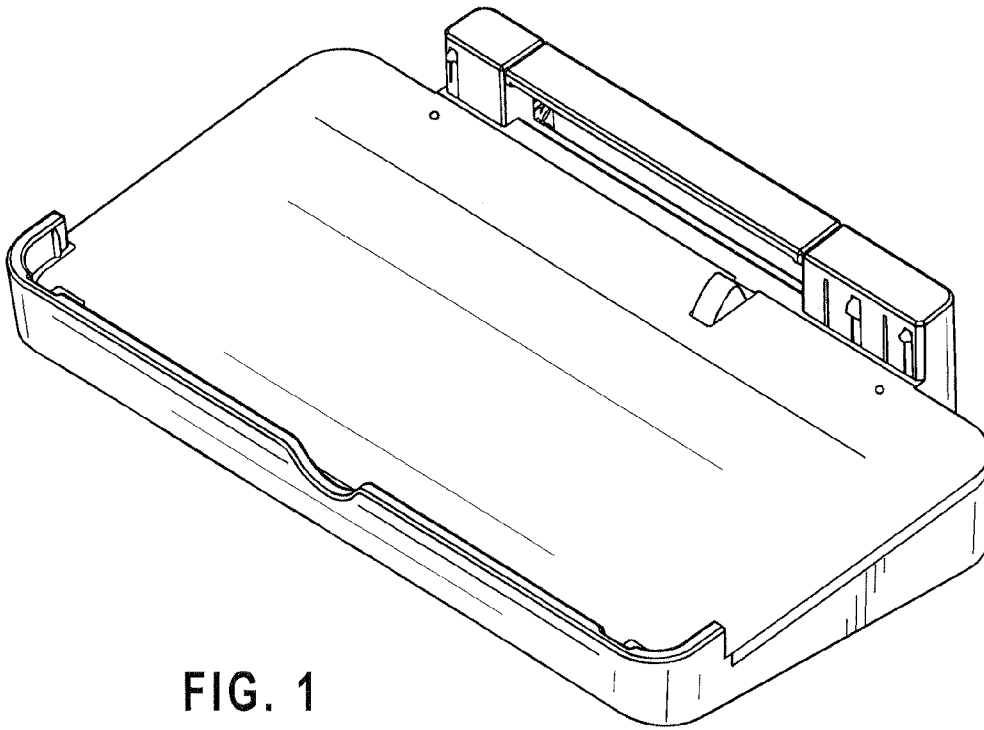


FIG. 1

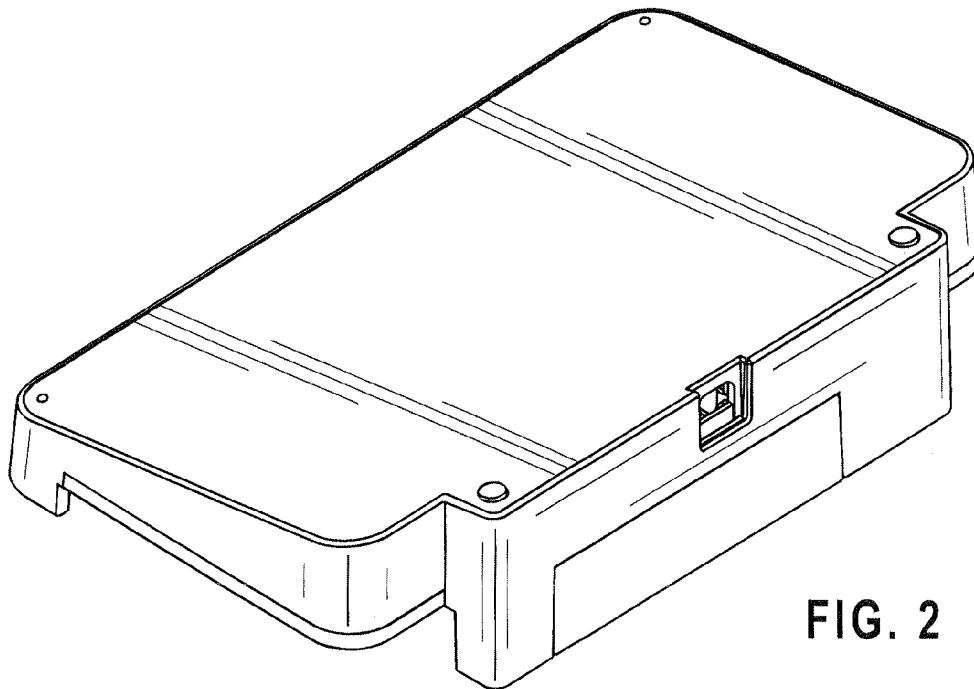


FIG. 2

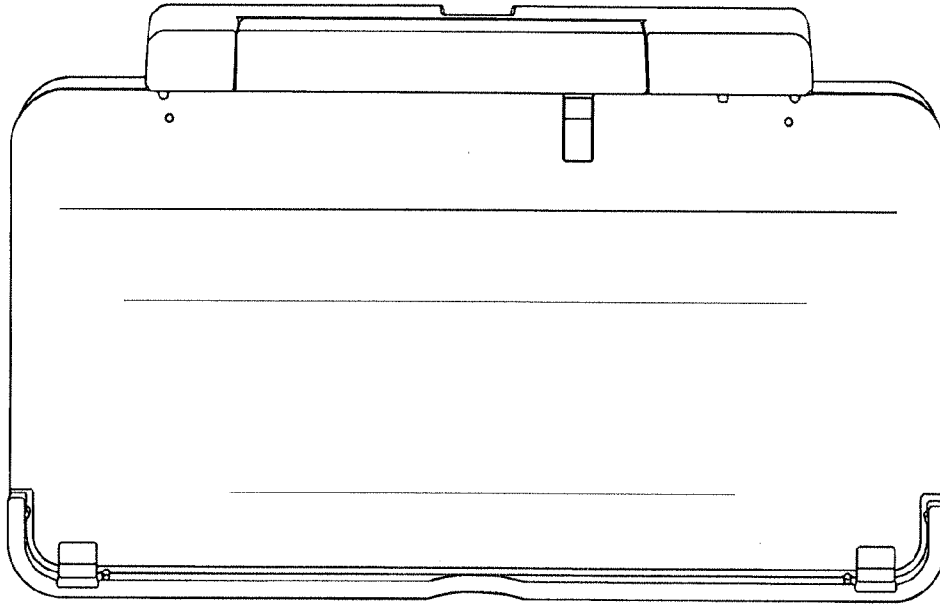


FIG. 3

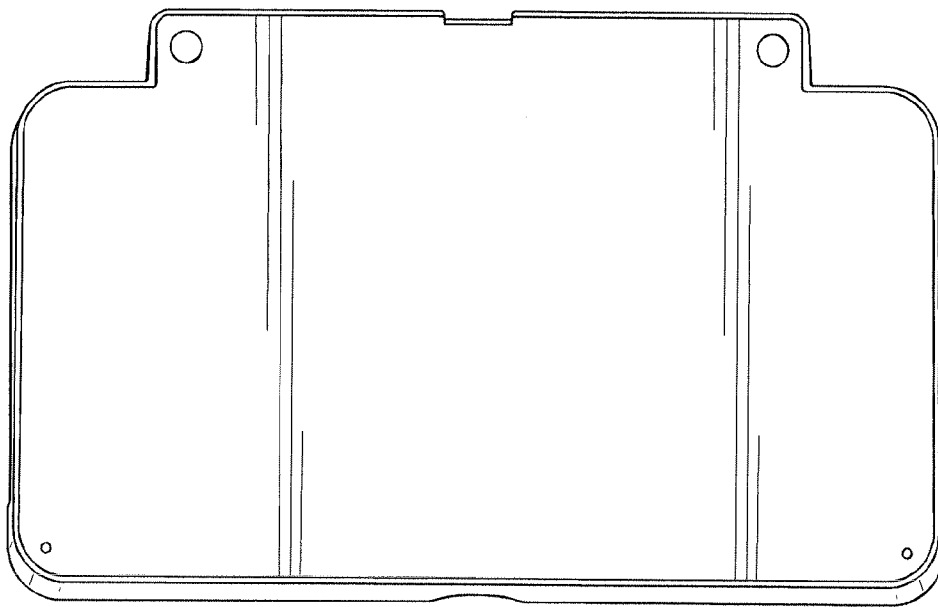


FIG. 4

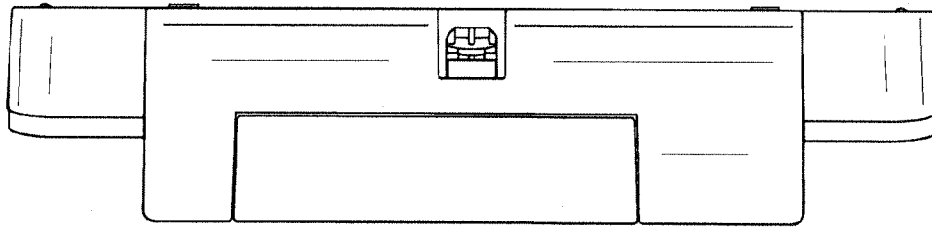


FIG. 5

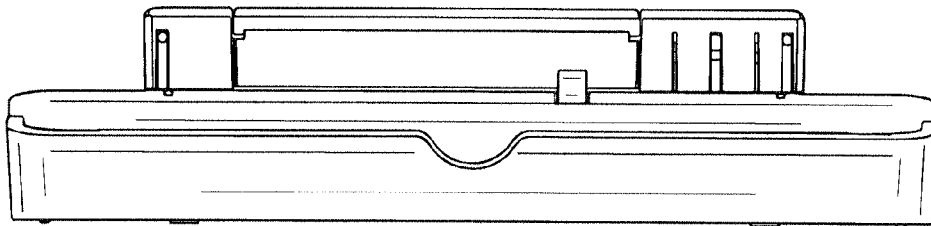


FIG. 6

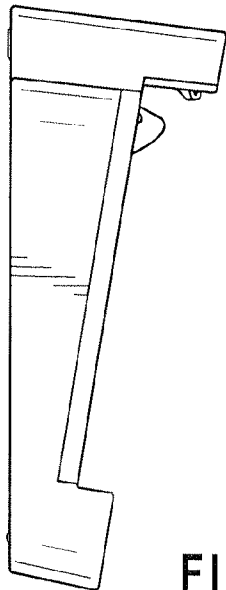


FIG. 7



FIG. 8

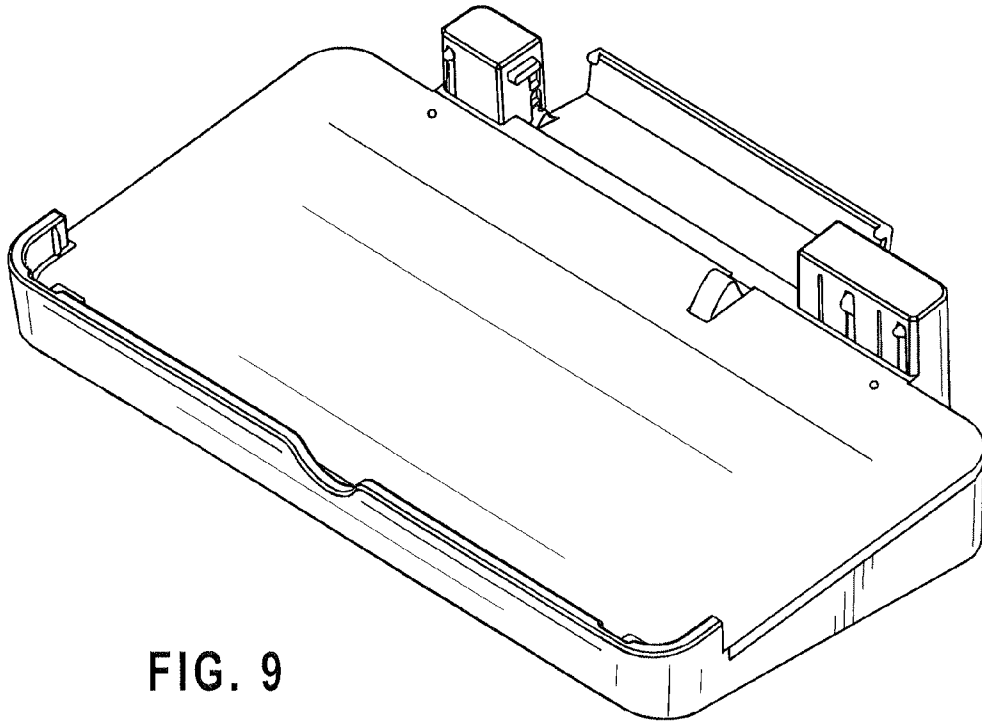


FIG. 9

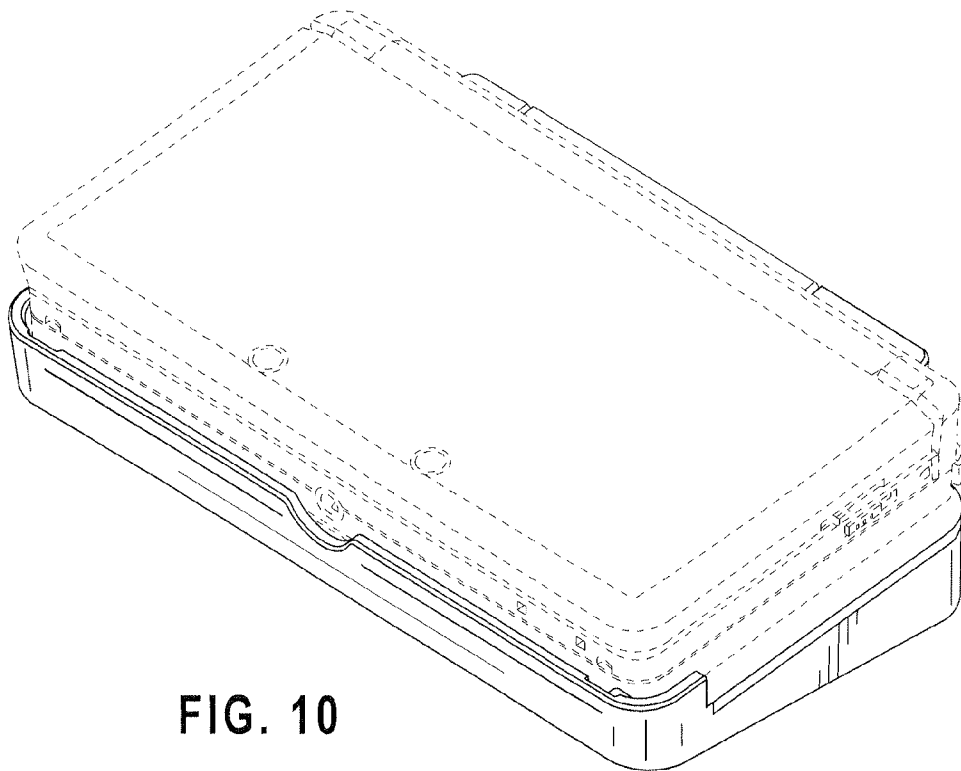


FIG. 10