

CORRECTED VERSION

(19) World Intellectual Property Organization
International Bureau



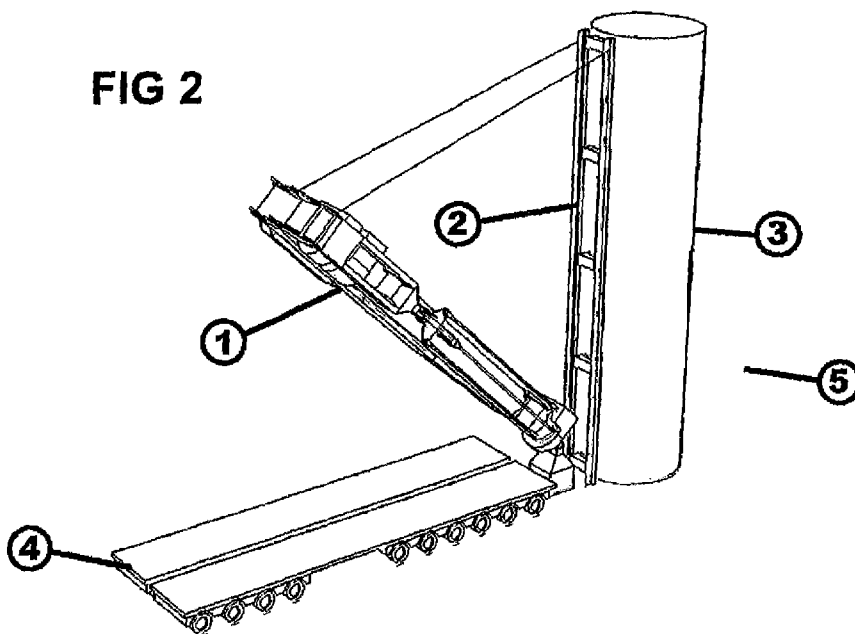
(10) International Publication Number
WO 2018/132010 A8

(43) International Publication Date
19 July 2018 (19.07.2018)

- (51) International Patent Classification: 2019462 29 August 2017 (29.08.2017) NL
B66C 23/20 (2006.01) F03D 13/10 (2016.01)
B66C 23/18 (2006.01) F03D 13/20 (2016.01) (71) Applicant: MAMMOET HOLDING B.V. [NL/NL]; Van
B66C 23/32 (2006.01) E04H 12/34 (2006.01) Deventerlaan 30-40, 3528 AE Utrecht (NL).
(72) Inventor: HELMENS, Wessel; c/o Van Deventerlaan
30-40, 3528 AE Utrecht (NL).
(74) Agent: VAN BREDA, Jacques; Weteringschans 96, 1017
XS Amsterdam (NL).
(81) Designated States (unless otherwise indicated, for every
kind of national protection available): AE, AG, AL, AM,
AO, AT, AU, AZ, BA, BB, BG, BH, BN, BR, BW, BY, BZ,
CA, CH, CL, CN, CO, CR, CU, CZ, DE, DJ, DK, DM, DO,
DZ, EC, EE, EG, ES, FI, GB, GD, GE, GH, GM, GT, HN,
HR, HU, ID, IL, IN, IR, IS, JO, JP, KE, KG, KH, KN, KP,
(21) International Application Number: PCT/NL2018/050026
(22) International Filing Date: 15 January 2018 (15.01.2018)
(25) Filing Language: English
(26) Publication Language: English
(30) Priority Data: 2018176 16 January 2017 (16.01.2017) NL
2019075 15 June 2017 (15.06.2017) NL

(54) Title: METHOD FOR ONSHORE OR OFFSHORE ERECTING AN UPSTANDING CONSTRUCTION

FIG 2



(57) Abstract: Method for onshore or offshore erecting an upstanding construction comprising longitudinal construction parts (9), in particular parts of a windmill, comprising the steps of • -providing the longitudinal parts (9) of the construction; • -transporting the longitudinal parts (9) of the construction on a vehicle (4, 4', 4'') to an erection site (5); • -providing a crane (1) for hoisting the longitudinal parts (9) of the construction; • -using the crane (1) for placing the respective longitudinal parts (9) of the construction on top of each other on a construction base (3) at the erection site (5); • -providing the construction base (3) and/or the longitudinal parts (9) of the construction with a support and guide facility (2) for the crane (1); • -arranging that the crane (1) is mountable on the support and guide facility (2); and • -mounting the crane (1) on the support and guide facility (2) of at least one of the construction base (3) and the longitudinal parts (9) of the construction that is placed on the construction base (3), so as to arrange that the crane (1) is movable up



WO 2018/132010 A8

KR, KW, KZ, LA, LC, LK, LR, LS, LU, LY, MA, MD, ME,
MG, MK, MN, MW, MX, MY, MZ, NA, NG, NI, NO, NZ,
OM, PA, PE, PG, PH, PL, PT, QA, RO, RS, RU, RW, SA,
SC, SD, SE, SG, SK, SL, SM, ST, SV, SY, TH, TJ, TM, TN,
TR, TT, TZ, UA, UG, US, UZ, VC, VN, ZA, ZM, ZW.

(84) Designated States (*unless otherwise indicated, for every kind of regional protection available*): ARIPO (BW, GH, GM, KE, LR, LS, MW, MZ, NA, RW, SD, SL, ST, SZ, TZ, UG, ZM, ZW), Eurasian (AM, AZ, BY, KG, KZ, RU, TJ, TM), European (AL, AT, BE, BG, CH, CY, CZ, DE, DK, EE, ES, FI, FR, GB, GR, HR, HU, IE, IS, IT, LT, LU, LV, MC, MK, MT, NL, NO, PL, PT, RO, RS, SE, SI, SK, SM, TR), OAPI (BF, BJ, CF, CG, CI, CM, GA, GN, GQ, GW, KM, ML, MR, NE, SN, TD, TG).

Published:

— *with international search report (Art. 21(3))*

(48) Date of publication of this corrected version:

03 January 2019 (03.01.2019)

(15) Information about Correction:

see Notice of 03 January 2019 (03.01.2019)

and down along the support and guide facility (2) of the construction. Crane (1) arranged for moving up and down a vertical support and guide facility (2), comprising a mast (8) which is movable up and down the support and guide facility (2), wherein the remainder of the crane which comprises the crane's hoisting means is rotatably mounted on the mast (8).