



- (51) International Patent Classification:
A61B 17/04 (2006.01)
- (21) International Application Number:
PCT/US2012/024533
- (22) International Filing Date:
9 February 2012 (09.02.2012)
- (25) Filing Language: English
- (26) Publication Language: English
- (30) Priority Data:
61/441,121 9 February 2011 (09.02.2011) US
- (71) Applicant (for all designated States except US): **REDYNS MEDICAL LLC** [US/US]; 11693 San Vicente Boulevard, #401, Los Angeles, CA 90049 (US).
- (72) Inventors; and
- (75) Inventors/Applicants (for US only): **SNYDER, Nathan, B.** [US/US]; 11693 San Vicente Boulevard, #401, Los Angeles, CA 90049 (US). **SNYDER, Stephan, J.** [US/US]; 5055 Amestoy Avenue, Encino, CA 91316 (US). **LITKE, Ronald** [US/US]; 11693 San Vicente Boulevard, #401, Los Angeles, CA 90049 (US).
- (74) Agent: **PANDISCIO, Mark, J.**; Pandiscio & Pandiscio, 436 Boston Post Road, Weston, MA 02493 (US).
- (81) Designated States (unless otherwise indicated, for every kind of national protection available): AE, AG, AL, AM, AO, AT, AU, AZ, BA, BB, BG, BH, BR, BW, BY, BZ, CA, CH, CL, CN, CO, CR, CU, CZ, DE, DK, DM, DO, DZ, EC, EE, EG, ES, FI, GB, GD, GE, GH, GM, GT, HN, HR, HU, ID, IL, IN, IS, JP, KE, KG, KM, KN, KP, KR, KZ, LA, LC, LK, LR, LS, LT, LU, LY, MA, MD, ME, MG, MK, MN, MW, MX, MY, MZ, NA, NG, NI, NO, NZ, OM, PE, PG, PH, PL, PT, QA, RO, RS, RU, RW, SC, SD, SE, SG, SK, SL, SM, ST, SV, SY, TH, TJ, TM, TN, TR, TT, TZ, UA, UG, US, UZ, VC, VN, ZA, ZM, ZW.
- (84) Designated States (unless otherwise indicated, for every kind of regional protection available): ARIPO (BW, GH, GM, KE, LR, LS, MW, MZ, NA, RW, SD, SL, SZ, TZ, UG, ZM, ZW), Eurasian (AM, AZ, BY, KG, KZ, MD, RU, TJ, TM), European (AL, AT, BE, BG, CH, CY, CZ, DE, DK, EE, ES, FI, FR, GB, GR, HR, HU, IE, IS, IT, LT, LU, LV, MC, MK, MT, NL, NO, PL, PT, RO, RS, SE, SI, SK, SM, TR), OAPI (BF, BJ, CF, CG, CI, CM, GA, GN, GQ, GW, ML, MR, NE, SN, TD, TG).

[Continued on next page]

- (54) Title: METHOD AND APPARATUS FOR ATTACHING AN ELONGATED OBJECT TO BONE

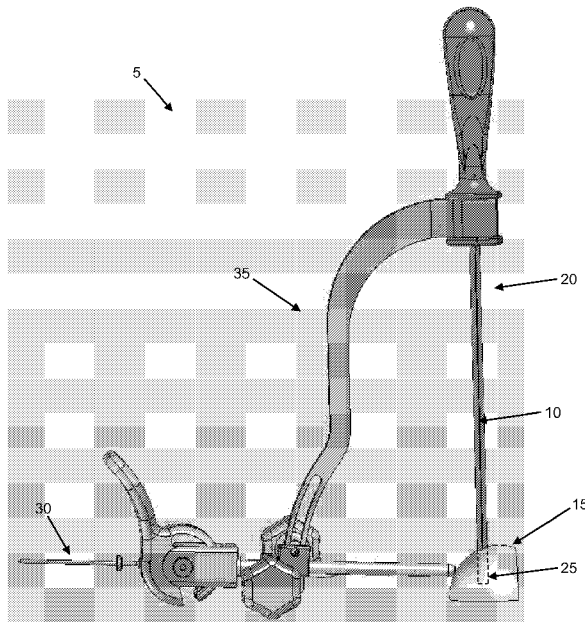


FIG. 1

(57) Abstract: A method for attaching an elongated object to bone, the method comprising: forming a hole in the bone; positioning a loop of the elongated object in the hole; advancing a surgical wire into the bone so that the surgical wire is directed toward a location within the interior of the loop; and severing the surgical wire intermediate its length so as to create a distal portion and a remainder portion and, if the distal portion of the surgical wire does not extend through the loop, further advancing the distal portion of the surgical wire so that it extends through the loop.





Published:

— *with international search report (Art. 21(3))*

(88) Date of publication of the international search report:

17 April 2014

(15) Information about Correction:

Previous Correction:

see Notice of 21 March 2013

INTERNATIONAL SEARCH REPORT

International application No.

PCT/US 12/24533

A. CLASSIFICATION OF SUBJECT MATTER

IPC(8) - A61B 17/04 (2012.01)

USPC - 606/232

According to International Patent Classification (IPC) or to both national classification and IPC

B. FIELDS SEARCHED

Minimum documentation searched (classification system followed by classification symbols)
USPC: 606/232Documentation searched other than minimum documentation to the extent that such documents are included in the fields searched
USPC: 606/1, 139, 144, 148, 150, 232 (keyword limited; terms below)Electronic data base consulted during the international search (name of data base and, where practicable, search terms used)
PubWEST(); Google; Search Terms Used: surgery, surgical, wire, rod, guidewire, cable, shap\$4, point\$2, tip, distal, scor\$3, weak\$4, break\$3, frangible, adjust\$4, drill guide, tissue, bone, tendon, ligament, drill, guide, collet, cam, follower, transverse\$2, orthogonal\$2, secur\$3, connect\$3, attach\$4, muscle, suture, loop\$3, rod, shaft, perpendicula

C. DOCUMENTS CONSIDERED TO BE RELEVANT

Category*	Citation of document, with indication, where appropriate, of the relevant passages	Relevant to claim No.
X ----- Y	US 2007/0167950 A1 (TAURO et al) 19 July 2007 (19.07.2007) fig 2, 10A, abstract, para [0006], [0064]	1-4, 7, 21-23 ----- 5, 6, 8-20, 31-33, 37
Y	US 2008/0312693 A1 (TRAUTWEIN et al) 18 December 2008 (18.12.2008) para [0074]	5-6, 31-33, 37
Y	US 2009/0287225 A1 (OLSEN et al) 19 November 2009 (19.11.2009) fig 8, 9B, para [0056]	8-20, 37
Y	US 2004/0092936 A1 (MILLER et al) 13 May 2004 (13.05.2004) fig 16, 24, para [0032], [0038], [0056]	24-36
Y	US 5,370,647 A (GRABER et al) 06 December 1994 (06.12.1994) fig 22, 23, col 8, ln 25-37	10
Y	US 2004/0087953 A1 (SINGHATAT et al) 06 May 2004 (06.05.2004) fig 17	11-20, 37
Y	US 2009/0088798 A1 (SYNDER et al) 02 April 2009 (02.04.2009) fig 17, para [0070]	12-17, 37
Y	US 2010/0312249 A1 (SANDERS) 09 December 2010 (09.12.2010) fig 1, para [0039]-[0040]	18-20

 Further documents are listed in the continuation of Box C.

* Special categories of cited documents:

"A" document defining the general state of the art which is not considered to be of particular relevance

"E" earlier application or patent but published on or after the international filing date

"L" document which may throw doubts on priority claim(s) or which is cited to establish the publication date of another citation or other special reason (as specified)

"O" document referring to an oral disclosure, use, exhibition or other means

"P" document published prior to the international filing date but later than the priority date claimed

"T" later document published after the international filing date or priority date and not in conflict with the application but cited to understand the principle or theory underlying the invention

"X" document of particular relevance; the claimed invention cannot be considered novel or cannot be considered to involve an inventive step when the document is taken alone

"Y" document of particular relevance; the claimed invention cannot be considered to involve an inventive step when the document is combined with one or more other such documents, such combination being obvious to a person skilled in the art

"&" document member of the same patent family

Date of the actual completion of the international search

12 June 2012 (12.06.2012)

Date of mailing of the international search report

19 JUN 2012

Name and mailing address of the ISA/US
Mail Stop PCT, Attn: ISA/US, Commissioner for Patents
P.O. Box 1450, Alexandria, Virginia 22313-1450
Facsimile No. 571-273-3201

Authorized officer:

Lee W. Young

PCT Helpdesk: 571-272-4300
PCT OSP: 571-272-7774