



US00D411121S

United States Patent [19]
Chang

[11] **Patent Number: Des. 411,121**
[45] **Date of Patent: ** Jun. 22, 1999**

[54] **COMPASS**

Primary Examiner—Antoine Duval Davis
Attorney, Agent, or Firm—Ladas & Parry

[76] Inventor: **Gin-Sung Chang**, No. 229-21,
Kuang-Ming Rd., Chien-Chu Tsun,
Wu-Jih Hsiang, Taichung Hsien, Taiwan

[57] **CLAIM**

The ornamental design for compass, as shown and described.

[**] Term: **14 Years**

DESCRIPTION

[21] Appl. No.: **29/088,847**

FIG. 1 is a perspective view of compass showing my new design;

[22] Filed: **Jun. 2, 1998**

FIG. 2 is a front elevational view thereof;

[51] **LOC (6) Cl.** **10-04**

FIG. 3 is a rear elevational view thereof;

[52] **U.S. Cl.** **D10/68**

FIG. 4 is a left side elevational view thereof;

[58] **Field of Search** D10/68; 33/355 R-361,
33/364, 355 D

FIG. 5 is a right side elevational view thereof;

FIG. 6 is a top plan view thereof;

FIG. 7 is a bottom plan view thereof; and,

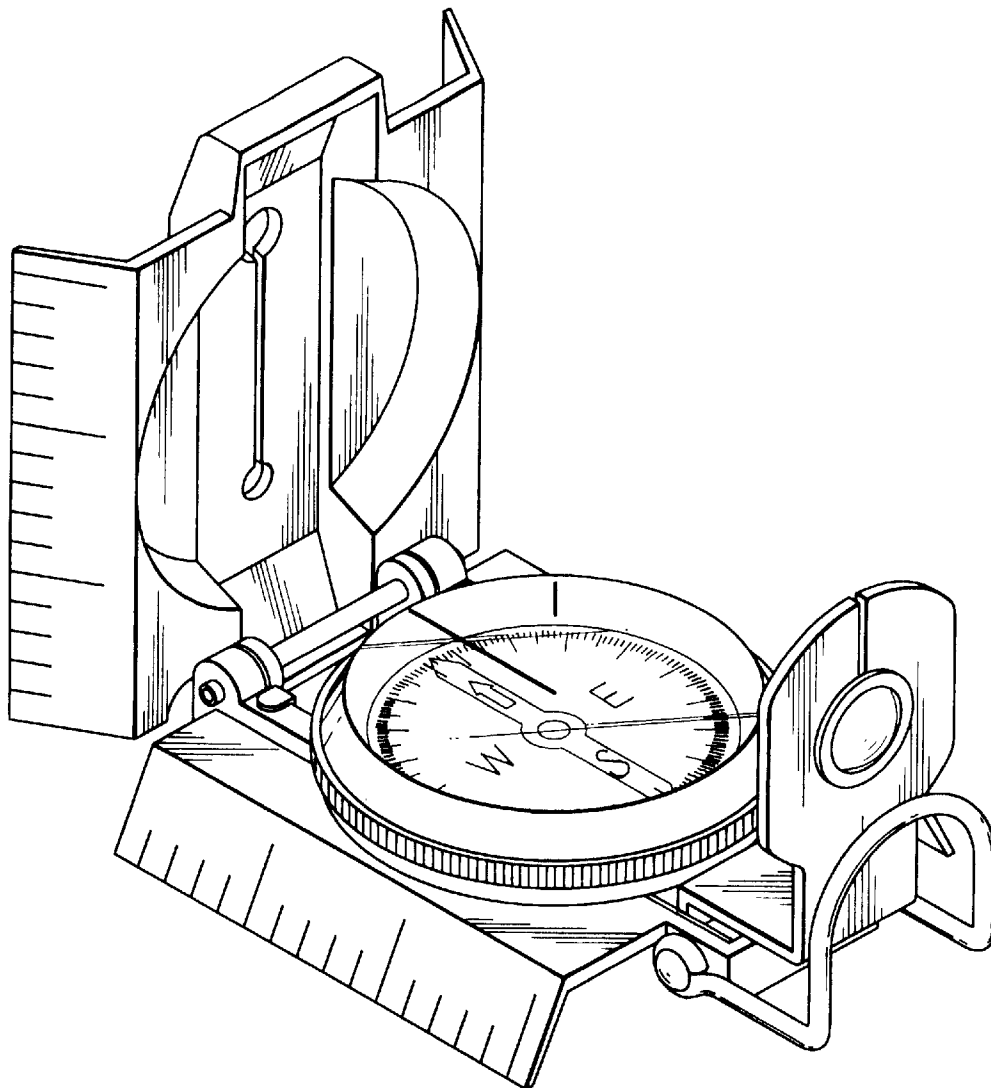
FIG. 8 is a perspective view thereof when in a folded position.

[56] **References Cited**

U.S. PATENT DOCUMENTS

D. 349,066	7/1994	Su	D10/68
D. 369,982	5/1996	Chang	D10/68
4,899,453	2/1990	Bhat et al.	D10/68 X

1 Claim, 5 Drawing Sheets



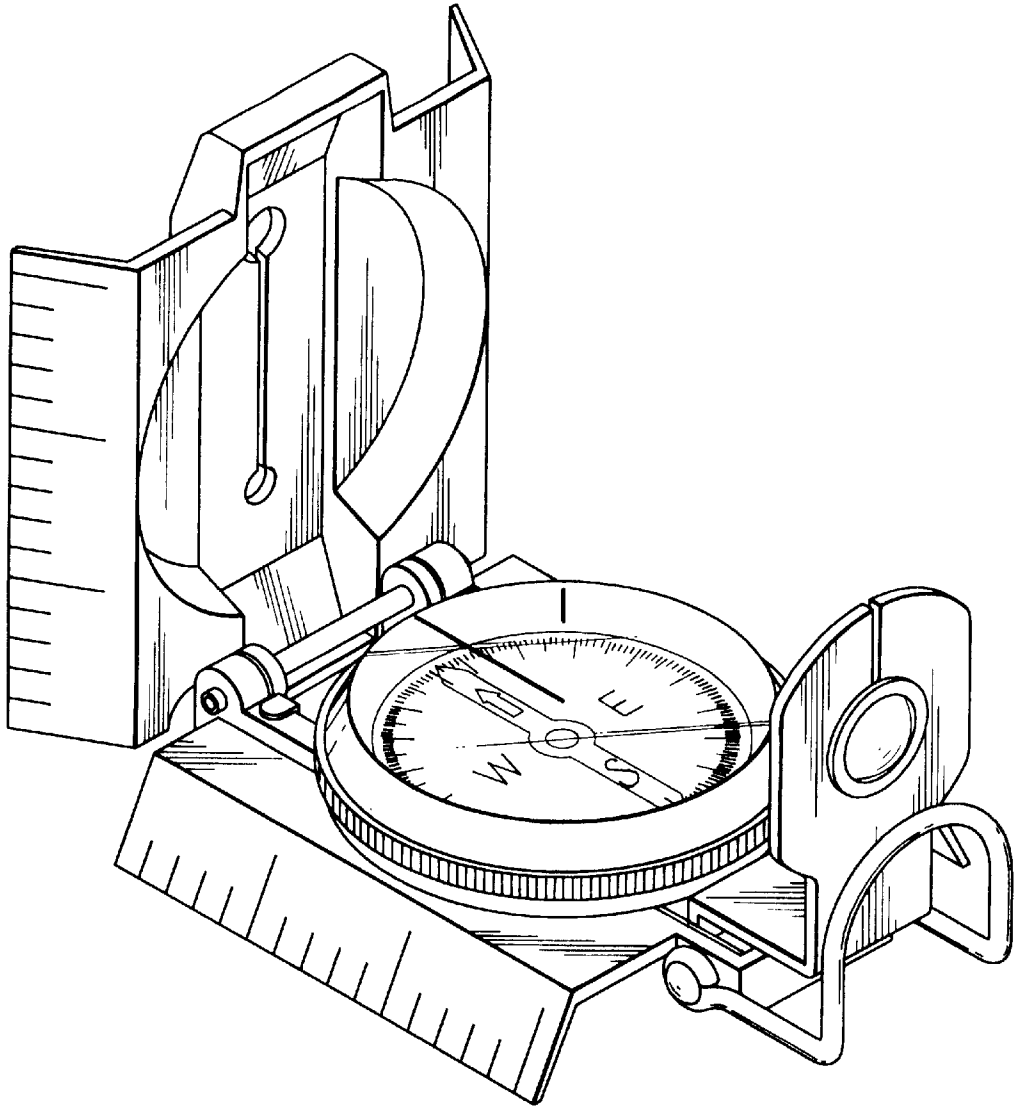


FIG. 1

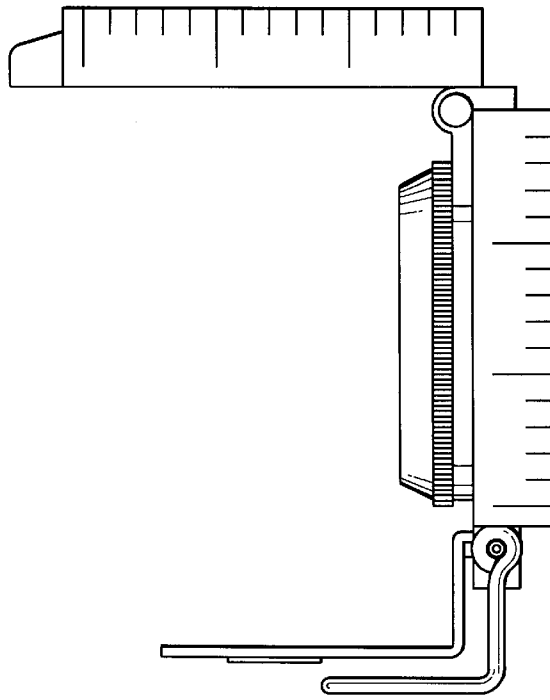


FIG. 3

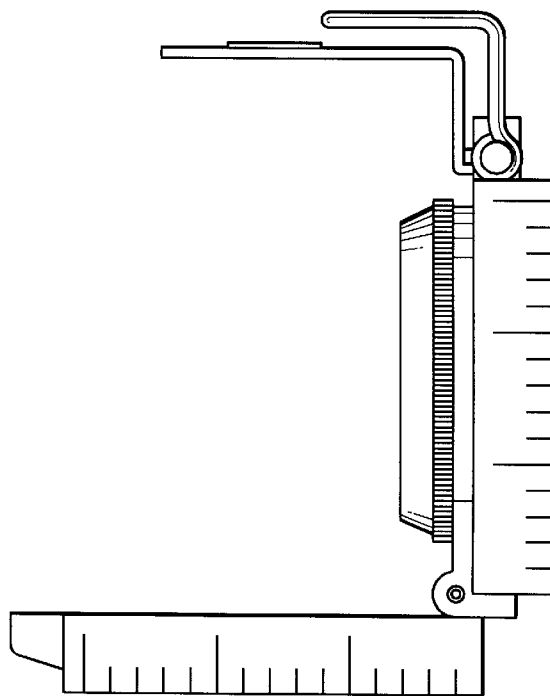


FIG. 2

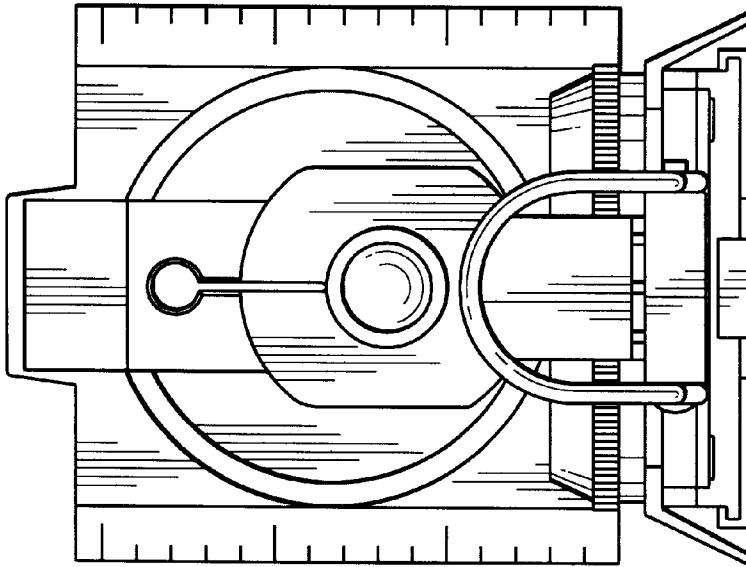


FIG. 5

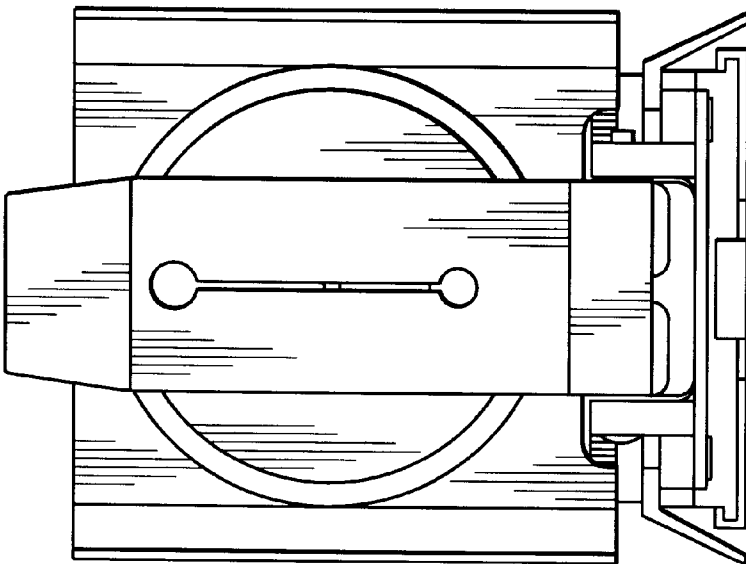


FIG. 4

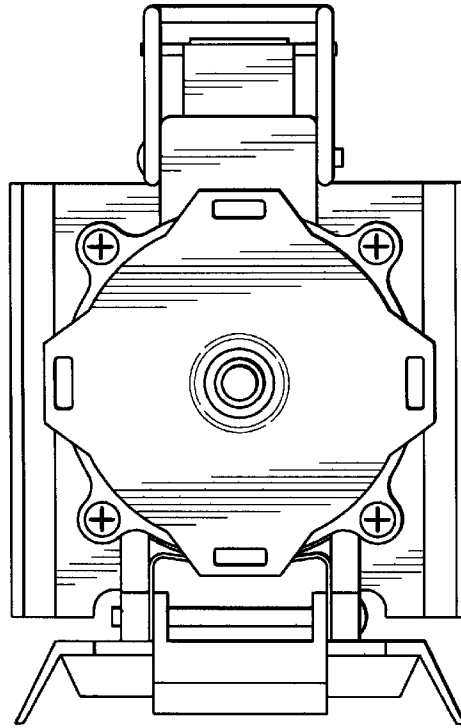


FIG. 7

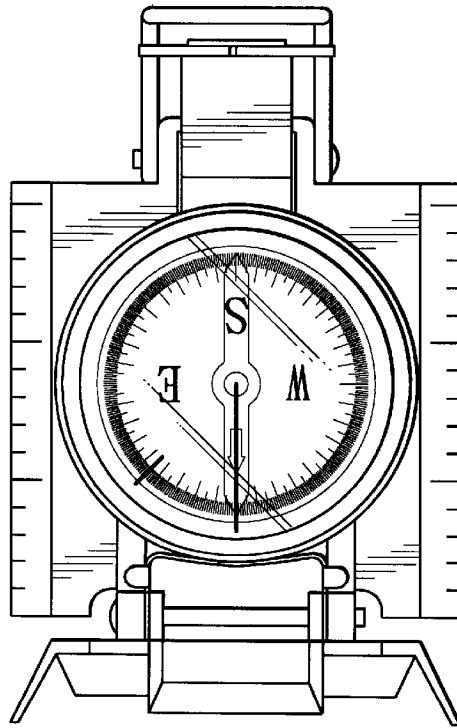


FIG. 6

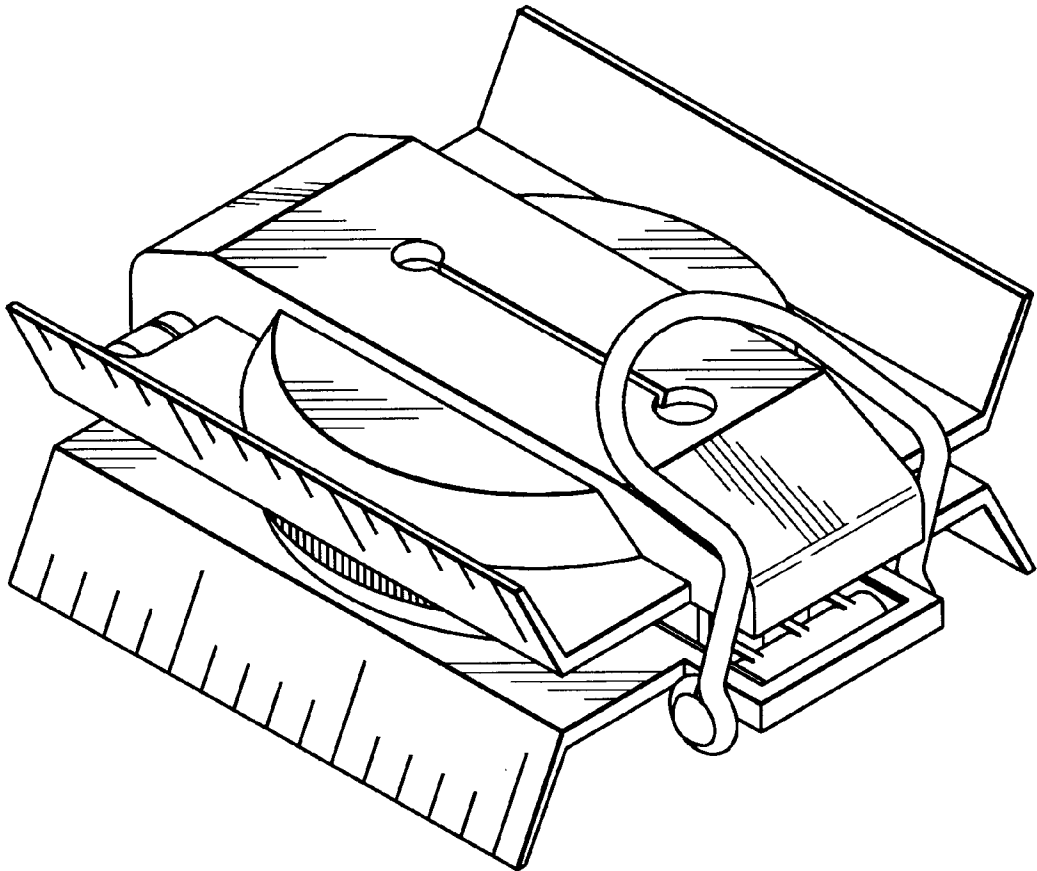


FIG. 8