



US00D697276S

(12) **United States Design Patent**
Yeol et al.

(10) **Patent No.:** **US D697,276 S**

(45) **Date of Patent:** **** Jan. 7, 2014**

(54) **FRAME FOR WASHING MACHINE**

(71) Applicant: **Samsung Electronics Co., Ltd.**,
Suwon-si (KR)

(72) Inventors: **Lee Hong Yeol**, Yongin-si (KR); **Choi Jungsang**, Hwaseong-si (KR); **Sung Jong Hun**, Suwon-si (KR); **Chun Kwang Min**, Seoul (KR)

(73) Assignee: **Samsung Electronics Co., Ltd.**,
Suwon-Si (KR)

(**) Term: **14 Years**

(21) Appl. No.: **29/445,349**

(22) Filed: **Feb. 11, 2013**

(30) **Foreign Application Priority Data**

Sep. 28, 2012 (KR) 30-2012-0046882

(51) **LOC (10) Cl.** **15-05**

(52) **U.S. Cl.**
USPC **D32/25**

(58) **Field of Classification Search**
USPC D32/1, 5-6, 8, 10, 25; 68/3 R, 5 R,
68/12.01, 12.07-12.08, 212; 34/57-58,
34/523-524

See application file for complete search history.

(56) **References Cited**

U.S. PATENT DOCUMENTS

D495,453 S *	8/2004	Baldwin et al.	D32/8
D515,257 S *	2/2006	Geyer	D32/6
D517,254 S *	3/2006	Geyer	D32/5
D554,306 S *	10/2007	Nam	D32/6
D575,463 S *	8/2008	Mao et al.	D32/6
D596,813 S *	7/2009	Gruetzke et al.	D32/6
D610,757 S *	2/2010	Yalcin et al.	D32/6
D610,758 S *	2/2010	Yalcin et al.	D32/6

D611,206 S *	3/2010	Yalcin et al.	D32/6
D611,207 S *	3/2010	Yalcin et al.	D32/6
D613,466 S *	4/2010	Kim	D32/6
D618,865 S *	6/2010	Cline et al.	D32/6
D622,916 S *	8/2010	Lee	D32/6
D625,476 S *	10/2010	Lee et al.	D32/6
D642,752 S *	8/2011	Kim	D32/6
D642,753 S *	8/2011	Ha	D32/6
8,056,172 B2 *	11/2011	Schneider et al.	8/159
D653,006 S *	1/2012	Takahashi	D32/6
8,112,904 B2 *	2/2012	Kono et al.	34/595
D658,340 S *	4/2012	Jeon et al.	D32/6
D663,907 S *	7/2012	Jeon et al.	D32/6
D682,492 S *	5/2013	Chung et al.	D32/6
D683,088 S *	5/2013	Chung et al.	D32/6
2012/0119630 A1 *	5/2012	Najera Bernal et al.	312/223.1
2013/0014546 A1 *	1/2013	Kobayashi et al.	68/212

* cited by examiner

Primary Examiner — T. Chase Nelson

Assistant Examiner — Kathleen M Sims

(74) *Attorney, Agent, or Firm* — Ladas & Parry LLP

(57) **CLAIM**

We claim the ornamental design for a frame for washing machine, as shown and described.

DESCRIPTION

FIG. 1 is a front/right-side/top perspective view of a frame for washing machine showing our new design;
FIG. 2 is a front elevational view thereof;
FIG. 3 is a rear elevational view thereof;
FIG. 4 is a left-side elevational view thereof;
FIG. 5 is a right-side elevational view thereof;
FIG. 6 is a top plan view thereof; and,
FIG. 7 is a bottom plan view thereof.

Features shown in broken lines are disclaimed and form no part of the claimed design.

The chain lines (dot-dash-dot) shown in FIGS. 1 and 5 represent the side panel border forming no part of the claimed design.

1 Claim, 7 Drawing Sheets

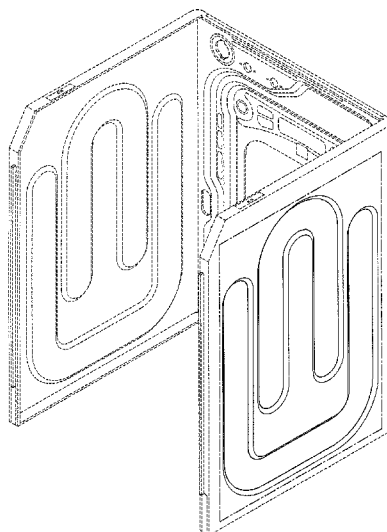


FIG. 1

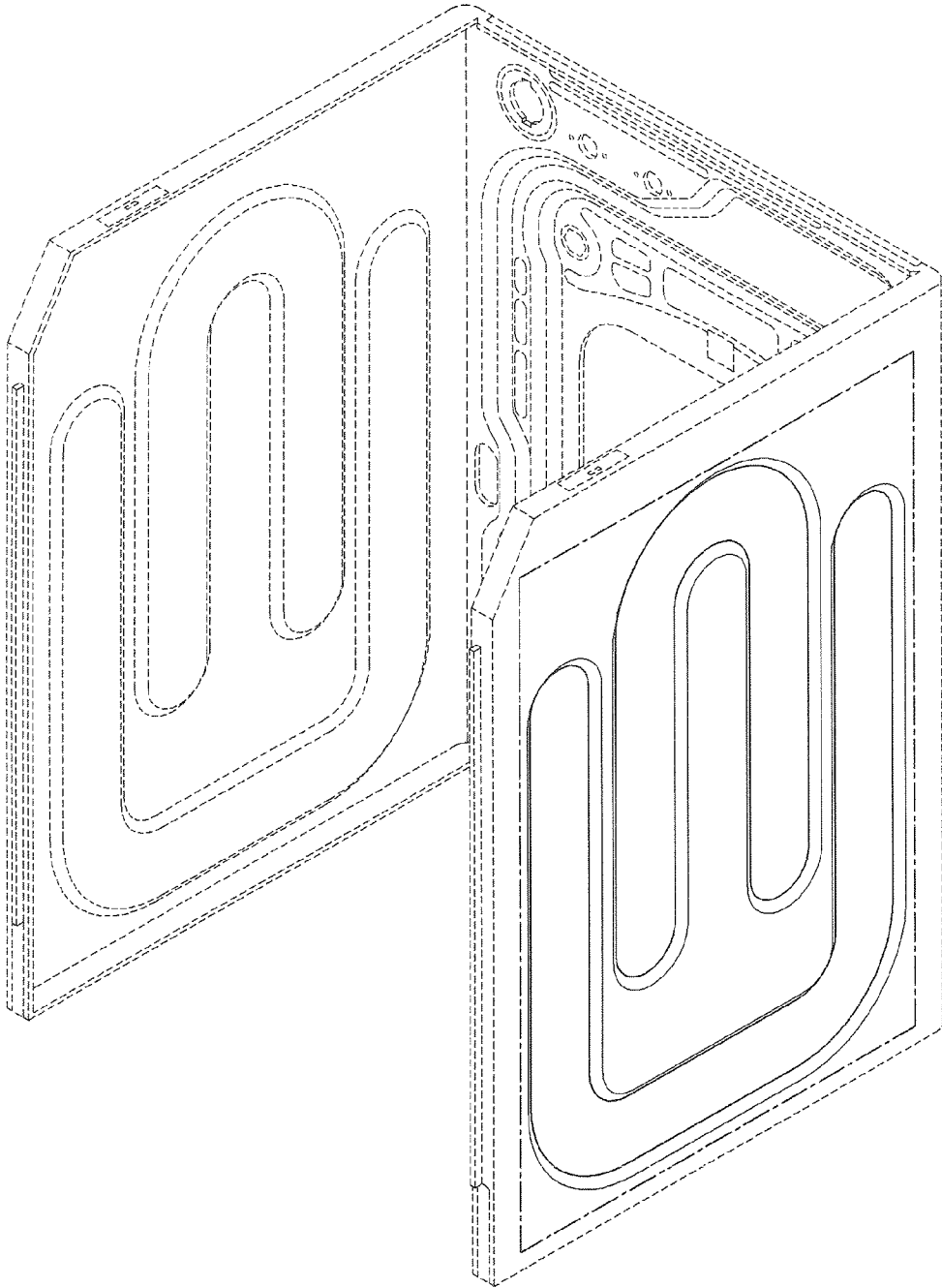


FIG. 2

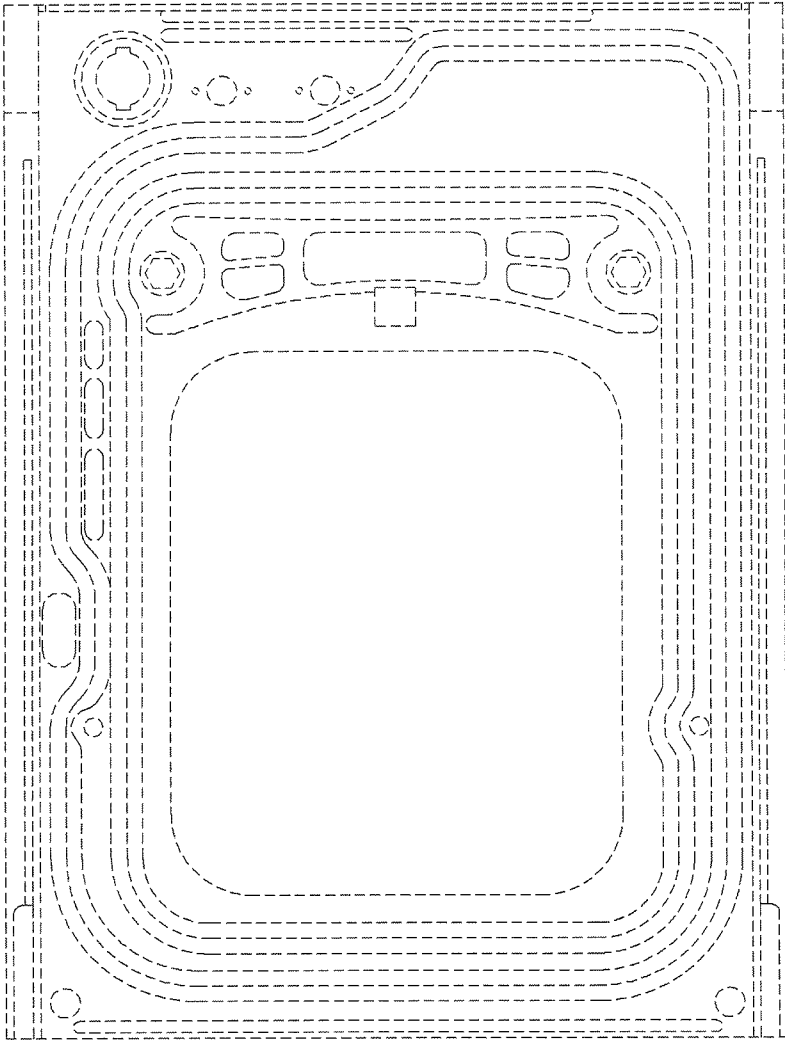


FIG. 3

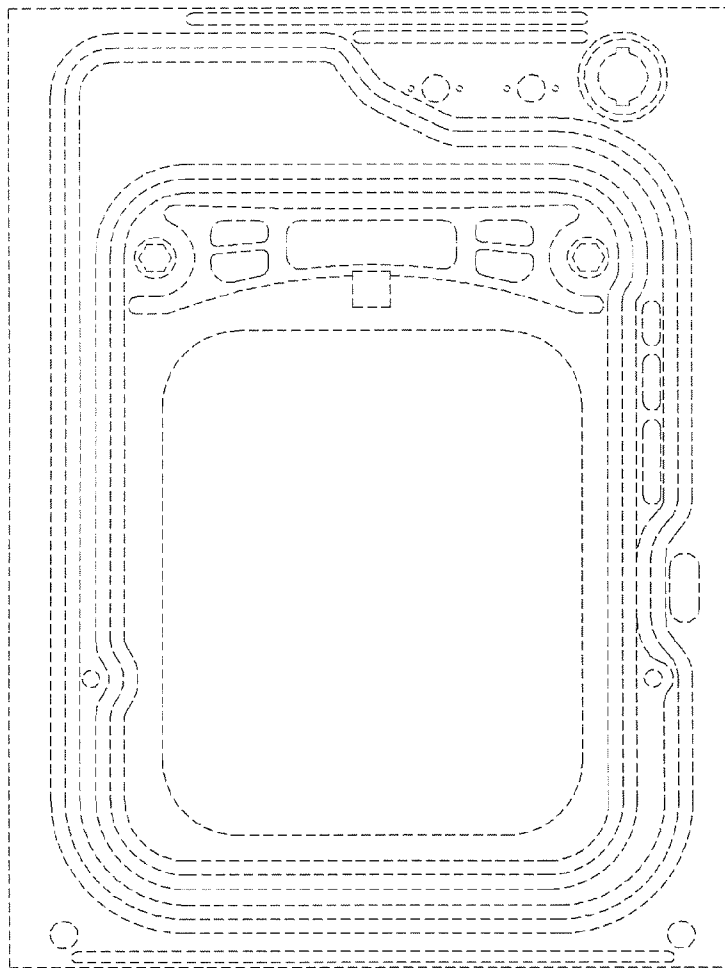


FIG. 4

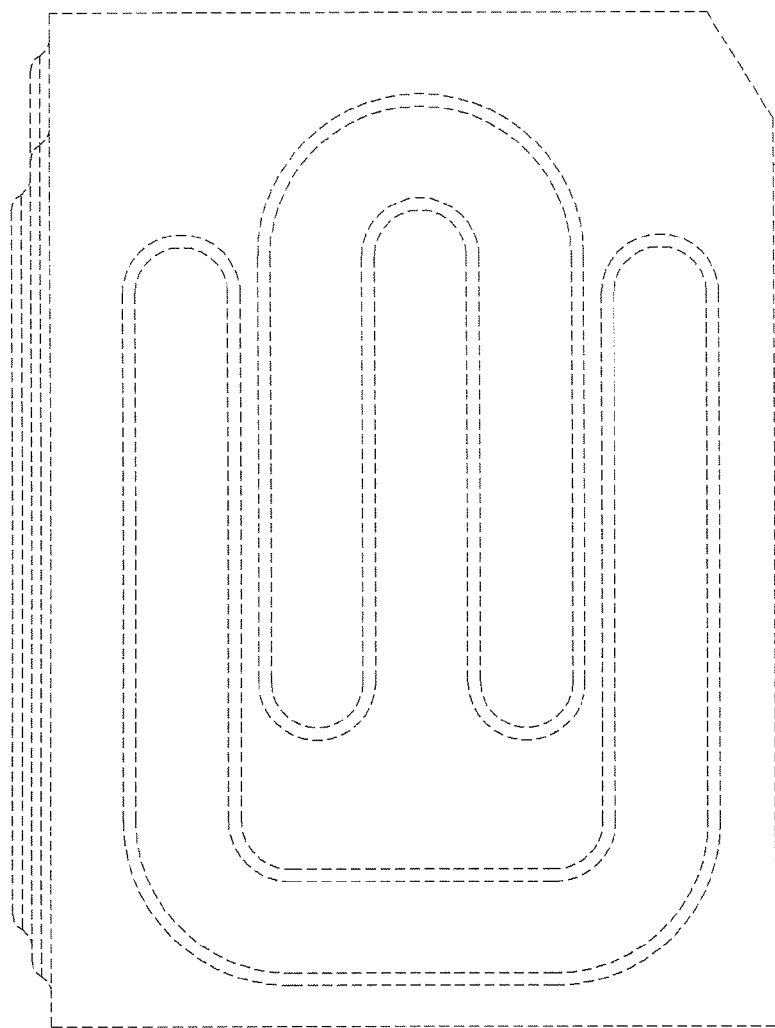


FIG. 5

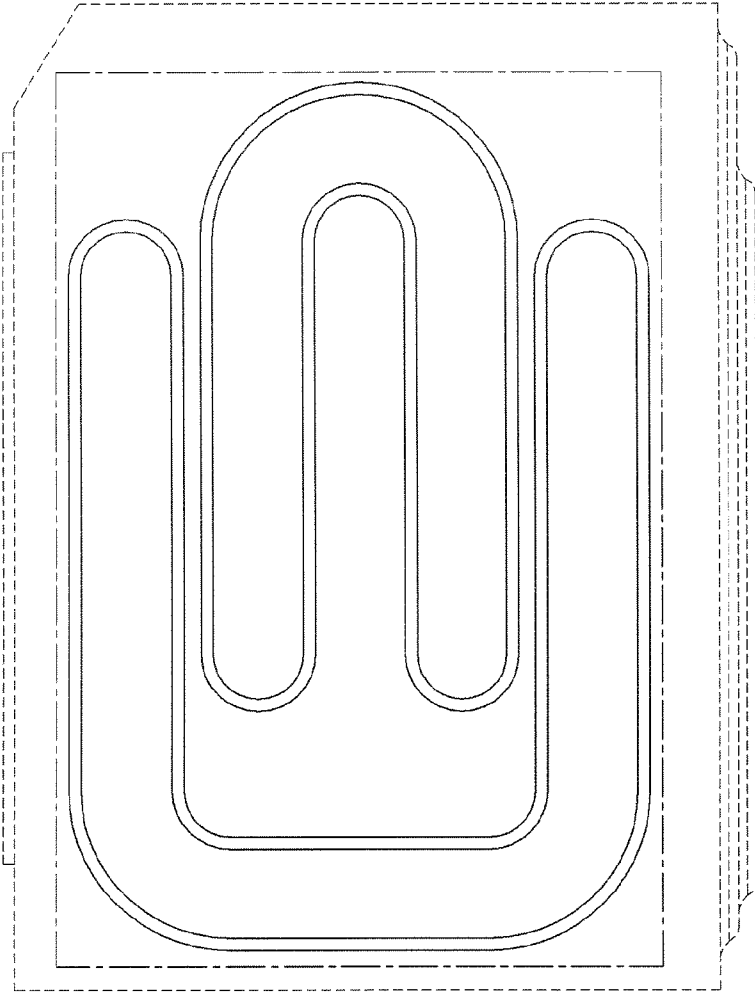


FIG. 6

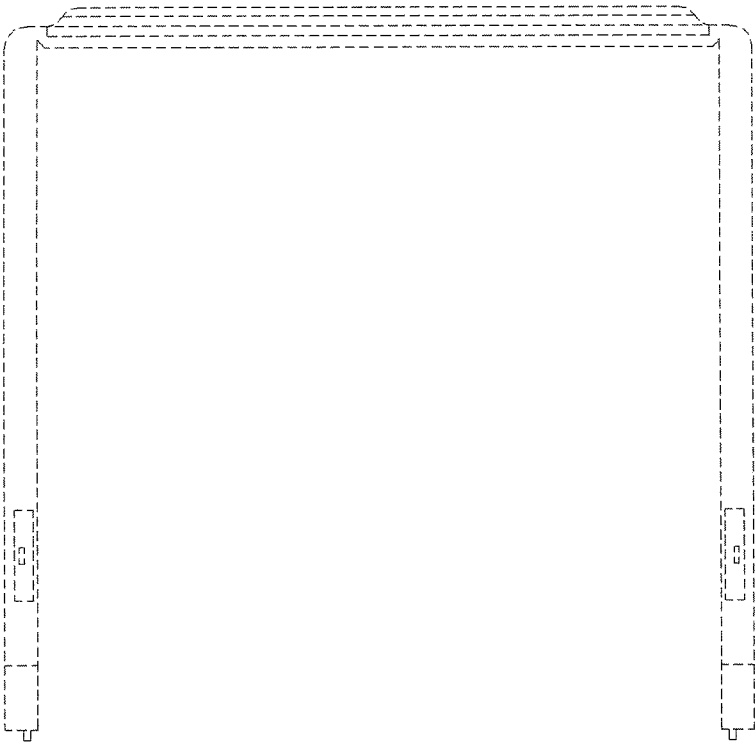


FIG. 7

