

(12) UK Patent Application (19) GB (11) 2 299 774 (13) A

(43) Date of A Publication 16.10.1996

(21) Application No 9507729.3

(22) Date of Filing 13.04.1995

(71) Applicant(s)
Dennis Lawrence Melroue
69 Hanson Drive, LOUGHTON, Essex, IG10 2EF,
United Kingdom

(72) Inventor(s)
Dennis Lawrence Melroue

(74) Agent and/or Address for Service
Dennis Lawrence Melroue
69 Hanson Drive, LOUGHTON, Essex, IG10 2EF,
United Kingdom

(51) INT CL⁶
B23B 47/28

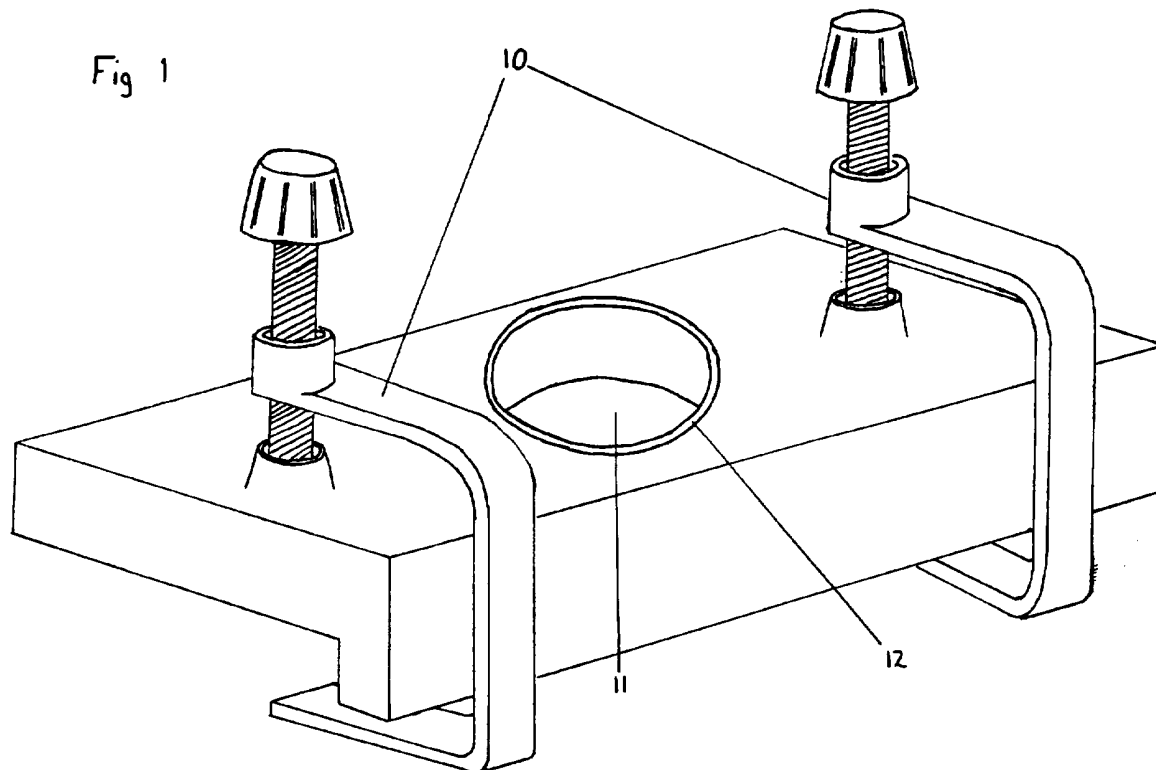
(52) UK CL (Edition O)
B3C C1B11
U1S S1212 S1714 S2022

(56) Documents Cited
GB 2257644 A GB 2120584 A WO 88/10177 A1

(58) Field of Search
UK CL (Edition N) B3C
INT CL⁶ B23B

(54) Drill jig

(57) A jig has two clamps 10 for attachment to a cupboard door. The hole 11 has a metal sleeve 12 to protect the jig from the drill bit. The clamps have large handles to make it easier to tighten.



GB 2 299 774 A

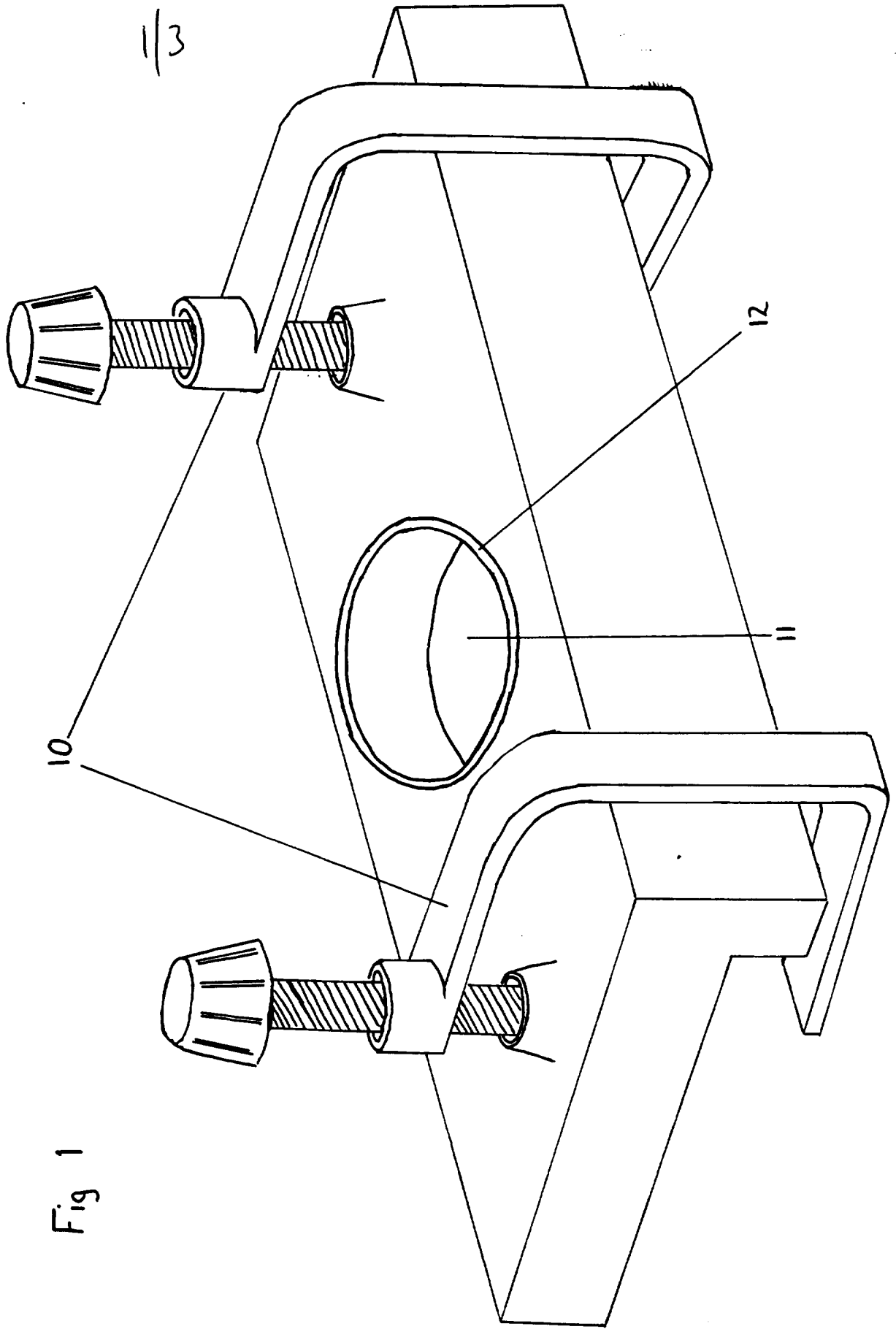


Fig 1

2/3

Fig 2

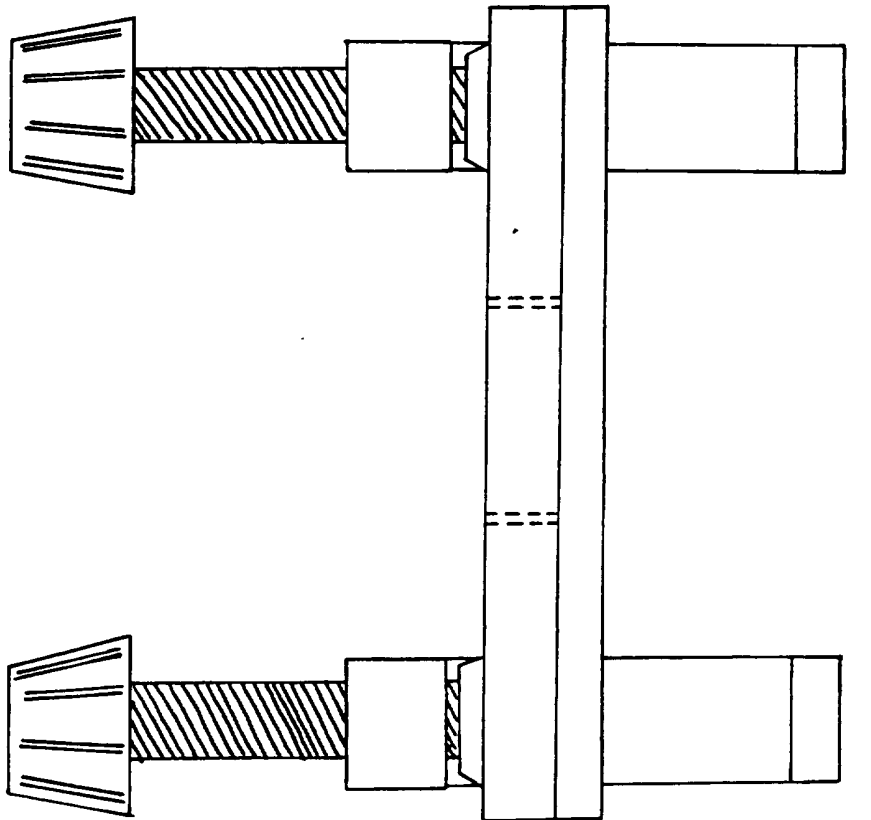
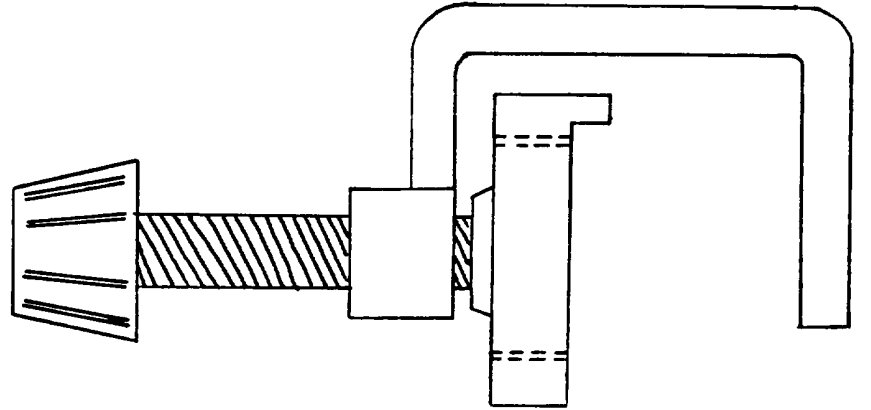
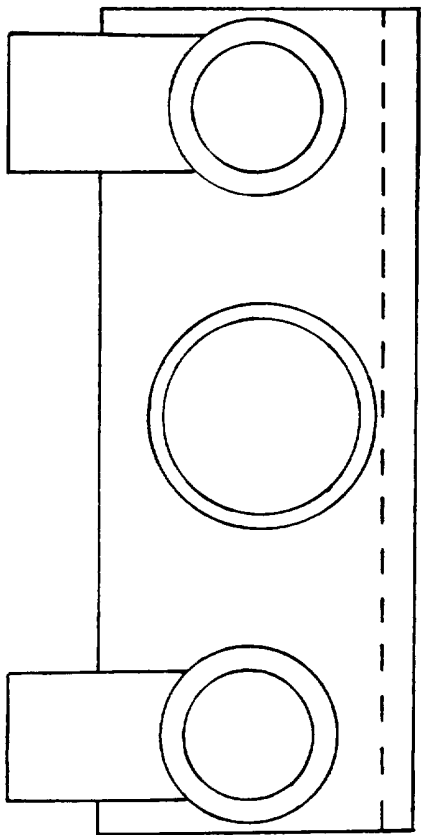


Fig 3

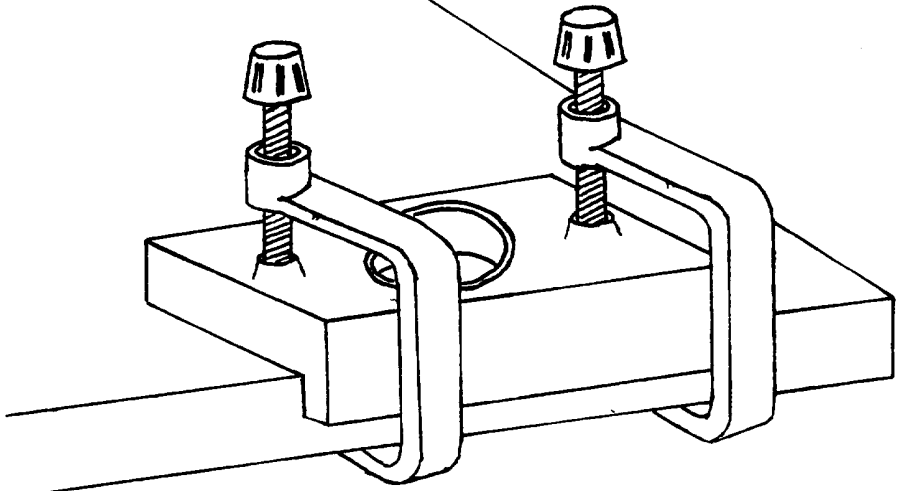
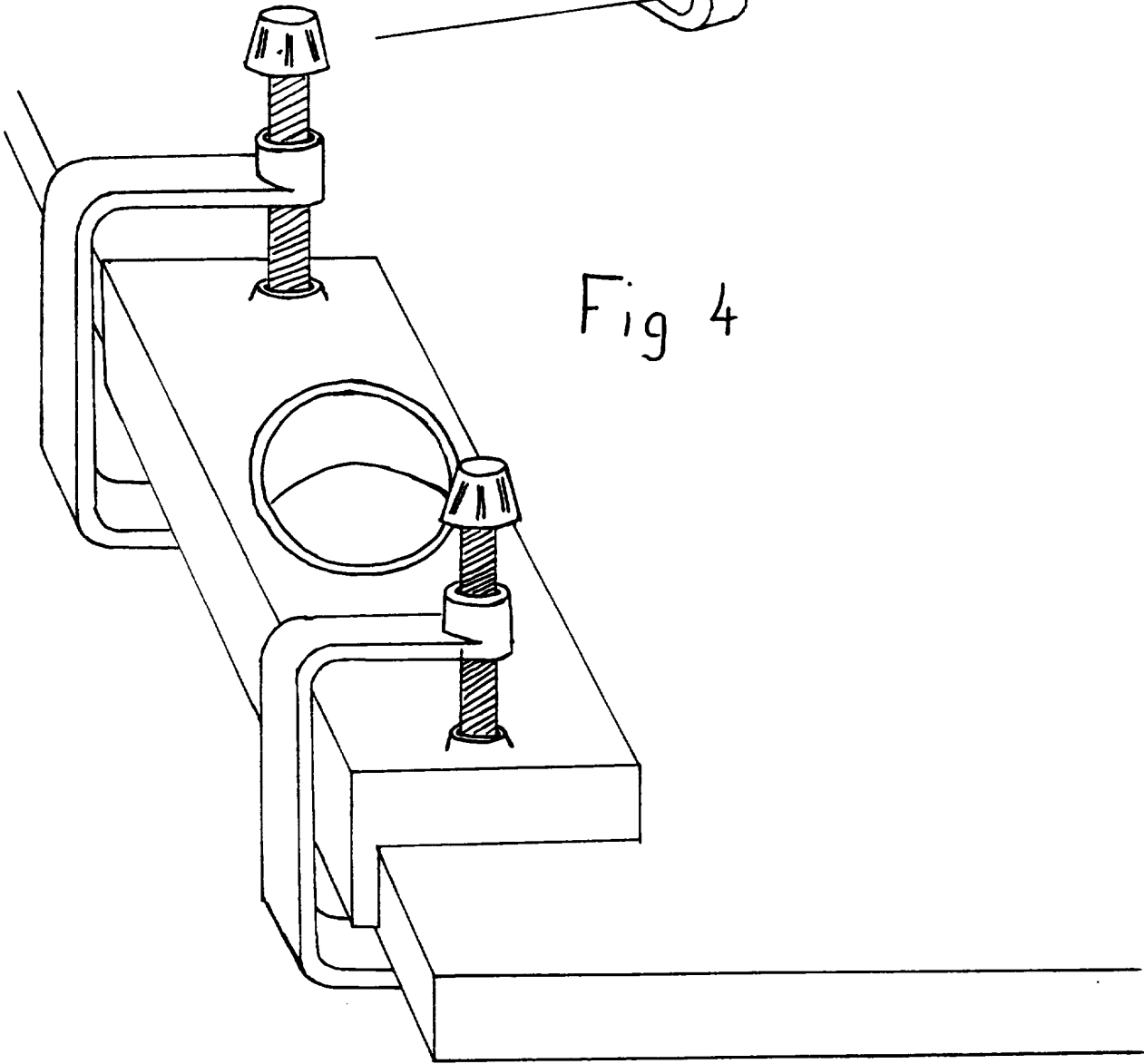


Fig 4



DESCRIPTION OF THE DENNIJIG

The Dennijig has been designed specifically to be used in conjunction with a drill bit that drills holes for sunken hinges.

The jig holds the drill bit firm and steady so that a precision hole can be made for the attachemnt of the hinge.

CLAIMS

1. This is a jig comprising of a body with two clamps. Figs. 1 & 2.
2. The jig is designed to hold a drill-bit in position so that a hole can be drilled for a sunken hinge.
3. The jig is clamped in position onto the cupboard door Fig. 3.
4. This jig is as described herein with reference to Figs. 1-4 of the accompanying drawings.

Patents Act 1977 Examiner's report to the Comptroller under Section 17 (the Search report)	Application number GB 9507729.3
Relevant Technical Fields (i) UK Cl (Ed.N) B3C (ii) Int. Cl (Ed.6) B23B Databases (see below) (i) UK Patent Office collections of GB, EP, WO and US patent specifications. (ii)	Search Examiner V L C PHILLIPS <hr/> Date of completion of Search 23 JUNE 1995 <hr/> Documents considered relevant following a search in respect of Claims :- 1-4

Categories of documents

- | | |
|---|---|
| X: Document indicating lack of novelty or of inventive step. | P: Document published on or after the declared priority date but before the filing date of the present application. |
| Y: Document indicating lack of inventive step if combined with one or more other documents of the same category. | E: Patent document published on or after, but with priority date earlier than, the filing date of the present application. |
| A: Document indicating technological background and/or state of the art. | &: Member of the same patent family; corresponding document. |

Category	Identity of document and relevant passages	Relevant to claim(s)
X	GB 2257644 A (ROBINSON) see Figure 1	1 to 4
X	GB 2120584 A (GKN) see Figure 1 and page 2 lines 64-67	1 to 4
X	WO 88/10177 A1 (COLLISON) see Figure 1	1 to 4

Databases:The UK Patent Office database comprises classified collections of GB, EP, WO and US patent specifications as outlined periodically in the Official Journal (Patents). The on-line databases considered for search are also listed periodically in the Official Journal (Patents).