



US00D669582S

(12) **United States Design Patent**  
**Weston et al.**

(10) **Patent No.:** **US D669,582 S**

(45) **Date of Patent:** **\*\* Oct. 23, 2012**

(54) **CARTRIDGE FOR ENDOTHELIAL CORNEAL GRAFTS**

(76) Inventors: **Philip Douglas Weston**, Ledyard, CT (US); **Donald Tan**, Singapore (SG); **Jod Mehta**, Singapore (SG)

(\*\*) Term: **14 Years**

(21) Appl. No.: **29/395,063**

(22) Filed: **Nov. 18, 2011**

(30) **Foreign Application Priority Data**

May 19, 2011 (EM) ..... 001866344-0001

(51) **LOC (9) Cl.** ..... **24-02**

(52) **U.S. Cl.** ..... **D24/150; D24/147**

(58) **Field of Classification Search** ..... D24/147, D24/150, 133; 606/1, 5, 6, 107, 161, 166, 606/172; 600/558; 351/200; 359/511, 600  
See application file for complete search history.

(56) **References Cited**

**U.S. PATENT DOCUMENTS**

D196,610	S *	10/1963	Kolbeck	.....	D24/150
3,151,392	A *	10/1964	Chambers	.....	30/240
4,061,146	A *	12/1977	Baehr et al.	.....	606/107
D374,284	S *	10/1996	Stone et al.	.....	D24/145
5,817,115	A *	10/1998	Nigam	.....	606/166
D403,068	S *	12/1998	England	.....	D24/150
5,944,731	A *	8/1999	Hanna	.....	606/166
6,258,110	B1 *	7/2001	Hellenkamp	.....	606/166
D459,806	S *	7/2002	Webb	.....	D24/150

D459,807	S *	7/2002	Webb	.....	D24/150
6,656,197	B1 *	12/2003	LaHaye	.....	606/166
7,166,117	B2 *	1/2007	Hellenkamp	.....	606/166
7,223,275	B2 *	5/2007	Shiuey	.....	606/166
7,338,508	B2 *	3/2008	Dybbs	.....	606/166
7,645,291	B2 *	1/2010	Ross et al.	.....	606/166
D615,651	S *	5/2010	Hoffmann et al.	.....	D24/150
7,744,614	B2 *	6/2010	Gayheart et al.	.....	606/166
D633,203	S *	2/2011	Weston et al.	.....	D24/150
2010/0211051	A1 *	8/2010	Weston et al.	.....	606/1

\* cited by examiner

*Primary Examiner* — Ian Simmons

*Assistant Examiner* — Carissa C Fitts

(74) *Attorney, Agent, or Firm* — Ira S. Dorman

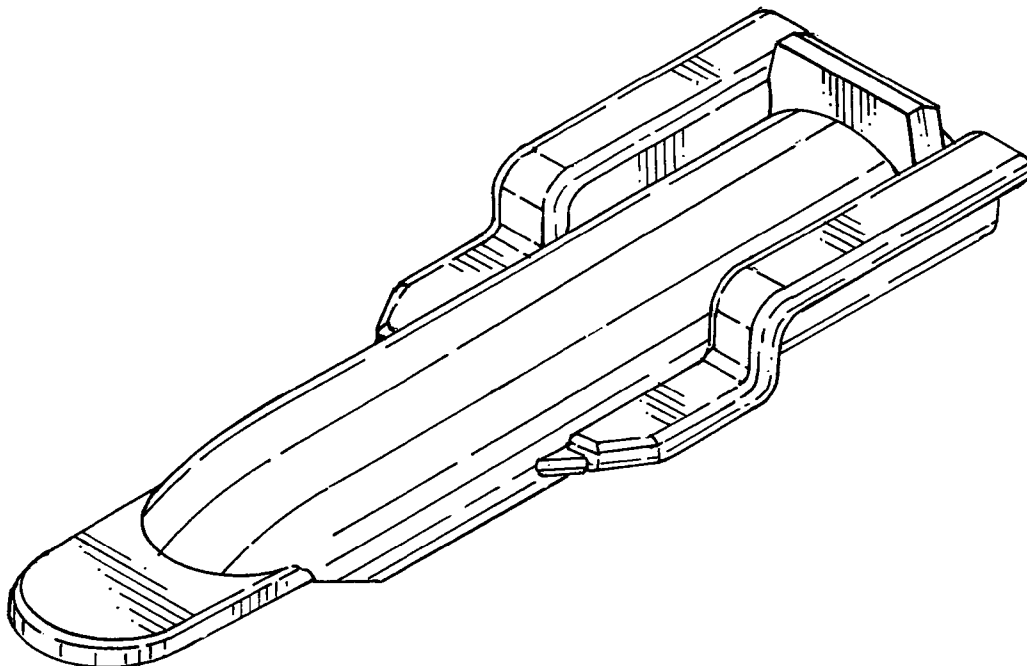
(57) **CLAIM**

The ornamental design for a cartridge for endothelial corneal grafts, as shown and described.

**DESCRIPTION**

FIG. 1 is a perspective view of a cartridge for endothelial corneal grafts embodying the present invention; FIG. 2 is a top plan view of the cartridge of FIG. 1; FIG. 3 is a bottom view of the cartridge; FIG. 4 is a side elevational view of the cartridge (the opposite side elevational view being a mirror image thereof); FIG. 5 is a rear view of the cartridge, drawn to a scale enlarged from that of the previous figures; and, FIG. 6 is a front view of the cartridge, drawn to the scale of FIG. 5.

**1 Claim, 3 Drawing Sheets**



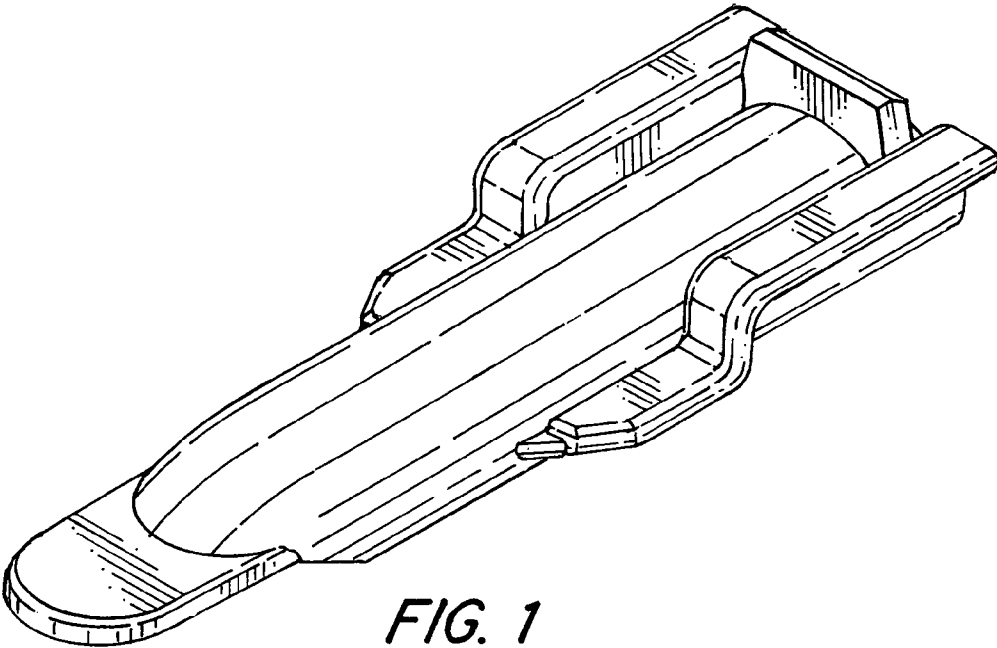


FIG. 1

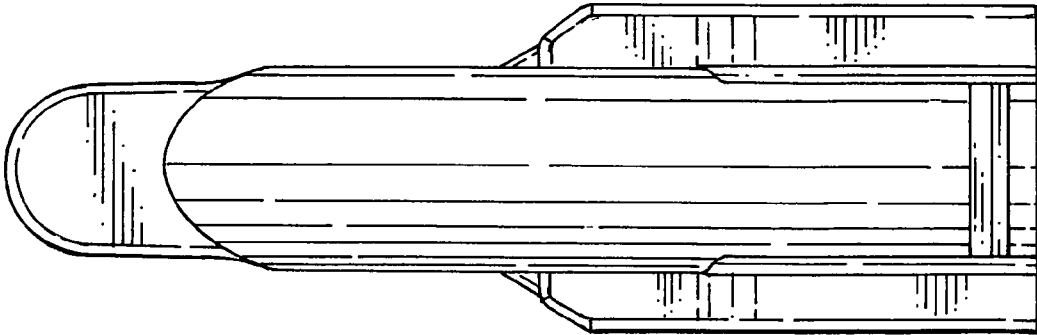
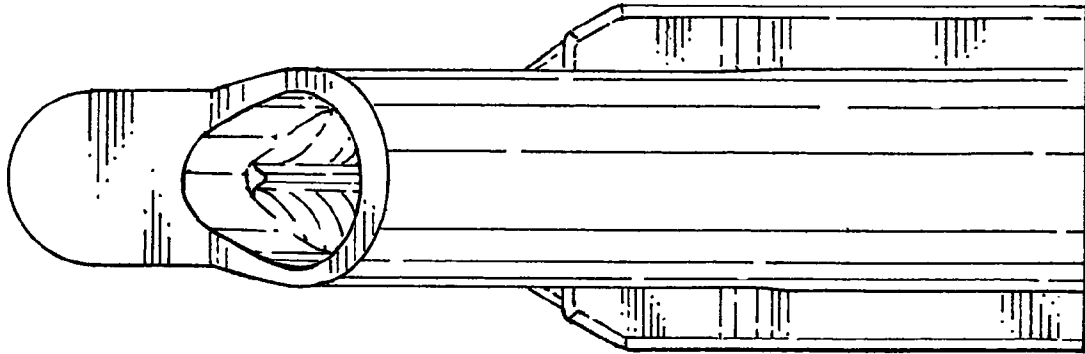
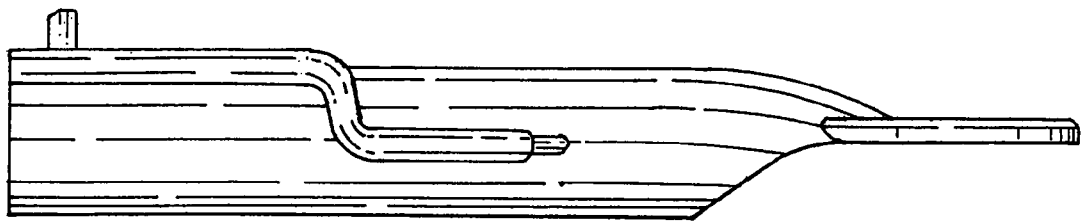


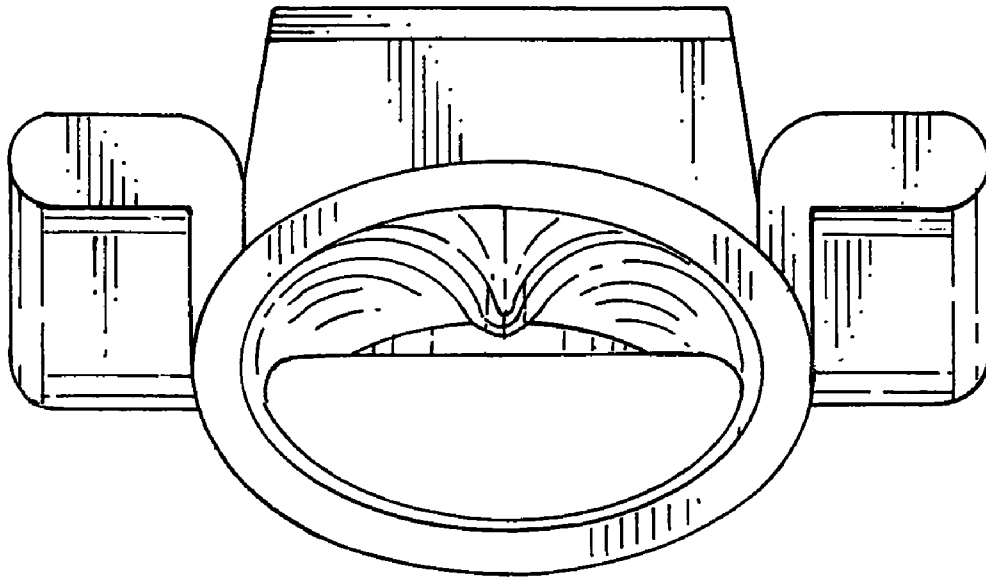
FIG. 2



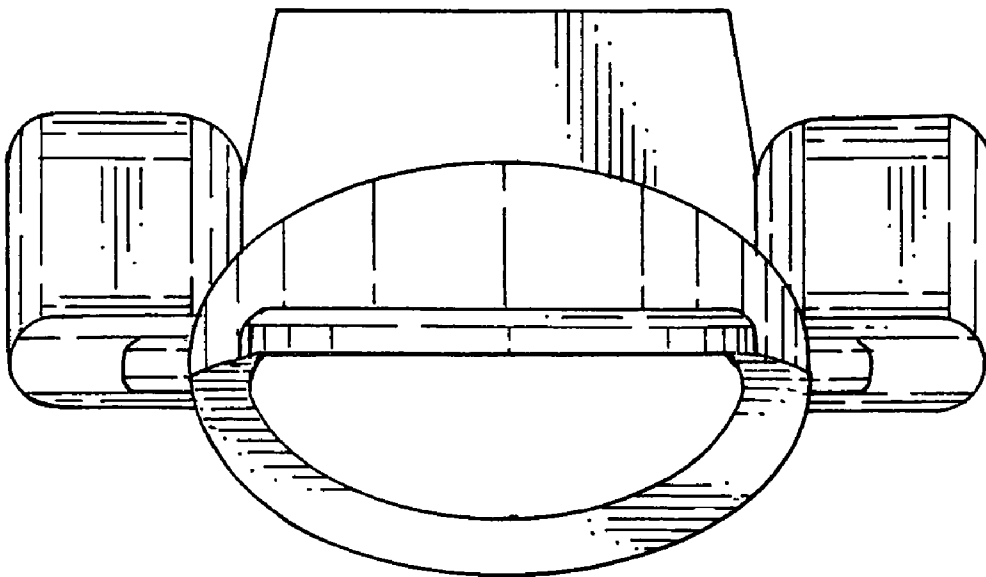
*FIG. 3*



*FIG. 4*



*FIG. 5*



*FIG. 6*