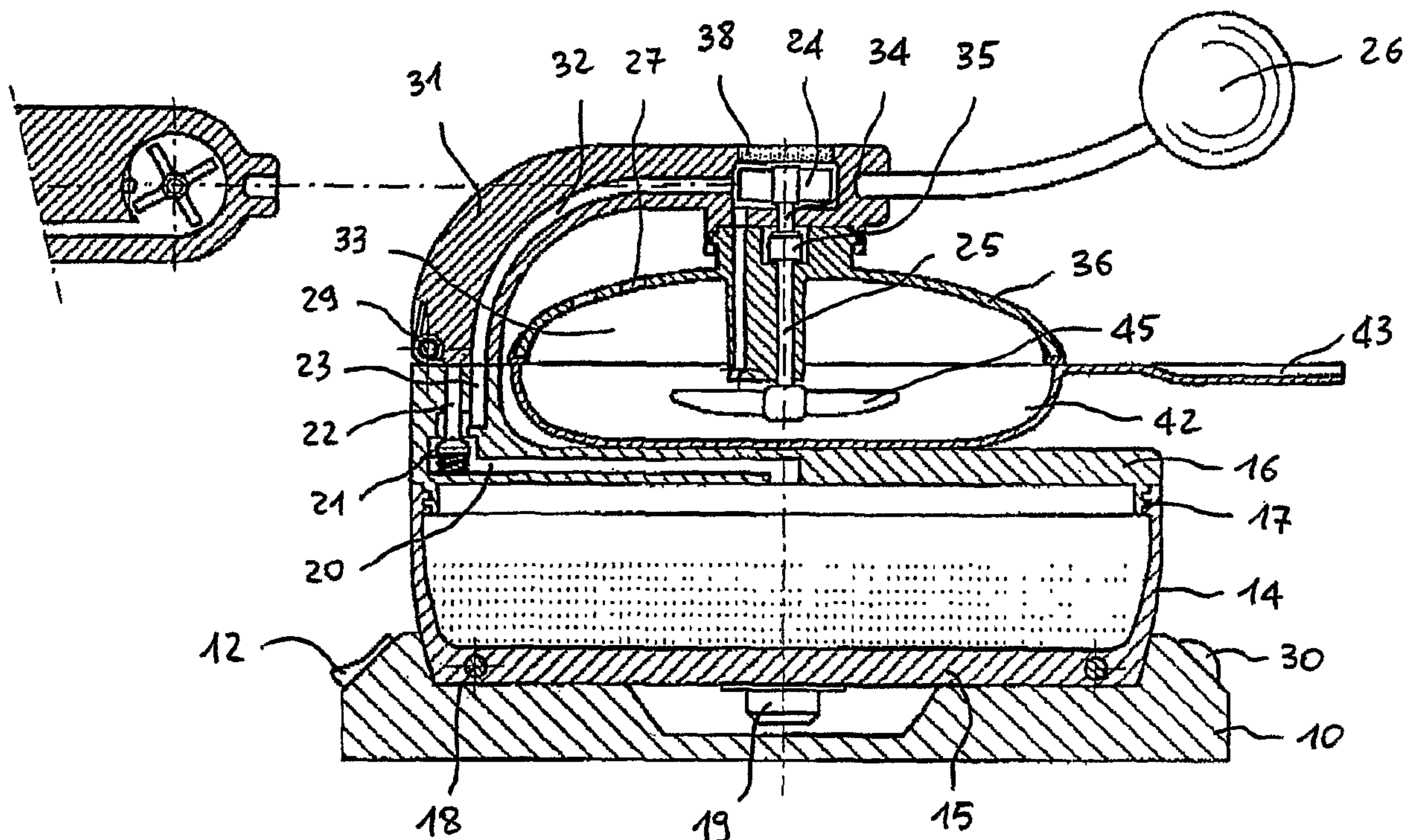




(86) Date de dépôt PCT/PCT Filing Date: 2004/07/22
 (87) Date publication PCT/PCT Publication Date: 2005/02/17
 (85) Entrée phase nationale/National Entry: 2006/01/20
 (86) N° demande PCT/PCT Application No.: EP 2004/008251
 (87) N° publication PCT/PCT Publication No.: 2005/013779
 (30) Priorité/Priority: 2003/07/23 (MI2003A001513) IT

(51) Cl.Int./Int.Cl. *A47J 27/10* (2006.01),
A23L 1/01 (2006.01)
 (71) Demandeur/Applicant:
BARGIACCHI, ROGER MANUEL, BE
 (72) Inventeur/Inventor:
BARGIACCHI, ROGER MANUEL, BE
 (74) Agent: MARKS & CLERK

(54) Titre : APPAREIL ELECTROMENAGER DE CUISSON A LA VAPEUR
 (54) Title: ELECTRIC HOUSEHOLD APPLIANCE FOR STEAM COOKING



(57) Abrégé/Abstract:

An electric household appliance for steam cooking is disclosed, suitable in particular but not exclusively for preparing the so called scrambled eggs, comprising: a basement; a body formed by two separable components, whose lower component comprises the water tank and the resistor for its heating, while the upper component, comprising a spring valve for the steam passage, forms a bearing surface; a container for the food to be cooked, to be placed on the bearing surface; a closure lid with a food mixing device; and an arm, comprising a conduit which allows the diffusion of the steam in the food container and a turbine fan, activated by the steam, which allows the movement of the food mixture device. This appliance allows to steam the food in a quick and healthy way and it is simple, economic and easy to clean.

(12) INTERNATIONAL APPLICATION PUBLISHED UNDER THE PATENT COOPERATION TREATY (PCT)

(19) World Intellectual Property
Organization
International Bureau



(43) International Publication Date
17 February 2005 (17.02.2005)

PCT

(10) International Publication Number
WO 2005/013779 A1

(51) International Patent Classification⁷: **A47J 27/10**,
A23L 1/01

(21) International Application Number:
PCT/EP2004/008251

(22) International Filing Date: 22 July 2004 (22.07.2004)

(25) Filing Language: English

(26) Publication Language: English

(30) Priority Data:
MI2003A001513 23 July 2003 (23.07.2003) IT

(71) Applicant and

(72) Inventor: **BARGIACCHI, Roger, Manuel** [IT/BE]; 61
Rue Otlet, B-1070 Bruxelles (BE).

(74) Agent: **RICCARDI, Sergio**; Via M. Melloni, 32, I-20129
Milano (IT).

(81) Designated States (*unless otherwise indicated, for every
kind of national protection available*): AE, AG, AL, AM,

AT, AU, AZ, BA, BB, BG, BR, BW, BY, BZ, CA, CH, CN,
CO, CR, CU, CZ, DE, DK, DM, DZ, EC, EE, EG, ES, FI,
GB, GD, GE, GH, GM, HR, HU, ID, IL, IN, IS, JP, KE,
KG, KP, KR, KZ, LC, LK, LR, LS, LT, LU, LV, MA, MD,
MG, MK, MN, MW, MX, MZ, NA, NI, NO, NZ, OM, PG,
PH, PL, PT, RO, RU, SC, SD, SE, SG, SK, SL, SY, TJ, TM,
TN, TR, TT, TZ, UA, UG, US, UZ, VC, VN, YU, ZA, ZM,
ZW.

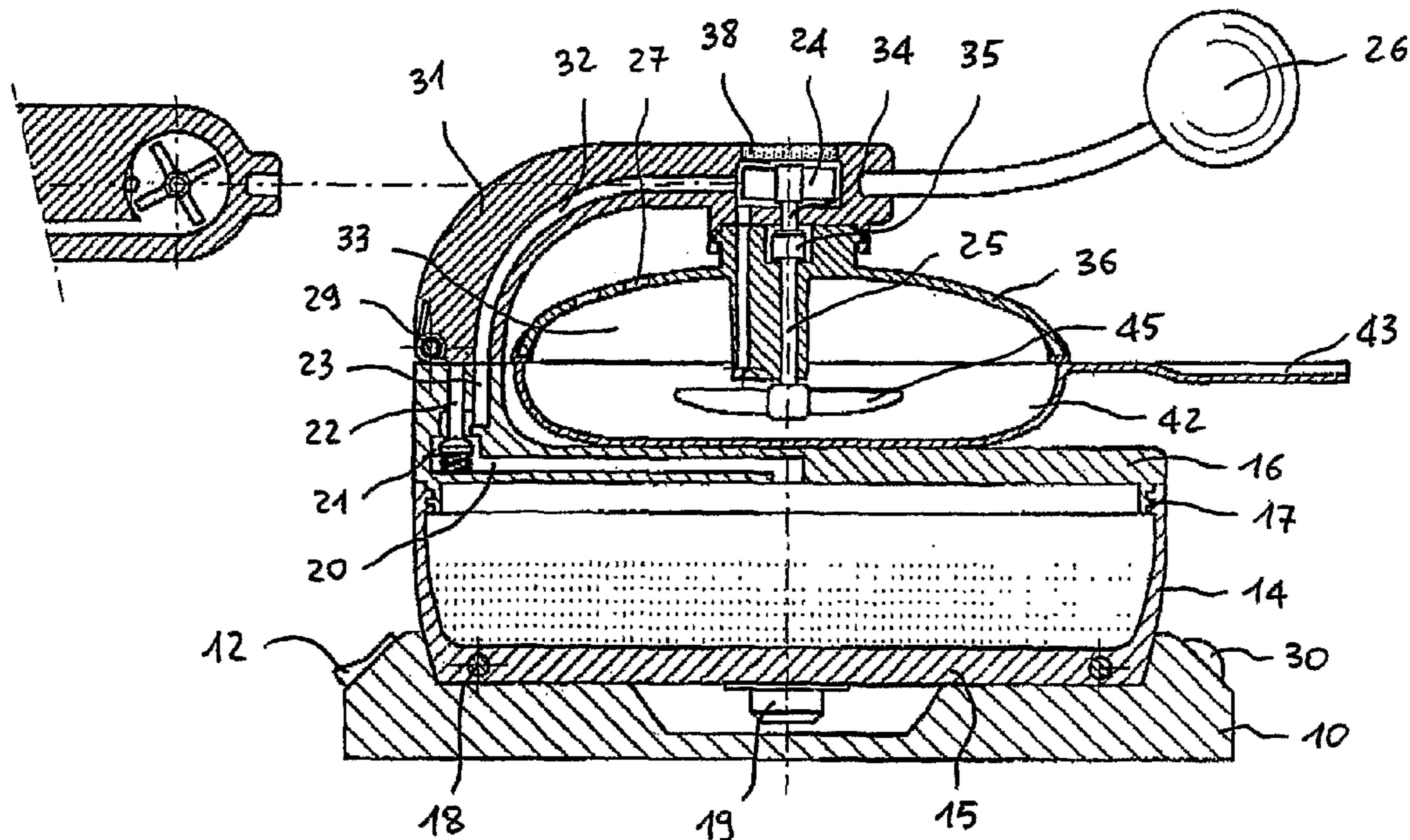
(84) Designated States (*unless otherwise indicated, for every
kind of regional protection available*): ARIPO (BW, GH,
GM, KE, LS, MW, MZ, NA, SD, SL, SZ, TZ, UG, ZM,
ZW), Eurasian (AM, AZ, BY, KG, KZ, MD, RU, TJ, TM),
European (AT, BE, BG, CH, CY, CZ, DE, DK, EE, ES, FI,
FR, GB, GR, HU, IE, IT, LU, MC, NL, PL, PT, RO, SE, SI,
SK, TR), OAPI (BF, BJ, CF, CG, CI, CM, GA, GN, GQ,
GW, ML, MR, NE, SN, TD, TG).

Published:

— with international search report

For two-letter codes and other abbreviations, refer to the "Guidance Notes on Codes and Abbreviations" appearing at the beginning of each regular issue of the PCT Gazette.

(54) Title: ELECTRIC HOUSEHOLD APPLIANCE FOR STEAM COOKING



(57) Abstract: An electric household appliance for steam cooking is disclosed, suitable in particular but not exclusively for preparing the so called scrambled eggs, comprising: a basement; a body formed by two separable components, whose lower component comprises the water tank and the resistor for its heating, while the upper component, comprising a spring valve for the steam passage, forms a bearing surface; a container for the food to be cooked, to be placed on the bearing surface; a closure lid with a food mixing device; and an arm, comprising a conduit which allows the diffusion of the steam in the food container and a turbine fan, activated by the steam, which allows the movement of the food mixture device. This appliance allows to steam the food in a quick and healthy way and it is simple, economic and easy to clean.

"ELECTRIC HOUSEHOLD APPLIANCE FOR STEAM COOKING"

The present invention is about an electric household appliance for food steam
5 cooking, suitable in particular but not exclusively for preparing the so called
scrambled eggs, which is of simple and economic manufacture, its components in
contact with the food can be easily removed and accurately cleaned, and it is
portable, thus being possible its use in any room in which there is an electric socket.

The necessities of modern life require specialized electric household
10 appliances which allow to prepare the food in a hygienic and quick way, especially at
breakfast, when the available time is little and valuable. This necessity is particularly
felt for anyone who is accustomed to the so called American breakfast, in which it is
required to contemporarily prepare in the shortest time hot beverages and solid food,
possibly without activating the stoves, which require to subsequently perform the
15 cleaning of the kitchen and the used utensils.

Therefore, several electric household appliances have been provided, like
toasters, teapots, coffee machines, boilers and similar devices. A kind of food
particularly appreciated by many people in the morning is the scrambled eggs, which
actually have to be prepared in a pan on the stove, or by means of electric household
20 appliances which however require a continuous interaction between the user and the
electric household appliance during the eggs cooking and mixing phase.

The electric household appliance according to the present invention now
solves these problems, allowing to steam the food, in particular scrambled eggs, in a
quick, easy and hygienic way, without needing to use the kitchen stoves, and also in
25 a healthy way, without requiring butter or oil.

Furthermore, the electric household appliance according to the present
invention allows to optimize the use of steam with respect to similar devices of the
prior art, allowing to operate with greater safety and enabling the user to obtain the
exact indication about reaching the proper cooking degree by the food placed inside
30 the appliance.

Objects, characteristics and advantages of the appliance in question will be
clear and evident from the following detailed description, with reference to the
annexed figures of illustrative drawings, wherein:

Figure 1 is a sectional view of the appliance, in opened position;

Figure 2 shows a detail of a component of the appliance;

Figure 3 is a sectional view of the appliance assembled and ready to be used, and it shows a detail of the steam relief valve; and

Figure 4 is a top view of the appliance assembled and ready to be used.

Referring to the aforesaid figures of the annexed drawings, the appliance according to the present invention comprises an annular basement 10, in which an on/off switch 12, a pilot light 30, a feeding cable (not shown in the drawings) for the current input and the connection to the resistor (not shown too) contained in the appliance's body are provided.

The appliance's body is disposed in the basement 10, said body consisting of two components 14, 16, one engageable with the other for instance by a couple of screwing turns 17. The lower component 14 forms the water tank and comprises the resistor 18, embedded in said component's bottom 15, for heating the water, and the thermostat 19 applied below it. The upper component 16 forms a bearing surface, inside which the conduit 20 for the steam passage, the valve 21 which allows or prevents the passage of the steam in the conduit 23 and the piston pin 22 for controlling the valve 21 are arranged. In the upper component 16 a cap 37 is furthermore present, able to allow the loading of the water inside the tank 14 and normally provided with a safety valve. An arm 31, comprising a conduit 32 matching the conduit 23, is hinged to the body 16 by a torsion spring 29, said arm 31 furthermore comprising a turbine 24 splined on a shaft 34. The arm 31 ends with a handling knob 26, made of wood or of other thermal insulating material. In the upper portion of the arm 31, over the turbine 24, a disc 38 made of transparent material, like glass or the like, is placed, allowing the user to control the actual rotation of the turbine 24 during the appliance working.

The appliance according to the present invention further comprises a pan-shaped container 42, provided with a handle 43 made of thermal insulating material, in which the food to be cooked is placed, and a lid 36, provided with seal gaskets 28 and one or more slits 27 for the steam outlet, suitable for being coupled with said container 42. Said lid 36 is engageable under the arm 31, for instance by fitting or by screwing turns, and it comprises a pin 35 able to be inserted in the shaft 34, to transfer the motion of said shaft 34 to a mixing rod 25 ending with a device consisting of rotating blades 45, and a conduit 33, forming a continuation of the conduit 32 obtained in the arm 31, which allows the diffusion of the steam inside the container

42, where the food to be cooked is placed.

To enable the working of the appliance, once disposed the eggs or other food to be cooked inside the container 42, the user acts on the handling knob 26, in order to bring together the lid 36 and the container 42 for granting the seal. With this movement, the piston pin 22, acting on the spring of the valve 21, opens said valve 21, allowing the steam generated in the lower component 14 of the appliance and conveyed in the conduit 20 to pass in the subsequent conduit 23 and thus in the conduits 32 and 33, said steam reaching at last the container 42, where it will be used for cooking the food. The user maintains pressed the lid 36 on the container 42 for all the cooking time. Advantageously, the steam under pressure furthermore produces the movement of the turbine 24, and consequently of the bladed device 45, which allows the automatic mixing of the food during its cooking phase. Once the eggs or the food placed inside the container 42 are cooked, because of the greater friction, due for instance to the eggs solidification, encountered by the bladed device during its rotating movement, or when the vapor pressure exceeds a predetermined limit value, the stopping of the turbine 24 occurs. The user, seeing through the transparent disc 38 said stopping of the turbine 24, releases the handling knob 26: the arm 31 thus returns to its vertical position, pushed by the torsion spring 29, while the piston pin 22, returning to its rest position, causes the closure of the valve 21 and consequently blocks the access of the vapor in the conduit 23.

From performed tests it was noticed that the food is properly cooked in a surprisingly short time, thus obtaining also a saving of time and electric energy.

The appliance according to the present invention could be made of the most suitable metallic and/or plastic materials, according to the function of its different components, while the handling knob 26 of the element 31 and/or the handle 43 of the container 42 could be made of wood or other thermal insulating material. The interior of the container 42 will be preferably coated with anti-adherent material.

It is therefore evident that the appliance fully achieves the intended objects, but alterations, additions and/or replacements of elements could be made without falling outside the scope of protection of the invention, as it is also defined in the appended claims. For example, the position of the valves for supplying and discharging the steam, the housing system of the container in the upper component of the body and/or the joining system of the two components of the body could be different from that shown in the drawings.

CLAIMS

1. An electric household appliance for steam cooking comprising: a basement (10), in which an on/off switch (12) and a pilot light (30) are provided; a body formed by two components, whose lower component (14) comprises the water tank and the resistor (18) for its heating, while the upper component (16), forming a bearing surface, comprises at least a conduit (20) for the steam passage; a container (42) for the food to be cooked, to be placed on the bearing surface of the upper component (16) of the body, characterized in that an arm (31) is hinged to said upper component (16), comprising at least a conduit (32) for the steam passage, and a lid (36) for said container (42), engageable under the arm (31), comprising at least a device (45) for mixing the food and at least a conduit (33) forming a continuation of said at least a conduit (32) obtained in said arm (31), which allows the diffusion of the steam in said container (42) for cooking the food.
2. The appliance according to claim 1, characterized in that the passage of the steam from the upper component (16) of said appliance to said arm (31) is governed by at least a spring valve (21).
3. The appliance according to claim 2, characterized in that said spring valve (21) comprises at least a control piston pin (22), activated by said arm (31) when such arm is brought in its closure position by the user to start the food cooking.
4. The appliance according to the preceding claims, characterized in that said arm (31) comprises at least a turbine (24) activated by the steam under pressure introduced in said conduit (32) by the opening of said spring valve (21).
5. The appliance according to claim 1, characterized in that said arm (31) is hinged to the upper component (16) of said appliance by a torsion spring (29), which allows the automatic interruption of the steam delivery when the user releases said arm (31).
6. The appliance according to the preceding claims, characterized in that said food mixing device (45) consists of rotating blades activated by the rotation of said turbine (24) through a mixing rod (25).
7. The appliance according to claim 1, characterized in that said lid (36) is joined to said arm (31) by screwing.
8. The appliance according to claim 1, characterized in that said lid (36) is joined to said arm by fitting.

9. The appliance according to claim 1, characterized in that in the upper portion of said arm (31), over the turbine (24), a disc (38) made of transparent material is placed, allowing the user to control the actual rotation of the turbine (24) during the working of said appliance.
- 5 10. The appliance according to claim 1, characterized in that said lid (36) comprises at least a slit (27) for the steam outlet during the food cooking phase.
11. The appliance according to claim 1, characterized in that said arm ends with a handling knob (26) made of thermal insulating material.
12. The appliance according to claim 1, characterized in that said container (42) is
0 provided with a handle (43) made of thermal insulating material.
13. The appliance according to claim 1, characterized in that said upper component (16) of said appliance comprises a cap (37), provided with a safety valve, for loading the water in the tank (14).

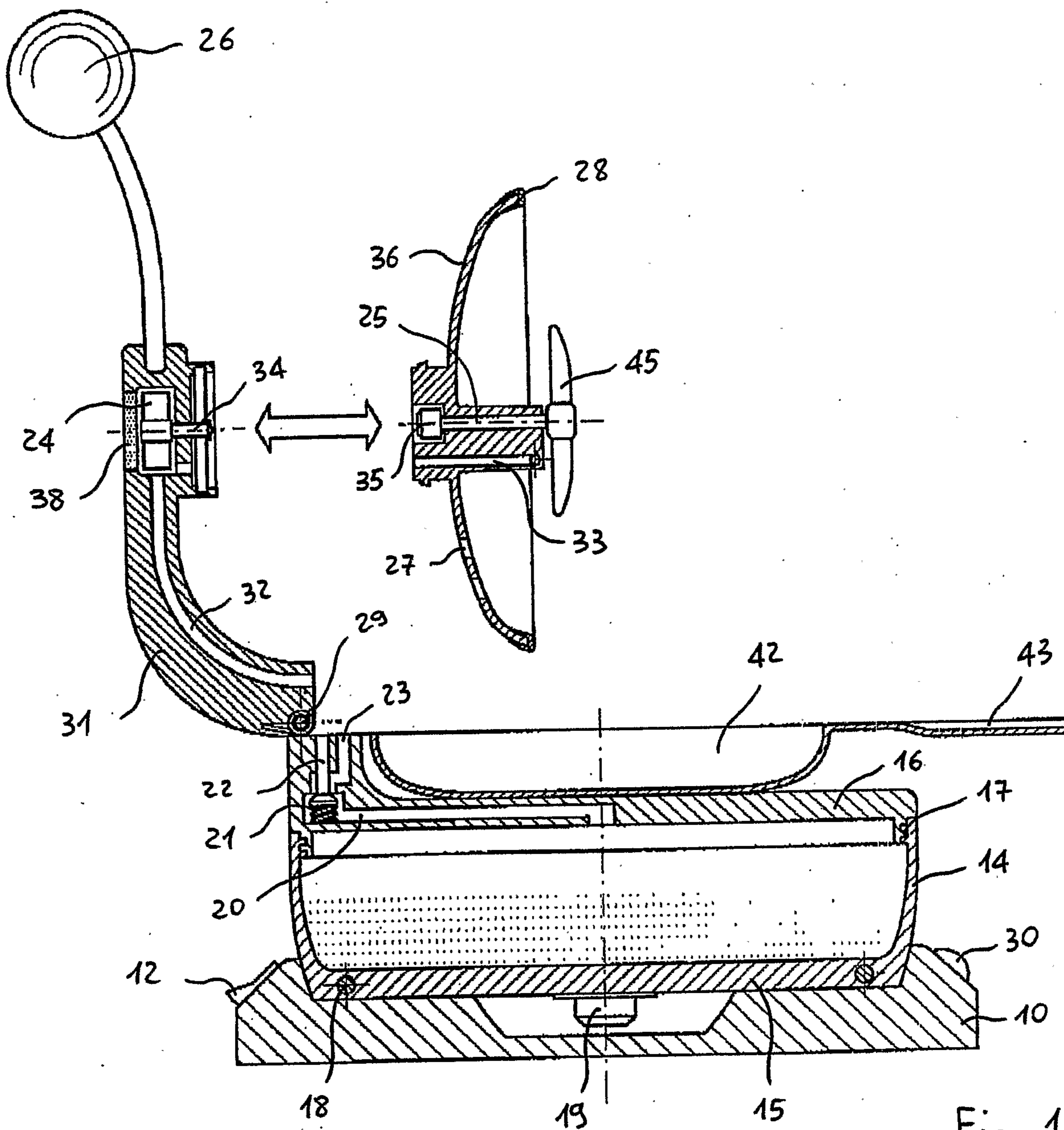


Fig. 1

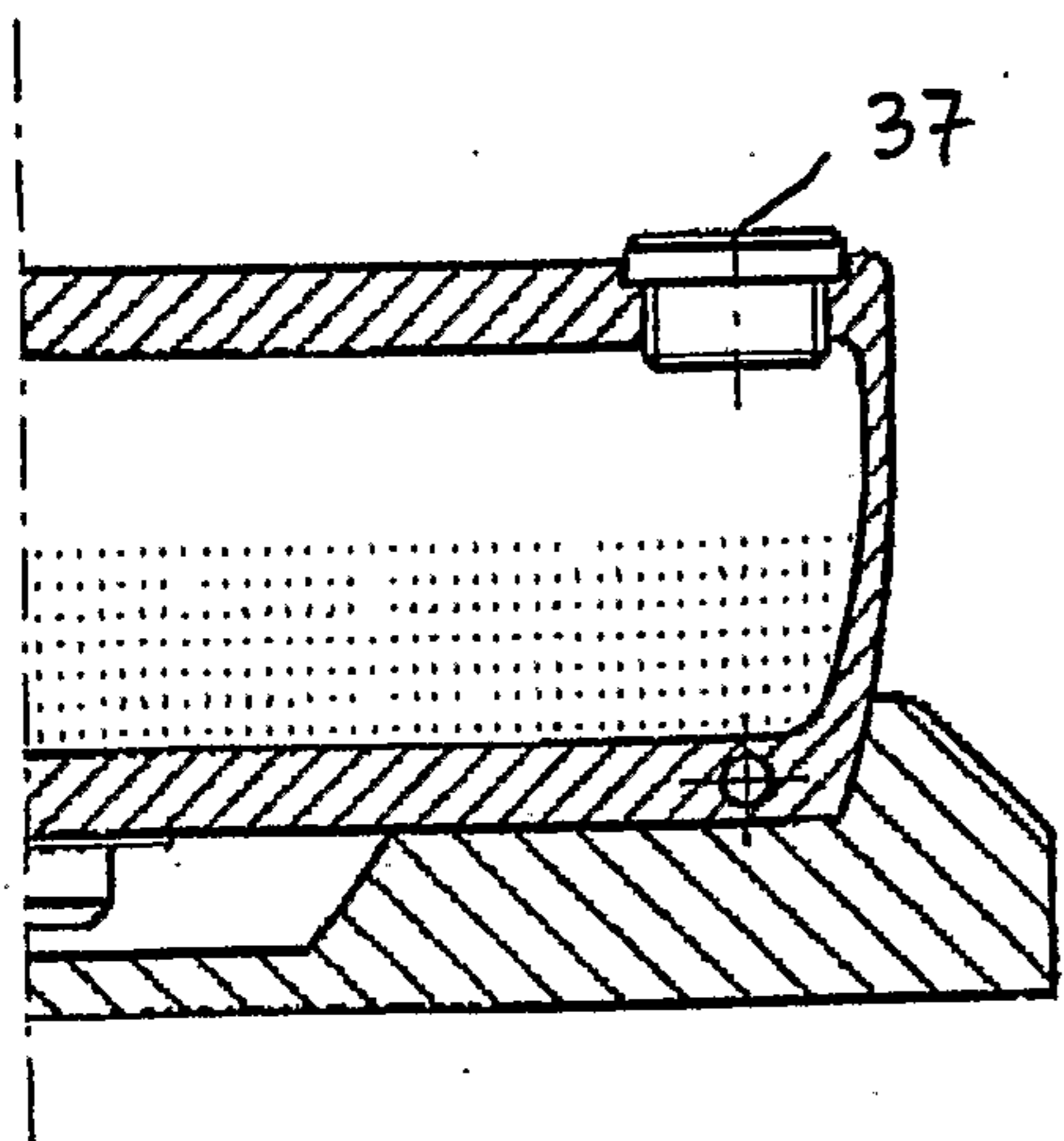


Fig. 2

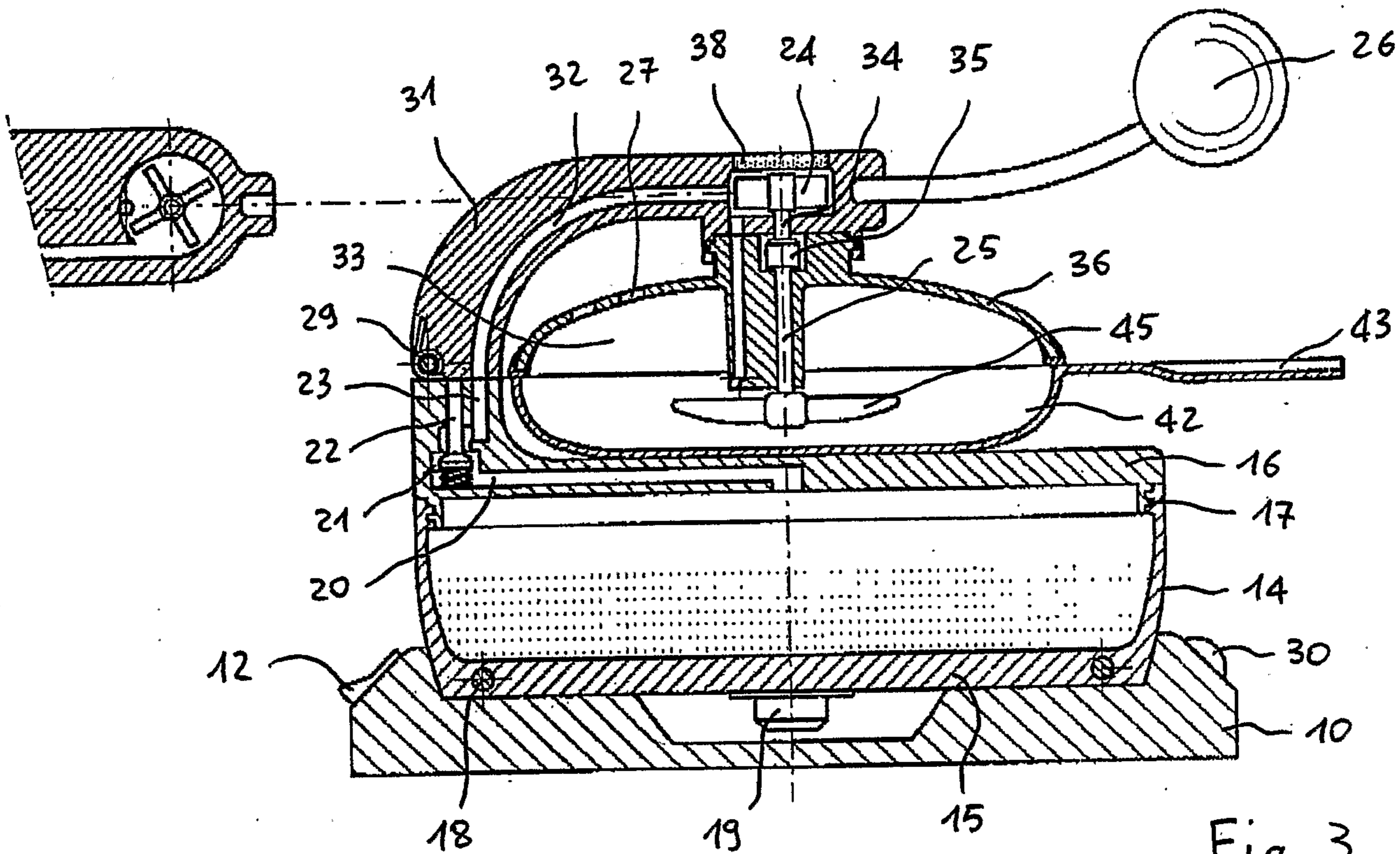


Fig. 3

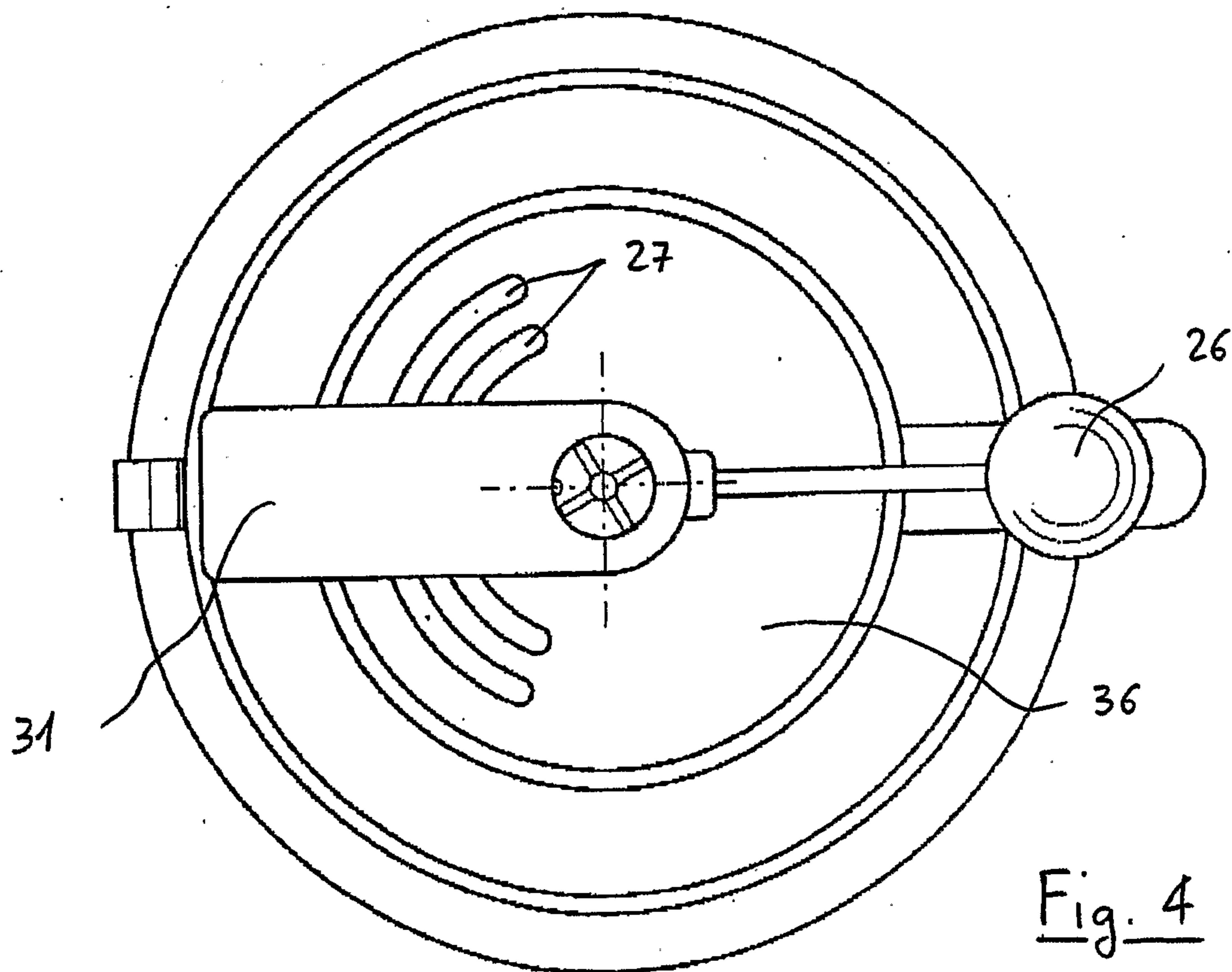


Fig. 4

