

(19) World Intellectual Property Organization  
International Bureau



(43) International Publication Date  
21 October 2010 (21.10.2010)

(10) International Publication Number  
**WO 2010/120911 A3**

(51) International Patent Classification:  
A61F 2/44 (2006.01)

(21) International Application Number:  
PCT/US2010/031071

(22) International Filing Date:  
14 April 2010 (14.04.2010)

(25) Filing Language: English

(26) Publication Language: English

(30) Priority Data:  
12/424,880 16 April 2009 (16.04.2009) US

(71) Applicant (for all designated States except US): WAR-  
SAW ORTHOPEDIC, INC. [US/US]; 2500 Silveus  
Crossing, Warsaw, Indiana 46581 (US).

(72) Inventors; and

(75) Inventors/Applicants (for US only): CAPOTE, Marco,  
D. [US/US]; 680 Parthenon Ct., Lafayette, Colorado  
80026 (US). DEWEY, Jonathan, M. [US/US]; 762 Palo-  
mar Avenue, Sunnyvale, California 94085 (US).  
DROCHNER, Thomas, E. [US/US]; 1339 Island Ridge

Drive, Memphis, Tennessee 38103 (US). DVORAK,  
Marcel [CA/CA]; 4188 W. King Edward Avenue, Van-  
couver, British Columbia V65 IN3 (CA). FISHER,  
Charles, G. [CA/CA]; 5559 Aima Street, Vancouver,  
British Columbia VGN Y2 (CA). MELKENT, Anthony,  
J. [US/US]; 225 Lombardy, Memphis, Tennessee 38111  
(US). MILLER, Keith, E. [US/US]; 7348 Bellville  
Drive, Germantown, Tennessee 38138 (US). RAMPER-  
SAUD, Y. Raja [CA/CA]; 11 Riverside Trail, Toronto,  
Ontario M6S 1G6 (CA). STEWART, Ronald, G.  
[US/US]; 2089 Clayton Place, Germantown, Tennessee  
38139 (US).

(74) Agents: HERNANDEZ, Gilberto et al.; 710 Medtronic  
Parkway Ms LC340, Minneapolis, Minnesota 55432  
(US).

(81) Designated States (unless otherwise indicated, for every  
kind of national protection available): AE, AG, AL, AM,  
AO, AT, AU, AZ, BA, BB, BG, BH, BR, BW, BY, BZ,  
CA, CH, CL, CN, CO, CR, CU, CZ, DE, DK, DM, DO,  
DZ, EC, EE, EG, ES, FI, GB, GD, GE, GH, GM, GT,  
HN, HR, HU, ID, IL, IN, IS, JP, KE, KG, KM, KN, KP,  
KR, KZ, LA, LC, LK, LR, LS, LT, LU, LY, MA, MD,

[Continued on next page]

(54) Title: MINIMALLY INVASIVE EXPANDABLE CONTAINED VERTEBRAL IMPLANT AND METHOD

(57) Abstract: Embodiments of the invention include ex-  
pandable, implantable devices and methods. Devices ex-  
pand linearly within the volume of a membrane and later-  
ally to provide secure fixation between or among anatomical  
structures. In some embodiments, an implant replaces one  
or more vertebral bodies, or portions of vertebral bodies, of  
the spine.

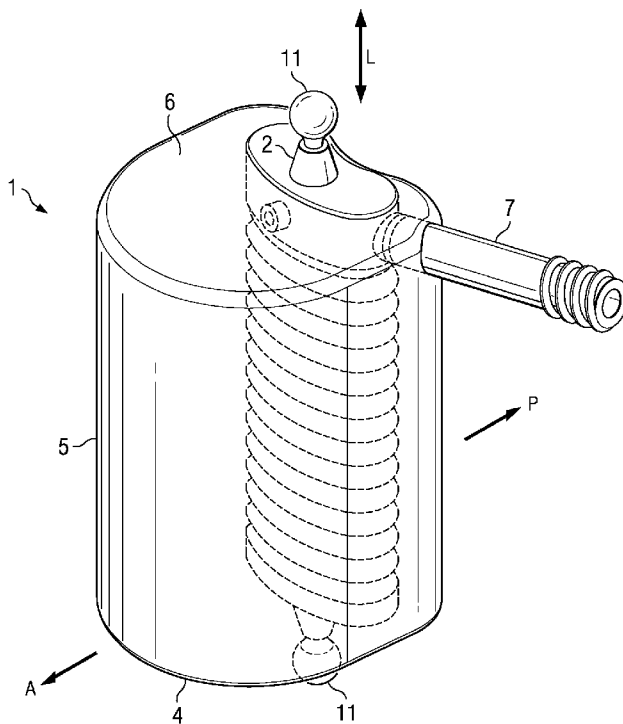
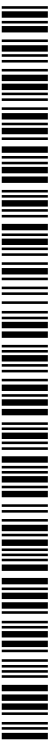


FIG. 3



WO 2010/120911 A3



ME, MG, MK, MN, MW, MX, MY, MZ, NA, NG, NI, NO, NZ, OM, PE, PG, PH, PL, PT, RO, RS, RU, SC, SD, SE, SG, SK, SL, SM, ST, SV, SY, TH, TJ, TM, TN, TR, TT, TZ, UA, UG, US, UZ, VC, VN, ZA, ZM, ZW.

TR), OAPI (BF, BJ, CF, CG, CI, CM, GA, GN, GQ, GW, ML, MR, NE, SN, TD, TG).

**(84) Designated States** (unless otherwise indicated, for every kind of regional protection available): ARIPO (BW, GH, GM, KE, LR, LS, MW, MZ, NA, SD, SL, SZ, TZ, UG, ZM, ZW), Eurasian (AM, AZ, BY, KG, KZ, MD, RU, TJ, TM), European (AT, BE, BG, CH, CY, CZ, DE, DK, EE, ES, FI, FR, GB, GR, HR, HU, IE, IS, IT, LT, LU, LV, MC, MK, MT, NL, NO, PL, PT, RO, SE, SI, SK, SM,

**Published:**

- with international search report (Art. 21(3))
- before the expiration of the time limit for amending the claims and to be republished in the event of receipt of amendments (Rule 48.2(h))

**(88) Date of publication of the international search report:**  
3 February 2011

## INTERNATIONAL SEARCH REPORT

International application No

PCT/US2010/031071

## A. CLASSIFICATION OF SUBJECT MATTER

INV. A61F2/44  
ADD.

According to International Patent Classification (IPC) or to both national classification and IPC

## B. FIELDS SEARCHED

Minimum documentation searched (classification system followed by classification symbols)  
A61F

Documentation searched other than minimum documentation to the extent that such documents are included in the fields searched

Electronic data base consulted during the international search (name of data base and, where practical, search terms used)

EPO-Internal

## C. DOCUMENTS CONSIDERED TO BE RELEVANT

Category*	Citation of document, with indication, where appropriate, of the relevant passages	Relevant to claim No.
X	US 2004/249462 A1 (HUANG SHIH-SHING [TW]) 9 December 2004 (2004-12-09) paragraphs [0014], [ 0018], [0021], [ 0024]	1, 3-6, 11-13
X	WO 2006/053210 A1 (MEDTRONIC INC [US]) 18 May 2006 (2006-05-18) page 9, line 14 - line 17 page 6, line 18 - page 7, line 2	1
A	WO 2008/148210 A1 (UNIV MCGILL [CA]; JARZEM PETER [CA]; OUELLET JEAN [CA]; FERRONE MARCO) 11 December 2008 (2008-12-11) paragraph [0033]; figure 1	1
	----- -/--	

 Further documents are listed in the continuation of Box C. See patent family annex.

\* Special categories of cited documents :

"A" document defining the general state of the art which is not considered to be of particular relevance

"E" earlier document but published on or after the international filing date

"L" document which may throw doubts on priority claim(s) or which is cited to establish the publication date of another citation or other special reason (as specified)

"O" document referring to an oral disclosure, use, exhibition or other means

"P" document published prior to the international filing date but later than the priority date claimed

"T" later document published after the international filing date or priority date and not in conflict with the application but cited to understand the principle or theory underlying the invention

"X" document of particular relevance; the claimed invention cannot be considered novel or cannot be considered to involve an inventive step when the document is taken alone

"Y" document of particular relevance; the claimed invention cannot be considered to involve an inventive step when the document is combined with one or more other such documents, such combination being obvious to a person skilled in the art.

"&amp;" document member of the same patent family

Date of the actual completion of the international search

9 December 2010

Date of mailing of the international search report

20/12/2010

Name and mailing address of the ISA/

European Patent Office, P.B. 5818 Patentlaan 2  
NL - 2280 HV Rijswijk  
Tel. (+31-70) 340-2040,  
Fax: (+31-70) 340-3016

Authorized officer

Korth, C

## INTERNATIONAL SEARCH REPORT

International application No

PCT/US2010/031071

C(Continuation). DOCUMENTS CONSIDERED TO BE RELEVANT		
Category*	Citation of document, with indication, where appropriate, of the relevant passages	Relevant to claim No.
A	US 3 867 728 A (STUBSTAD JAMES A ET AL) 25 February 1975 (1975-02-25) figure 9 -----	1
A	FR 2 774 581 A1 (DIMSO SA [FR]) 13 August 1999 (1999-08-13) figure 2 -----	1
A	US 2003/191536 A1 (FERREE BRET A [US]) 9 October 2003 (2003-10-09) figure 8 -----	1

# INTERNATIONAL SEARCH REPORT

Information on patent family members

International application No

PCT/US2010/031071

Patent document cited in search report	Publication date	Publication date	Patent family member(s)	Publication date
US 2004249462	A1	09-12-2004	NONE	
WO 2006053210	A1	18-05-2006	US 2006106461 A1	18-05-2006
WO 2008148210	A1	11-12-2008	US 2010204794 A1	12-08-2010
US 3867728	A	25-02-1975	CA 992255 A1 DE 2203242 A1 FR 2124815 A5 GB 1306660 A SE 391122 B	06-07-1976 10-08-1972 22-09-1972 14-02-1973 07-02-1977
FR 2774581	A1	13-08-1999	AT 303104 T AU 2428399 A CA 2320821 A1 DE 69926995 D1 DE 1054638 T1 EP 1054638 A1 ES 2151876 T1 WO 9940866 A1 JP 2002502662 T US 6440169 B1	15-09-2005 30-08-1999 19-08-1999 06-10-2005 03-05-2001 29-11-2000 16-01-2001 19-08-1999 29-01-2002 27-08-2002
US 2003191536	A1	09-10-2003	NONE	