

(19) World Intellectual Property Organization
International Bureau



(43) International Publication Date
26 April 2007 (26.04.2007)

PCT

(10) International Publication Number
WO 2007/047437 A3

(51) International Patent Classification:
F21V 7/04 (2006.01)

(21) International Application Number:
PCT/US2006/040092

(22) International Filing Date: 12 October 2006 (12.10.2006)

(25) Filing Language: English

(26) Publication Language: English

(30) Priority Data:
11/253,174 18 October 2005 (18.10.2005) US

(71) Applicant (for all designated States except US): **GOLD-ENEYE, INC.** [US/US]; 9747 BUSINESSPARK AVENUE, SUITE 233, San Diego, CA 92131 (US).

(72) Inventors; and

(75) Inventors/Applicants (for US only): **BEESON, Karl, W.** [US/US]; 269 CHRISTOPHER DRIVE, Princeton, NJ 08540 (US). **ZIMMERMAN, Scott, M.** [US/US]; 230 WOODS END DRIVE, Baskin Ridge, NJ 07920 (US).

(74) Agent: **PROPP, William**; GOLDENEYE, INC., 9747 BUSINESSPARK AVENUE, SUITE 233, San Diego, CA 92131 (US).

(81) Designated States (unless otherwise indicated, for every kind of national protection available): AE, AG, AL, AM,

AT, AU, AZ, BA, BB, BG, BR, BW, BY, BZ, CA, CH, CN, CO, CR, CU, CZ, DE, DK, DM, DZ, EC, EE, EG, ES, FI, GB, GD, GE, GH, GM, HN, HR, HU, ID, IL, IN, IS, JP, KE, KG, KM, KN, KP, KR, KZ, LA, LC, LK, LR, LS, LT, LU, LV, LY, MA, MD, MG, MK, MN, MW, MX, MY, MZ, NA, NG, NI, NO, NZ, OM, PG, PH, PL, PT, RO, RS, RU, SC, SD, SE, SG, SK, SL, SM, SV, SY, TJ, TM, TN, TR, TT, TZ, UA, UG, US, UZ, VC, VN, ZA, ZM, ZW.

(84) Designated States (unless otherwise indicated, for every kind of regional protection available): ARIPO (BW, GH, GM, KE, LS, MW, MZ, NA, SD, SL, SZ, TZ, UG, ZM, ZW), Eurasian (AM, AZ, BY, KG, KZ, MD, RU, TJ, TM), European (AT, BE, BG, CH, CY, CZ, DE, DK, EE, ES, FI, FR, GB, GR, HU, IE, IS, IT, LT, LU, LV, MC, NL, PL, PT, RO, SE, SI, SK, TR), OAPI (BF, BJ, CF, CG, CI, CM, GA, GN, GQ, GW, ML, MR, NE, SN, TD, TG).

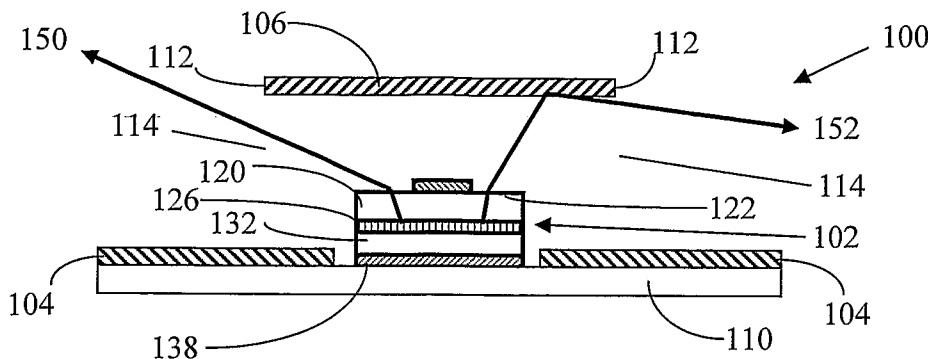
Published:

- with international search report
- before the expiration of the time limit for amending the claims and to be republished in the event of receipt of amendments

(88) Date of publication of the international search report:
21 December 2007

For two-letter codes and other abbreviations, refer to the "Guidance Notes on Codes and Abbreviations" appearing at the beginning of each regular issue of the PCT Gazette.

(54) Title: SIDE EMITTING ILLUMINATION SYSTEMS INCORPORATING LIGHT EMITTING DIODES



(57) Abstract: The invention is a side-emitting illumination system that incorporates a light emitting diode. The side-emitting illumination system recycles a portion of the light internally generated by a light emitting diode back to the light emitting diode as externally incident light. The light emitting diode reflects the recycled light, thereby increasing the effective brightness of the light emitting diode. The light reflected by the light emitting diode is directed through the output aperture of the side-emitting illumination system, thereby increasing the output brightness and efficiency of the side-emitting illumination system. The light emitting diode reflects externally incident light with a reflectivity greater than 40 percent.

WO 2007/047437 A3

INTERNATIONAL SEARCH REPORT

International application No.

PCT/US06/40092

A. CLASSIFICATION OF SUBJECT MATTER

IPC: F21V 7/04(2006.01)

USPC: 362/612,616,628

According to International Patent Classification (IPC) or to both national classification and IPC

B. FIELDS SEARCHED

Minimum documentation searched (classification system followed by classification symbols)
U.S. : 362/612,616,628

Documentation searched other than minimum documentation to the extent that such documents are included in the fields searched

Electronic data base consulted during the international search (name of data base and, where practicable, search terms used)

C. DOCUMENTS CONSIDERED TO BE RELEVANT

Category *	Citation of document, with indication, where appropriate, of the relevant passages	Relevant to claim No.
A	US 2003/0201451 A1 (Suehiro et al) 30 October 2003, see entire document.	1-23
A	US 4,739,152 A (Downs) 19 April 1988, see entire document.	1-23
A	US 6,641,293 B2 (Kumar et al) 04 November 2003, see entire document.	1-23
A	US 7,055,991 B2 (Lin) 06 June 2006, see entire document.	1-23
A	US 7,121,691 B2 (Coushaine et al.) 17 October 2006, see entire document.	1-23

Further documents are listed in the continuation of Box C.

See patent family annex.

* Special categories of cited documents:	"T"	later document published after the international filing date or priority date and not in conflict with the application but cited to understand the principle or theory underlying the invention
"A" document defining the general state of the art which is not considered to be of particular relevance	"X"	document of particular relevance; the claimed invention cannot be considered novel or cannot be considered to involve an inventive step when the document is taken alone
"E" earlier application or patent published on or after the international filing date	"Y"	document of particular relevance; the claimed invention cannot be considered to involve an inventive step when the document is combined with one or more other such documents, such combination being obvious to a person skilled in the art
"L" document which may throw doubts on priority claim(s) or which is cited to establish the publication date of another citation or other special reason (as specified)	"&"	document member of the same patent family
"O" document referring to an oral disclosure, use, exhibition or other means		
"P" document published prior to the international filing date but later than the priority date claimed		

Date of the actual completion of the international search

13 September 2007 (13.09.2007)

Date of mailing of the international search report

23 OCT 2007

Name and mailing address of the ISA/US

Mail Stop PCT, Attn: ISA/US
Commissioner for Patents
P.O. Box 1450
Alexandria, Virginia 22313-1450

Facsimile No. (571) 273-3201

Authorized officer

Krynski William

Telephone No. 571-272-1024

