

July 4, 1939.

J. R. MORGAN

Des. 115,575

MOTOR CASING

Filed March 29, 1939

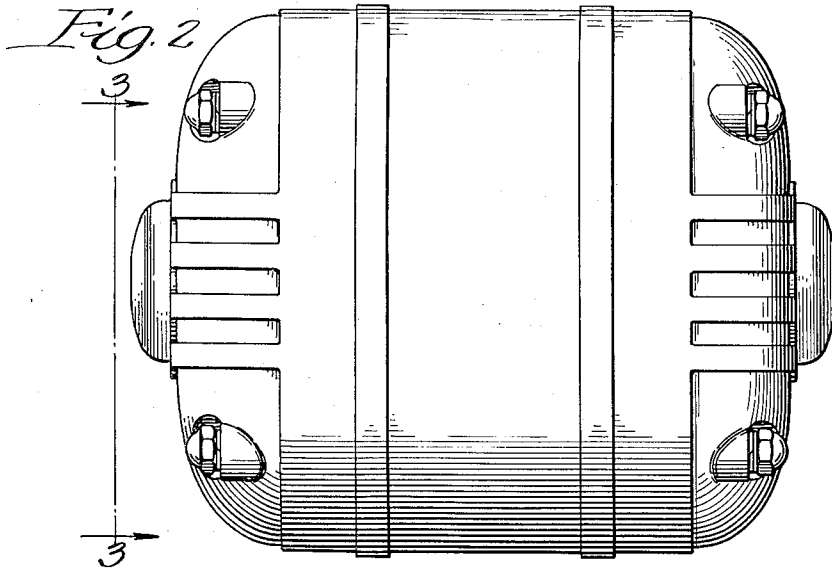


Fig. 4



Fig. 5



Fig. 1

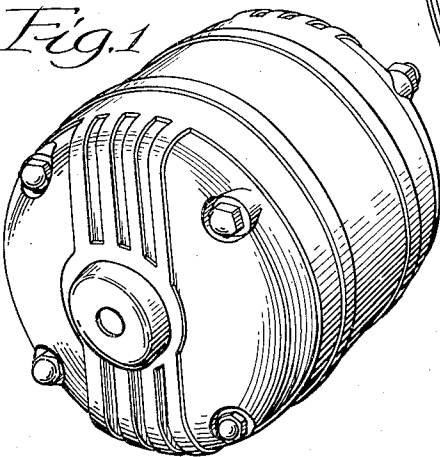
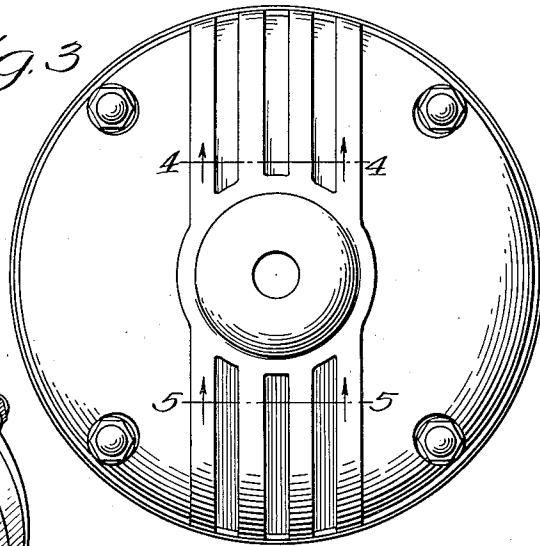


Fig. 3



Inventor:
John R. Morgan,
By Frank H. Marks
Attorney.

UNITED STATES PATENT OFFICE

115,575

DESIGN FOR A MOTOR CASING

John R. Morgan, Oak Park, Ill., assignor to
Sears, Roebuck and Co., Chicago, Ill., a cor-
poration of New York

Application March 29, 1939, Serial No. 83,895

Term of patent 7 years

To all whom it may concern:

Be it known that I, John R. Morgan, a citizen of the Republic of Guatemala, residing at Oak Park, in the county of Cook and State of Illinois, have invented a new, original, and ornamental Design for a Motor Casing, of which the following is a specification, reference being had to the accompanying drawing, forming a part thereof.

Fig. 1 is a perspective view of a motor casing embodying my new design.

Fig. 2 is a top plan view of the same.

Fig. 3 is an end elevation taken as indicated by the line 3—3 in Fig. 2.

Figs. 4 and 5 are sectional views taken as indicated by the lines 4—4 and 5—5, respectively, of Fig. 3.

I claim:

The ornamental design for a motor casing, substantially as shown.

JOHN R. MORGAN.