

(72) DILORENZO, DANIEL J., US

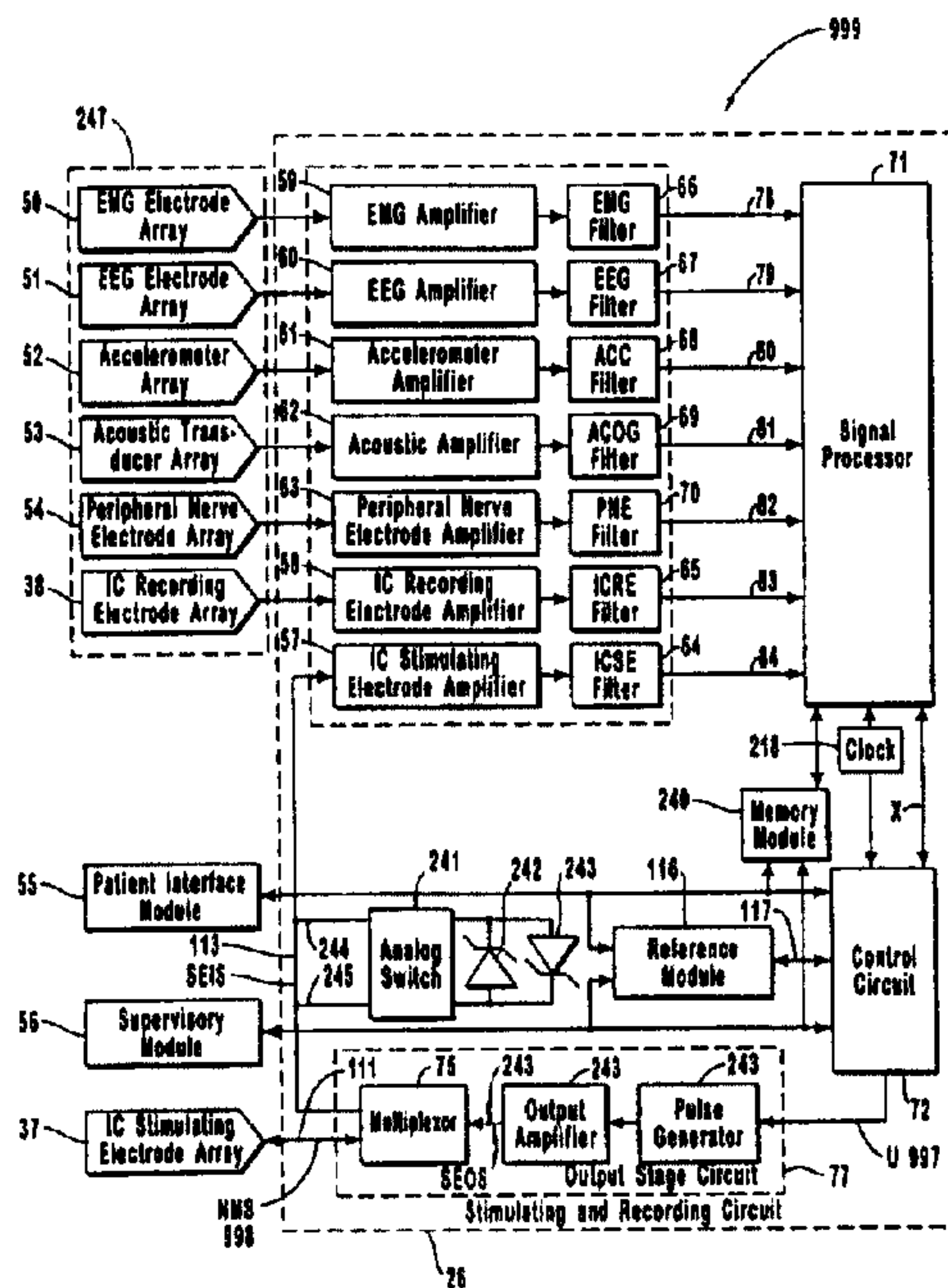
(71) DILORENZO, DANIEL J., US

(51) Int.Cl.⁷ A61N 1/08

(30) 1998/08/05 (60/095,413) US

(54) **PROCEDE ET DISPOSITIF AMELIORES DE MODULATION NEURALE POUR LE TRAITEMENT DE MALADIES NEUROLOGIQUES, EN PARTICULIER, LES MOUVEMENTS DESORDONNES**

(54) **APPARATUS AND METHOD FOR CLOSED-LOOP INTRACRANIAL STIMULATION FOR OPTIMAL CONTROL OF NEUROLOGICAL DISEASE**



(57) This invention is a neurological control system (999) for modulating activity of any component or structure comprising the entirety or portion of the nervous system, or any structure interfaced thereto, generally referred to herein as a "nervous system component". The neurological control system generates neural modulation signals delivered to a nervous system component through one or more intracranial (IC) stimulating electrodes (37) in accordance with treatment parameters. Such treatment parameters may be derived from a neural response to previously delivered neural modulation signals sensed by one or more sensors (247), each configured to sense a particular characteristic indicative of a neurological or psychiatric condition. Neural modulation signals include any control signal which enhances or inhibits cell activity. Significantly the neurological control system considers neural response, in the form of the sensory feedback, as an indication of neurological disease state, and/or responsiveness to therapy, in the determination of treatment parameters.



PCT

WORLD INTELLECTUAL PROPERTY ORGANIZATION
International Bureau

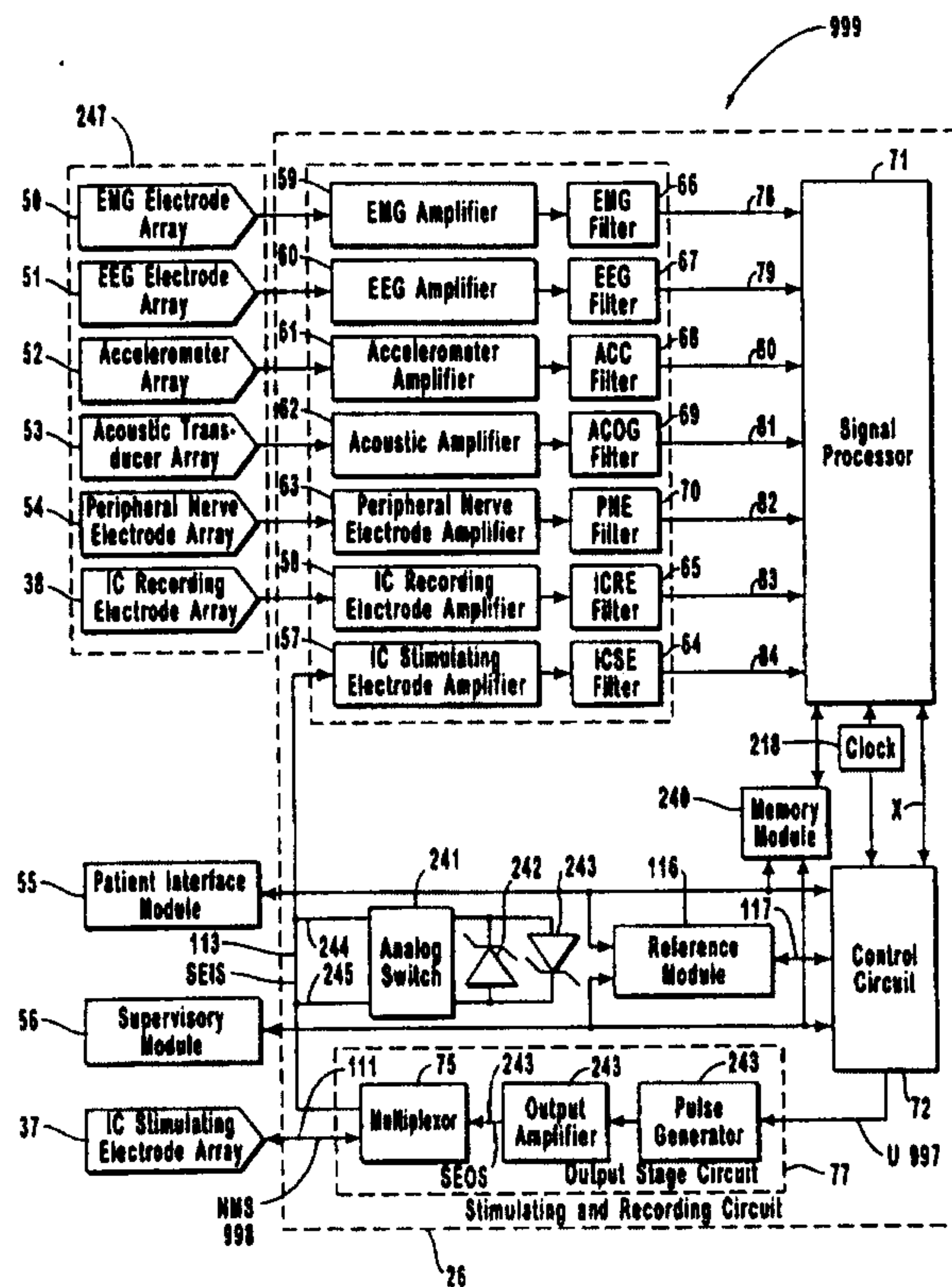
INTERNATIONAL APPLICATION PUBLISHED UNDER THE PATENT COOPERATION TREATY (PCT)

(51) International Patent Classification ⁷ : A61N 1/08	A3	(11) International Publication Number: WO 00/07494 (43) International Publication Date: 17 February 2000 (17.02.00)
(21) International Application Number: PCT/US99/17761 (22) International Filing Date: 5 August 1999 (05.08.99) (30) Priority Data: 60/095,413 5 August 1998 (05.08.98) US (71)(72) Applicant and Inventor: DILorenzo, Daniel, J. [US/US]; Suite 5, 155 First Avenue, Salt Lake City, UT 84103 (US). (74) Agents: SADLER, Lloyd, W. et al.; McCarthy & Sadler, LC, Suite 100, 39 Exchange Place, Salt Lake City, UT 84111 (US).	(81) Designated States: AL, AM, AT, AU, AZ, BA, BB, BG, BR, BY, CA, CH, CN, CU, CZ, DE, DK, EE, ES, FI, GB, GD, GE, GH, GM, HR, HU, ID, IL, IN, IS, JP, KE, KG, KP, KR, KZ, LC, LK, LR, LS, LT, LU, LV, MD, MG, MK, MN, MW, MX, NO, NZ, PL, PT, RO, RU, SD, SE, SG, SI, SK, SL, TJ, TM, TR, TT, UA, UG, US, UZ, VN, YU, ZW, ARIPO patent (GH, GM, KE, LS, MW, SD, SL, SZ, UG, ZW), Eurasian patent (AM, AZ, BY, KG, KZ, MD, RU, TJ, TM), European patent (AT, BE, CH, CY, DE, DK, ES, FI, FR, GB, GR, IE, IT, LU, MC, NL, PT, SE), OAPI patent (BF, BJ, CF, CG, CI, CM, GA, GN, GW, ML, MR, NE, SN, TD, TG). Published <i>With international search report.</i> (88) Date of publication of the international search report: 22 June 2000 (22.06.00)	

(54) Title: APPARATUS AND METHOD FOR CLOSED-LOOP INTRACRANIAL STIMULATION FOR OPTIMAL CONTROL OF NEUROLOGICAL DISEASE

(57) Abstract

This invention is a neurological control system (999) for modulating activity of any component or structure comprising the entirety or portion of the nervous system, or any structure interfaced thereto, generally referred to herein as a "nervous system component". The neurological control system generates neural modulation signals delivered to a nervous system component through one or more intracranial (IC) stimulating electrodes (37) in accordance with treatment parameters. Such treatment parameters may be derived from a neural response to previously delivered neural modulation signals sensed by one or more sensors (247), each configured to sense a particular characteristic indicative of a neurological or psychiatric condition. Neural modulation signals include any control signal which enhances or inhibits cell activity. Significantly the neurological control system considers neural response, in the form of the sensory feedback, as an indication of neurological disease state, and/or responsiveness to therapy, in the determination of treatment parameters.



**APPARATUS AND METHOD FOR CLOSED-LOOP
INTRACRANIAL STIMULATION FOR OPTIMAL CONTROL
OF NEUROLOGICAL DISEASE**

5

Related Applications

This application claims the benefit of U.S. Provisional Patent Application No. 60/095,413 entitled "Optimal Method and Apparatus for Neural Modulation for the Treatment of Neurological Disease, Particularly Movement Disorders," filed August 5, 1998 and naming as inventor Daniel John DiLorenzo.

10

BACKGROUND OF THE INVENTION

Field of the Invention

The present invention relates generally to neurological disease and, more particularly, to intracranial stimulation for optimal control of movement disorders and other neurological disease.

15

Related Art

There are a wide variety of treatment modalities for neurological disease including movement disorders such as Parkinson's Disease, Huntington's Disease, and Restless Leg Syndrome, as well as psychiatric disease including depression, bipolar disorder and borderline personality disorders. These treatment modalities are moderately efficacious; however, they suffer from several severe drawbacks. Each of these traditional treatment modalities and their associated limitations are described below.

One common conventional technique for controlling neurological disease includes the use of dopaminergic agonists or anticholinergic agents. Medical management using these techniques requires considerable iteration in dosing adjustments before an "optimal" balance between efficacy and side effect minimization is achieved. Variation, including both circadian and postprandial variations, causes wide fluctuation in symptomatology. This commonly results in alternation between "on" and "off" periods during which the patient possesses and loses motor functionality, respectively.

20

Another traditional approach for controlling movement disorders is tissue ablation. Tissue ablation is most commonly accomplished through stereotactic neurosurgical procedures, including pallidotomy, thalamotomy, subthalamotomy, and other lesioning procedures. These procedures have been found to be moderately efficacious. However, in addition to posing risks

25

that are inherent to neurosurgical operations, these procedures suffer from a number of fundamental limitations. One such limitation is that tissue removal or destruction is irreversible. As a result, excessive or inadvertent removal of tissue cannot be remedied.

Furthermore, undesirable side effects, including compromise of vision and motor or sensory functions, are likely to be permanent conditions. In particular, bilateral interventions place the patient at considerable risk for developing permanent neurologic side effects, including incontinence, aphasia, and grave psychic disorders. An additional drawback to this approach is that the "magnitude" of treatment is constant. That is, it is not possible to vary treatment intensity over time, as may be required to match circadian, postprandial, and other fluctuations in symptomatology and consequent therapeutic needs. Thus, decrease in treatment "magnitude" is not possible while an increase in treatment "magnitude" necessitates reoperation. Some adjustment is possible through augmentation with pharmacologic treatment; however, these additional treatments are subject to the above-noted limitations related to drug therapy.

Another traditional approach for controlling movement disorders and other neurological disease includes tissue transplantation, typically from animal or human mesencephalic cells. Although tissue transplantation in humans has been performed for many years, it remains experimental and is limited by ethical concerns when performed using a human source. Furthermore, graft survival, as well as subsequent functional connection with intracranial nuclei, are problematic. The yield, or percentage of surviving cells, is relatively small and is not always predictable, posing difficulties with respect to the control of treatment "magnitude."

Another traditional approach for controlling neurological disease is the continuous electrical stimulation of a predetermined neurological region. Chronic high frequency intracranial electrical stimulation is typically used to inhibit cellular activity in an attempt to functionally replicate the effect of tissue ablation, such as pallidotomy and thalamotomy. Acute electrical stimulation and electrical recording and impedance measuring of neural tissue have been used for several decades in the identification of brain structures for both research purposes as well as for target localization during neurosurgical operations for a variety of neurological diseases. During intraoperative electrical stimulation, reduction in tremor has been achieved using frequencies typically on the order of 75 to 330 Hz. Based on these findings, chronically implanted constant-amplitude electrical stimulators have been implanted in such sites as the thalamus, subthalamic nucleus and globus pallidus.

Chronic constant-amplitude stimulation has been shown to be moderately efficacious. However, it has also been found to be limited by the lack of responsiveness to change in patient system symptomatology and neuromotor function. Following implantation, a protracted phase of parameter adjustment, typically lasting several weeks to months, is endured by the patient while stimulation parameters are interactively adjusted during a series of patient appointments. Once determined, an "acceptable" treatment magnitude is maintained as a constant stimulation level. A drawback to this approach is that the system is not responsive to changes in patient need for treatment. Stimulation is typically augmented with pharmacological treatment to accommodate such changes, causing fluctuation of the net magnitude of treatment with the plasma levels of the pharmacologic agent.

As noted, while the above and other convention treatment modalities offer some benefit to patients with movement disorders, their efficacy is limited. For the above-noted reasons, with such treatment modalities it is difficult and often impossible to arrive at an optimal treatment "magnitude," that is, an optimal dose or intensity of treatment. Furthermore, patients are subjected to periods of overtreatment and undertreatment due to variations in disease state. Such disease state variations include, for example, circadian fluctuations, postprandial (after meal) and nutrition variations, transients accompanying variations in plasma concentrations of pharmacological agents, chronic progression of disease, and others.

Moreover, a particularly significant drawback to the above and other traditional treatment modalities is that they suffer from inconsistencies in treatment magnitude. For example, with respect to drug therapy, a decrease in responsiveness to pharmacologic agents eventually progresses to eventually preclude effective pharmacologic treatment. With respect to tissue ablation, progression of disease often necessitates reoperation to extend pallidotomy and thalamotomy lesion dimensions. Regarding tissue transplantation, imbalances between cell transplant formation rates and cell death rates cause unanticipated fluctuations in treatment magnitude. For continuous electrical stimulation, changes in electrode position, electrode impedance, as well as patient responsiveness to stimulation and augmentative pharmacologic agents, cause a change in response to a constant magnitude of therapy.

Currently, magnets commonly serve as input devices used by patients with implantable stimulators, including deep brain stimulators, pacemakers, and spinal cord stimulators. Current systems require the patient to manually turn the system off at night time to conserve battery power and use such magnets to maintain system power. This presents considerable difficulty to many

patients whose tremor significantly impairs arm function, as they are unable to hold a magnet in a stable manner over the implanted electronics module. Consequently, many patients are unable to turn their stimulators on in the morning without assistance.

What is needed, therefore, is an apparatus and method for treatment of patients with neurological disease in general and movement disorders in particular that is capable of determining and providing an optimal dose or intensity of treatment. Furthermore, the apparatus and method should be responsive to unpredictable changes in symptomatology and minimize alternations between states of overtreatment and undertreatment. The system should also be capable of anticipating future changes in symptomatology and neuromotor functionality, and being responsive to such changes when they occur.

SUMMARY OF THE INVENTION

The present invention is a neurological control system for modulating activity of any component or structure comprising the entirety or portion of the nervous system, or any structure interfaced thereto, generally referred to herein as a "nervous system component." The neurological control system generates neural modulation signals delivered to a nervous system component through one or more intracranial (IC) stimulating electrodes in accordance with treatment parameters. Such treatment parameters may be derived from a neural response to previously delivered neural modulation signals sensed by one or more sensors, each configured to sense a particular characteristic indicative of a neurological or psychiatric condition. Neural modulation signals include any control signal which enhances or inhibits cell activity. Significantly the neurological control system considers neural response, in the form of the sensory feedback, as an indication of neurological disease state and/or responsiveness to therapy, in the determination of treatment parameters.

In one aspect of the invention, a neural modulation system for use in treating disease which provides stimulus intensity which may be varied is disclosed. The stimulation may be at least one of activating, inhibitory, and a combination of activating and inhibitory and the disease is at least one of neurologic and psychiatric. For example, the neurologic disease may include Parkinson's disease, Huntington's disease, Parkinsonism, rigidity, hemiballism, choreoathetosis, dystonia, akinesia, bradykinesia, hyperkinesia, other movement disorder, epilepsy, or the seizure disorder. The psychiatric disease may include, for example, depression, bipolar disorder, other affective disorder, anxiety, phobia, schizophrenia, multiple personality disorder. The psychiatric

disorder may also include substance abuse, attention deficit hyperactivity disorder, impaired control of aggression, or impaired control of sexual behavior.

In another aspect of the invention, a neurological control system is disclosed. The neurological control system modulates the activity of at least one nervous system component, and includes at least one intracranial stimulating electrode, each constructed and arranged to deliver a neural modulation signal to at least one nervous system component; at least one sensor, each constructed and arranged to sense at least one parameter, including but not limited to physiologic values and neural signals, which is indicative of at least one of disease state, magnitude of symptoms, and response to therapy; and a stimulating and recording unit constructed and arranged to generate said neural modulation signal based upon a neural response sensed by said at least one sensor in response to a previously delivered neural modulation signal.

In another aspect of the invention, an apparatus for modulating the activity of at least one nervous system component is disclosed. The apparatus includes means for delivering neural modulation signal to said nervous system component; and means for sensing neural response to said neural modulation signal. In one embodiment, the delivery means comprises means for generating said neural modulation signal, said generating means includes signal conditioning means for conditioning sensed neural response signals, said conditioning including but not limited to at least one of amplification, lowpass filtering, highpass filtering, bandpass filtering, notch filtering, root-mean square calculation, envelope determination, and rectification; signal processing means for processing said conditioned sensed neural response signals to determine neural system states, including but not limited to a single or plurality of physiologic states and a single or plurality of disease states; and controller means for adjusting neural modulation signal in response to sensed neural response to signal.

Advantageously, aspects of the neurological control system are capable of incorporating quantitative and qualitative measures of patient symptomatology and neuromotor circuitry function in the regulation of treatment magnitude.

Another advantage of certain aspects of the present invention is that it performs automated determination of the optimum magnitude of treatment. By sensing and quantifying the magnitude and frequency of tremor activity in the patient, a quantitative representation of the level or "state" of the disease is determined. The disease state is monitored as treatment parameters are automatically varied, and the local or absolute minimum in disease state is achieved as the optimal set of stimulation parameters is converged upon. The disease state may be represented as a single

value or a vector or matrix of values; in the latter two cases, a multi variable optimization algorithm is employed with appropriate weighting factors. Automated optimization of treatment parameters expedites achievement of satisfactory treatment of the patient, reducing the time and number of interactions, typically in physician visits, endured by the patient. This optimization includes selection of electrode polarities, electrode configurations stimulating parameter waveforms, temporal profile of stimulation magnitude, stimulation duty cycles, baseline stimulation magnitude, intermittent stimulation magnitude and timing, and other stimulation parameters.

Another advantage of certain aspects of the present invention is its provision of signal processed sensory feedback signals to clinicians to augment their manual selection of optimum treatment magnitude and pattern. Sensory feedback signals provided to the clinician via a clinician-patient interface include but are not limited to tremor estimates, electromyography (EMG) signals, EEG signals, accelerometer signals, acoustic signals, peripheral nerve signals, cranial nerve signals, cerebral or cerebellar cortical signals, signals from basal ganglia, signals from other brain or spinal cord structures, and other signals.

A further advantage of certain aspects of the present invention is that it provides modulation of treatment magnitude to compensate for predictable fluctuations in symptomatology and cognitive and neuromotor functionality. Such fluctuations include those due to, for example, the circadian cycle, postprandial and nutritional changes in symptomatology, and variations in plasma levels of pharmacologic agents.

A further advantage of certain aspects of the present invention is that it is responsive to patient symptomatology, as tremor typically abates during sleep. This overcomes the above-noted problems of patient inability to hold a magnet in a stable manner over the implanted electronics module and the resulting problem of not being able to turn their stimulators on in the morning without assistance.

A still further advantage of certain aspects of the present invention is that it provides prediction of future symptomatology, cognitive and neuromotor functionality, and treatment magnitude requirements. Such predictions may be based on preset, learned and real-time sensed parameters as well as input from the patient, physician or other person or system.

A still further advantage of certain aspects of the present invention is that it optimizes the efficiency of energy used in the treatment given to the patient. Stimulation intensity may be

minimized to provide the level of treatment magnitude necessary to control disease symptoms to a satisfactory level without extending additional energy delivering unnecessary overtreatment.

Further features and advantages of the present invention, as well as the structure and operation of various embodiments of the present invention, are described in detail below with
5 reference to the accompanying drawings.

BRIEF DESCRIPTION OF THE DRAWINGS

The present invention is described with reference to the accompanying drawings. In the drawings, like reference numerals indicate identical or functionally similar elements.

10 Figure 1 is a schematic diagram of one embodiment of the present invention implanted bilaterally in a human patient.

Figure 2 is an architectural block diagram of one embodiment of the neurological control system of the present invention.

15 Figure 3 is a block diagram of one embodiment of an intracranial recording electrode (ICRE) signal processor and an intracranial stimulating electrode (ICSE) signal processor each of which are included within the signal processor illustrated in Figure 2.

Figure 4 is a schematic diagram of a globus pallidus implanted with stimulating and recording electrodes in accordance with one embodiment of the present invention..

20 Figure 5 is a block diagram of one embodiment of an EMG signal processor which is included in one embodiment of the signal processor illustrated in Figure 2.

Figure 6 is a block diagram of one embodiment of an EEG signal processor module which is included in one embodiment of the signal processor illustrated in Figure 2.

Figure 7 is a block diagram of one embodiment of an accelerometer signal processor which is incorporated into certain embodiments of the signal processor illustrated in Figure 2.

25 Figure 8 is a block diagram of one embodiment of an acoustic signal processor which is included in certain embodiments of the signal processor illustrated in Figure 2.

Figure 9 is block diagram of one embodiment of a peripheral nerve electrode (PNE) signal processor 237 which is implemented in certain embodiments of signal processor 71. PNE signal

30 Figure 10 is a schematic diagram of one embodiment of the signal processor illustrated in Figure 2.

Figure 11 is a schematic diagram of the patient-neural modulator system illustrated in Figure 2 illustrated to show its controller and observer components.

Figure 12 is a schematic diagram of one embodiment of the control circuit illustrated in Figure 2.

5 Figure 13 is a schematic diagram of electrical stimulation waveforms for neural modulation.

Figure 14 is a schematic diagram of one example of the recorded waveforms.

Figure 15 is a schematic block diagram of an analog switch used to connect one or an opposing polarity pair of Zener diodes across the noninverting and inverting inputs of an
10 intracranial recording electrode amplifier.

DETAILED DESCRIPTION

Figure 1 is a schematic diagram of one embodiment of the intracranial stimulator of the present invention implanted bilaterally in a human patient. In the embodiment illustrated in Figure
15 1, two neurological control systems 999 are shown implanted bilaterally. Each system 999 includes a stimulating and recording unit 26 and one or more intracranial components described below. As described in this illustrative embodiment, the intracranial components preferably include a stimulating electrode array 37. However, it should become apparent to those of ordinary skill in the relevant art after reading the present disclosure that the stimulating electrodes may also
20 be extracranial; that is, attached to a peripheral nerve in addition to or in place of being located within the cranium. As shown in Figure 1, stimulating and recording unit 26 of each neurological control system 999 is preferably implanted contralateral to the intracranial components of the device.

As one skilled in the relevant art would find apparent from the following description, the
25 configuration illustrated in Figure 1 is just one example of the present invention. Many other configurations are contemplated. For example, in alternative embodiments of the present invention, the stimulating and recording unit 26 is implanted ipsilateral or bilateral to the intracranial components. It should also be understood that the stimulating and recording unit 26 can receive ipsilateral, contralateral or bilateral inputs from sensors and deliver ipsilateral,
30 contralateral, or bilateral outputs to a single or a plurality of intracranial stimulating electrode arrays 37. Preferably, these inputs are direct or preamplified signals from at least one of EMG electrode array 50, EEG electrode array 51, Accelerometer Array 52, Acoustic Transducer Array

53, Peripheral Nerve Electrode Array 54, and Intracranial Recording Electrode Array 38. The signals input from these sensors will be referred to herein as "sensory input modalities" 247. The outputs include but are not limited to one or more stimulating current signals or stimulating voltage signals to Intracranial Stimulating Electrode Array 37.

5 In the embodiment illustrated in Figure 1, the two unilateral systems 26 are shown to receive sensory inputs from the side contralateral as well as the intracranial stimulating electrode arrays 37. In the illustrative embodiment, systems 26 also receive sensory inputs from intracranial recording electrode arrays 38. As will become apparent from the following description, intracranial recording electrode arrays 38 may provide valuable feedback information.

10 It should be understood that this depiction is for simplicity only, and that any combination of ipsilateral, contralateral or bilateral combination of each of the multiple sensory input modalities and multiple stimulation output channels may be employed. In addition, stimulating and recording units 26 may be a single device, two communicating devices, or two independent devices. Accordingly, these and other configurations are considered to be within the scope of the present
15 invention. It is anticipated that stimulating and recording units 26, if implemented as distinct units, would likely be implanted in separate procedures (soon after clinical introduction) to minimize the likelihood of drastic neurological complications.

 In the exemplary embodiment illustrated in Figure 1, the intracranial stimulating electrode array 37 includes a plurality of intracranial stimulating electrodes 1, 2, 3 and 4. Array 37 may,
20 of course, have more or fewer electrodes than that depicted in Figure 1. These intracranial stimulating electrodes 1-4 may be used to provide stimulation to a predetermined nervous system component. The electrical stimulation provided by the intracranial stimulating electrodes 1-4 may be excitatory or inhibitory, and this may vary in a manner which is preprogrammed, varied in real-time, computed in advance using a predictive algorithm, or determined using another technique
25 now or latter developed.

 The intracranial recording electrode arrays 38 includes intracranial recording electrodes 5 and 6. In accordance with one embodiment of the present invention, the intracranial recording electrodes 5, 6 are used to record cortical activity as a measure of response to treatment and as a predictor of impending treatment magnitude requirements. In the illustrative embodiment,
30 intracranial recording electrodes 5 and 6 are depicted in a location superficial to the intracranial stimulating electrodes 1-4. However, this positioning may be reversed or the intracranial stimulating electrodes 1-4 and intracranial recording electrodes 5 and 6 may be interspersed in

alternative embodiments. For example, these electrodes may be placed in at least one of motor cortex, premotor cortex, supplementary motor cortex, other motor cortical areas, somatosensory cortex, other sensory cortical areas, Wernicke's area, Broca's area, other cortical region, other intracranial region, and other extracranial region.

5 In the illustrative embodiment, an intracranial catheter 7 is provided to mechanically support and facilitate electrical connection between intracranial and extracranial structures. In this embodiment, intracranial catheter 7 contains one or more wires connecting extracranial stimulating and recording circuit 26 to the intracranial electrodes, including but not limited to, intracranial stimulating electrodes 1-4 and intracranial recording electrodes 5, 6. The wires contained within
10 intracranial catheter 7 transmit stimulating electrode output signal (SEOS) to intracranial stimulating electrode array 37. Such wires additionally transmit stimulating electrode input signal (SEIS) and recording electrode input signal (REIS), from intracranial stimulating electrode array 37 and intracranial recording electrode array 38 respectively, to stimulating and recording circuit 26.

15 Stimulating and recording circuit 26 is protected within a circuit enclosure 44. Circuit enclosure 44 and contained components, including stimulating and recording circuit 26 comprise stimulating and recording unit 43. It should be understood that more or fewer of either type of electrode as well as additional electrode types and locations may be incorporated or substituted without departing from the spirit of the present invention. Furthermore, stimulating and recording
20 circuit 26 can be placed extra cranially in a subclavian pocket as shown in Figure 1, or it may be placed in other extracranial or intracranial locations.

 Connecting cable 8 generally provides electrical connection between intracranial or intracranial locations. A set of electrical wires provides the means for communication between the intracranial and extracranial components; however, it should be understood that alternate
25 systems and techniques such as radiofrequency links, optical (including infrared) links with transcranial optical windows, magnetic links, and electrical links using the body components as conductors, may be used without departing from the present invention. Specifically, in the illustrative embodiment, connecting cable 8 provides electrical connection between intracranial components 246 and stimulating and recording circuit 26. In embodiments wherein stimulating
30 and recording circuit 26 has an intracranial location, connecting cable 8 would likely be entirely intracranial. Alternatively, connecting in embodiments wherein stimulating and recording circuit

26 is implanted under scalp 10 or within or attached to calvarum 9, connecting cable 8 may be confined entirely to subcutaneous region under the scalp 10.

A catheter anchor 29 provides mechanical connection between intracranial catheter 7 and calvarum 9. Catheter anchor 29 is preferably deep to the overlying scalp 10. Such a subcutaneous
5 connecting cable 8 provides electrical connection between intracranial electrodes 246 and stimulating and recording circuit 26. Cable 8 may also connect any other sensors, including but not limited to any of sensory input modalities 247, or other stimulating electrodes, medication dispensers, or actuators with stimulating and recording circuit 26.

Sensory feedback is provided to recording and stimulating unit 26 from a multiplicity of
10 sensors, collectively referred to as sensory input modalities 247. Intracranial recording electrode array 38, previously described, is intracranial in location. Additional sensors, most of which are located extracranially in the preferred embodiment, comprise the remainder of sensory input modalities 247. Sensory input modalities 247 provide information to stimulating and recording
15 unit 26. As will be described in greater detail below, such information is processed by stimulating and recording unit 26 to deduce the disease state and progression and its response to therapy.

In one embodiment of the invention, a head-mounted acoustic sensor 11 is used to monitor any number of vibratory characteristics such as high frequency head vibration, muscle vibration, and/or speech production. Head-mounted acoustic sensor 11 is connected to stimulating
and recording circuit 26 with an acoustic sensor connecting cable 30.

A head-mounted accelerometer 12 is implemented in certain embodiments of the present
20 invention to monitor head movement and position with respect to gravity. Head-mounted accelerometer 12 may be mounted to any structure or structures that enables it to accurately sense a desired movement. Such structures include, for example, the skull base, calvarum, clavicle, mandible, extraocular structures, soft tissues and vertebrae. Head-mounted accelerometer 12 is
25 connected to stimulating and recording circuit 26 with an accelerometer connecting cable 31.

A proximal electromyography (EMG) electrode array 45 is also included in certain preferred embodiments of the invention. Proximal EMG electrode array 45 includes a positive proximal EMG electrode 13, a reference proximal EMG electrode 14, and a negative proximal EMG electrode 15. As one skilled in the relevant art would find apparent, proximal EMG
30 electrode array 45 may include any number of type of electrodes. Proximal EMG electrode array 45 is implanted in or adjacent to muscle tissue. In the embodiment illustrated in Figure 1, proximal EMG electrode array 45 is shown implanted within the neck of the human patient.

However, it should be understood that this location is illustrative only and that proximal EMG electrode array 45 may be implanted in or adjacent to any muscle without departing from the spirit of the present invention.

A proximal acoustic sensor 27 may also be implemented in the present invention.

5 Proximal acoustic sensor 27 senses muscle vibration and may be used to augment, supplement or replace EMG recording. Also, a proximal accelerometer 28 may be used to sense movement, including tremor and voluntary activity, and orientation with respect to gravity. Proximal connecting cable 16 provides electrical connection from the proximal EMG electrodes 14 and 15, proximal acoustic sensor 27, and proximal accelerometer 28 to stimulating and recording circuit

10 26. In the illustrative embodiment, these sensors are shown connected to a common proximal connecting cable 16. However, in alternative embodiments, this configuration may include the use of multiple connecting cables or implement other types of communication media without departing from the present invention. It should also be understood from the preceding description that the number of each type of sensor may also be increased or decreased, some sensor types may

15 be eliminated, and other sensor types may be included without departing from the spirit of the present invention.

A distal EMG electrode array 47 may also be included in certain embodiments of the present invention. In such embodiments, distal EMG electrode array 47 typically includes a positive distal EMG electrode 17, a reference distal EMG electrode 42, and a negative distal EMG

20 electrode 18. Positive distal EMG electrode 17 is connected to stimulating and recording circuit 26 by positive distal EMG connecting cable 20. Negative distal EMG electrode 18 is connected to stimulating and recording circuit 26 by negative distal EMG connecting cable 21. Reference distal EMG electrode 42 is connected to stimulating and recording circuit 26 by reference distal EMG connecting cable 48.

25 In other embodiments, a distal acoustic sensor 19 is connected to stimulating and recording circuit 26 by distal acoustic connecting cable 22. Distal accelerometer 33 is connected to stimulating and recording circuit 26 by distal accelerometer connecting cable 34. Distal accelerometer 33 is connected to stimulating and recording circuit 26 by distal accelerometer connecting cable 34.

30 In the embodiment illustrated in Figure 1, distal EMG electrode array 47, distal acoustic sensor 19, and distal accelerometer 33 are shown located in the shoulder region. However, the distal EMG electrode array 47 may be located in other locations, including, for example, the

masseter, temporalis, sternocleidomastoid, other portion of the head and neck, pectoralis, torso, abdomen, upper extremities, lower extremities, and other locations. The number of each type of sensor may be increased or decreased, some sensor types may be eliminated, and other sensor types may be included without departing from the spirit of the present invention.

5 An enclosure-mounted EMG electrode array 46 is illustrated in Figure 1. Enclosure-mounted EMG electrode array 46 includes enclosure-mounted positive EMG electrode 23, enclosure-mounted negative EMG electrode 24 and enclosure-mounted reference EMG electrode 25, all of which are attached to the circuit enclosure 44 that encloses stimulating and recording unit 26. The circuit enclosure 44 is preferably included to provide robustness against potential
10 lead entanglement and fracture. In one particular embodiment, circuit enclosure 44 is constructed of titanium and epoxy, or other single or combination of bio-compatible materials. Enclosure-mounted acoustic sensor 35 and enclosure-mounted accelerometer 36 are mounted to stimulating and recording unit 43. The number of each type of sensor may be increased or decreased, their locations changed, some sensor types eliminated, and other sensor types included without
15 departing from the spirit of the present invention.

In the embodiment illustrated in Figure 1, EEG electrodes 39, 40, 41 are provided. The EEG electrodes may be mounted directly to connecting cable 8 or may be connected via intermediate cables. Any one of the numerous standard and new electrode configurations, or montages, may be employed in EEG electrodes 39-41 without departing from the present
20 invention.

In one embodiment, a proximal peripheral nerve electrode array 98 is connected to stimulating and recording circuit 26 by proximal peripheral nerve electrode array connecting cable 100. Proximal peripheral nerve electrode array 98 is shown located in the neck region. In this location proximal peripheral nerve electrode array 98 can interface with the vagus nerve, spinal
25 accessory nerve, or nerve arising from cervical roots.

A distal peripheral nerve electrode array 99 is connected to stimulating and recording circuit 26 by distal peripheral nerve electrode array connecting cable 32. Distal peripheral nerve electrode array 99 is shown located by the proximal arm, in position to interface with the brachial plexus or proximal arm nerve. One or more of these peripheral nerve electrode arrays may be
30 implanted in these or other locations, including but not limited to the head, cranial nerves, neck, torso, abdomen, upper extremities, and lower extremities, without departing from the present invention.

In one preferred embodiment, the peripheral nerve electrode arrays are each comprised of three epineural platinum-iridium ring electrodes, each in with an internal diameter approximately 30% larger than that of the epineurium, longitudinally spaced along the nerve. Electrodes of differing dimensions and geometries and constructed from different materials may
5 alternatively be used without departing from the present invention. Alternative electrode configurations include but are not limited to epineural, intrafascicular, or other intraneural electrodes; and materials include but are not limited to platinum, gold, stainless steel, carbon, and other element or alloy.

Figure 2 is an architectural block diagram of one embodiment of the neurological control
10 system 248 of the present invention for modulating the activity of at least one nervous system component in a patient. As used herein, a nervous system component includes any component or structure comprising an entirety or portion of the nervous system, or any structure interfaced thereto. In one preferred embodiment, the nervous system component that is controlled by the present invention includes the globus pallidus internus. In another preferred embodiment, the
15 controlled nervous system component is the subthalamic nucleus.

The neurological control system 248 includes one or more implantable components 249 including a plurality of sensors each configured to sense a particular characteristic indicative of a neurological or psychiatric condition. One or more intracranial (IC) stimulating electrodes in an IC stimulating electrode array 37 delivers a neural modulation signal to the same or other
20 nervous system component as that being monitored by the system 26. One or more sensors 38, 51, 52, 53, and 54 sense the occurrence of neural responses to the neural modulation signals. Stimulating and recording unit 26 generates the neural modulation signal based on the neural response sensed by the sensors.

The neurological control system 248 preferably also includes a patient interface module
25 55 and a supervisory module 56. A control circuit 72 (described below) is communicably coupled to the patient interface module 55 and receives signal inputs from and provides signal outputs to patient interface module 55 and supervisory module 56. In one preferred embodiment, patient interface module 55 and supervisory module 56 remain external to the body of the patient. However either of these devices may be connected via percutaneous leads or be partially or totally
30 implanted without departing from the present invention.

Patient interface module 55 and supervisory module 56 facilitate adjustment of control parameters, monitoring of disease state, monitoring of response to therapy, monitoring of

stimulating and recording circuit 26, monitoring of impedance and other characteristics of intracranial stimulating electrode array 37, monitoring of physiologic parameters, monitoring of vital signs, monitoring of any other characteristic or function of components of the present invention, including but not limited to the stimulating and recording circuit 26, stimulating and recording unit 43, circuit enclosure 44, EMG electrode array 50, EEG electrode array 51, accelerometer array 52, acoustic transducer array 53, peripheral nerve electrode array 54, and intracranial recording electrode array 38. Such monitoring and adjustment is accomplished through the use of any well known bi-directional communication between control circuit 72 and supervisory module 56. In one preferred embodiment, a radio frequency link is employed. In alternative embodiments, other communication technologies, including but not limited to optical, percutaneous, or electromagnetic, may be used.

In one preferred embodiment, patient interface module 55 and supervisory module 56 are placed adjacent to the patients garments overlying the implanted stimulating and recording unit 43. When neurological control system 999 is turned on in this position, a communications handshaking protocol is executed. Communication handshaking routines are known to those of ordinary skill in the art, and they enable establishment of a communication rate and protocol and facilitate mutual identification of devices. Patient interface module 55 automatically downloads parameters from stimulating and recording circuit 26 and stores values of such parameters in a memory. When the transfer of these parameter values is complete, patient interface module 55 emits a audible signal such as a series of beeps, and the patient turns off patient interface module 55 and removes it from its position overlying the implanted stimulating and recording unit 43. Parameter values may then be retrieved by the patient by a routine including but not limited to a menu driven interface, and the values may be transmitted via telephone conversation or other communication method to a health care professional. Supervisory module 56 operates in the same manner with one addition; a step is provided during which the health care professional may upload parameters to stimulating and recording circuit 26 to alter its function including by means of changing parameters including but not limited to control laws gains and thresholds, filter parameters, signal processing parameters, stimulation waveform modes (including at least one of current regulated, voltage regulated, frequency regulated, or pulse width regulated), and stimulation waveform parameters.

Control laws, well known to those of ordinary skill in the field of control theory, are defined by a set of parameters specific to the particular control law. Common parameters include

preset gains, threshold levels, saturation amplitudes, sampling rates, and others. Adaptive controllers change in response to the behavior of the system being controlled; as such, in addition to preset parameters, adaptive controllers possess a set of varying parameters. These varying parameters contain information indicative of the behavior of the system being controlled; downloading of these parameters provides one set of measures of the disease state and its response to therapy.

Such monitoring includes observation of time history of disease state, stimulation parameters, response to therapy, and control law parameters, including time-varying adaptive controller parameters. Such adjustments includes modification of actual stimulation parameters and allowable ranges thereof, including but not limited to pulse width, pulse amplitude, interpulse interval, pulse frequency, number of pulses per burst frequency. Adjustments can further include modification of actual control law parameters and allowable ranges thereof, including but not limited to gains, thresholds and sampling rates of said stimulation waveforms. Signal processor 71 contains signal processor modules for each of the sensory input modalities 247. Signal processing algorithms for each of the said sensory input modalities 247 may be independent. Additionally, signal processing algorithms the said sensory input modalities 247 may be coupled, such that the processing of one of the sensory input modalities 247 is dependent on another of the sensory input modalities 247. Adjustments may additionally include modification of actual signal processor parameters and allowable ranges thereof, including but not limited to gains, filter cutoff frequencies, filter time constants, thresholds, and sampling rates. In a preferred embodiment, the stimulation and control law parameters are stored in at least one of random access memory and central processing unit registers (not shown).

It is anticipated that patient interface module 55 is to be used by the patient, a family member or associate, or home health care personnel to monitor the functions and performance of neurological control system 248. In such an embodiment, the use of the patient interface module 55 is restricted to monitoring operations; adjustment of stimulation and control parameters is not enabled. However, adjustment of all or a subset of stimulation and control parameters (described below) may be facilitated by patient interface module 55 without departing from the present invention. Supervisory module 56, on the other hand, is used by a physician or other health care personnel to monitor function and performance of neurological control system 248 and to adjust stimulation and control parameters. Control parameters controlled by patient interface module 55 and supervisory module 56 include allowable stimulation magnitude range, such as maximum

combination of stimulation voltage, current, pulse width, pulse frequency, train frequency, pulse train count, pulse train duration. Control parameters may also include variables and constants used to define control laws implemented in control circuit 72. Such control parameters include, but are not limited to, control law gains 197-203, and other parameters for control laws, including
5 but not limited to proportional controller 230, differential controller 204, integral controller 205, nonlinear controller 206, adaptive controller 207, sliding controller 208, model reference controller 209, and other controllers. In addition, amplitudes for other controller parameters, including but not limited to amplitudes for controller weights 210-216 may be set by supervisory module 56. Additionally, the parameters specifying the maximum amplitudes, or saturation
10 values, may be set by supervisory module 56. Control circuit 72 (Figure 12) will be described in detail below.

The majority of the computation accomplished by stimulating and recording circuit 26 is performed in signal conditioning unit 76, signal processor 71, and control circuit 72; the algorithms and behavior of which are determined by corresponding sets of control parameters, of
15 which some may be set by the supervisory module 56 and a typically more restricted set by patient interface module 55. In one embodiment, control parameters further includes signal conditioning parameters. Signal conditioning parameters may include, for example, amplifier gains, filter gains and bandwidths, threshold values, and other parameters. In certain embodiments, control parameters additionally include signal processing parameters, including envelope determinant
20 gains and time constants, filter passbands, filter gains, threshold values, integrator gains, analyzer parameters, disease state estimator parameters, artifact rejecter thresholds, envelope determinant time constants, rectifier parameters, spectral analyzer parameters and timer parameters.

In the illustrative embodiment described herein, control parameters further include spike detector 188 (Figure 9) parameters, spike characterizer 189 (Figure 9) parameters, spike analyzer
25 190 (Figure 9) parameters, spectral energy characterizer 192 (Figure 9) parameters, spectral energy analyzer 193 (Figure 9) parameters, aggregate disease state estimator 195 (Figure 10) parameters.

In accordance with the present invention, tremor are quantified and monitored by any sensors over time as indicators of disease state. Such sensors include but are not limited to EMG electrode array 50, EEG electrode array 51, accelerometer array 52, acoustic transducer array 53,
30 peripheral nerve electrode array 54, intracranial recording electrode array 38, and intracranial stimulating electrode array 37. In one particular embodiment, the sensed tremor characteristics include, but are not limited to, magnitude, frequency, duration and frequency of occurrence of

tremors. Changes in these and other parameters are compared to current levels of, and changes in, treatment parameters. These changes are then used by aggregate disease state estimator 195 to estimate the response to therapy as functions of various electrical stimulation treatment parameters. Electrical stimulation treatment parameters are adjusted by control circuit 72 in real-time to provide optimal control of disease state.

Modulation parameters are optimized to achieve at least one of minimization of disease state, minimization of symptoms of disease, minimization of stimulation magnitude, minimization of side effects, and any constant or time-varying weighted combination of these. Patient interface module 55 and supervisory module 56 also preferably monitor the function and operation of other components of neurological control system 248, including stimulating and recording unit 26 and implanted components 249.

Stimulating and recording unit 26 receives and processes signals generated by implanted components 249 to provide conditioned signals 78-84 to a signal processor 71. For each type of implanted components 249 coupled to stimulating and recording unit 26, signal conditioning circuit 76 preferably includes an associated amplifier and filter. Each amplifier and associated filter is configured to receive and process the signal generated by the associated one of the set of sensors 38, 51, 52, 53, and 54.

In the illustrative embodiment, implanted components 249 include an electromyography (EMG) electrode array 50 which generate EMG signals. Preferably, EMG electrode array 50 comprises of all EMG electrodes implemented in the particular embodiment of the present invention. These include, in the exemplary embodiment illustrated in Figure 1, proximal EMG electrode array 45, enclosure-mounted EMG electrode array 46 and distal EMG electrode array 47. Array 50 may also include, for example, EMG electrodes implanted in the head or other location, and surface EMG electrodes.

Implanted components 249 also include an electroencephalography (EEG) electrode array 51 which generate EEG signals and accelerometer array 52 which generates acceleration signals. EEG electrodes 39, 40, 41 illustrated in Figure 1 are representative of EEG electrode array 51. EEG electrodes 39-41 may be mounted directly to connecting cable 8 or connected via intermediate cables. EEG electrode array 51 may include more or fewer elements than EEG electrodes 39-41 depicted; and any of numerous standard and new electrode configurations, or montages, may be employed without departing from the present invention.

Accelerometer array 52, which produces well-known acceleration signals, preferably includes all accelerometers implemented in the patient associated with the present invention. For example, in the embodiment illustrated in Figure 1, accelerometer array 52 includes head-mounted accelerometer 12, proximal accelerometer 28, enclosure-mounted accelerometer 36 and distal accelerometer 33. Accelerometer array 52 may include more or fewer accelerometers than these accelerometers, and accelerometers of any types and locations may be employed without departing from the present invention.

Acoustic transducer array 53 includes all acoustic sensors utilized by the present invention. In the exemplary embodiment illustrated in Figure 1, acoustic transducer array 53, includes head-mounted acoustic sensor 11, proximal acoustic sensor 27, enclosure-mounted acoustic sensor 35 and distal acoustic sensor 19. It should be understood that acoustic transducer array 53 may include more or fewer elements than said acoustic sensors listed above; and any of numerous acoustic sensor types and locations may be employed without departing from the present invention.

Peripheral nerve electrode array 54 generates peripheral neural signals, including but not limited to efferent and afferent axonal signals. Preferably, peripheral nerve electrode array 54 includes all peripheral nerve electrodes implemented in present invention. For example, in the illustrative embodiment illustrated in Figure 1, peripheral nerve electrode array 54 includes proximal peripheral nerve electrode array 98 and distal peripheral nerve electrode array 99. The single or plurality of individual peripheral nerve electrode arrays which comprise peripheral nerve electrode array 54 may be implanted in the illustrated or other locations, as noted above.

Intracranial (IC) recording electrode array 38 generates central neural signals, including but not limited to cortical, white matter, and deep brain nuclear signals. Neural activity to be sensed includes but is not limited to that found in the primary motor cortex, premotor cortex, supplementary motor cortex, somatosensory cortex, white matter tracts associated with these cortical areas, the globus pallidus internal segment, the globus pallidus external segment, the caudate, the putamen, and other cortical and subcortical areas. As one of ordinary skill in the relevant art will find apparent, the present invention may include additional or different types of sensors that sense neural responses for the type and particular patient. Such sensors generate sensed signals that may be conditioned to generate conditioned signals, as described below. One example of the placement of these electrodes is described above with reference to the embodiment illustrated in Figure 1. Many others are contemplated by the present invention.

As noted, for each of the different types of sensors included in implanted components 249, signal conditioning circuit 76 includes an associated amplifier and filter in the illustrative embodiment. Accordingly, signal conditioning circuit 76 includes an EMG amplifier 59 and filter 66, each constructed and arranged to amplify and filter, respectively, the EMG signals received from EMG electrode array 50. Similarly, signal conditioning circuit 76 also includes an EEG amplifier 60 and filter 67, accelerometer (ACC) amplifier 61 and filter 68, acoustic (ACO) amplifier 62 and filter 69, peripheral nerve electrode (PNE) amplifier 63 and filter 70 and intracranial (IC) recording electrode (ICRE) amplifier 58 and filter 65.

Simplifiers 57-63 may be single or multi-channel amplifiers depending upon the number of electrodes with which it interfaces. In one preferred embodiment, amplifiers 57-63 are physically located in the same enclosure as filters 64-70; that is, in a single signal conditioning circuit 76. Preferably, signal conditioning circuit 76 is physically contained within stimulating and recording unit 102. However, amplifiers 57-63 may be located separately from stimulating recording unit 102. For example, amplifiers 57-63 may be affixed to or situated proximate to their associated electrode arrays 38, 50-54. This arrangement facilitates the preamplification of the associated signals generated by the associated electrode arrays 38, 50-54, increasing the signal-to-noise ratio of the signals. Amplifiers 57-63 may be any known voltage amplifier now or later developed suitable for amplifying the particular signals generated by their associated electrodes.

As noted, the amplified signals are passed to their associated filters 64-70 as shown in Figure 2. As with amplifiers 57-59, filters 64-70 may be physically separate from or incorporated into signal conditioning circuit 76 and stimulating and recording unit 26. In one preferred embodiment, filters 64-70 are low pass filters having a cut-off frequency of, for example, 3,000 Hz. In alternative embodiments, filters 64-70 may include a notch filter to remove, for example, 60 Hz noise, or other types of filters appropriate for the type of signals generated by the associated sensors 38, 51, 52, 53, and 54. Selection of the appropriate frequencies for the cut-off and notch filter frequencies is considered to be well known in the relevant art and within the scope of the present invention. Filters 66-70, 65 and 64 generate conditioned sensed signals 84, 83 and 78-82, respectively.

Signal processor 71 processes the conditioned sensed neural response signals 78-84 generated by signal conditioning circuit 76 in accordance with the present invention to determine neural system states. Signal processor 71 generally performs well known filtering operations in the time and frequency domains. In one preferred embodiment, the neural system states include

one or more physiologic or disease states. Signal processor 71, which can be implemented in a fast microprocessor, a DSP (digital signal processor) chip, or as analog circuitry, for example, is described in detail below.

Control circuit 72, responsive to the signal processor 71, patient interface module 55 and supervisory module 56, adjusts the magnitude of a neural modulation signal in response to the sensed neural response. Signal processor 71 extracts relevant information from the sensed condition signals, and control circuit 72 uses this extracted information in the calculation of an output neuromodulation signal (NMS) 998. Neuromodulation signal 998 subsequently travels along stimulator output path 111 to IC stimulating electrode array 37. In one embodiment, control circuit 72 is a state machine, utilizing current and past system behavior in the calculation of a control signal. In an alternative embodiment, control circuit 72 includes an embedded microprocessor to process nonlinear control laws. Alternative embodiments of the control circuit 72 appropriate for the particular application may be also be used.

Control circuit 72 receives control law selection information, control law parameter information, stimulation waveform parameter range information, stimulation modulation mode, output stage regulation mode, and medication dose and timing information from patient interface module 55 and supervisory module 56. The waveform parameter or parameters which are modulated by control law output signal U 997 are determined by the stimulation modulation mode; these parameters include but are not limited to pulse amplitude, pulse width, pulse frequency, pulses per burst, and burst frequency. Selection between regulation of pulse voltage or pulse current as the regulated pulse amplitude is determined by the output stage regulation mode.

Control circuit 72 provides stimulation waveform parameter history information, disease state history information, control law state variable history information, control law error history information, control law input variable history information, control law output variable history information, stimulating electrode impedance history information, sensory input history information, battery voltage history information, and power consumption history information to patient interface module 55 and supervisory module 56.

Provision of stimulating electrode impedance history information allows monitoring of stimulating electrode performance and functionality. If an electrode is determined to be fractured, shorted, or encapsulated by fibrotic tissue, any of various control law parameters, output stage parameters, and waveform range parameters may be adjusted to allow compensation for these

changes. Additionally, the Neuromodulation Signal (NMS) 998 may be delivered to different sets of electrodes to insure that it reaches neural tissue 250. Sensory input history information allows evaluation of validity of any given sensory input. This is useful in determining the functionality of a given sensor and serves as an indicator for sensor replacement or adjustment of the signal processing parameters or algorithm or the control law parameters or algorithm to continue to generate reliable disease state estimate signals X and control law outputs U despite the loss of any particular individual or set of sensory signals.

Signal processor 71 receives amplifier gain setting information, filter parameter information, weighting information, and disease state estimator parameter and algorithm information from patient interface module 55 and supervisory module 56. The function and operation of patient interface module 55 and supervisory module 56 are described above. As noted, patient interface module 55 may be used by the patient or home health care personnel to monitor disease state, stimulation parameters, and response to therapy. Limited adjustment of stimulation parameters and ranges is facilitated. Patient interface module 55 may be used by the patient or home health care personnel to provide information to the physician, avoiding the need for an office visit for the obtainment of said information.

Patient information module 55 queries signal processor 71 for present and time histories of monitored values. Time histories of selected variables in signal processor 71 and control circuit 72 are stored in memory module 240 for subsequent retrieval by patient interface module 55 and supervisory module 56. Selected variables include but are not limited to disease state, tremor frequency, tremor magnitude, EMG magnitude, EMG frequency spectra (EMG magnitude within frequency ranges), and acceleration of limb, head, mandible, or torso. Selected variables may also include disease state, frequency spectra of limb, torso, and head movements, as determined by EMG and accelerometer signals.

Stimulating and recording unit 26 also includes an output stage circuit 77. Output stage circuit 77 takes for an input the control law output signal U, which may be comprised of a single or multiplicity of channels or signals, from control circuit 72. This control law output signal U 997 modulates the magnitude of the sequence of waveforms comprising the desired output neuromodulation signal (NMS_D) which is produced by output stage circuit 77 and delivered via intracranial stimulating electrode array 37 to neural tissue 250.

Output stage circuit 77 generates a neuromodulation signal (NMS_D) 998 with a magnitude specified by control law output signal U 997 received from control circuit 72. In one preferred

embodiment, the waveform parameter of the desired output neuromodulation signal (NMS_D) which is modulated by control law output signal U is the stimulation current magnitude. The capability to specifically modulate the stimulation current confers efficacy resistance to perturbations or changes in electrode impedance. Presently implanted systems suffer from a decline in efficacy which results from an increase in electrode impedance which accompanies the normal tissue response to a foreign body, that is fibrotic encapsulation of the electrode. In this design taught in the present invention, the magnitude of the current delivered to the neural tissue will not vary as the electrode becomes encapsulated with fibrotic tissue or its impedance otherwise changes over time. A further advantage conferred by current modulation is the ability to monitor electrode impedance. If a current-modulated waveform, preferably a sinusoid, is delivered to the electrodes, and the resultant voltage potential waveform is concurrently monitored, the relative magnitudes and phase shifts of these waveforms may be computed. From these magnitudes and phases, the complex impedance and hence the resistive and capacitive components of the electrode impedance may be calculated.

In an alternative embodiment, the waveform parameter of the desired output neuromodulation signal (NMS_D) which is modulated by control law output signal U is the stimulation voltage magnitude. This design would not enjoy the independence of the stimulation current and efficacy from impedance variation enjoyed by the embodiment described above. If fibrosis was uneven around the surface of the electrode, this embodiment would avoid potentially undesirably large current densities along narrow tracts of remaining low resistance unfibrosed regions of neural tissue.

Alternatively, regulation of stimulus pulse width may be desired. In certain circuit implementations, the available resolution or bits for specifying the magnitude of pulse width may be greater than that for specifying the pulse voltage or current. In such a case, if finer control of the magnitude of Neuromodulation signal (NMS) is desired than is provided by the control of pulse current or pulse voltage, then it may be desirable to modulate the pulse width. Furthermore, the spatial neuron recruitment characteristics of a pulse width modulated neuromodulation signal (NMS) may provide a more linear, predictable, or controllable response than that obtained with current or voltage modulation. Selection between regulation of pulse voltage, pulse current, or pulse width as the regulated pulse amplitude parameter is determined by the output stage regulation mode, which may be set using supervisory module 56. In alternative embodiments, the modulation of pulse frequency and the modulation of the number

of pulses per burst are regulated. As one of ordinary skill in the relevant art would find apparent. Other such characteristics may be regulated in addition to or instead of the ones noted above.

Output stage circuit 77 includes a pulse generator 73, an output amplifier 74 and a multiplexor 75. Pulse generator 73 generates one or more stimulus waveforms, each of which is
5 characterized by several parameters, including but not limited to pulse amplitude, pulse width, pulse frequency, number of pulses per burst, and burst frequency. As noted above, pulse amplitude may comprise pulse voltage or pulse current. Preferably, each of these parameters may be independently varied, as specified by control law output signal U 997 generated by control
10 circuit 72. As noted, the stimulus waveforms comprising the neuromodulation signal (NMS) generated by output stage circuit 77 are applied to patient through intracranial (IC) stimulating electrode array 37. Pulse generator 73 generates a single waveform when single channel stimulation is to be used, and a plurality of waveforms when multiple channel stimulation is to be used. It may generate monophasic or biphasic waveforms.

In one preferred embodiment, charge balanced biphasic waveforms are produced. Those
15 skilled in the art are aware that the net charge contained in a given pulse is given by the time integral of the stimulus current over the duration of the pulse. In a biphasic configuration, a pair of pulses of opposite polarity is generated, and the pulse current amplitude and pulse width are chosen such that the charge amplitude is equal in magnitude and opposite in polarity. In some cases, it is desirable for the pulses comprising the biphasic pulse pair to have different amplitudes;
20 in this case, the pulse widths are chosen to insure equal and opposite charges so the pulse pair introduces zero net charge to the neural tissue 250. The capability to deliver pulse pairs with balanced charges is yet a further advantage conferred by the current regulation mode described above.

Even though the waveform parameters of the pulse pairs are calculated to deliver a zero
25 net charge, in practice, noise and precision limitations in computation and resolution limitations and nonlinearities in the digital to analog conversion and amplification stages may result in slight imbalances in the pulse pair charges. Over time, this can result in the delivery of a substantial accumulated net charge to the neural tissue. To eliminate this potential for net charge delivery to neural tissue, a direct current (DC) blocking capacitor is employed. This is a technique that is well
30 known to those of ordinary skill in the art. In one preferred embodiment, a DC blocking capacitor is included within multiplexor 75 in series with stimulator output path 111.

Typically, multichannel stimulation is used in the case of bilateral stimulation. Since the disease progression is typically asymmetrical, and the normal motor control systems governing movement on the left and right side of the body are also highly independent of each other, the delivery of treatment to the left and right sides of the body should be controlled separately. This represents one need for a multiple channel neuromodulation signal (NMS) 998. Multichannel stimulation is also expected to be beneficial in treating patients with variable involvement of different limbs. For example, the magnitude neuromodulation of a portion of the globus pallidus required to achieve optimal controls of arm tremor may be different from the optimal level of neuromodulation of separate portion of the globus pallidus to achieve optimal control of leg tremor. In this case, separate electrodes or electrode pairs are required to deliver optimal levels of neuromodulation to control tremor in these two regions of the body. Correspondingly, these separate electrodes or electrode pairs will be driven by separate neuromodulation signal (NMS) channels, necessitating a multichannel system.

A further need for multichannel neuromodulation signal (NMS) is the control of multiple symptoms of the movement disorder and the side effects arising from pharmacologic treatment. Optimal control of tremor, dyskinesias, and rigidity are not achieved by modulation of the same site at the same intensity. For this reason, multiple and separately controlled channels of neuromodulation are required to simultaneously achieve optimal control of these multiple symptoms and side effects. Each of these symptoms and side effects may be considered to comprise one or more element in a multivariable disease state. A multivariable control system will be required to optimally drive each of these disease state elements to its desired value, ideally toward a target minimum level and thus achieve optimal control of this multiplicity of disease states. This multivariable control system may be implemented as multiple independent control laws each with separate though potentially overlapping sensory inputs or as a multivariable control law matrix.

Stimulation via each of the multiple channels comprising the neuromodulation signal (NMS) 998 is characterized by separate though possibly overlapping sets of one or more of the following parameters: stimulation voltage, stimulation current stimulation frequency of pulses within the same burst, frequency of bursts, pulse width, pulses per burst, duration of burst, and interpulse interval. The stimulus waveforms are amplified by output amplifier 74 to generate an amplified stimulus waveform. Specifically, pulse generator 73 transfers information to output amplifier 74 which includes information that uniquely specifies the desired stimulation waveform.

In a preferred embodiment, the information is in the form of an analog signal which represents a scaled version of the voltage or current waveform to be delivered to the tissue. It should be understood that other forms of the signal generated by pulse generator 73 may be used, including combinations of at least one of analog and digital representations. Output amplifier 74 performs
5 amplification and regulation of the received stimulus waveform generated by the pulse generator 73. This may be regulation of electrical current to achieve desired voltage or regulation of electrical voltage to achieve desired current, depending on whether a voltage or current waveform is to be delivered to the nervous system component.

As one skilled in the relevant art would find apparent, voltage regulation is simpler to
10 implement, and is a technique which is commonly used by many conventional stimulators. Current regulation, on the other hand, is more complex but allows for more precise control of the applied stimulation. Current regulation insures that a specified amount of current is delivered, regardless of the impedance of the electrode. Current regulation is advantageous in that it allows
15 for precise control of stimulation level despite changes in electrode impedance which invariably occur over time. Since electrode impedances often change, typically increasing as they become encapsulated by fibrosis, current regulation is preferred to avoid the decrease in current which would occur if voltage regulation were to be used in such circumstances.

The amplified stimulus waveform generated by output amplifier 74 is conducted along stimulator amplifier output path 112 to multiplexor 75. Multiplexor 75 allows for delivery of a
20 stimulating electrode output signal (SEOS) to the intracranial stimulating electrode array 37, multiplexed with sensing of a stimulating electrode input signal (SEIS). Specifically, multiplexor 75 serves to alternately connect intracranial stimulating electrode (ICSE) array 37 to output amplifier 74 and intracranial stimulating electrode amplifier 57. Connection of intracranial stimulating electrode (ICSE) array 37 to output amplifier 74 facilitates delivery of neural
25 modulation signal to neural tissue, while connection of intracranial stimulating electrode (ICSE) array 37 to intracranial stimulating electrode amplifier 57 facilitates monitoring of neural activity in the region being stimulated.

Multiplexor 75 allows delivery of neural modulation signals to neural tissue concurrent with monitoring of activity of same neural tissue; this facilitates real-time monitoring of disease
30 state and response to treatment. Stimulating electrode output signal (SEOS) from output amplifier 74 is conducted along stimulator amplifier output path 112 to multiplexor 75. Multiplexor 75 conducts output from output amplifier 74 to stimulator output path 111 which conducts the

stimulating electrode output signal to intracranial stimulating electrode array 37. To facilitate periodic sampling of neural activity in tissue being stimulated, multiplexor 75 alternatively conducts signal arising from stimulated tissue via intracranial stimulating electrode array (ICSE) 37 and stimulator output path 111 to multiplexed stimulator recording input path 113 and
5 intracranial stimulating electrode amplifier 57.

Multiplexor 75 selectively conducts the signal on multiplexed stimulator recording input path 113 to amplifier 57. Multiplexor 75 may alternate conduction between path 111 and path 112 or path 113 using temporal multiplexing, frequency multiplexing or other techniques to allow concurrent access to the intracranial stimulating electrode (ICSE) array 37 for modulation of tissue
10 activity and monitoring of tissue activity. Temporal multiplexing is a well known technique and frequency multiplexing of stimulation and recording signals is known to those skilled in the art. In this embodiment, temporal multiplexing is accomplished by alternately connecting stimulator output path 111 to stimulator amplifier output path 112 and multiplexed stimulator recording input path 113. In one embodiment, frequency multiplexing is accomplished by passing a band-limited
15 portion of stimulating electrode output signal SEOS via the stimulator output path 111 to intracranial stimulating electrode array 37 while simultaneously monitoring activity on intracranial stimulating electrode array 37 within a separate frequency band, thereby generating a stimulating electrode input signal SEIS. Thus, stimulating electrode input signal SEIS is conducted from the intracranial stimulating electrode array 37 to stimulator output path 111 to multiplexor 75 and via
20 multiplexed stimulator recording input path 113 to intracranial stimulating electrode array amplifier 57.

Multiplexor 75 facilitates conduction between stimulator amplifier output path 112 and multiplexed stimulator recording input path 113 to allow automated calibration. In this mode, a calibration signal of known amplitude is generated by pulse generator 73 and amplified by output
25 amplifier 74 which, for calibration purposes, delivers a voltage regulated signal via stimulator amplifier output path 112 to multiplexor 75. Multiplexor 75 conducts amplified calibration signal to multiplexed stimulator recording input path 113 which conducts signal to intracranial stimulating electrode amplifier 57.

Although not included in the illustrative embodiment, multiplexed or intermittent
30 connection of stimulator amplifier output path 112 to the inputs of at least one of the other amplifiers, including EMG amplifier 59, EEG amplifier 60, accelerometer amplifier 61, acoustic amplifier 62, peripheral nerve electrode amplifier 63, and intracranial recording electrode

amplifier 58, may be implemented without departing from the present invention. The same multiplexed connections may be used to calibrate the pulse generator 73 and output amplifier 74.

Referring to Figure 15, an analog switch may be used to connect one or an opposing polarity pair of Zener diodes across the noninverting and inverting inputs of intracranial recording electrode amplifier 58. In this configuration, the Zener diodes would limit the maximal amplitude of the calibration signal in one or both polarities to known values, allowing for accurate calibration of intracranial recording electrode amplifier 58. The analog switch may then be deactivated, removing the cathode of the single or pair of Zener diodes from the input of intracranial recording electrode amplifier 58 to allow measurement of stimulating electrode output signal (SEOS) for calibration of pulse generator 73 and output amplifier 74. This is described in greater detail below.

Multiplexor 75 also facilitates conduction between stimulator amplifier output path 112, multiplexed stimulator recording input path 113, and stimulator output path 111 to allow measurement of impedances of components of intracranial stimulating electrode array 37. In this electrode impedance measurement mode, a three way connection between stimulator amplifier output path 112, multiplexed stimulator recording input path 113, and stimulator output path 111 is created. When output amplifier 74 is operated in current regulated mode, it delivers an SEOS of known current via stimulator output path 111 to intracranial stimulating electrode array 37. The voltages generated across the elements of intracranial stimulating electrode array 37 generally are the products of the electrode impedances and the known stimulating currents. These voltages are sensed as the stimulating electrode input signal SEIS by the intracranial stimulating electrical amplifier 57.

Reference module 116 contains memory registers in which control law reference values are stored. Such reference values include but are not limited to target disease state levels, target symptom levels, including target tremor level, and threshold levels. Threshold levels include but are not limited to disease and symptom levels, including tremor threshold levels. Neural modulation amplitude may be increased when at least one of disease state and symptom level exceed the corresponding threshold. Similarly neural modulation amplitude may be decreased or reduced to zero when either the disease state or symptom level falls below the corresponding threshold.

Reference module 116 is connected to patient interface module 55, facilitating both monitoring and adjustment of reference values by patient. Reference module 116 is also

connected to supervisory module 56, facilitating both monitoring and adjustment of reference values by physician or other health care provider. Supervisory module 56 may be used by the neurologist, neurosurgeon, or other health care professional, to adjust disease state reference R values for the one or more control laws implemented in control circuit 72. The disease state reference R values specify the target level at which the corresponding disease states are to be maintained, as quantified by the disease state estimate X values, providing reference values for control laws implemented in control law circuit block 231 (Figure 11; discussed below) and contained within control circuit 72. Reference module 116 may also receive input from control circuit 72, facilitating the dynamic adjustment of reference disease state "r" (discussed below).

Reference module 116 may additionally receive input from disease state estimator module array (DSEMA) 229 (Figure 11; discussed below) and aggregate disease state estimator 195 (Figure 11; discussed below) and components of signal processor 71, for use in dynamically determining reference disease state "r".

Figure 10 is a schematic diagram of signal processor 71. In this illustrative embodiment, signal processor 71 includes a disease state estimator module array 229 that includes one or more signal processor modules that generate a quantitative estimate of at least one disease state or parameter thereof based upon its respective input. For example, magnitude of tremor in the 3 to 5 Hz range represents one possible representation of a disease state. This could be an absolute or normalized quantification of limb acceleration in meters per second squared. This component of the disease state would be calculated almost exclusively from sensory feedback from accelerometer array 52. Another possible disease state is the frequency of occurrence of episodes of tremor activity per hour. This element of the disease state may be estimated from any of several of the sensory feedback signals. In this case, the most accurate representation of this disease state element is obtained by applying a filter such as a Kalman filter to calculate this parameter based upon a weighted combination of the sensory feedback signals. Such weighting coefficients are calculated from quantified measures of the accuracy of and noise present upon each sensory feedback channel.

In the illustrative embodiment, disease state estimator module array 229 includes an EMG signal processor 233, EEG signal processor 234, accelerometer signal processor 235, acoustic signal processor 236, peripheral nerve electrode (PNE) signal processor 237, intracranial recording electrode (ICRE) signal processor 238, and intracranial stimulating electrode (ICSE) signal processor 239. It should be understood that other signal processors may also be included in the

array 229. Inputs to these modules include conditioned EMG signal path 78, conditioned EEG signal path 79, conditioned accelerometer signal path 80, conditioned acoustic signal path 81, conditioned peripheral nerve electrode (PNE) signal path 82, conditioned intracranial recording electrode (ICRE) signal path 83, and conditioned intracranial stimulating electrode (ICSE) signal path 84, respectively. Communication between these modules is facilitated. The output(s) of each of the modules is connected to an aggregate disease state estimator 195. Aggregate disease state estimator 195 generates a single or plurality of disease state estimates "X" indicative of state of disease and response to treatment.

In the preferred embodiment, the acceleration of at least one of the affected limb and the head, each of which is sensed as a sensory feedback channel by an element of the accelerometer array 52, serves as respective elements in the disease state estimate X. These elements of disease state estimate X are inputs to respective control laws implemented in control circuit 72. of input to the control law. A control law governing the function of a proportional controller using acceleration as its single sensory feedback channel is given by equation (1):

15

$$u_1 = 0.3166 (V*s^2/m) * ACC \quad (1)$$

and if

$$u_2 = 0.6333 (V*s^2/m) * ACC \quad (2)$$

20

where u_1 and u_2 are the stimulation voltage given in volts; and ACC is the limb, mandible, or head acceleration given in meters per second squared (m/s^2).

25

In equation (1), the stimulation site is the ventroposterolateral pallidum, the output stage mode is voltage regulated, the waveform is a continuous train of square waves, the amplitude u_1 is given in volts (typically approximately 1 volt), and the remaining stimulation parameters include a pulse width of 210 microseconds, and a stimulation frequency of 130 Hz. In equation (2), the stimulation site is the ventral intermediate thalamic nucleus (Vim), the output stage mode is voltage regulated, the waveform is an intermittent train of square waves with an on time of 5 minutes and an off time of 45 seconds, the amplitude u_2 is given in volts (typically approximately 3 volts), and the remaining stimulation parameters include a pulse width of 60 microseconds, and a stimulation frequency of 130 Hz.

30

In one preferred embodiment, the ACC signal represents the average acceleration over a finite time window, typically 15 to 60 seconds. This effective lowpass filtering provides a stable

sensory feedback signal for which a proportional control law is appropriate. If stability and performance requirements dictate, as is familiar to those practiced in the art of feedback control, other components, including an integrator and a differentiator may be added to the control law to produce a proportional-integral-differential (PID) controller, as needed.

5 One preferred embodiment also includes electromyographic (EMG) signals as sensory feedback in the calculation of at least one element of the disease state estimate X which is an input to the control law. As discussed in the section describing EMG signal processor 233, the EMG signals are rectified by full wave rectifier 123, passed through envelope determiner 124, passed through several bandpass filters 125, 127, 129, 131, 133 and associated threshold discriminators
10 126, 128, 130, 132, 134 and then passed in parallel to each of integrator 135 and counter 136. Integrator 135 generates an output which is a weighted function of its inputs and represents the average magnitude of tremor activity over a given time window $-w/2$ to $+w/2$. A simplified representation of this is given by equation (3):

$$15 \quad u_3 = \int_{-w/2}^{w/2} X_{EMG} -dt \quad (3)$$

over a given time window $-w/2$ to $+w/2$. A simplified representation of this is given by the equation:

20 As is familiar to those skilled in the art of control theory, an integral controller is marginally stable. To confer stability to this control law, the equivalent of a finite leak of the output magnitude u_4 to zero is added to maintain stability. A more general form of this equation is given by equation (4):

$$25 \quad -C_1 \partial u_4 / \partial t + C_2 \cdot u_4 = B_1 \cdot \partial \bar{X}_{EMG} / \partial t + B_2 \cdot \bar{X}_{EMG} \quad (4)$$

Shown as a system function, the control law output U is given as the product of a transfer function H(s) and the disease estimate X, the input to the control law:

$$30 \quad u(s)(C_1 \cdot s + C_2) = X_{EMG}(s)(B_1 \cdot s + B_2) \quad (5)$$

$$u(s) / X_{EMG}(s) = (B_1 \cdot s + B_2) / (C_1 \cdot s + C_2) \quad (6)$$

$$H(s) = u(s)/X_{EMG}(s) = (B_1 \cdot s + B_2)/(C_1 \cdot s + C_2) \quad (7)$$

One such control law with an appropriate time response is given by:

5

$$H(s) = u(s)/X_{EMG}(s) = G_{VIEMG} (0.1 \cdot s + 1) / (2 \cdot s + 1) \quad (8)$$

where G_{VIEMG} is the gain in neuromodulation signal (NMS) (volts per volt of EMG signal).

For intramuscular EMG electrodes, signal amplitudes are on the order of 100 microvolts.

10 For neuromodulation signal (NMS) parameters of 2 volts amplitude, 60 microseconds pulse width, 130 Hz stimulation frequency, the appropriate overall gain G'_{VIEMG} is 20,000 volts_{NMS}/volts_{EMG}. Since the preamplifier stage performs amplification, 1000, in the preferred embodiment, the actual value for G_{VIEMG} as implemented in the control law is 20 volts_{NMS}/volts_{PREAMPL EMG}.

15 Disease state estimator 195 determines estimates of disease state including but not limited to long-term, or baseline, components, circadian components, postprandial components, medication induced alleviation of components, medication induced components, and future predicted behavior of said components. Output of disease state estimator 195 includes output of observer 228, depicted in Figure 11, which makes use of an adaptive model of disease behavior
20 to estimate disease states which are not directly detectable from sensors. Such sensors provide input to the adaptive model to correct state estimates and model parameters. Each of the signal processor modules in disease state estimator module array 229 are described below.

Figure 3 is a block diagram of intracranial recording electrode (ICRE) signal processor 238 and intracranial stimulating electrode (ICSE) signal processor 239, each of which are included
25 within signal processor 71 in the illustrative embodiment illustrated in Figures 2 and 10. ICRE signal processor module 238 and ICSE signal processor module 239 process signals from one or more intracranial electrodes, including but not limited to those comprising intracranial recording electrode array 38 and intracranial stimulating electrode array 37. As noted, intracranial stimulating electrode array 37 is comprised of one or more intracranial stimulating electrodes
30 while intracranial recording electrode array 38 is comprised of one or more intracranial recording electrodes.

Input to ICRE signal processor 238 is conditioned intracranial recording electrode (ICRE) signal path 83 noted above. This input is connected to a spike detector 85 which identifies action potentials. Spike detection techniques are well known to those skilled in the art and generally employ low and high amplitude thresholds. Waveforms having amplitudes greater than the low threshold and lower than the high threshold are determined to be action potentials. These thresholds may be predetermined or adjusted manually using supervisory module 56 or may be adapted in real-time by an algorithm which sweeps the threshold through a range of values to search for values at which action potential spikes are consistently recorded. The low amplitude threshold is set above the amplitude of background noise and that of nearby cells not of interest, and the high amplitude threshold is set above the amplitude of the desired action potentials to allow their passage while eliminating higher amplitude noise spikes, such as artifacts arising from electrical stimulation currents. Bandpass, notch, and other filtering techniques may also be used to improve signal to noise ratio and the sensitivity and specificity of spike detectors. Individual neuron action potentials are usually recorded using fine point high-impedance electrodes, with impedances typically ranging from 1 to 5 megohms. Alternatively, larger lower-impedance electrodes may be used for recording, in which case the signals obtained typically represent aggregate activity of populations of neurons rather than action potentials from individual neurons.

Spike detector 85 passes the waveform(s) to a spike characterizer 86. Spike characterizer 86 determines firing patterns of individual neurons. The patterns include, for example, tonic activity, episodic activity, and burst firing. Spike characterizer 86 calculates parameters that characterize the behavior of the individual and groups of neurons, the activity of which is sensed by intracranial recording electrode array 38. In one embodiment, the characterization includes parameterization of recorded action potentials, also referred to as spikes, bursts of spikes, and overall neural activity patterns. This parameterization includes, but is not limited to, calculation of frequencies of spikes, frequencies of bursts of spikes, inter-spike intervals, spike amplitudes, peak-to-valley times, valley-to-peak times, spectral composition, positive phase amplitudes, negative phase amplitudes, and positive-negative phase differential amplitudes. These parameters are depicted in Figure 14 and are discussed below. Based on these parameterization, spike characterizer 86 discriminates individual spikes and bursts originating from different neurons. This discrimination facilitates serial monitoring of activity of individual and groups of neurons and the assessment and quantification of activity change, reflective of change in disease state and of response to therapy.

A spike analyzer 87 receives as input the parameters from spike characterizer 86. Spike analyzer 87 extracts higher level information, including but not limited to average spike frequencies, average interspike intervals, average amplitudes, standard deviations thereof, trends, and temporal patterning. By comparing current spike frequency rates to historical spike frequency data, spike analyzer 87 additionally calculates the rates of change of spike parameters. Prior trends and current rates of change may then be used to predict future behaviors. Rates of change of the parameters include but are not limited to autocorrelation and digital filtering.

Spike analyzer 87 may receive additional input from accelerometers, including but not limited to at least one of head mounted accelerometer 12, proximal accelerometer 28, enclosure mounted accelerometer 36, and distal accelerometer 33. Spike analyzer 87 may receive indirect input from accelerometers, such as from conditioned or processed signals arising therefrom. This may include, for example, the signal transmitted by conditioned accelerometer signal path 80.

Spike analyzer 87 may also receive additional input from EMG arrays 50, such as a proximal EMG electrode array 45, enclosure-mounted EMG electrode array 46, or distal EMG electrode array 47. Spike analyzer 87 may receive indirect input from such EMG electrode arrays 50, such as from conditioned or processed signals arising therefrom, including but not limited to the signal transmitted by conditioned EMG signal path 78.

These additional inputs from accelerometers and EMG arrays facilitates the characterization of neuronal firing patterns relative to activity of muscle groups and movement of joints, including but not limited to characterization of neuronal spike amplitudes and tuning of firing to movement, including but not limited to movement velocity and direction. The characterization may be used to assess functioning of the sensorimotor system, including but not limited to motor response time, and to measure the disease state and response to therapy.

Intracranial recording electrode (ICRE) single unit-based (SU) disease state estimator 88 receives input from spike characterizer 86 and/or spike analyzer 87. Spike analyzer 87 provides higher level information, including but not limited to average spike frequencies, average interspike intervals, average amplitudes, standard deviations thereof, trends, and temporal patterning to disease state estimator 88. These inputs are representative of the current neuronal activity in the tissue from which the intracranial recording electrodes (ICRE) are recording. ICRE SU disease state estimator 88 may also receive input representative of one or more signals, including desired neuronal activity, from control circuit 72. The ICRE SU disease state estimate X_{ICRE_SU} calculated by ICRE SU disease state estimator 88, may be comprised of a single or a plurality of signals,

consistent with a representation of the disease state by a single or a multitude of state variables, respectively. The ICRE MU disease state estimate X_{ICRE_MU} calculated by ICRE MU disease state estimator 88, may be comprised of a single or a plurality of signals, each representative of multiunit neurophysiological signals, i.e. reflective of concurrent activity of numerous neurons.

5 Both ICRE SU disease state estimate X_{ICRE_SU} and ICRE MU disease state estimate X_{ICRE_MU} are output to aggregate disease state estimator 195.

Referring to Figure 3, conditioned intracranial recording electrode (ICRE) signal path 83 additionally connects to filter 101. Filter 101 is preferably of the bandpass type filter. In one embodiment, the bandpass filter 101 has a passband of 0.1 to 100 Hz, although other ranges may
10 be used. Output of filter 101 connects to spectral energy characterizer 102, which may be implemented in any of several hardware or software forms. For example, in one embodiment, the spectral energy characterizer 102 is implemented using real-time fast Fourier transform (FFT) techniques. Alternatively, other digital or analog techniques may also be used.

It should be understood that inputs and outputs from spike detector 85, spike characterizer
15 86, spike analyzer 87, disease state estimator 88, filter 101, spectral energy characterizer 102, spectral energy analyzer 103, and disease state estimator 104 may be comprised of individual signals or a plurality of signals. Further, spike detector 85, spike characterizer 86, spike analyzer
20 87, disease state estimator 88, filter 101, spectral energy characterizer 102, spectral energy analyzer 103, and disease state estimator 104 may each have different parameters and signal processing characteristics for each of the multiple signals processed. Because baseline neuronal firing rates differ among various anatomical and functional regions of the brain, and their involvement in disease states and susceptibility to change in firing patterns varies, the respective signal processing circuitry and logic will vary correspondingly. For example, baseline firing rates among neurons in the globus pallidus externus are approximately 43 Hz and those in the globus
25 pallidus internus are 59 Hz..

The input to intracranial stimulating electrode ICSE signal processor 239, referred to above as conditioned intracranial stimulating electrode (ICSE) signal path 84, connects to spike
30 detector 89. Spike detector 89 identifies action potentials in a manner similar to that described above with reference to spike detector 85. Intracranial stimulating electrode ICSE signal processor 239 performs a similar set of functions as intracranial recording electrode ICRE signal processor 238 on a different set of sensory feedback signals. As noted above, spike detection techniques are well known to those skilled in the art.

Spike detector 89 passes waveforms to spike characterizer 90, which uses well known techniques to calculate parameters than characterize the behavior of the individual and groups of neurons, the activity of which is sensed by intracranial stimulating electrode array 37. As noted above with respect to spike characterizer 86, this characterization may include parameterization of spikes, bursts of spikes, and overall neural activity patterns. Similarly, the parameterization may include calculation of spike frequencies, burst frequencies, inter-spike intervals, amplitudes, peak-to-valley times, valley-to-peak times, spectral composition, positive phase amplitudes, negative phase amplitudes, and positive-negative phase differential amplitudes. Such characterization of neural spikes is known to those skilled in the art of neurophysiology. Based on this parameterization, spike characterizer 90 discriminates individual spikes and bursts originating from different neurons. As noted, such discrimination facilitates serial monitoring of activity of individual and groups of neurons and the assessment and quantification of activity change, reflective of change in disease state and of response to therapy.

Spike analyzer 91 receives the parameters from spike characterizer 90, and extracts higher level information, including average spike frequencies, average interspike intervals, average amplitudes, standard deviations thereof, trends, and temporal patterning. The function and operation of spike analyzer 91 is similar to that described herein with reference to spike analyzer 87. Similarly, spike analyzer 91 may receive additional input directly or indirectly from accelerometers and/or EMG arrays to facilitate the characterization of neuronal firing patterns relative to activity of muscle groups and movement of joints. This may include, for example, characterization of neuronal spike amplitudes and tuning of firing to movement, including but not limited to movement velocity and direction. Such characterization may be used to assess functioning of the sensorimotor system, including but not limited to motor response time, and to measure the disease state and response to therapy.

Intracranial stimulating electrode (ICSE) single unit-based (SU) disease state estimator 92 receives input from either or both spike characterizer 90 and spike analyzer 91. ICSE SU disease state estimator 92 receives input representative of the current neuronal activity from spike characterizer 90. ICSE SU disease state estimator 92 may receive input representative of at least one of several signals, including desired neuronal activity, actual neuronal activity, and the difference between these quantities. The ICSE SU disease state estimate, calculated by ICSE SU disease state estimator 92, may be comprised of a single or a plurality of signals, consistent with a representation of the disease state by a single or a multitude of state variables, respectively.

As with intracranial recording electrode signal processor 238, inputs and outputs from spike detector 89, spike characterizer 90, spike analyzer 91, disease state estimator 92, filter 106, spectral energy characterizer 107, spectral energy analyzer 108, and disease state estimator 109 may include individual or a plurality of signals, and each may have different parameters and signal processing characteristics for each of the multiple signals processed. Because baseline neuronal firing rates differ among various anatomical and functional regions of the brain, and their involvement in disease states and susceptibility to change in firing patterns varies, the respective signal processing circuitry and logic varies correspondingly.

Figure 4 is a schematic diagram of a globus pallidus 119 implanted with stimulating and recording electrodes. Intracranial catheter 7 is shown in place with electrode of the intracranial stimulating electrode array 37 located within the globus pallidus internus (Gpi) 120, including globus pallidus internus internal segment (GPi,i) 94 and globus pallidus internus external segment (GPi,e) 95, and globus pallidus externus (GPe) 96.

Intracranial stimulating electrodes 1 and 2 are shown implanted in the globus pallidus internus internal segment (GPi,i) 94; and intracranial stimulating electrodes 3 and 4 are shown implanted in the globus pallidus internus external segment (GPi,e) 95 and globus pallidus externus (GPe) 96, respectively. It should be understood that this arrangement is illustrative of one preferred embodiment, and other stimulating and recording electrode configurations may be employed without departing from the present invention.

The optic tract 97 is shown in its close anatomical relationship to the globus pallidus internus (Gpi) 120. The risk inherent in treatment modalities involving irreversible tissue ablation should be apparent; stereotactic errors of only one to several millimeters during lesioning of the globus pallidus internus (Gpi) 120 may result in irreversible damage or complete destruction of the optic tract 97. Furthermore, the advantage of a system which dynamically adjusts the amplitude of inhibitory electrical stimulus to the globus pallidus 119 to minimize said amplitude offers the potential advantage of minimization of side effects including interference with visual signals of the optic tract 97 and prevention of overtreatment.

Intracranial stimulating electrodes 1,2,3,4 are shown implanted in the GPi,i 94, GPi,e 95, GPe 96, respectively. This is one preferred embodiment. Numerous permutations of electrode stimulation site configuration may be employed, including more or fewer electrodes in each of these said regions, without departing from the present invention. Electrodes may be implanted within or adjacent to other regions in addition to or instead of those listed above without departing

from the present invention, said other reasons including but not limited to the ventral medial Vim thalamic nucleus, other portion of the thalamus, subthalamic nucleus (STN), caudate, putamen, other basal ganglia components, cingulate gyrus, other subcortical nuclei, nucleus locus ceruleus, pedunculo-pontine nuclei of the reticular formation, red nucleus, substantia nigra, other brainstem
5 structure, cerebellum, internal capsule, external capsule, corticospinal tract, pyramidal tract, ansa lenticularis, white matter tracts, motor cortex, premotor cortex, supplementary motor cortex, other motor cortical regions, somatosensory cortex, other sensory cortical regions, Broca's area, Wernicke's area, other cortical regions, other central nervous system structure, other peripheral nervous system structure, other neural structure, sensory organs, muscle tissue, or other non-neural
10 structure.

Referring to Figures 3 and 4, a small percentage of cells in the globus pallidus internus internal segment 94 and globus pallidus internus external segment 95 exhibit tremor-synchronous discharges. As noted, at least one of single unit recordings from individual cells and multiple unit recordings from a plurality of cells are processed by signal processor 71. The single and multiple
15 unit recordings may be derived from signals arising from intracranial stimulating electrode array 37, intracranial recording electrode array 38, or other sources. The output from signal processor 71 is connected to control circuit 72 and the output may represent at least one of disease state, magnitude of symptomatology, response to therapy, other parameter, and combination thereof.

Individual electrodes comprising intracranial stimulating electrode array 37 and
20 intracranial recording electrode array 38 may each be of the microelectrode type for single unit recordings, macroelectrode type for multiple unit recordings, other electrode type, or a combination thereof, without departing from the spirit of the present invention. In one preferred embodiment, intracranial stimulating electrode array 37 consists of macroelectrodes. The macroelectrodes facilitate delivery of stimulation current at a lower charge density (coulombs per
25 unit of electrode surface area) than microelectrodes of the same chemistry and surface treatment.

The dimensions of intracranial stimulating electrodes 1-4 are selected such that the current density, or electrical current divided by electrode surface area, is below the threshold of reversible charge injection for the given electrode material.

Standard single cell recording technique, using an electrode with an impedance of
30 typically 1-2 Megohms, involves bandpass filtering with -6 decibel (dB) points at 300 and 10,000 Hertz. This filtering, or a modification thereof, may be accomplished by ICRE filter 65 and ICSE

filter 64; alternatively, it may be performed in spike detector 85 and spike detector 89, respectively, or other portion of stimulating and recording circuit 26.

Figure 5 is a block diagram of one embodiment of an EMG signal processor 233 which is included in a preferred embodiment of signal processor 71. EMG signal processor 233 processes signals from EMG electrode array 50, performing functions including but not limited to full wave rectification, envelope determination, bandpass filtering, threshold discrimination, and others described in more detail below, to produce signals indicative of the overall magnitude of tremor as well as the frequency at which tremor episodes occur. As noted, EMG electrode array 50 includes, but is not limited to, proximal EMG electrode array 45, enclosure-mounted EMG electrode array 46, and distal EMG electrode array 47. EMG electrodes may be located in any implanted or external location without departing from the present invention. For example, electrodes may be located within or in proximity to the hand, forearm, arm foot, calf, leg, abdomen, torso, neck, head, jaw, lip, eyelid, larynx, vocal cords, and tongue.

Conditioned EMG signal path 78 is also connected to a well-known full wave rectifier 123 now or later developed. Output from the full wave rectifier 123 is coupled to an input of an envelope determiner 124. Determination of the envelope of a modulated signal is well known to those skilled in the art of electronics; this may be readily implemented in analog or digital hardware or in software. Output of envelope determiner 124 is connected to inputs of filters 125, 127, 129, 131 and 133. In one embodiment, filters 125, 127, 129, 131, 133 implement passbands of approximately 0.1-2 Hz, 2-3 Hz, 3-5 Hz, 7-8 Hz, and 8-13 Hz, respectively. Outputs of filters 125, 127, 129, 131 and 133 are connected to threshold discriminators 126, 128, 130, 132, 134, respectively.

Threshold discriminators 126, 128, 130, 132, and 134 generate outputs representing episodes of normal voluntary movement (Mv), low frequency intention tremor (Til) resting tremor (Tr), high frequency intention tremor (Tih), and physiologic tremor (Tp), respectively. These outputs are each connected to both of integrator 135 and counter 136. Integrator 135 generates outputs representative of the total activity of each of the above types of movement over at least one period of time. One such time period may be, for example, time since implantation, time since last visit to physician or health care provider, month interval, week interval, day interval, interval since last medication dose, interval since last change in stimulation parameters, weighted average of multiple time windows, and convolution of said activity with arbitrary time window function.

Counter 136 generates outputs representative of the number of episodes of each of the above types of movement over at least one period of time. Such period of time may be, for example, time since implantation, time since last visit to physician or health care provider, month interval, week interval, day interval, interval since last medication dose, interval since last change
5 in stimulation parameters, and weighted average of said number of episodes over multiple time windows. Outputs from integrator 135 and counter 136 are connect to EMG analyzer 137. EMG analyzer 137 performs a number of functions including, for example, calculation of proportions of tremor activity which are of the rest and the intention type, ratios of different types of tremor activity, the level of suppression of resting tremor activity with voluntary movement, assessment
10 of temporal patterns of EMG activity. EMG disease state estimator 138 receives inputs from EMG analyzer 137 and generates output representative of disease state based upon said input. In one preferred embodiment, two disease states are calculated, including a signal representative of the overall magnitude of tremor activity and a signal representative of the frequency of occurrence of tremor events. It should be understood that all signals paths may transmit one or more signals
15 without departing from the present invention.

EMG signals may be sensed from any individual or group of muscles and processed in a manner including but not limited to the determination of severity and frequency of occurrence of various tremor types. Normal or physiologic tremor includes movement in the 8-13 Hz range and may be used as a normalization for the other types of sensed tremor. The predominant
20 pathological form of tremor exhibited in Parkinson's disease patients is the classical "resting" tremor which includes movements in the 3-5 Hz range which are present at rest and suppressed in the presence of voluntary movement. In the present invention, quantification of this tremor type serves as a heavily weighted sensory input in the assessment of disease state and response to therapy. Parkinson's disease patients may also exhibit intention tremor, of which there are two
25 types. The first type of intention tremor is referred to as "low frequency intention tremor" (Til in the present invention) and consists of movements in the 2-3 Hz range. A second type of intention tremor is referred to as "high frequency intention tremor" Tih in the present invention and consists of irregular movements in the 7-8 Hz range which persist throughout voluntary movement. Other types of tremor having associated movement in other ranges may be sensed and represented by the
30 EMG signals.

EMG signals from at least one of orbicularis oculi (effecting eye closure), levator palpebrae (effecting eye opening), and other muscles contributing to eyelid movement, may be

sensed and processed to determine frequency of eye blinking. Patients with Parkinson's disease exhibit a reduction in eyeblinking frequency from the normal of 20 per minute to 5 to 10 per minute, and this parameter is sensed as a measure of disease severity and response to treatment. Additionally, said EMG signals may be sensed and processed for detection and quantification of blepharoclonus, or rhythmic fluttering of the eyelids, and used as a measure of disease state and response to therapy. EMG signals, including baseline levels thereof, may be used to quantify rigidity and hypertonus as measures of disease state and response to therapy. Discharge patterns of individual motor units, including but not limited to synchronization of multiple units and distribution of intervals preceding and following discharge, may be used as measures of disease state and response to therapy.

Figure 6 is a block diagram of one embodiment of an EEG signal processor module 234 which is included in embodiments of signal processor 71. The EEG signal processor module 234 processes signals from EEG electrode array 51. Conditioned EEG signal path 79 connects to an input of artifact rejecter 139 which rejects signals with amplitudes above a threshold. In one embodiment, this threshold is 0.1 mV. An output from artifact rejecter 139 connects to an input of each of supplementary motor area signal extractor 140 and filters 143, 146, 149, 152, 219. Filters 143, 146, 149, 152, and 219 are preferably of the bandpass type with passbands of 13-30 Hz, 8-13 Hz, 4-7 Hz, 0.1-4 Hz, and 0.1-0.3 Hz, respectively. Each filter output is connected to an input of an associated full wave rectifier 141, 144, 147, 150, 153, 220. Each full wave rectifier 141, 144, 147, 150, 153, 220 is connected to an input of an associated envelope determiner 142, 145, 148, 151, 154, and 221, respectively. The envelope determiners generate a signal representative of the envelope of the input signal, typically performed by lowpass filtering with a time constant of 5 seconds. Finally, outputs of envelope determiners 142, 145, 148, 151, 154, and 221 are connected to EEG disease state estimator 155.

Signal SMA generated by supplementary motor area signal extractor 140 represents activity in the supplementary motor area ipsilateral to the intracranial stimulating electrode array (ISEA) 37. Supplementary motor area signal extractor 140 amplifies signals which are unique to elements of the EEG electrode array 51 which overlie the supplementary motor area. The supplementary motor area receives neural signals via neural projections from the basal ganglia and exhibits decreased activity in patients with Parkinson disease. The SMA is essential for sequential movements, which are often impaired in Parkinson's disease patients. The SMA signal provides a quantitative measure of disease state and response to therapy. The SMA signal is extracted from

the anterior EEG leads, predominantly from those in the vicinity of the frontal cortex, and provides a quantitative measure of disease state and response to therapy. Signals beta, alpha, theta, and delta consist of 13-30 Hz, 8-13 Hz, 4-7 Hz, and 0.1-4 Hz activity, respectively.

5 Signal "resp" consists of 0.1-0.3 Hz activity and reflects respiration. Parkinson's disease patients exhibit irregular respiratory patterns characterized by pauses and by abnormally deep breathing while at rest and preceding speech. Assessment of respiratory irregularity as well as other parameters derived from such resp signal serve as quantitative measures of disease state and response to therapy.

10 Anterior EEG electrodes are also used to sense EMG signals, and the EMG signals are processed to determine activity of muscles including but not limited to those related to eye blinking activity. Processing of the EMG signals is included in the Figure 6 circuit block diagram which contains the EEG signal processing component of signal processor 71. However, the processing could be incorporated into EMG signal processing component of signal processor 71 without departing from scope of the present invention. Conditioned EEG signal path 79 is
15 additionally connected to input of full wave rectifier 222, the output of which is connected to the input of an envelope determiner 223. Envelope determiner 223 includes an output connected to input of filter 224. Filter 224 is preferably of the bandpass type with a passband range of 0.1 to 20 Hz. Filter 224 has an output connected to input of threshold discriminator 225, the output of which is connected to EEG disease state estimator 155.

20 Preferably, EMG signals arising from activity of at least one of orbicularis oculi (effecting eye closure), levator palpebrae (effecting eye opening), and other muscles the activity of which is associated with eyelid movement are sensed by anterior EEG electrodes. These EMG signals are processed to determine eye blink events, and the rates and regularity of eye blinking activity are calculated. Frequency and irregularity of eyeblinking as well as blepharoclonus, or rhythmic
25 fluttering of the eyelids, are quantified as measures of disease state and response to therapy.

Figure 7 is a block diagram of one embodiment of an accelerometer signal processor 235 which is incorporated into certain embodiments of signal processor 71. The accelerometer signal processor 235 processes signals from accelerometer array 52. Conditioned accelerometer signal path 80 is connected to an input of each of a plurality of filters 156, 160, 164, 168, 172. The
30 filters are preferably of the bandpass type with passbands of 0.1-2 Hz, 2-3 Hz, 3-5 Hz, 7-8 Hz, and 8-13 Hz, respectively. Other passband frequency ranges may also be used. The output of each filter 156, 160, 164, 168, 172 is connected to an associated full wave rectifiers 157, 161, 165, 169,

and 173, respectively. The output of each rectifier 157, 161, 165, 169, and 173 is connected to an associated envelope determiners 158, 162, 166, 170, and 174, respectively. Outputs of envelope determiners 158, 162, 166, 170, and 174 are connected to inputs of an associated threshold discriminators 159, 163, 167, 171, and 175, respectively.

5 Outputs of threshold discriminators 159, 163, 167, 171, 175 represent episodes of normal voluntary movement (Mv), low frequency intention tremor (Til), resting tremor (Tr), high frequency intention tremor (Tih), and physiologic tremor (Tp), respectively. These outputs are each connected to an integrator 176 and a counter 177. Integrator 176 generates outputs representative of the total activity of each of the above types of movement over at least one period
10 of time. As noted, such a time period may be, for example, time since implementation, time since last visit to physician or health care provider, or some other time interval, weighted average of multiple time windows, or convolution of selected activities with an arbitrary time window function.

 Counter 177 generates outputs representative of the number of episodes of each of the
15 above types of movements over at least one such period of time. Outputs from integrator 176 and counter 177 are connect to an acceleration analyzer 178. Acceleration analyzer 178 calculates proportions of tremor types, such as the rest and intention types, ratios of different types of tremor activity, the level of suppression of resting tremor activity with voluntary movement, and assessment of temporal patterns of movement and acceleration. Acceleration analyzer 178 may
20 perform some or all of these calculations, as well as other calculations, on alternative embodiments of the present invention. Acceleration-based disease state estimator 179 receives input from acceleration analyzer 178 and generates output representative of disease state based upon such input.

 It should be understood that accelerometer signals may be sensed from any individual or
25 group of body components. For example, such signals may be sensed from joints, bones, and muscles. Furthermore, such signals may be processed in any well known manner, including the determination of severity and frequency of occurrence of various tremor types. The types of tremor have been described above with respect to Figure 5.

 Figure 8 is a block diagram of one embodiment of an acoustic signal processor 236 which
30 is included in certain embodiments of signal processor 71. Acoustic signal processor 236 processes signals from acoustic transducer array 53. Conditioned acoustic signal path 81 is connected to a full wave rectifier 180 and a spectral analyzer 185. The output of full wave

rectifier 180 is connected to an input of an envelope determiner 181, an output of which is connected to an input of a low threshold discriminator 182 and a high threshold discriminator 183. Low threshold discriminator 182 and high threshold discriminator 183 each have an output connected to an input of timer 184. Timer 184 generates an output signal representing latency (Lat) and is connected to acoustic analyzer 186. An output of acoustic analyzer 186 is connected to an input of acoustic-based disease state estimator 187. Latency (Lat) represents the latency between initiation of vocal utterance and the subsequent achievement of a threshold level of vocal amplitude. Such a vocal amplitude level is set by high threshold discriminator 183 and may represent steady state vocal amplitude or a preset or dynamically varying threshold. Latency from voice onset to achievement of steady state volume may be delayed in patients with Parkinson's disease and is calculated as a measure of disease state and response to therapy.

Acoustic analyzer 186 receives input from spectral analyzer 185. The respiratory pattern is determined from rhythmic modulation of voice and breathing sounds, sensed by elements of the acoustic transducer array 53. Irregularity and pauses in respiration as well as abnormally deep breathing patterns at rest and preceding speech are exhibited in Parkinson's disease patients. Such parameters are quantified and used as estimates of disease state and response to therapy. Respiration durations are quantified; abnormally deep respiration both during rest and preceding speech are identified and used as indicators of disease state and response to therapy. Pauses in speech and decline in speech amplitude, or fading, are additionally monitored as indicators of disease state and response to therapy. Spectral composition of speech is monitored and the change in spectral composition, reflective of changes of pharyngeal and laryngeal geometry, are quantified. Additionally, the fundamental vocal frequency; that is, the frequency at which the epiglottis vibrates, is extracted and that standard deviation of the fundamental vocal frequency is calculated over various time intervals as a quantified measure of the monotonic quality of speech characteristic of Parkinson's disease. This serves as yet another indicator of disease state and response to therapy.

Figure 9 is block diagram of one embodiment of a peripheral nerve electrode (PNE) signal processor 237 which is implemented in certain embodiments of signal processor 71. PNE signal processor 237 processes signals from peripheral nerve electrode array 54. These signals provided by peripheral nerve electrode array 54 are provided to PNE signal processor 237 via conditioned PNE signal path 82. Conditioned PNE signal path 82 is connected to an input of a spike detector 188 and a filter 191.

Spike detector 188 identifies action potentials. As noted, spike detection techniques are well known to those skilled in the art, and generally employ low and high amplitude thresholds. Waveforms with amplitudes greater than the low threshold and lower than the high threshold are determined to be action potentials. These thresholds may be adjusted in real-time, and the low amplitude threshold is set above the amplitude of background noise and that of nearby cells not of interest, and the high amplitude threshold is set above the amplitude of the desired action potentials to allow their passage while eliminating higher amplitude noise spikes, such as artifacts arising from electrical stimulation currents. It should be understood that bandpass, notch, and other filtering techniques may also be used to improve signal to noise ratio and the sensitivity and specific of spike detectors. Individual neuron action potentials are usually recorded using fine point high-impedance electrodes, with impedances typically ranging from 1 to 5 megohms. Alternatively, larger lower-impedance electrodes may be used for recording, in which case the signals obtained typically represent aggregate activity of populations of neurons rather than action potentials from individual neurons. As noted above, peripheral nerve electrode array 54 may include such electrodes as single unit recording microelectrodes, multiple unit recording microelectrodes, intrafascicular electrodes, other intraneural electrodes, epineural electrodes, and any combination thereof.

A spike characterizer 189 determines firing patterns of individual neurons, including, for example, tonic activity, episodic activity and burst firing. Spike characterizer 189 receives the signals passed by spike detector 188 and calculates parameters that characterize the behavior of the individual and groups of neurons, the activity of which is sensed by peripheral nerve electrode array 54. Such characterization includes but is not limited to parameterization of spikes, bursts of spikes, and overall neural activity patterns. Parameterization includes but is not limited to calculation of frequencies of spikes, frequencies of bursts of spikes, inter-spike intervals, spike amplitudes, peak-to-valley times, valley-to-peak times, spectral composition, positive phase amplitudes, negative phase amplitudes, and positive-negative phase differential amplitudes. These parameters are described in further detail below with reference to Figure 14. Based on this parameterization, spike characterizer 189 discriminates individual spikes and bursts originating from different neurons. The discrimination facilitates aerial monitoring of activity of individual and groups of neurons and the assessment and quantification of activity change, reflective of change in disease state and of response to therapy.

A spike analyzer 190 receives as input the parameters from spike characterizer 189, and extracts higher level information, including but not limited to average spike frequencies, average frequencies of bursts of spikes, average interspike intervals, average spike amplitudes, standard deviations thereof, trends, and temporal patterning.

5 Preferably, spike analyzer 190 additionally calculates the rates of change of spike parameters. From prior and current rates of change, future behaviors may be predicted. Rates of change of the parameters include but are not limited to first, second, and third time derivatives. In alternative embodiments, spike analyzer 190 additionally calculates weighted combinations of spike characteristics and performs convolutions of spike waveforms with other spike waveforms,
10 and other preset and varying waveforms. Such operations may be performed, for example, for purposes including but not limited to autocorrelation and digital filtering.

Spike analyzer 190 may receive additional input from accelerometers, such as those described above, including head mounted accelerometer 12, proximal accelerometer 28, enclosure mounted accelerometer 36, and distal accelerometer 33. Spike analyzer 190 may receive indirect
15 input from these or other accelerometers, as well as from conditioned or processed signals arising therefrom. Such conditioned or processed signals include, for example, the signal transmitted by conditioned accelerometer signal path 80 (Figure 7).

Spike analyzer 190 may receive additional input from EMG arrays. As noted, such EMG arrays may include, for example, proximal EMG electrode array 45, enclosure-mounted EMG
20 electrode array 46, and distal EMG electrode array 47. Spike analyzer 190 may also receive indirect input from these or other EMG electrode arrays, as well as from conditioned or processed signals arising therefrom. Such conditioned or processed signals include but are not limited to the signal transmitted by conditioned EMG signal path 78 (Figure 5). These additional inputs from accelerometers and EMG arrays facilitates the characterization of neuronal firing patterns relative
25 to activity of muscle groups and movement of joints. Such characterization may include, for example, characterization of neuronal spike amplitudes and tuning of neuronal spike frequencies to movement, including but not limited to the signal transmitted by conditioned EMG signal path 78.

The additional input from accelerometers and EMG arrays also facilitates the
30 characterization of neuronal firing patterns relative to activity of muscle groups and movement of joints, including but not limited to characterization of neuronal spike amplitudes and tuning of neuronal spike frequencies to movement, including but not limited to movement velocity and

direction. These characterizations may be used to assess functioning of the sensorimotor system, including but not limited to motor response time, and to measure the disease state and response to therapy.

Peripheral nerve electrode (PNE)-based single unit (SU) disease state estimator 194
5 receives an input representative of the current neuronal activity from spike characterizer 189. PNE-based single unit disease state estimator 194 may receive input representative of at least one of several signals, including desired neuronal activity, actual neuronal activity, and the difference between these quantities. The output from estimator 194 may carry a single or a plurality of signals, consistent with a representation of the disease state by a single or a multitude of state
10 variables, respectively.

Filter 191 has an output connected to an input of spectral energy characterizer 192. Spectral energy characterizer 192 calculates the spectral composition of the signals sensed by the peripheral nerve electrode array 54. Spectral energy characterizer 192 provides outputs to each of spectral energy analyzer 193 and peripheral nerve electrode (PNE)-based multiple unit disease
15 state estimator 232. Output of spectral energy analyzer 193 is connected to an input of PNE-based multiple unit (MU) disease state estimator 232. PNE SU disease state estimator 194 both receives input from and provides output to PNE MU disease state estimator 232.

PNE MU disease state estimator 232 receives as an input signals representative of the current neuronal activity from spectral energy characterizer 192. PNE MU disease state estimator
20 232 may receive input representative of at least one of several signals, including desired neuronal activity, actual neuronal activity, and the difference between these quantities. The output from PNE MU disease state estimator 232 may carry a single or a plurality of signals, consistent with a representation of the disease state by a single or a multitude of state variables, respectively.

It should be understood that inputs and outputs from each spike detector 188, spike
25 characterizer 189, spike analyzer 190, filter 191, spectral energy characterizer 192, spectral energy analyzer 193, and PNE-based single unit disease state estimator 194, and PNE-based multiple unit disease state estimator 232 may each be comprised of individual signals or a plurality of signals. It should also be understood that each of these the units, spike detector 188, spike characterizer 189, spike analyzer 190, filter 191, spectral energy characterizer 192, spectral energy analyzer 193,
30 and PNE-based single unit disease state estimator 194, and PNE MU disease state estimator 232 may each have different parameters and signal processing characteristics for each of the multiple signals processed. Modifications of this processing circuitry may be made to accommodate

various combinations of intraneural electrodes, used for single and multiple unit recordings, and epineural electrodes, used for compound action potential recordings, without departing from the present invention.

Figure 11 is a schematic diagram of one embodiment of a patient-neural modulator system 999 illustrated in Figure 2 with feedback control. Patient-neural modulator system 999 primarily includes an observer 228 and a controller 229. An observer is a component of a control system that is known to those of ordinary skill in the art of control systems. An observer is a functional block in which variables, typically represented in software as parameter values or in hardware as electrical signal amplitudes, represent states of the controlled system. Such a component is used in controlling systems in which one or more of the state variables are not directly observable from the sensed signals. An observer essentially includes a simulated version of the controlled system. Its input are the same control law output signals delivered to the controlled system, and its outputs are desired to match those sensed outputs of the controlled system. The difference between the outputs of the observer and the measured outputs of the controlled system, that is, the outputs of a motor control portion of the patient's nervous system in this case, are used to calculate an observer error signal which may then be used to correct the observer error. Since the observer is implemented in software or hardware, all of its signals, including all state variables, are accessible. In a system such as the complex neural circuitry of the patient, one or more of the state variables may not be "observable", that is directly measurable or calculatable based on measured values. In such a case, the state variables present in the observer may be used as "estimates" of the actual state variables and included in the control law. The general use of "observers" for estimation of "unobservable" state variables is known to those skilled in the art of control theory. The use of observers for the estimation of neural state variables, disease states, and responses to therapy is one of the teachings of the present invention.

Observer 228 includes signal conditioning circuit 76 (Figure 2) and signal processor 71 (Figures 2, 10). Signal processor 71, as noted, includes disease state estimator module array (DSEMA) 229 and aggregate disease state estimator 195. Observer 228 receives patient output "y" from patient 227. Patient output "y" is comprised of one or more signals arising from patient 227. In one preferred embodiment patient output "y" includes one or more signals from EMG electrode array 50, EEG electrode array 51, accelerometer array 52, acoustic transducer array 53, peripheral nerve electrode array 54, intracranial recording electrode array 38, and intracranial

stimulating electrode array 37. It should be understood that additional signals of the same or different type may also be included.

Control circuit 72 (Figure 2) includes summator 226 which receives an input from reference module 116, and a control law circuit block 231. Controller 229 includes the control law circuit block 231 and output stage circuit 77. Controller 229 generates a neural modulation waveforms "u", described in detail below with reference to Figure 13. The function and operation of each of these modules is described in detail below.

Reference disease state "r", generated by reference module 116, is a non-inverting input to summator 226, providing disease state and target reference values for the single or plurality of control laws implemented in control law circuit block 231 introduced above with reference to Figure 2. Reference module 116 may also receive input from control circuit 72, facilitating the dynamic adjustment of reference values. Reference disease state "r" may comprise a single or plurality of signals, each of which may be zero, constant, or time-varying independent of the other.

Disease state error "e" is output from summator 226 and input to controller 229. Disease state error "e", which may comprise a single or plurality of signals, represents a difference between a desired disease state (represented by reference disease state "r") and an actual disease state (represented by disease state estimate "x"). Other methods of calculating disease state estimate "x", including but not limited to linear or nonlinear combinations of reference disease state "r" and disease state estimate "x", may be employed without departing from the present invention.

Controller 229 is comprised of control law circuit block 231 and output stage circuit 77.

Disease state error "e" is input to control law circuit block 231 which generates a control circuit output "uc." Control law circuit block 231 is connected to an input of output stage circuit 77. The output of the controller 229, which is generated by the output stage circuit 77, "u", is delivered to patient 227 in the form of neural modulation waveforms, described in detail below with reference to Figure 13.

Patient output "y" is input to signal conditioning circuit 76, the output of which is connected to the input of DSEMA 229. The output of DSEMA 229 is provided to an aggregate disease state estimator 195, the output of which is the disease state estimate x. Disease state estimate x, which may be comprised of a single or plurality of signals, is an inverting input to summator 226.

Control law circuit block 231 receives disease state estimate x as an additional input, for use in nonlinear, adaptive and other control laws. Reference module 116 receives input from

DSEMA 229 and aggregate disease state estimator 195 for use in dynamically determining reference disease state r . Other modifications, including substitutions, additions, and deletions, may be made to the control loop without departing from the present invention.

Control law circuit block 231 has an autocalibration mode in which multivariable sweeps through stimulation parameters and stimulating electrode configurations are performed to automate and expedite parameter and configuration optimization. This autocalibration feature enables rapid optimization of treatment, eliminating months of iterations of trial and error in optimizing stimulation parameters and electrode configuration necessitated by the prior technique of constant parameter stimulation. Additionally, this autocalibration feature permits real-time adjustment and optimization of stimulation parameters and electrode configuration. This is particularly useful to overcome increases in electrode impedance which result from the body's normal response to implanted foreign bodies in which a fibrotic capsule is commonly formed around the electrodes. Effects of shifts in electrode position relative to a target structures may be minimized by said autocalibration feature. Detection of changes in electrode impedance and position are facilitated by autocalibration feature. The autocalibration feature facilitates detection of changes in electrode impedance and position. Notification of patient and health care provider allows proactive action, including automated or manual adjustment of treatment parameters and advance knowledge of impending electrode replacement needs.

Figure 12 is a schematic diagram of control circuit 72. As noted, control circuit 72 comprises control laws circuit block 231 and summator 226. Disease state error "e" is input to gain stages of control laws, including but not limited to at least one of proportional gain 197, differential gain 198, integral gain 199, nonlinear gain 200, adaptive gain 201, sliding gain 202, and model reference gain 203.

An output of each of these gain stages is connected to what is referred to herein as control law stages. In the illustrative embodiment, control law stages includes proportional controller 230, differential controller 204, integral controller 205, nonlinear controller 206, adaptive controller 207, sliding controller 208, and model reference controller 209, respectively.

Outputs of these control law stages are connected to weight stages, including proportional controller weight 210, differential controller weight 211, integral controller weight 212, nonlinear controller weight 213, adaptive controller weight 214, sliding controller weight 215, and model reference controller weight 216. Outputs of the weight stages are noninverting inputs to summator 217, the output of which is control circuit output "uc". The weight stages may be any combination

of at least one of constant, time varying, and nonlinear without departing from the present invention.

Disease state estimate x is input to nonlinear controller 206, adaptive controller 207, sliding controller 208, and model reference controller 209. The control laws depicted are
5 representative of one possible implementation; numerous variations, including substitutions, additions, and deletions, may be made without departing from the present invention.

The present invention optimizes the efficiency of energy used in the treatment given to the patient by minimizing to a satisfactory level the stimulation intensity to provide the level of treatment magnitude necessary to control disease symptoms without extending additional energy
10 delivering unnecessary overtreatment. In the definition of the control law, a command input or reference input (denoted as r in Figures 11 and 12) specifies the target disease state. In the preferred embodiment, r specifies the target amplitude of tremor. The control law generates an electrical stimulation magnitude just sufficient to reduce the patient's tremor to the target value.

With this apparatus and method, the precise amount of electrical energy required is delivered, and
15 overstimulation is avoided. In present stimulation systems, a constant level of stimulation is delivered, resulting in either of two undesirable scenarios when disease state and symptoms fluctuate: (1) undertreatment, i.e. tremor amplitude exceeds desirable level or (2) overtreatment or excess stimulation, in which more electrical energy is delivered than is actually needed. In the overtreatment case, battery life is unnecessarily reduced. The energy delivered to the tissue in the
20 form of a stimulation signal represents a substantial portion of the energy consumed by the implanted device; minimization of this energy substantially extends battery life, with a consequent extension of time in between reoperations to replace expended batteries.

Figure 13 is a schematic diagram of electrical stimulation waveforms for neural modulation. The illustrated ideal stimulus waveform is a charge balanced biphasic current
25 controlled electrical pulse train. Two cycles of this waveform are depicted, each of which is made of a smaller cathodic phase followed, after a short delay, by a larger anodic phase. In one preferred embodiment, a current controlled stimulus is delivered; and the "Stimulus Amplitude" represents stimulation current. A voltage controlled or other stimulus may be used without departing from the present invention. Similarly, other waveforms, including an anodic phase
30 preceding a cathodic phase, a monophasic pulse, a triphasic pulse, or the waveform may be used without departing from the present invention.

The amplitude of the first phase, depicted here as cathodic, is given by pulse amplitude 1 PA1; the amplitude of the second phase, depicted here as anodic, is given by pulse amplitude 2 PA2. The durations of the first and second phases are pulse width 1 PW1 and pulse width 1 PW2, respectively. Phase 1 and phase 2 are separated by a brief delay d. Waveforms repeat with
5 a stimulation period T, defining the stimulation frequency as $f = 1/T$.

The area under the curve for each phase represents the charge Q transferred, and in the preferred embodiment, these quantities are equal and opposite for the cathodic (Q1) and anodic (Q2) pulses, i.e. $Q = Q1 = Q2$. For rectangular pulses, the charge transferred per pulse is given by $Q1 = PA1 * PW1$ and $Q2 = PA2 * PW2$. The charge balancing constraint given by $-Q1 = Q2$
10 imposes the relation $PA1 * PW1 = -PA2 * PW2$. Departure from the charge balancing constraint, as is desired for optimal function of certain electrode materials, is included in the present invention.

The stimulus amplitudes PA1 and PA2, durations PW1 and PW2, frequency f, or a combination thereof may be varied to modulate the intensity of the said stimulus. A series of
15 stimulus waveforms may be delivered as a burst, in which case the number of stimuli per burst, the frequency of waveforms within the said burst, the frequency at which the bursts are repeated, or a combination thereof may additionally be varied to modulate the stimulus intensity.

Typical values for stimulation parameters include $f = 100-300$ Hz, PA1 and PA2 range from 10 microamps to 10 milliamps, PW1 and PW2 range from 50 microseconds to 100
20 milliseconds. These values are representative, and departure from these ranges is included in the apparatus and method of the present invention.

Figure 14 is a schematic diagram of one example of the recorded waveforms. This represents an individual action potential from a single cell recording, typically recorded from intracranial microelectrodes. Aggregates of multiple such waveforms are recorded from larger
25 intracranial electrodes. The action potentials may be characterized according to a set of parameters including but not limited to time to valley 1 TV1, time to peak 1 TP1, time to valley 2 TV2, amplitude of valley 1 AV1, amplitude of peak 1 AP1, amplitude of valley 2 AV2, and algebraic combinations and polarity reversals thereof.

When recording activity from more than one cell, said characterization facilitates
30 discrimination of waveforms by individual recorded cell. The discrimination allows activity of a plurality of cells to be individually followed over time. The parameterization may be performed

separately on signals recorded from different electrodes. Alternatively, said parameterization may be performed on signals pooled from multiple electrodes.

Following is a description of a general form for representing disease state.

Disease State DS is a vector of individual disease states, including intrinsic disease states
5 DSI and extrinsic disease states DSE:

$$DS = [DS_I DS_E]$$

Intrinsic disease states and extrinsic disease states are, themselves vectors of individual
disease states:

$$DS_I = [DS_{I1} DS_{I2} DS_{I3} \dots DS_{IN}]$$

$$10 \quad DS_E = [DS_{E1} DS_{E2} DS_{E3} \dots DS_{EM}]$$

Intrinsic Disease States include those disease states which characterize the state of disease
at a given point in time. Extrinsic Disease States include variations of intrinsic disease states,
including but not limited to cyclical variations in Intrinsic Disease States, variations in Intrinsic
Disease States which occur in response to external events, and variations in Intrinsic Disease
15 States which occur in response to levels of and changes in levels of electrical stimulation. Said
external events include but are not limited to pharmacologic dosing, consumption of meals,
awakening, falling asleep, transitioning from Parkinsonian "on" state to Parkinsonian "off" state,
transitioning from Parkinsonian "off" state to Parkinsonian "on" state.

Each of Intrinsic Disease States and Extrinsic Disease States include but are not limited
20 to those defined herein; additional disease states and definitions thereof may be added without
departing from the present invention.

The first intrinsic disease state DS_{I1} represents the level of resting tremor

$$DS_{I1} = RT_N$$

Where Normalized Resting Tremor Magnitude RT_N is given by:

$$25 \quad RT_N = T_{A,3-5} * W_{TA,3-5} + T_{E,3-5} * W_{TE,3-5} + T_{P,3-5} * W_{PE,3-5} + T_{C,3-5}$$

$$+ W_{TC,3-5} + T_{N,3-5} * W_{TN,3-5} + T_{S,3-5} * W_{TS,3-5} + T_{E,3-5} * W_{TE,3-5}$$

Where the factors from which the Resting Tremor Magnitude RT_N is determined,
representing estimates of the magnitude of 3-5 Hertz movement of selected body segments,
including but not limited to limbs, torso, and head are:

$$30 \quad T_{A,3-5} = \text{Tremor level determined by acceleration monitoring}$$

$$W_{TA,3-5} = \text{Weighting factor for tremor } T_{A,3-5}$$

	$T_{E,3-5}$	=	Tremor level determined by electromyographic (EMG) monitoring
	$W_{TE,3-5}$	=	Weighting factor for tremor $T_{E,3-5}$
5	$T_{P,3-5}$	=	Tremor level determined by peripheral nerve electrode monitoring
	$W_{TP,3-5}$	=	Weighting factor for tremor $T_{P,3-5}$
	$T_{C,3-5}$	=	Tremor level determined by cortical electrode monitoring
	$W_{TC,3-5}$	=	Weighting factor for tremor $T_{C,3-5}$
10	$T_{N,3-5}$	=	Tremor level determined by neural monitoring, including subcortical nuclei, white matter tracts, and spinal cord neurons
	$W_{TN,3-5}$	=	Weighting factor for tremor $T_{N,3-5}$
	$T_{S,3-5}$	=	Tremor level determined by acoustic sensor monitoring
	$W_{TS,3-5}$	=	Weighting factor for tremor $T_{S,3-5}$

Weighting factors are adjusted after implantation to achieve normalization of RT_N and to allow for selective weighting of tremor levels as determined from signals arising from various sensors, including but not limited to those listed.

These calculations may be implemented in analog hardware, digital hardware, software, or other form. In the preferred embodiment, values are implemented as 16-bit variables; ranges for said weighting factors and tremor levels are 0 to 65535. These ranges may be changed or implemented in analog form without departing from the present invention.

The second intrinsic disease state DS_{I2} represents the level of dyskinesia:

$$DS_{I2} = D_N$$

Where Normalized Dyskinesia Magnitude D_N is given by:

$$D_N = D_A * W_{DA} + T_E * W_{TE} + T_P * W_{PE} + T_C * W_{TC} + T_N * W_{TN} + T_S * W_{TS} + T_E * W_{TE}$$

Where

	$D_{A,3-5}$	=	Dyskinesia level determined by acceleration monitoring
	$W_{DA,3-5}$	=	Weighting factor for Dyskinesia $D_{A,3-5}$
30	$D_{E,3-5}$	=	Dyskinesia level determined by electromyographic (EMG) monitoring
	$W_{DE,3-5}$	=	Weighting factor for Dyskinesia $D_{E,3-5}$

- 5
- $D_{P,3-5}$ = Dyskinesia level determined by peripheral nerve electrode monitoring
- $W_{DP,3-5}$ = Weighting factor for Dyskinesia $D_{P,3-5}$
- $D_{C,3-5}$ = Dyskinesia level determined by cortical electrode monitoring
- $W_{DC,3-5}$ = Weighting factor for Dyskinesia $D_{C,3-5}$
- $D_{N,3-5}$ = Dyskinesia level determined by neural monitoring, including subcortical nuclei, white matter tracts, and spinal cord neurons
- $W_{DN,3-5}$ = Weighting factor for Dyskinesia $D_{N,3-5}$
- 10 $D_{S,3-5}$ = Dyskinesia level determined by acoustic sensor monitoring
- $W_{DS,3-5}$ = Weighting factor for Dyskinesia $D_{S,3-5}$

The third intrinsic disease state DS_{I3} represents the level of rigidity.

$$DS_{I3} = R_N$$

Where Normalized Rigidity Magnitude R_N is given by:

15

$$R_N = R_A * W_{RA} + R_E * W_{RE} + R_P * W_{RE} + R_C + W_{RC} + R_N * W_{RN} + R_S * W_{RS} + R_E * W_{RE}$$

Where

- $R_{A,3-5}$ = Rigidity level determined by acceleration monitoring
- $W_{RA,3-5}$ = Weighting factor for Rigidity $R_{A,3-5}$
- 20 $R_{E,3-5}$ = Rigidity level determined by electromyographic (EMG) monitoring
- $W_{RE,3-5}$ = Weighting factor for Rigidity $R_{E,3-5}$
- $R_{P,3-5}$ = Rigidity level determined by peripheral nerve electrode monitoring
- 25 $W_{RP,3-5}$ = Weighting factor for Rigidity $R_{P,3-5}$
- $R_{C,3-5}$ = Rigidity level determined by cortical electrode monitoring
- $W_{RC,3-5}$ = Weighting factor for Rigidity $R_{C,3-5}$
- $R_{N,3-5}$ = Rigidity level determined by neural monitoring, including subcortical nuclei, white matter tracts, and spinal cord neurons
- 30 $W_{RN,3-5}$ = Weighting factor for Rigidity $R_{N,3-5}$
- $R_{S,3-5}$ = Rigidity level determined by acoustic sensor monitoring

$W_{RS,3-5}$ = Weighting factor for Rigidity $R_{S,3-5}$

The fourth intrinsic disease state DS_{I4} represents the level of bradykinesia.

$$DS_{I4} = B_N$$

Where Normalized Bradykinesia Magnitude B_N is given by:

$$5 \quad B_N = B_A * W_{BA} + B_E * W_{BE} + B_P * W_{PE} + B_C \\ + W_{BC} + B_N * W_{BN} + B_S * W_{BS} + B_E * W_{BE}$$

Where

- R_A = Bradykinesia level determined by acceleration monitoring
- W_{RA} = Weighting factor for Bradykinesia R_A
- 10 R_E = Bradykinesia level determined by electromyographic (EMG) monitoring
- W_{RE} = Weighting factor for Bradykinesia R_E
- R_P = Bradykinesia level determined by peripheral nerve electrode monitoring
- 15 W_{RP} = Weighting factor for Bradykinesia R_P
- R_C = Bradykinesia level determined by cortical electrode monitoring
- W_{RC} = Weighting factor for Bradykinesia R_C
- R_N = Bradykinesia level determined by neural monitoring, including subcortical nuclei,
- 20 white matter tracts, and spinal cord neurons
- W_{RN} = Weighting factor for Bradykinesia R_N
- R_S = Bradykinesia level determined by acoustic sensor monitoring
- W_{RS} = Weighting factor for Bradykinesia R_S

25 The control law drives these disease states toward their reference values, nominally 0, according to a vector of weights, establishing a prioritization

Side Effects:

Side effects and other parameters, such as power consumption and current magnitude, are also quantified and minimized according to a cost function..

30 One advantage of the present invention is that it provides prediction of future symptomatology, cognitive and neuromotor functionality, and treatment magnitude requirements.

Such predictions may be based on preset, learned and real-time sensed parameters as well as input from the patient, physician or other person or system. The prediction of future symptomatology

is based upon any of several weighted combination of parameters. Based upon prior characterization of the circadian fluctuation in symptomatology (that is, tremor magnitude for deep brain stimulation or level of depression for stimulation of other sites including locus cerulius), future fluctuations may be predicted. An estimate, or model, of fluctuation may be based upon
5 a combination of preset, learned, and real-time sensed parameters. Preset parameters are derived from clinical studies designed specifically for the purpose of gathering such data, or from estimates extracted from data gleaned from published literature. Real-time sensed parameters are derived from the current states (and changes, i.e. derivatives and other processed signals, thereof) of sensed and processed signals. Learned parameters are based upon the time histories of
10 previously sensed signals. For example, the circadian fluctuation in tremor amplitude may be sensed; a weighted average of this data collected over numerous prior days provides as estimate of the expected tremor amplitude as well as a standard deviation and other statistical parameters to characterize the anticipated tremor amplitude. Similarly, in the presence of closed-loop feedback, the level of stimulation required to reduce or eliminate tremor may be used as an
15 estimate of the "amplitude" or state of the underlying disease.

Another advantage of the present invention is that it performs automated determination of the optimum magnitude of treatment --- by sensing and quantifying the magnitude and frequency of tremor activity in the patient, a quantitative representation of the level or "state" of the disease is determined. The disease state is monitored as treatment parameters are automatically
20 varied, and the local or absolute minimum in disease state is achieved as the optimal set of stimulation parameters is converged upon. The disease state may be represented as a single value or a vector or matrix of values; in the latter two cases, a multivariable optimization algorithm is employed with appropriate weighting factors.

Having now described several embodiments of the invention, it should be apparent to
25 those skilled in the art that the foregoing is merely illustrative and not limiting, having been presented by way of example only. For example, all signal paths may transmit a single or plurality of signals without departing from the present invention. Numerous modifications and other embodiments are within the scope of one of ordinary skill in the art and are contemplated as falling within the scope of the invention as defined by the appended claims.

30 What is claimed is:

CLAIMS

1. A neural modulation system for use in treating disease which provides stimulus intensity which may be varied.
- 5 2. The device of claim 1, wherein said stimulation is at least one of activating, inhibitory, and a combination of activating and inhibitory.
3. The device of claim 1, wherein said disease is at least one of neurologic and psychiatric.
- 10 4. The device of claim 3, wherein said neurologic disease includes at least one of Parkinson's disease, Huntington's disease, Parkinsonism, rigidity, hemiballism, choreoathetosis, dystonia, akinesia, bradykinesia, hyperkinesia, other movement disorder, epilepsy, or the seizure disorder.
- 15 5. The device of claim 4, wherein said psychiatric disease includes at least one of depression, bipolar disorder, other affective disorder, anxiety, phobia, schizophrenia, multiple personality disorder.
- 20 6. The device of claim 3, wherein said psychiatric disorder includes substance abuse, attention deficit hyperactivity disorder, impaired control of aggression, or impaired control of sexual behavior.
7. The device of claim 1, wherein said stimulus intensity is time-varying.
- 25 8. The device of claim 7, wherein said time-varying stimulus intensity is preprogrammed.
9. The device of claim 8, wherein said time-varying stimulus intensity varies as a function of time, including but not limited to time of day, time relative to food intake, time of year, time since implantation, time since system was reprogrammed, and time since system was evaluated.
- 30 10. The device of claim 1, wherein sensory feedback is used in the determination of said stimulus intensity.

11. The device of claim 10, wherein said sensory feedback consists of at least one of electromyographic signals, accelerometers, electrodes, acoustic transducers, force sensors, pressure sensors, velocity sensors, neurotransmitter sensors, and chemical sensors.
- 5 12. The device of claim 11, wherein said sensory feedback electrodes may also function as stimulating electrodes.
- 10 13. The device of claim 11, wherein said sensory feedback electrodes record signals from at least one of the globus pallidus internus, globus pallidus externus, internal capsule, thalamus, the subthalamic nucleus, the caudate, the putamen, the ansa lenticularis, the corticospinal tract, the substantia nigra, the nigrostriatal tract, cerebral cortex, motor cortex, premotor cortex, sensory cortex, cerebellum, cerebellar cortex, cerebellar nuclei, cerebellar projections, the brain stem, the spinal cord, central nervous system, the cranial nerves the peripheral nervous system, peripheral nerves, ganglia, sensory organs, golgi tendons, muscle stretch receptors, intrafusal fibers, and
15 extrafusal fibers.
14. The device of claim 11, wherein said accelerometer measures movement of at least one of the head, eyes, face, jaw, neck, axial skeleton, appendicular skeleton, arms, legs, hands, feet, fingers, toes, vertebral column, and pelvis.
- 20 15. The device of claim 11, wherein said electromyographic signal arise from at least one of facial muscles, extraocular muscles, muscles of mastication, neck muscles, shoulder muscles, arm muscles, wrist muscles, hand muscles, torso muscles, chest muscles, abdominal muscles, back muscles, buttock muscles, peroneal muscles, leg muscles, calf muscles, foot muscles, and visceral
25 muscles.
16. A device as set forth in claim 4, wherein a control law is used in the determination of the stimulus intensity as a function of input which is a combination of at least one of sensory feedback signals, preprogrammed parameters, time of day, recumbency, level of activity, adaptive
30 parameters, estimates of system performance, and user determined input.

17. The device as of claim 16, wherein said user determined input includes at least one of magnet movement over implanted sensor, muscle contraction, joint movement, audible input, switch activation, head position, head movement, shoulder position, and shoulder movement.
- 5 18. The device as of claim 16, wherein said control law is a combination of at least one of proportional function, derivative function, integral function, nonlinear function, multivariable function, sliding function, model reference function, adaptive function, filter function, and time-varying function of said input.
- 10 19. The device of claim 16, wherein said control law is proportional.
20. The device of claim 16, wherein said control law is of the proportional-derivative type.
21. The device of claim 16, wherein said control law is nonlinear.
- 15 22. The device of claim 16, wherein said control law is multivariable.
23. The device of claim 16, wherein said control law is sliding.
- 20 24. The device of claim 16, wherein said control law is adaptive.
25. The device of claim 16, wherein said control law is model reference.
26. The device of claim 9, wherein sensory feedback is used to estimate mental state.
- 25 27. The device of claim 26, wherein said estimated psychiatric state includes at least one of: mood, elation, depression, anxiety level, and psychosis.
28. A neurological control system for modulating the activity of at least one nervous system
30 component, the neurological control system comprising:
at least one intracranial stimulating electrode, each constructed and arranged to deliver a neural modulation signal to at least one nervous system component;

at least one sensor, each constructed and arranged to sense at least one parameter, including but not limited to physiologic values and neural signals, which is indicative of at least one of disease state, magnitude of symptoms, and response to therapy; and

5 a stimulating and recording unit constructed and arranged to generate said neural modulation signal based upon a neural response sensed by said at least one sensor in response to a previously delivered neural modulation signal.

29. The system of claim 28, wherein said particular characteristic is indicative of at least one of a neurological and psychiatric condition.

10

30. The system of claim 28, wherein said stimulating and recording unit generates said neural modulation signal in accordance with predetermined treatment parameters to treat at least one of a neurological and psychiatric disease.

15 31. The system of claim 28, wherein said stimulating and recording unit comprises:
a signal processor constructed and arranged to determine neural system states; and
a control module for adjusting said at least one neural modulation signal based upon said neural system state.

20 32. The system of claim 28, wherein each of said at least one sensor generates one or more neural response signals, and wherein said stimulating and recording unit further comprises:
a signal conditioner, interposed between said at least one sensor and said signal processor, constructed and arranged to modify said neural response signals appropriately for said signal processor.

25

33. The system of claim 32, wherein said signal conditioner comprises:
at least one amplifier, each constructed and arranged to amplify said neural response signals generated by an associated one of said at least one sensor; and
at least one signal filter, each constructed and arranged to filter said amplified neural
30 response signals generated by an associated one of said at least one sensor and an associated at least one amplifier.

34. The system of claim 33, wherein said at least one signal filter performs at least one of lowpass filtering, highpass filtering, bandpass filtering and notch filtering of said amplified neural response signal.
- 5 35. An apparatus for modulating the activity of at least one nervous system component, said system comprising:
means for delivering neural modulation signal to said nervous system component; and
means for sensing neural response to said neural modulation signal.
- 10 36. The apparatus of claim 35, wherein said delivery means comprises means for generating said neural modulation signal, said generating means comprising:
signal conditioning means for conditioning sensed neural response signals, said conditioning including but not limited to at least one of amplification, lowpass filtering, highpass filtering, bandpass filtering, notch filtering, root-mean square calculation, envelope determination,
15 and rectification;
signal processing means for processing said conditioned sensed neural response signals to determine neural system states, including but not limited to a single or plurality of physiologic states and a single or plurality of disease states; and
controller means for adjusting neural modulation signal in response to sensed neural
20 response to signal.
37. The apparatus of claim 36, wherein said activity is indicative of a neurologic and psychiatric disease.
- 25 38. The apparatus of claim 36, wherein said disease state includes but is not limited to Parkinson's disease, Huntington's disease, hemiballism, choreoathetosis, dystonia, akinesia, bradykinesia, restless legs syndrome, other movement disorder, epilepsy, Alzheimer's disease, dementia, other neurologic disorder, depression, mania, bipolar disorder, other affective disorder, anxiety disorder, phobia disorder, borderline personality disorder, schizophrenia, multiple
30 personality disorder, and other psychiatric disorder.
39. The apparatus of claim 38, wherein said disease is a movement disorder.

40. The apparatus of claim 39, wherein said means for delivering neural modulation signal to said nervous system component includes electrodes implemented into at least one of the globus pallidus internus (GPi), including globus pallidus internus internal segment (GPi,i) and globus pallidus internus external segment (GPi,e), globus pallidus externus (GPe), ventral medial (Vim) thalamic nucleus, other portion of the thalamus, subthalamic nucleus (STN), caudate, putamen, other basal ganglia components, cingulate gyrus, other subcortical nuclei, nucleus locus ceruleus, pedunculopontine nuclei of the reticular formation, red nucleus, substantia nigra, other brainstem structure, cerebellum, internal capsule, external capsule, corticospinal tract, pyramidal tract, ansa lenticularis, white matter tracts, motor cortex, premotor cortex, supplementary motor cortex, other motor cortical regions, somatosensory cortex, other sensory cortical regions, Broca's area, Wernicke's area, other cortical regions, other central nervous system structure, other peripheral nervous system structure, other neural structure, sensory organs, muscle tissue, or other non-neural structure.
- 15 41. The apparatus of claim 39, wherein said means for sensing neural response includes but is not limited to at least one of measures of disease state and response to therapy.
- 20 42. The apparatus of claim 39, wherein said means for sensing neural response includes at least one of accelerometers electromyography electrodes, acoustic sensors, intracranial electrodes, electroencephalography electrodes, and peripheral nerve electrodes.
- 25 43. The apparatus of claim 39, wherein said means for sensing neural response includes a weighted aggregate of processed signals derived from at least one of accelerometers, electromyography electrodes, acoustic sensors, intracranial electrodes, electroencephalography electrodes, and peripheral nerve electrodes.
- 30 44. The apparatus of claim 38, wherein said controller means for generating a neural modulation signal employs a control law using as input signals derived from at least one of accelerometers, electromyography electrodes, acoustic sensors, intracranial electrodes, electroencephalography electrodes, and peripheral nerve electrodes.

45. The apparatus of claim 40, wherein said controller means for generating a neural modulation signal employs a control law using as input a weighted aggregate of processed signals derived from at least one of accelerometers, electromyography electrodes, acoustic sensors, intracranial electrodes, electroencephalography electrodes, and peripheral nerve electrodes.

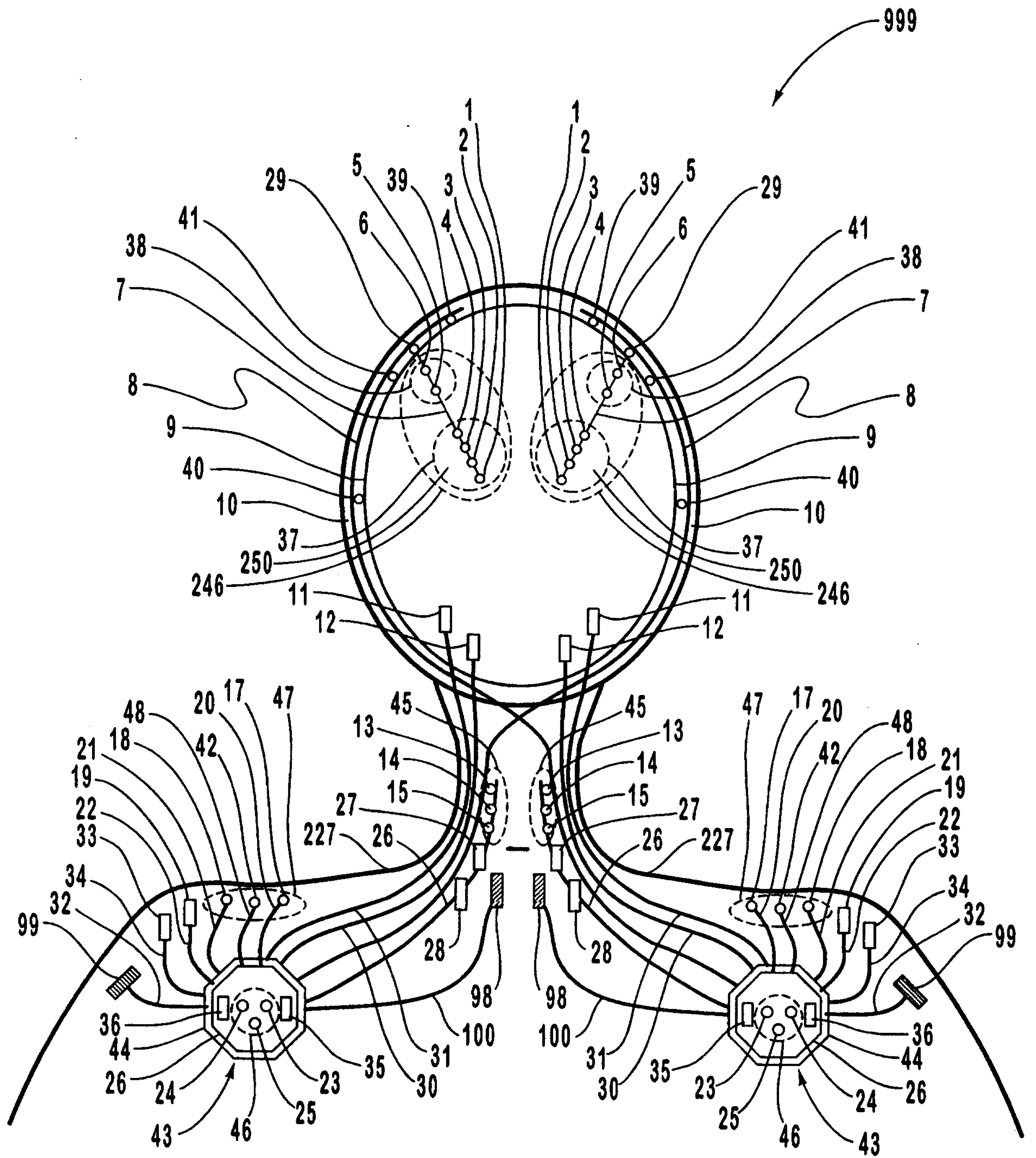


FIG. 1

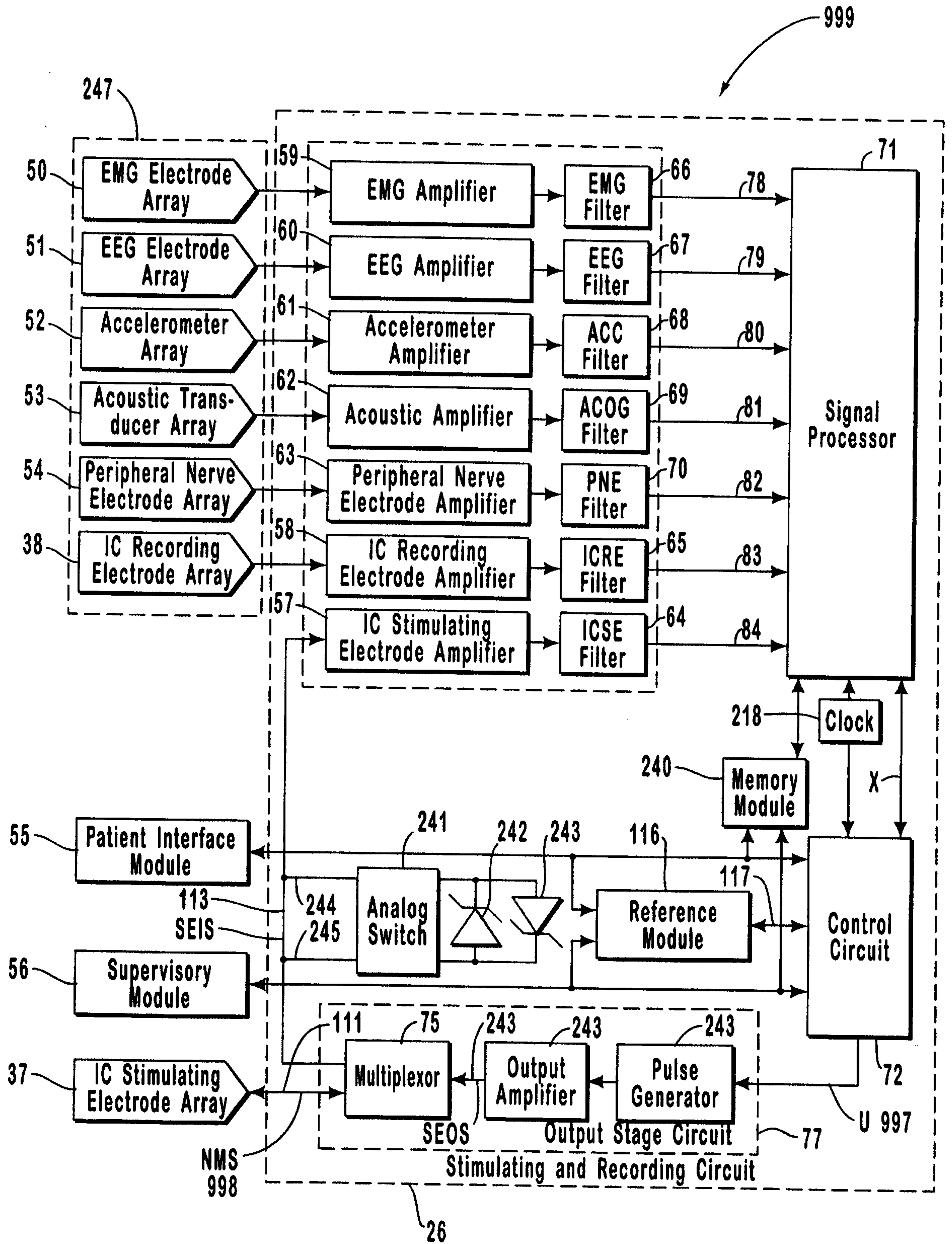


FIG. 2

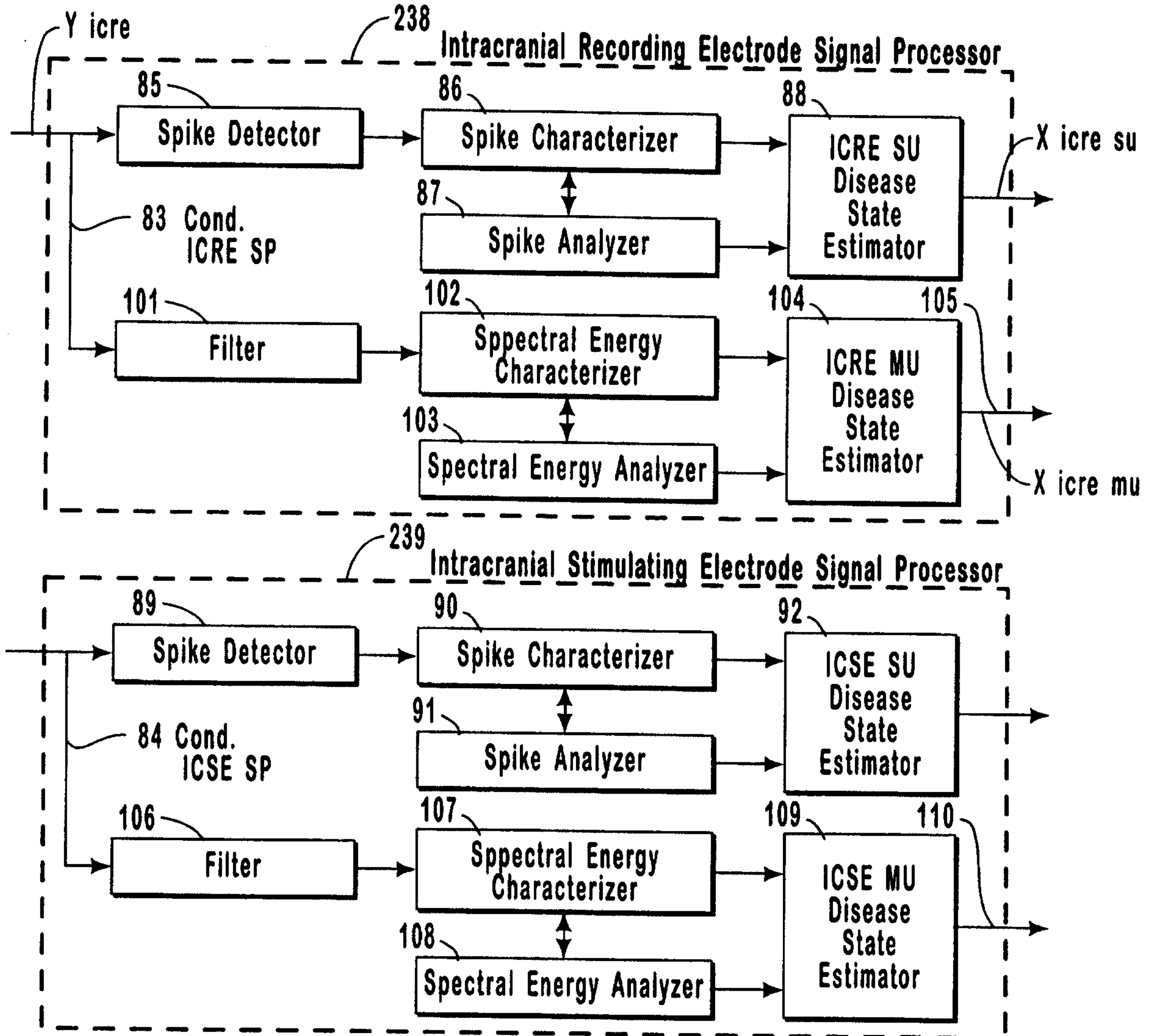


FIG. 3

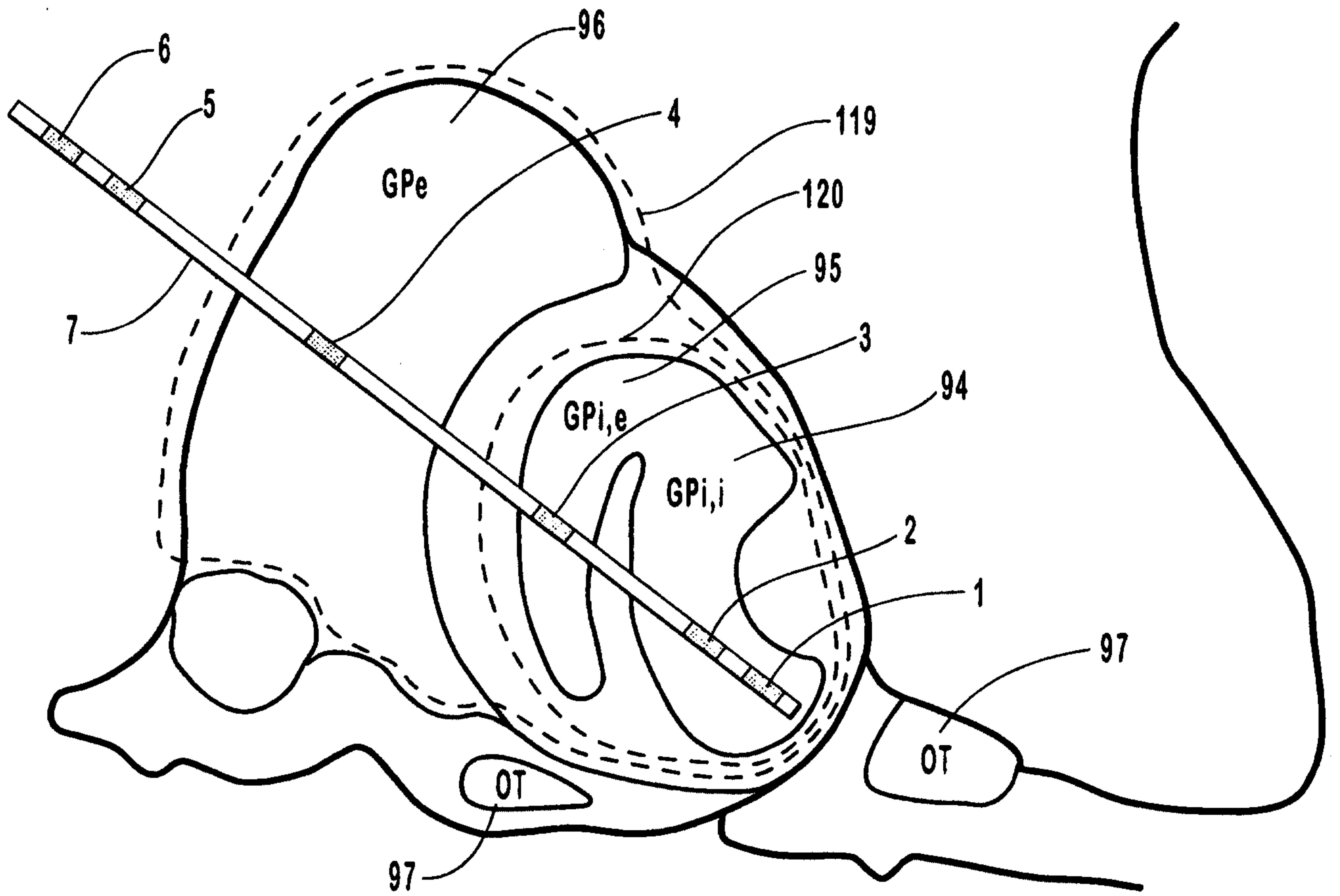


FIG. 4

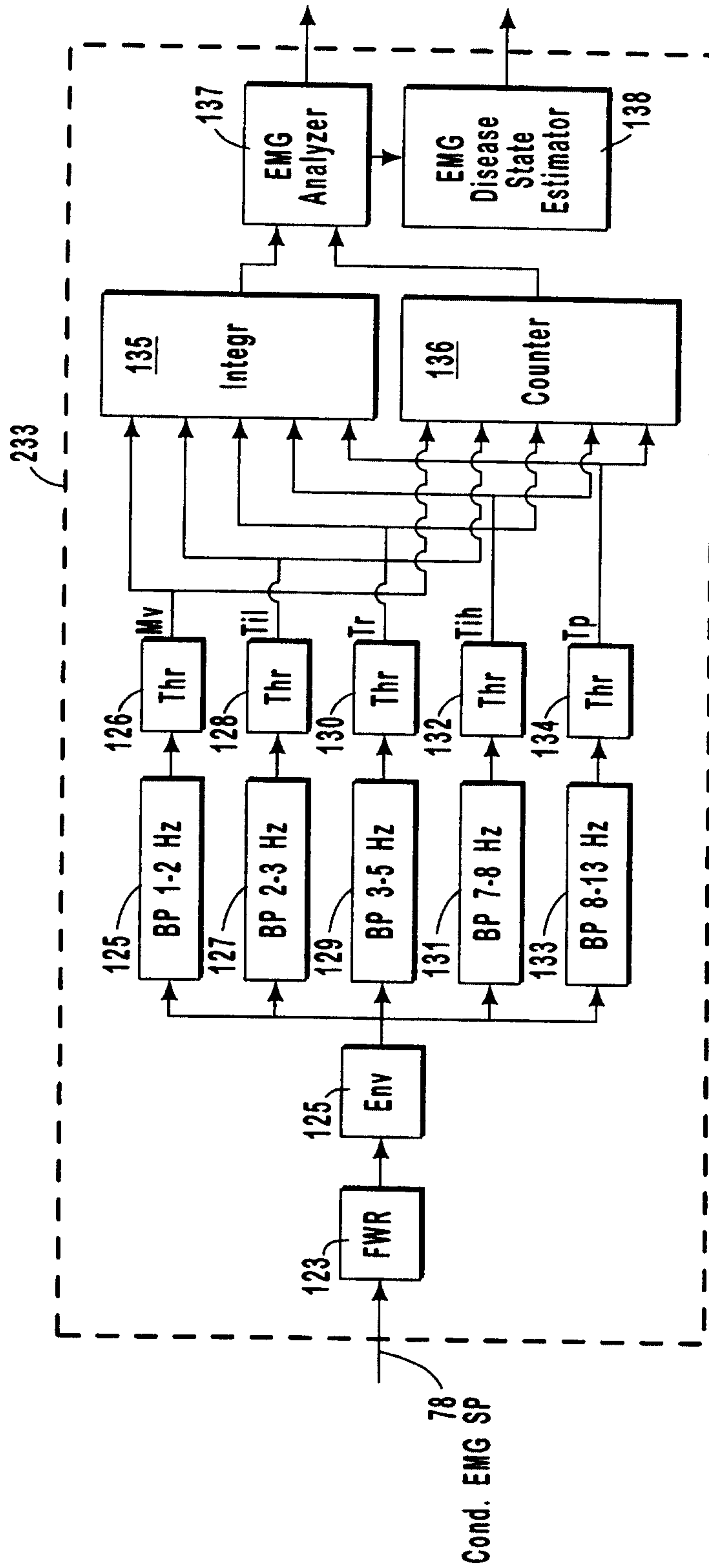


FIG. 5

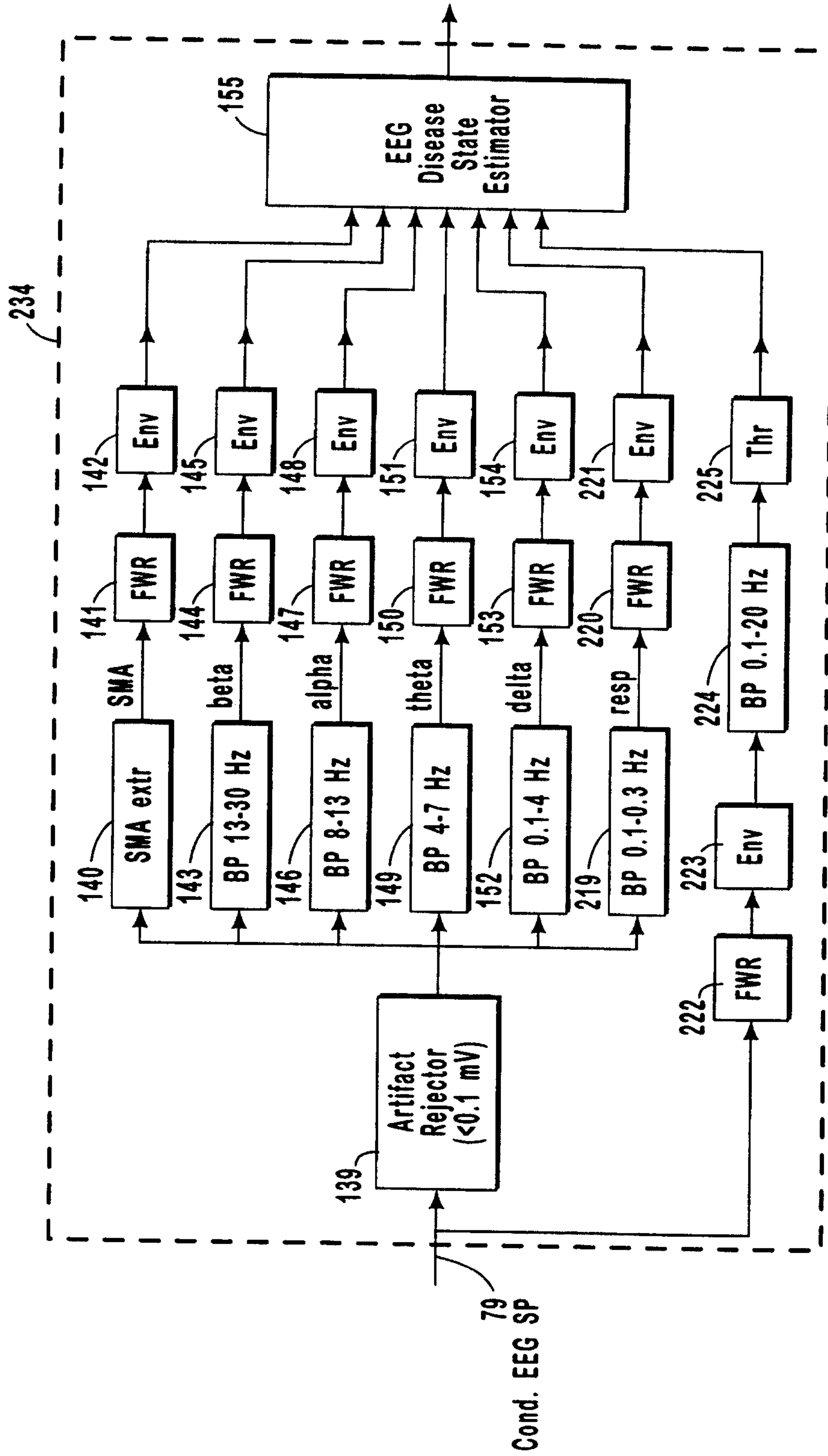


FIG. 6

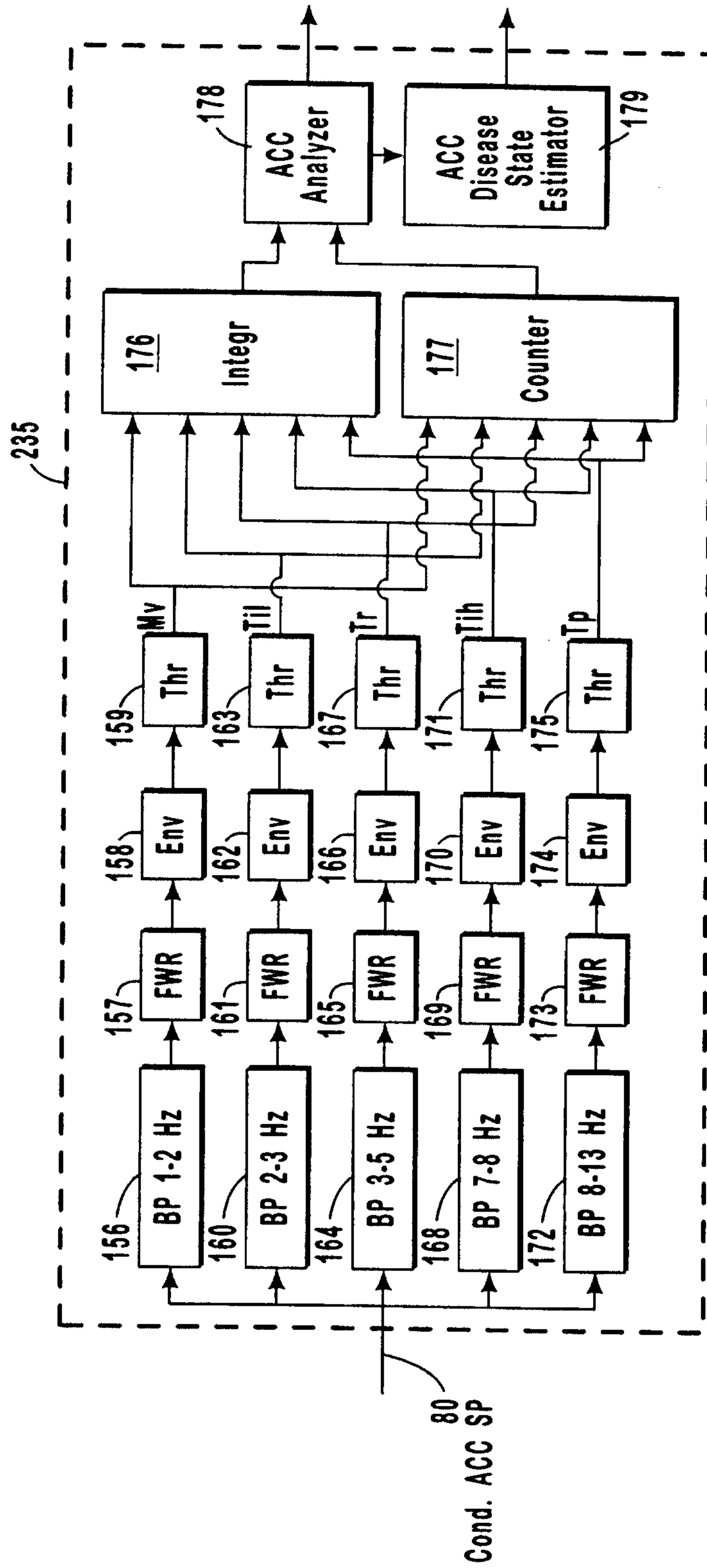


FIG. 7

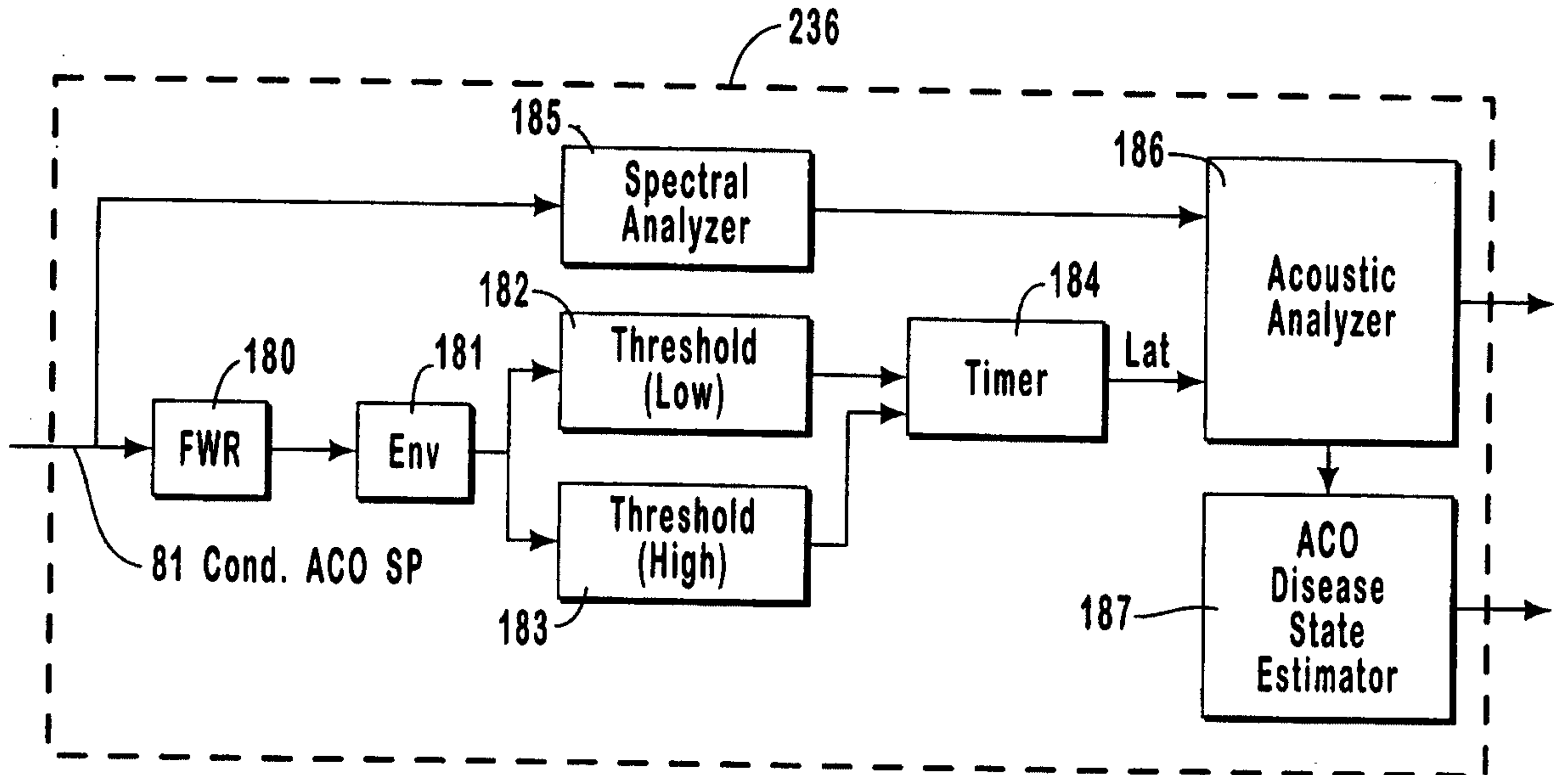


FIG. 8

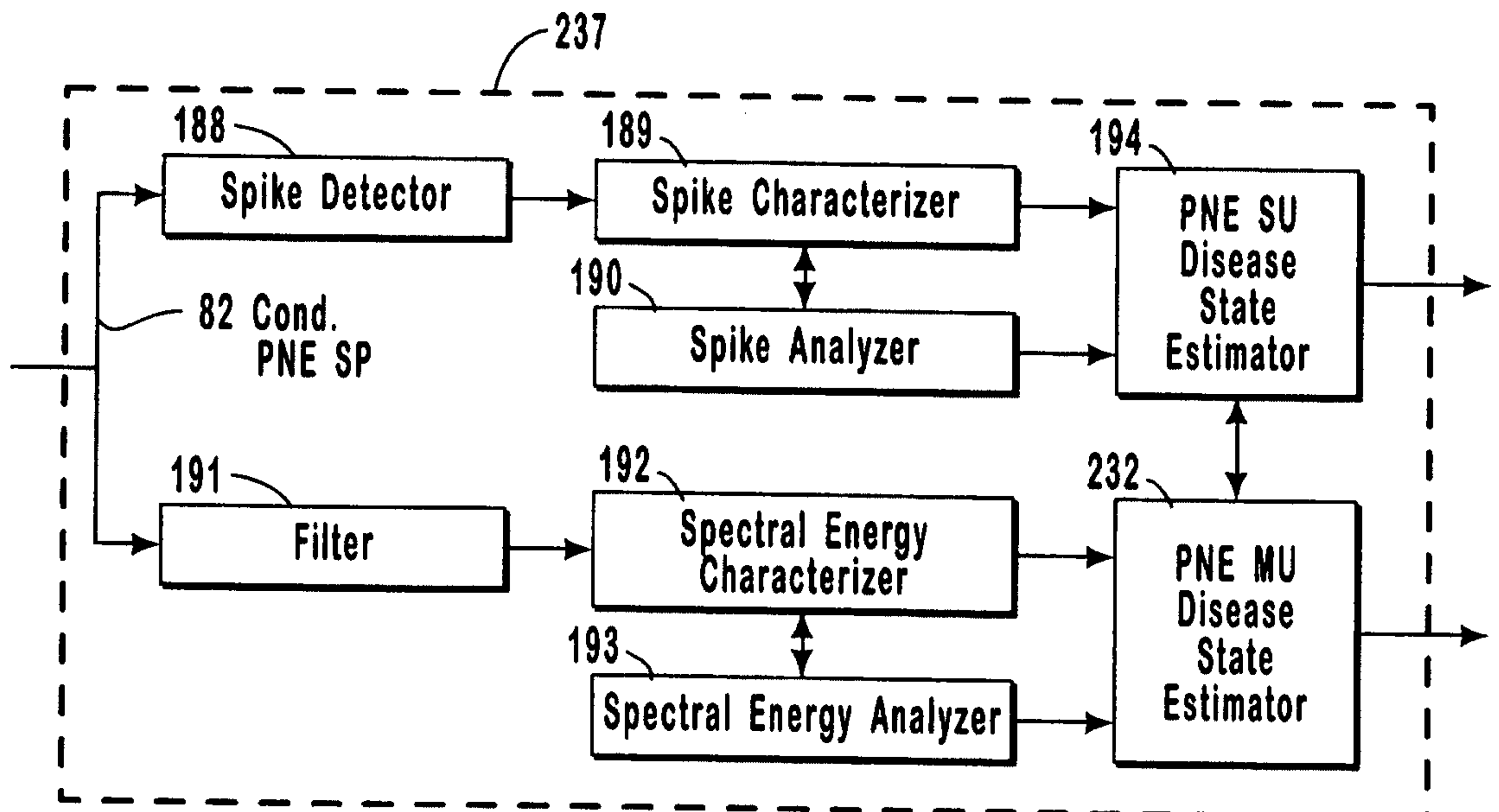


FIG. 9

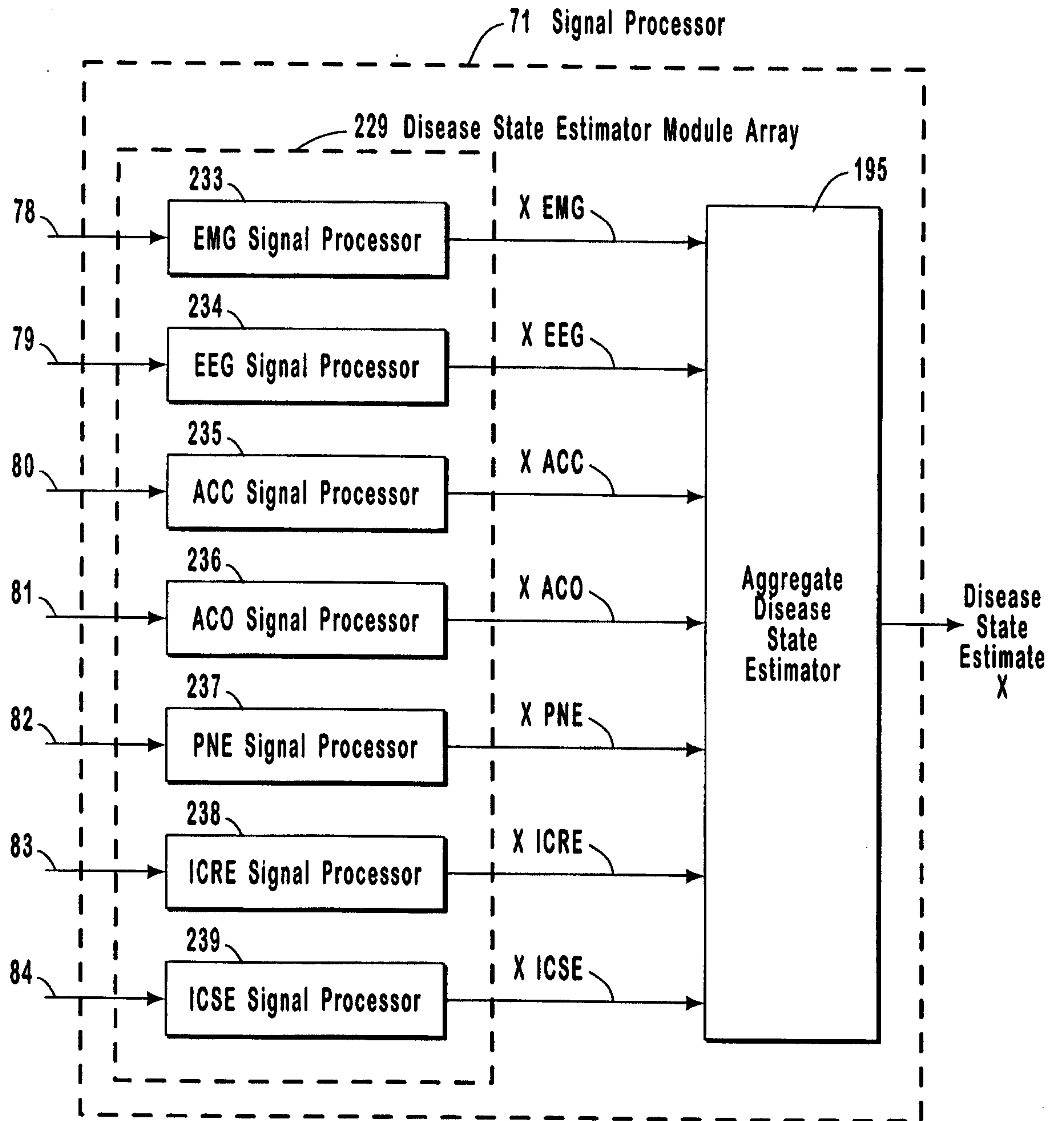


FIG. 10

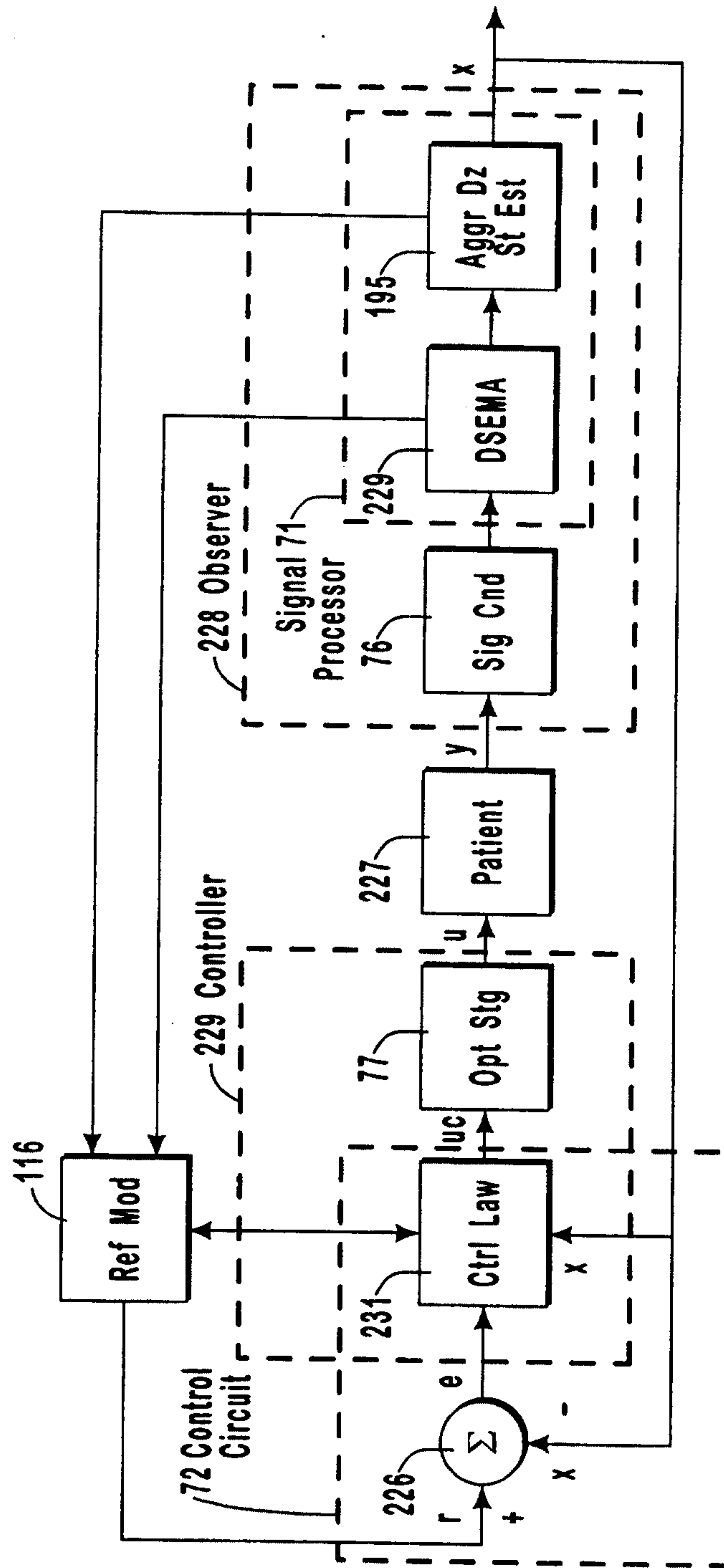


FIG. 11

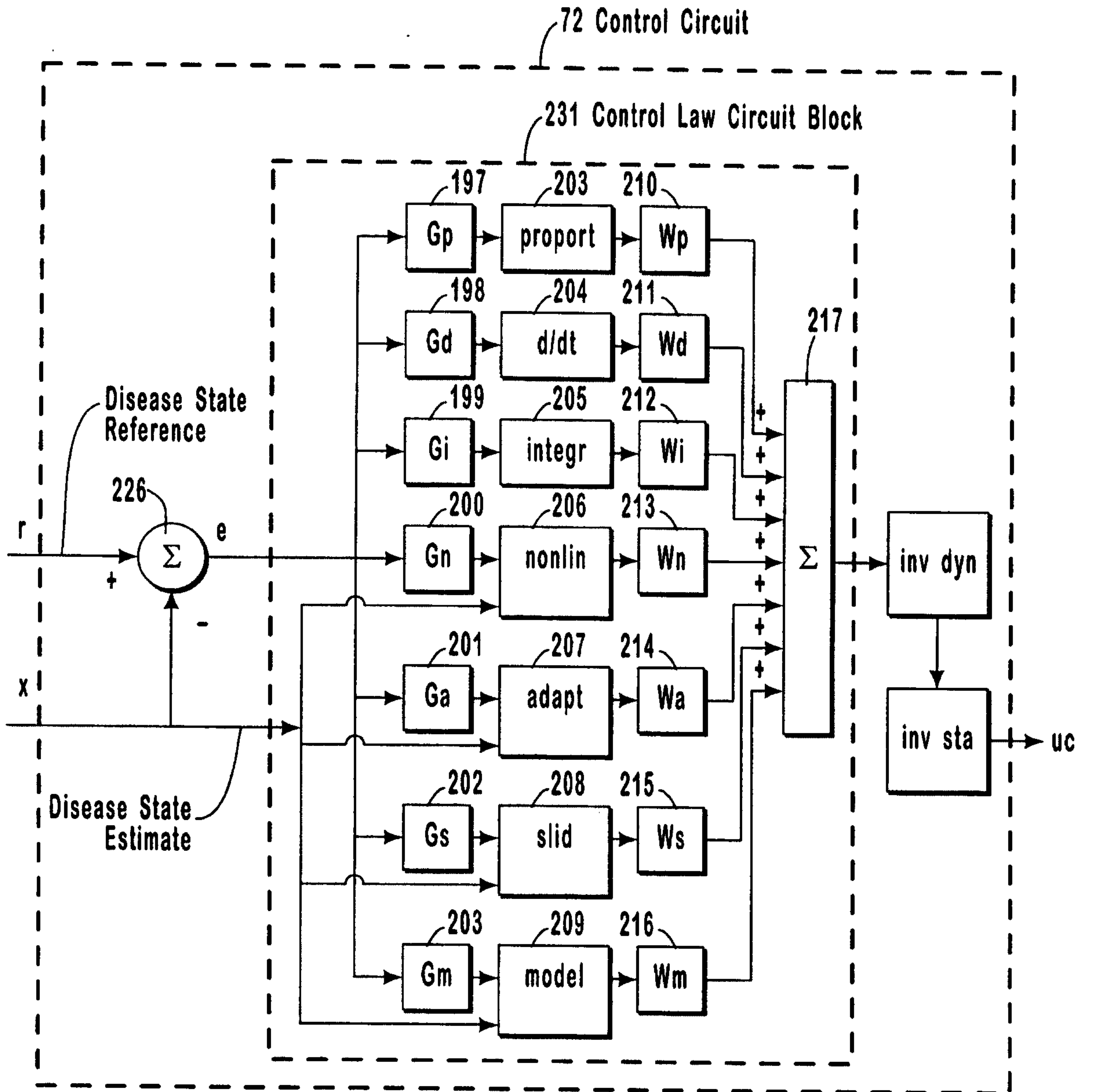


FIG. 12

~~FIG. 12~~

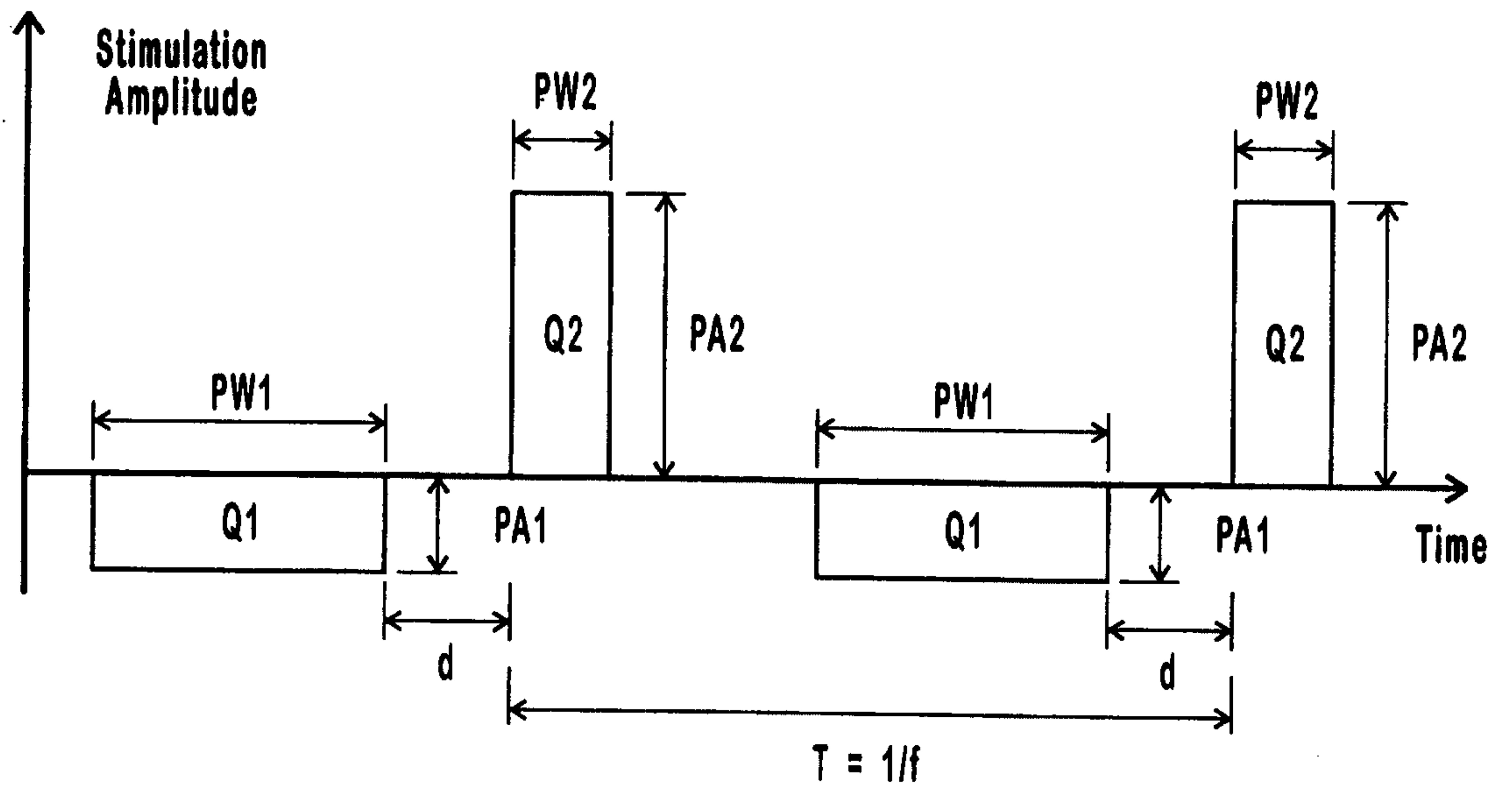


FIG. 13

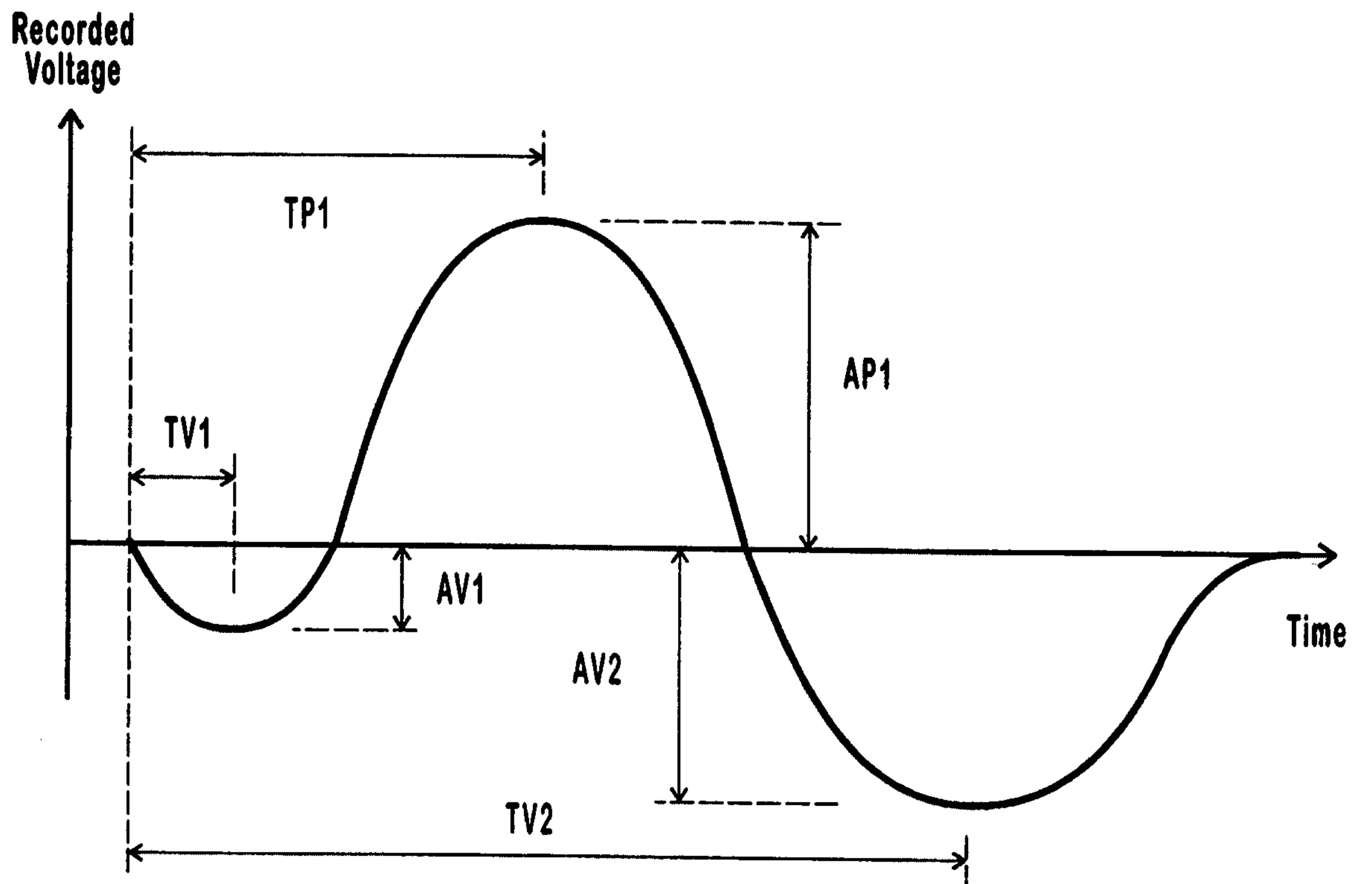


FIG. 14

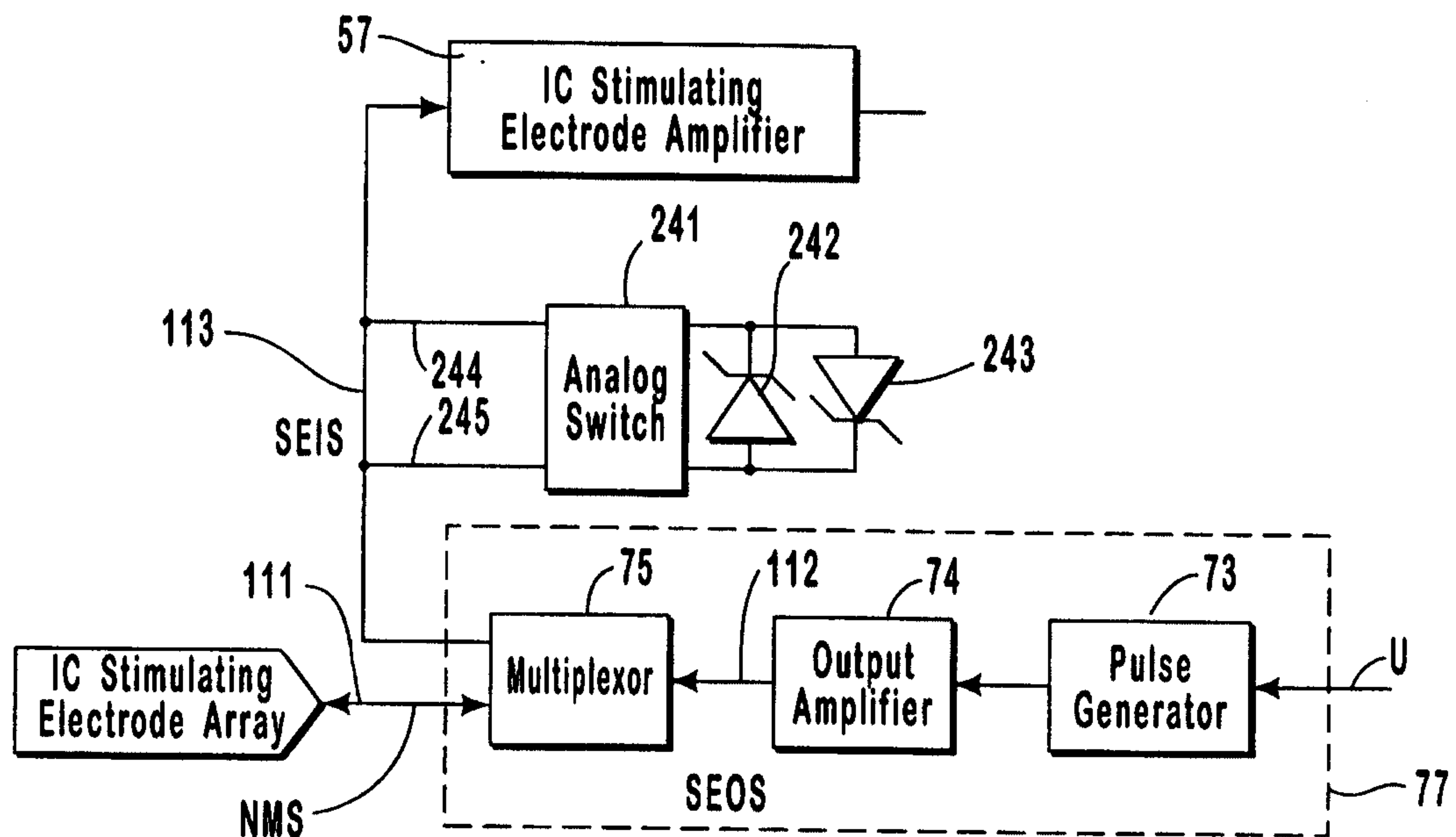
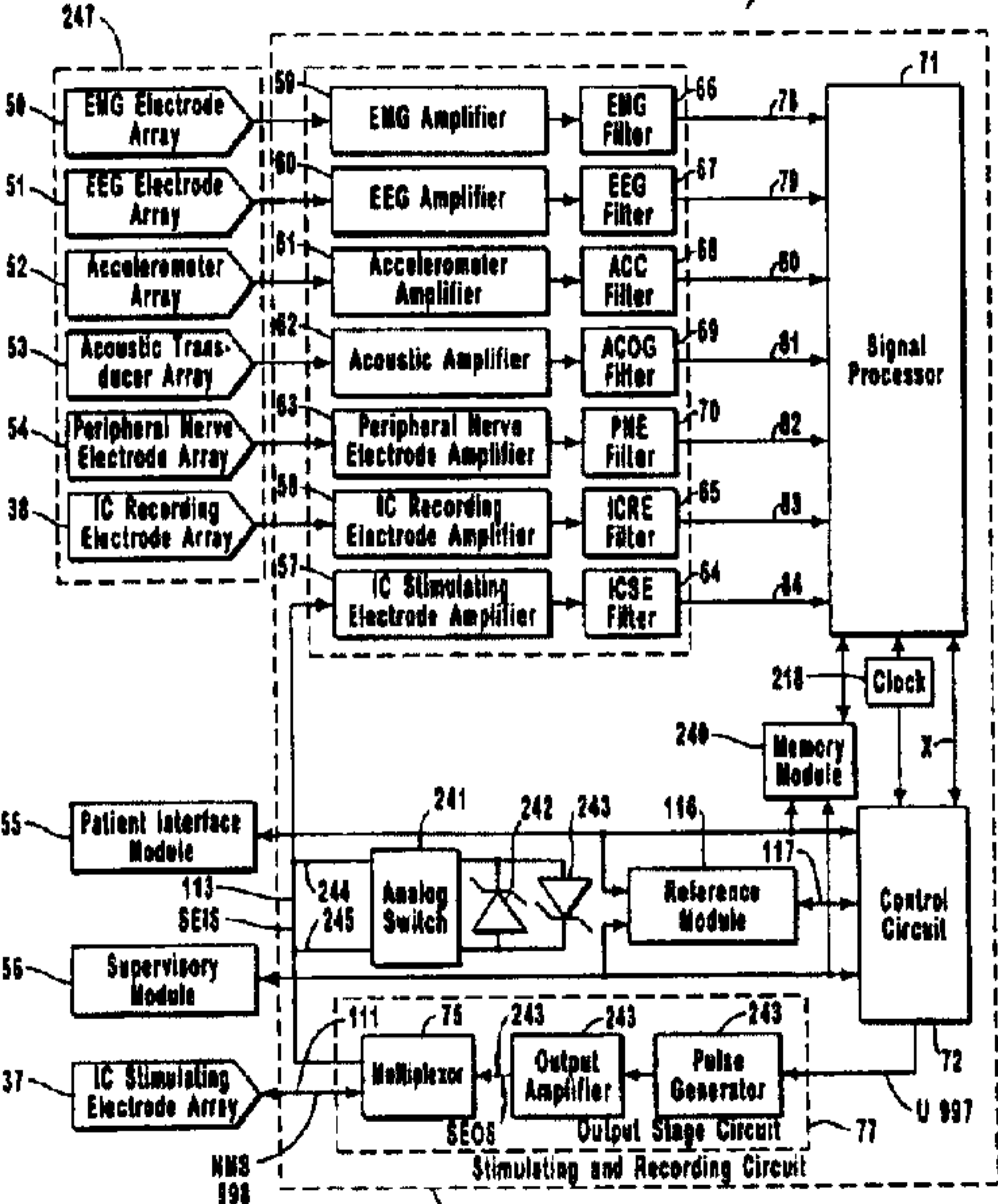


FIG. 15



NMS 998