



US00D999749S

(12) **United States Design Patent**
Qu et al.

(10) **Patent No.:** **US D999,749 S**

(45) **Date of Patent:** **** Sep. 26, 2023**

(54) **TELEVISION**

(71) Applicant: **Shenzhen Chuangwei-RGB Electronics Co., Ltd.**, Shenzhen (CN)

(72) Inventors: **Sai Qu**, Shenzhen (CN); **Xiangcheng Liu**, Shenzhen (CN); **Shaohua Huang**, Shenzhen (CN); **Yajie Li**, Shenzhen (CN)

(73) Assignee: **SHENZHEN CHUANGWEI-RGB ELECTRONICS CO., LTD.**, Shenzhen (CN)

(**) Term: **15 Years**

(21) Appl. No.: **29/785,826**

(22) Filed: **May 27, 2021**

(30) **Foreign Application Priority Data**

Dec. 29, 2020 (CN) 202030815436.2

(51) **LOC (14) Cl.** **14-03**

(52) **U.S. Cl.**
USPC **D14/126**

(58) **Field of Classification Search**
USPC ... D14/125-137, 203.1, 203.3, 203.4, 203.7, D14/239, 248, 314-316, 322, 334, 336,
(Continued)

(56) **References Cited**

U.S. PATENT DOCUMENTS

D319,434 S * 8/1991 Lund D14/341
D629,771 S * 12/2010 Haspil D14/138 G
(Continued)

FOREIGN PATENT DOCUMENTS

KR 301012781.0000 * 1/2020
KR 300908831.0000 * 6/2020
KR 300908837.0000 * 6/2020

OTHER PUBLICATIONS

Meta Portal Go, first available Oct. 19, 2021 [online], [retrieved Dec. 13, 2022]. Available from the Internet, URL:<https://a.co/d/2qzyACM>. (Year: 2021).*

Primary Examiner — Dana K Weiland

Assistant Examiner — Russell Carnell Smith, Jr.

(74) *Attorney, Agent, or Firm* — LADAS & PARRY LLP

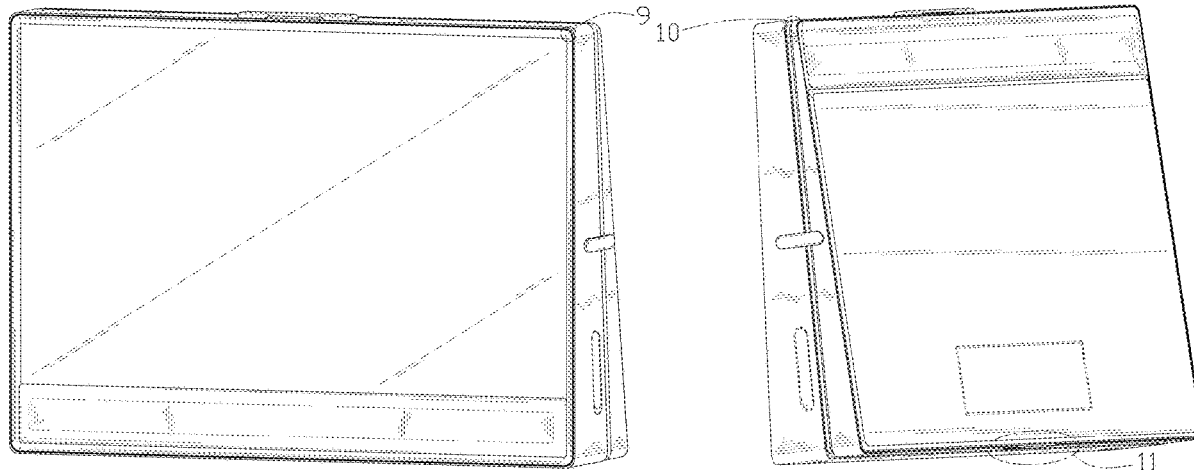
(57) **CLAIM**

The ornamental design for a television, as shown and described.

DESCRIPTION

FIG. 1 is a side perspective view of the new design of a television;
FIG. 2 is another side perspective view thereof;
FIG. 3 is a front elevation view thereof;
FIG. 4 is a rear elevation view thereof;
FIG. 5 is a left side view thereof;
FIG. 6 is a right side view thereof;
FIG. 7 is a top view thereof;
FIG. 8 is a bottom view thereof;
FIG. 9 is an enlarged view thereof, illustrating a portion of the television identified by reference numeral 9 in FIG. 1; and
FIG. 10 is an enlarged view thereof, illustrating a portion of the television identified by reference numeral 10 in FIG. 2; and
FIG. 11 is an enlarged view thereof, illustrating a portion of the television identified by reference numeral 11 in FIG. 2. The broken (dashed) lines show portions of the television that form no part of the claimed design. The dot-dashed broken lines in FIGS. 9-11 show the boundary of the enlarged view and forms no part of the claimed design.

1 Claim, 11 Drawing Sheets



(58) **Field of Classification Search**

USPC D14/339, 340, 341, 371, 373-374, 448,
D14/450, 138 G; D19/113, 114; D6/328,
D6/332
CPC H04N 7/00; H04N 9/3141; H04N 17/04;
H04N 17/004; H04N 21/43637; G06F
1/16; G06F 1/1601; G06F 1/1605; G06F
1/1637; G06F 1/162

See application file for complete search history.

(56) **References Cited**

U.S. PATENT DOCUMENTS

D671,938 S * 12/2012 Hsu D14/341
D674,384 S * 1/2013 Zhang D14/341
D703,311 S * 4/2014 Daly D24/110
D703,626 S * 4/2014 Hermansen D14/126
D723,545 S * 3/2015 Grziwok D14/341
D745,512 S * 12/2015 Lee D14/371
D752,039 S * 3/2016 Park D14/203.3
D809,502 S * 2/2018 Henne D14/341
D836,579 S * 12/2018 Gannon D14/126
D848,969 S * 5/2019 Kim D14/126
D849,701 S * 5/2019 Lee D14/126
D899,388 S * 10/2020 Park D14/126
D899,390 S * 10/2020 Park D14/126
D931,902 S * 9/2021 Moore D14/203.7
D934,192 S * 10/2021 Huang D14/214

* cited by examiner

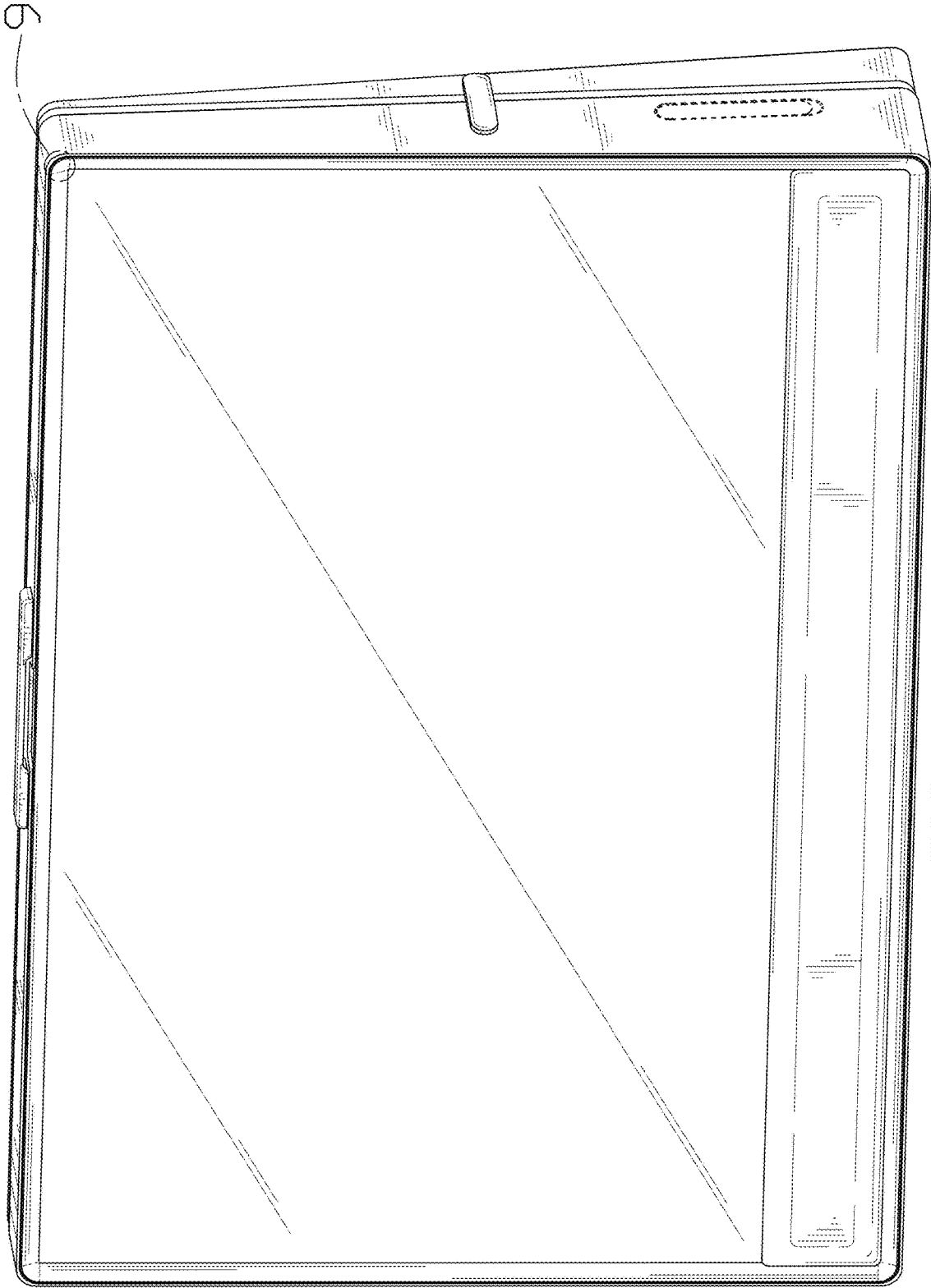


FIG. 1

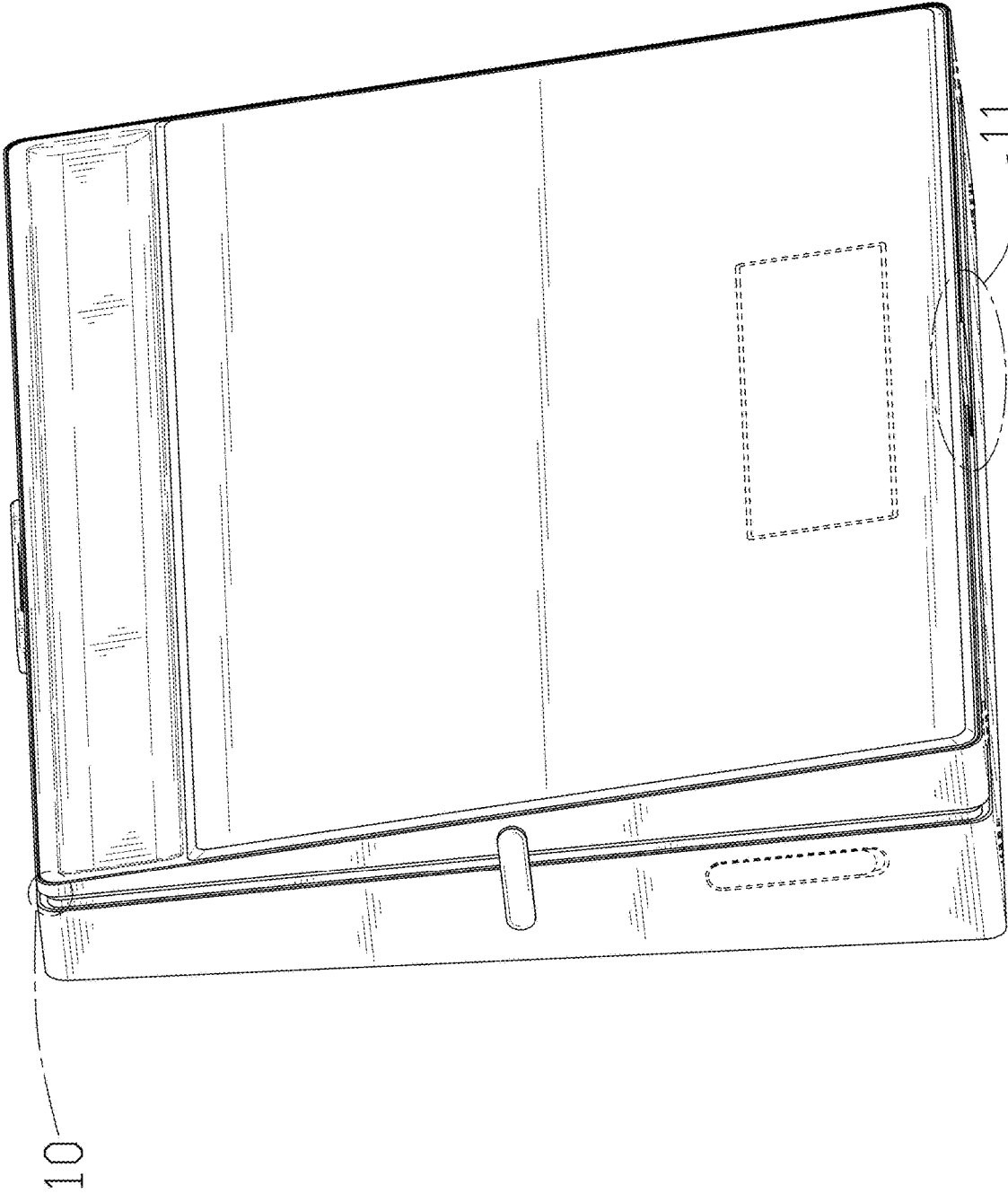


FIG. 2

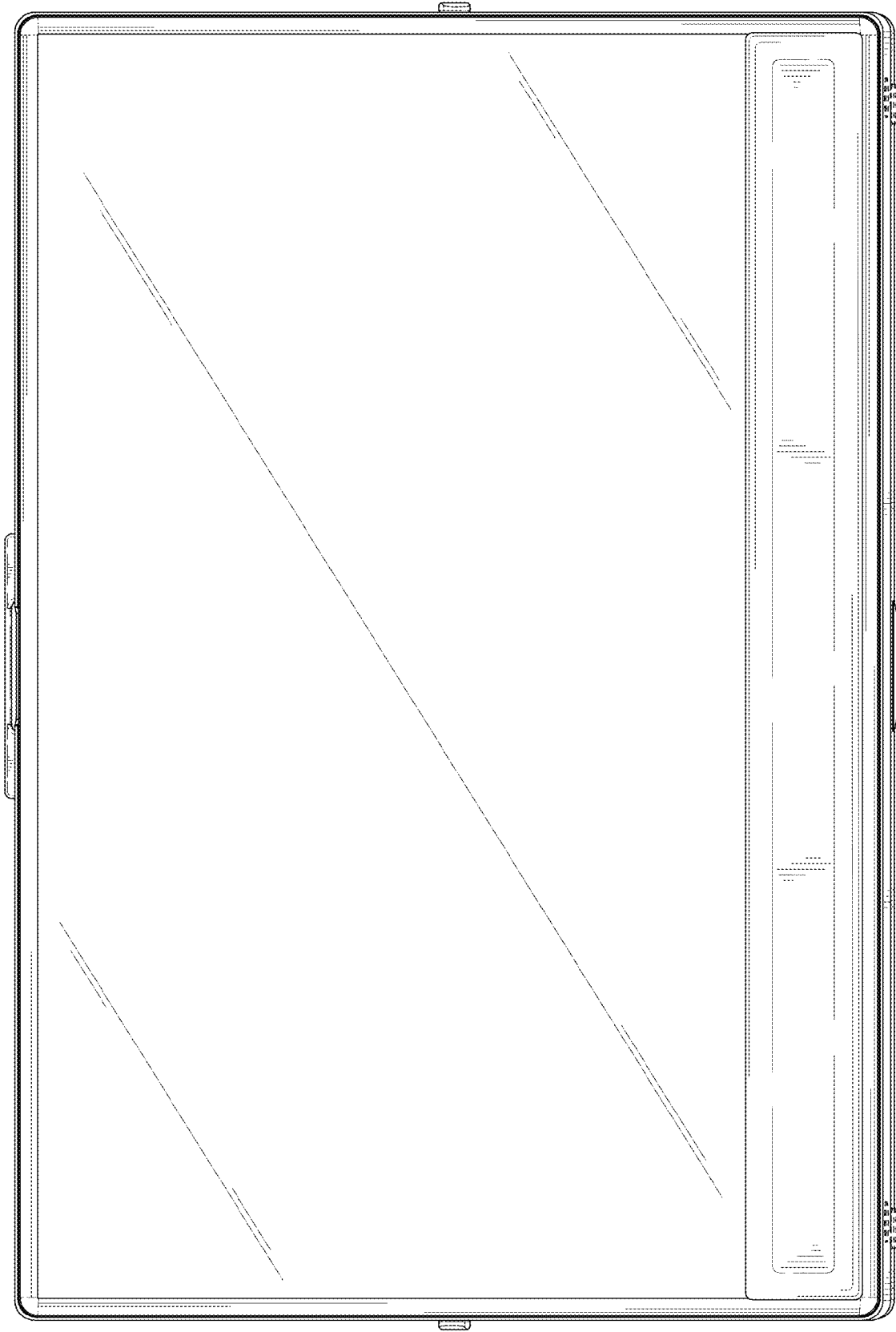


FIG. 3

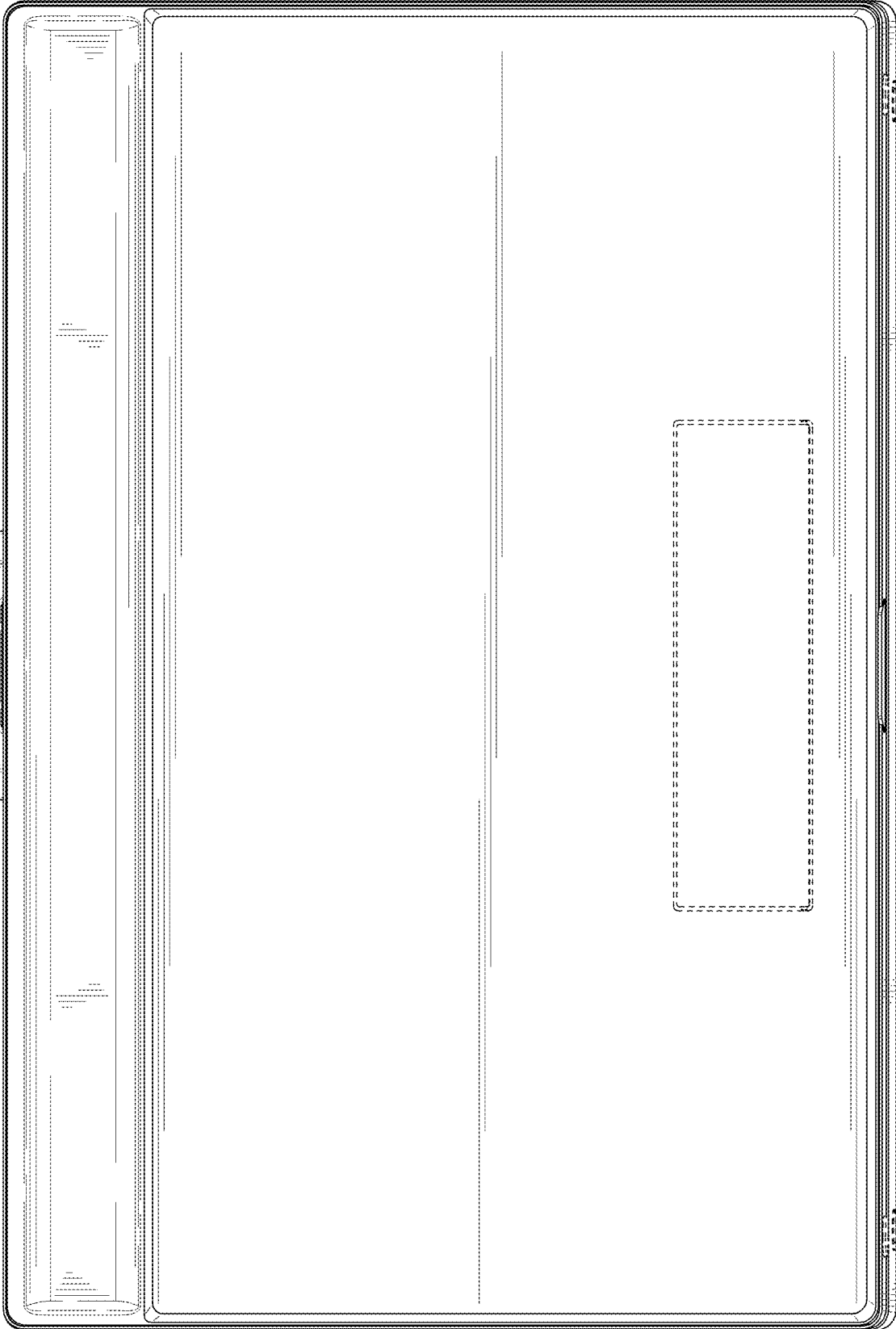


FIG. 4

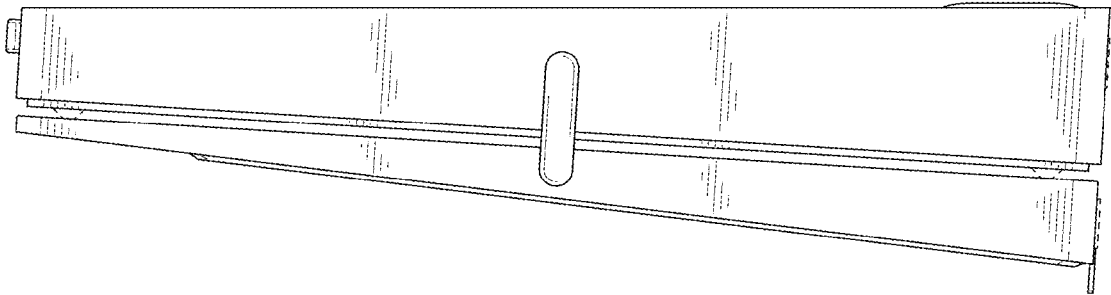


FIG. 5

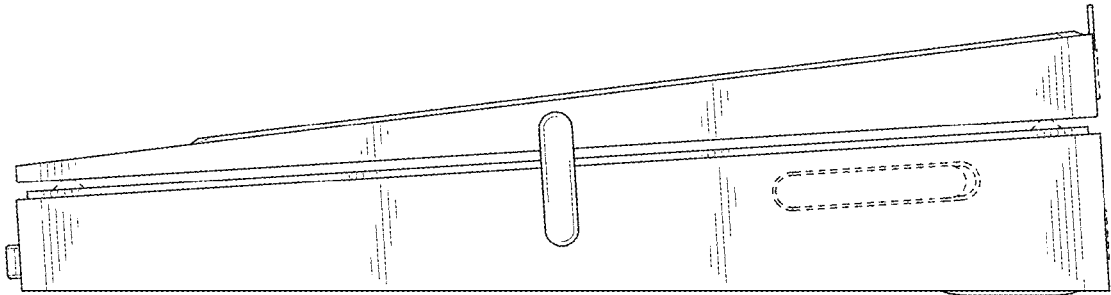


FIG. 6

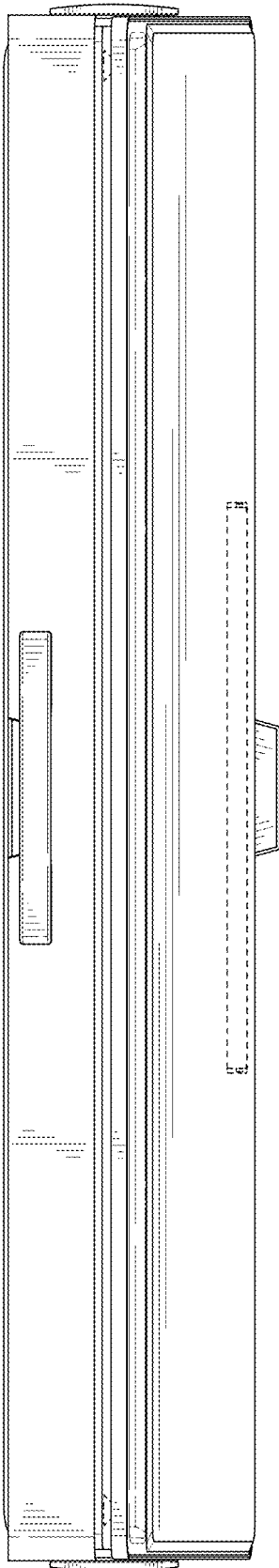


FIG. 7

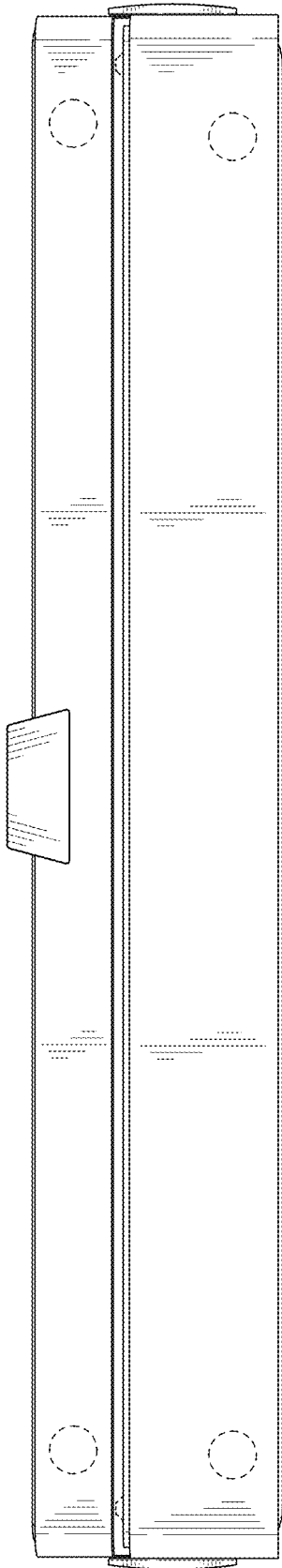


FIG. 8

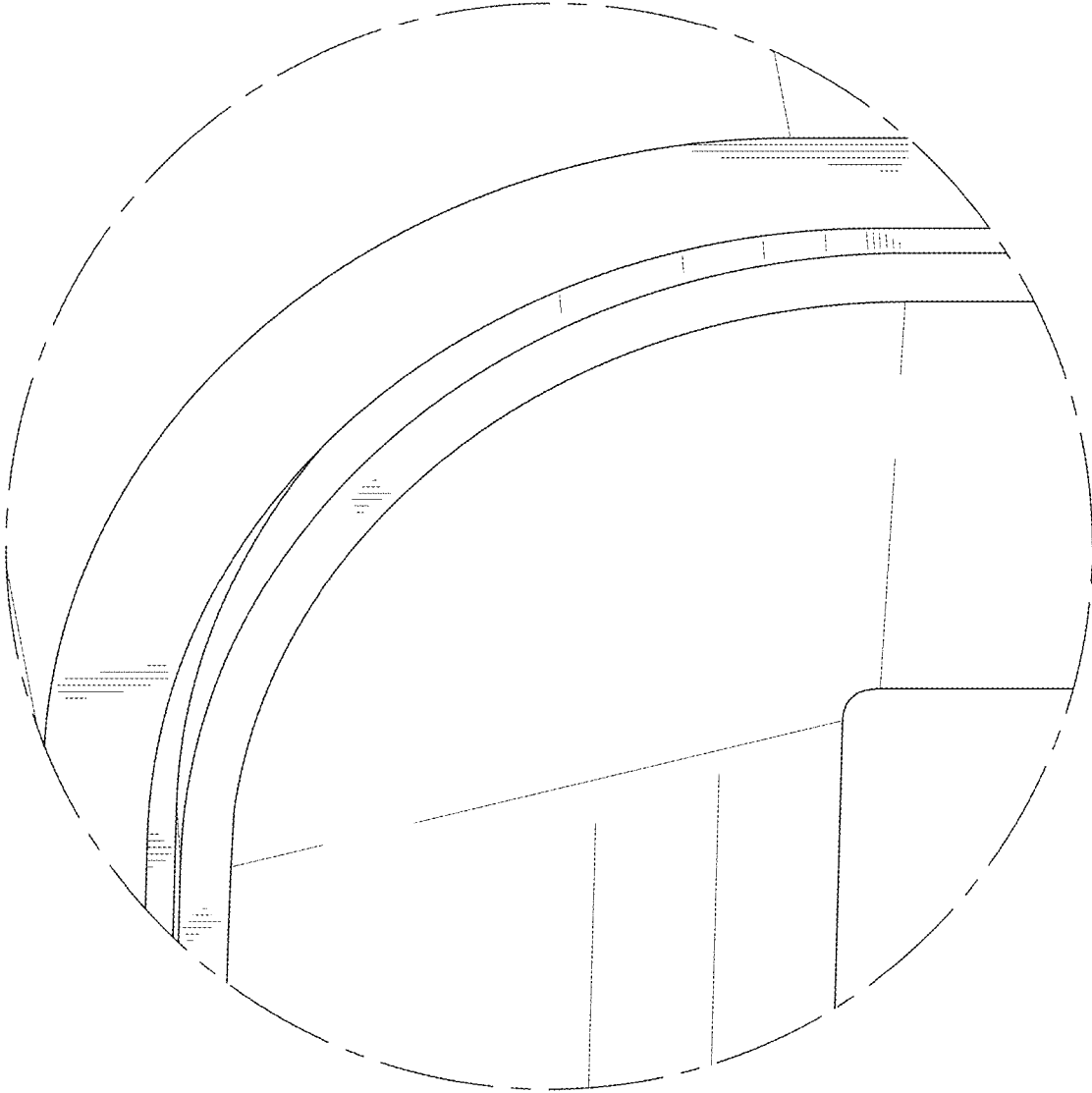


FIG. 9

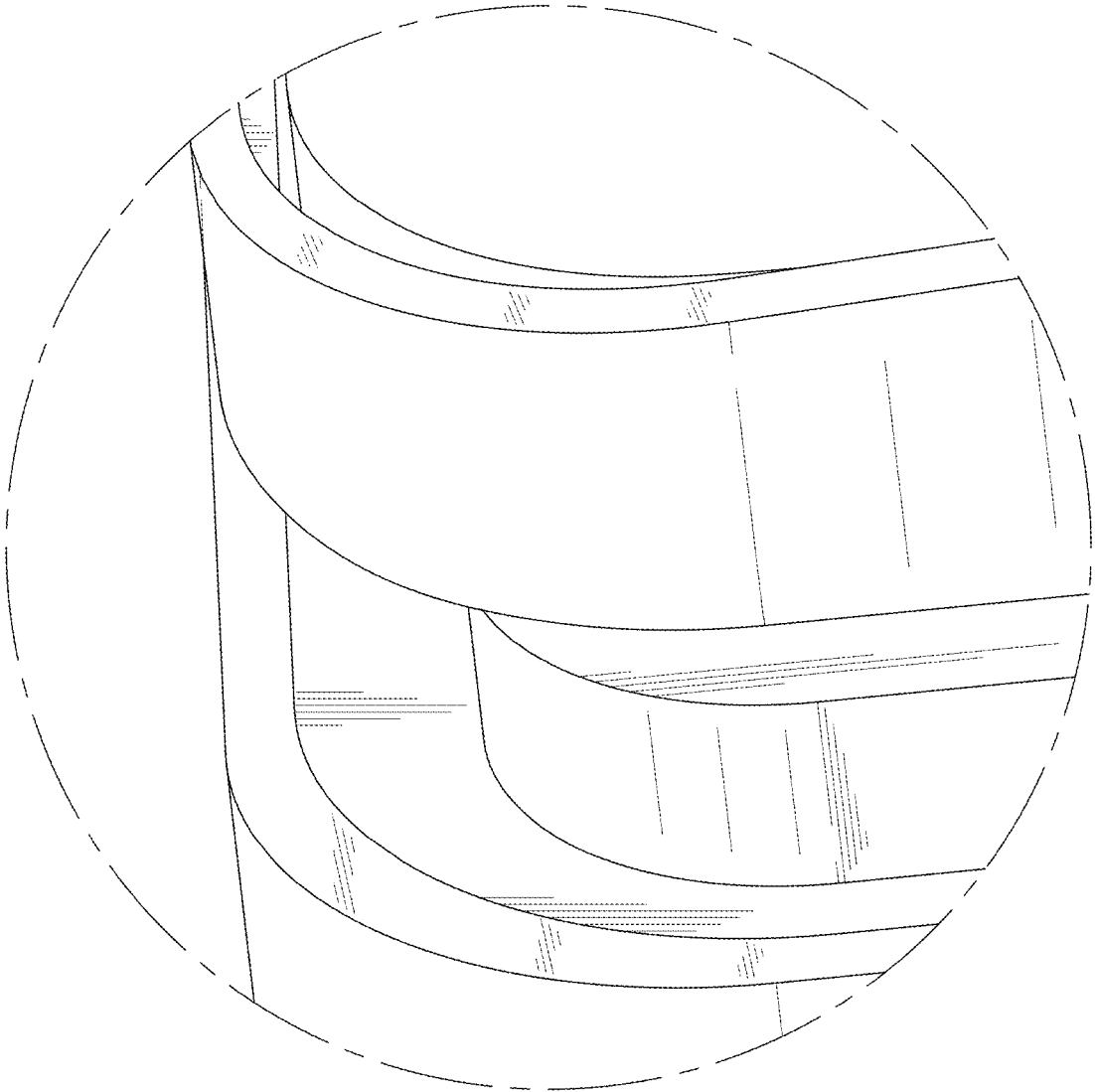


FIG. 10

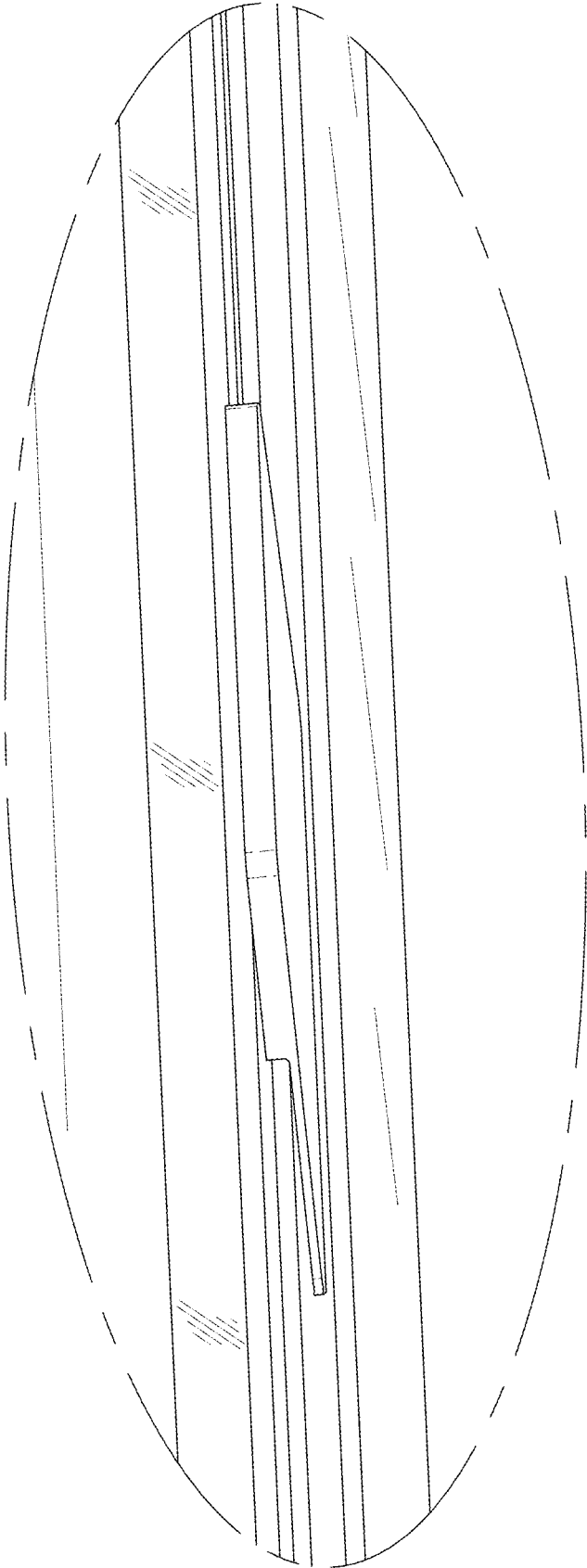


FIG. 11