

(19) World Intellectual Property Organization
International Bureau



(43) International Publication Date
20 May 2010 (20.05.2010)

(10) International Publication Number
WO 2010/056830 A2

(51) International Patent Classification:
F16D 27/01 (2006.01) *F16D 27/00* (2006.01)

Minnesota 55113 (US). **CINQ-MARS, John, Philip** [US/US]; c/o Horton, Inc., 2565 Walnut Street, Roseville, Minnesota 55113 (US).

(21) International Application Number:
PCT/US2009/064168

(74) Agents: **ZUEGE, Austen, P.** et al.; Kinney & Lange, P.A., 312 South Third Street, Minneapolis, Minnesota 55415 (US).

(22) International Filing Date:
12 November 2009 (12.11.2009)

(25) Filing Language: English

(81) Designated States (unless otherwise indicated, for every kind of national protection available): AE, AG, AL, AM, AO, AT, AU, AZ, BA, BB, BG, BH, BR, BW, BY, BZ, CA, CH, CL, CN, CO, CR, CU, CZ, DE, DK, DM, DO, DZ, EC, EE, EG, ES, FI, GB, GD, GE, GH, GM, GT, HN, HR, HU, ID, IL, IN, IS, JP, KE, KG, KM, KN, KP, KR, KZ, LA, LC, LK, LR, LS, LT, LU, LY, MA, MD, ME, MG, MK, MN, MW, MX, MY, MZ, NA, NG, NI, NO, NZ, OM, PE, PG, PH, PL, PT, RO, RS, RU, SC, SD, SE, SG, SK, SL, SM, ST, SV, SY, TJ, TM, TN, TR, TT, TZ, UA, UG, US, UZ, VC, VN, ZA, ZM, ZW.

(26) Publication Language: English

(30) Priority Data:
61/198,965 12 November 2008 (12.11.2008) US
61/210,394 18 March 2009 (18.03.2009) US

(71) Applicant (for all designated States except US): **HORTON, INC.** [US/US]; 2565 Walnut Street, Roseville, Minnesota 55113 (US).

(72) Inventors; and

(75) Inventors/Applicants (for US only): **LAWRENCE, Brian, T.** [US/US]; c/o Horton, Inc., 2565 Walnut Street, Roseville, Minnesota 55113 (US). **BIEBER, Michael, J.** [US/US]; c/o Horton, Inc., 2565 Walnut Street, Roseville,

(84) Designated States (unless otherwise indicated, for every kind of regional protection available): ARIPO (BW, GH, GM, KE, LS, MW, MZ, NA, SD, SL, SZ, TZ, UG, ZM, ZW), Eurasian (AM, AZ, BY, KG, KZ, MD, RU, TJ,

[Continued on next page]

(54) Title: TWO-SPEED CLUTCH AND RETRO-FIT KIT

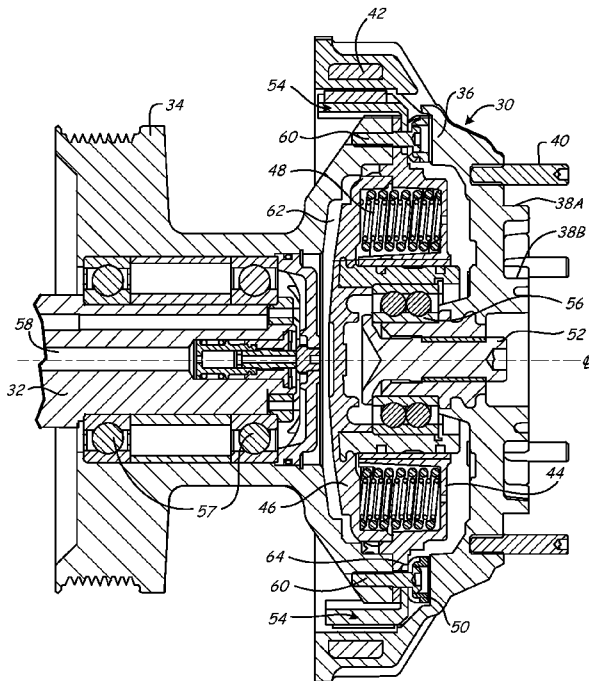


Fig. 1

(57) Abstract: A magnet holder assembly for a clutch includes a magnet holder and first and second permanent magnets. The magnet holder includes a body portion, a first groove defined in the body portion, a second groove defined in the body portion adjacent to the first groove, and a flange extending from the body portion opposite the first groove and extending in a different direction than the first groove. The flange has a connection feature for securing the magnet holder to a rotatable component of the clutch. The first permanent magnet is radially retained by the first groove in the body portion, and the first permanent magnet has a beveled edge configured to mate with the first groove. The second permanent magnet is radially retained by the second groove, and the first permanent magnet and the second permanent magnet have magnetic orientations arranged substantially opposite one another.

WO 2010/056830 A2



TM), European (AT, BE, BG, CH, CY, CZ, DE, DK, EE, ES, FI, FR, GB, GR, HR, HU, IE, IS, IT, LT, LU, LV, MC, MK, MT, NL, NO, PL, PT, RO, SE, SI, SK, SM, TR), OAPI (BF, BJ, CF, CG, CI, CM, GA, GN, GQ, GW, ML, MR, NE, SN, TD, TG).

— *of inventorship (Rule 4.17(iv))*

Published:

— *without international search report and to be republished upon receipt of that report (Rule 48.2(g))*

Declarations under Rule 4.17:

— *as to applicant's entitlement to apply for and be granted a patent (Rule 4.17(ii))*

TWO-SPEED CLUTCH AND RETRO-FIT KIT

BACKGROUND

The present invention relates generally to clutches, and more generally to two-speed
5 clutches suitable for automotive applications.

On/off friction clutches that provide only a single engagement speed are known,
such as the DriveMaster® spring-engaged fan drive available from Horton, Inc., Roseville,
MN. Many vehicles have had such on/off friction clutches installed. Two speed clutches
are also known, such as the DriveMaster® two-speed fan drive available from Horton, Inc.,
10 which utilize a spring-engaged friction clutch in conjunction with an eddy current drive that
engages the drive when the spring-engaged friction clutch is disengaged to provide a
second, slower engagement speed. A clutch retro-fit kit is known from U.S. Patent
Application Publication No. 2009/0183963.

The present invention provides an alternative two-speed clutch, as well as a kit that
15 allows a retrofit or conversion of an on/off clutch to a two-speed clutch.

SUMMARY

A magnet holder assembly for a clutch according to the present invention includes a
magnet holder and first and second permanent magnets. The magnet holder includes a body
portion, a first groove defined in the body portion, a second groove defined in the body
20 portion adjacent to the first groove, and a flange extending from the body portion opposite
the first groove and extending in a different direction than the first groove. The flange has a
connection feature for securing the magnet holder to a rotatable component of the clutch.
The first permanent magnet is radially retained by the first groove in the body portion, and
the first permanent magnet has a beveled edge configured to mate with the first groove. The
25 second permanent magnet is radially retained by the second groove, and the first permanent
magnet and the second permanent magnet have magnetic orientations arranged substantially
opposite one another.

BRIEF DESCRIPTION OF THE DRAWINGS

FIG. 1 is a cross-sectional view of a clutch according to the present invention.

30 FIG. 2 is an exploded perspective view of a portion of the clutch of FIG. 1.

FIG. 3 is a perspective view of a spring housing of the clutch.

FIG. 4 is a perspective view of one embodiment of a magnet holder assembly of the
clutch.

FIG. 5 is a plan view of the magnet holder assembly of FIG. 4.

FIG. 6 is a cross-sectional view of the magnet holder assembly, taken along line 6-6 of FIG. 5.

FIG. 7 is an exploded perspective view of a portion of another embodiment of a clutch according to the present invention.

FIG. 8 is a flow chart illustrating a method of retro-fitting a clutch according to the present invention.

While the above-identified drawing figures set forth several embodiments of the invention, other embodiments are also contemplated, as noted in the discussion. In all cases, this disclosure presents the invention by way of representation and not limitation. It should be understood that numerous other modifications and embodiments can be devised by those skilled in the art, which fall within the scope and spirit of the principles of the invention. The figures may not be drawn to scale. Like reference numbers have been used throughout the figures to denote like parts.

DETAILED DESCRIPTION

The present application claims priority to U.S. Provisional Patent Application No. 61/198,965, entitled "Two-Speed Clutch and Retro-Fit Kit" filed November 12, 2008, and U.S. Provisional Patent Application No. 61/210,394, entitled "Two-Speed Clutch and Retro-Fit Kit" filed March 18, 2009, both of which are hereby incorporated by reference in their entireties.

FIG. 1 is a cross-sectional view of an embodiment of a clutch 30 secured to a mounting bracket 32. FIG. 2 is an exploded perspective view of a portion of the clutch 30. The clutch 30 includes an input member 34 (e.g., a sheave or pulley member) and a cover 36 (also called a fan-mounted friction disk) configured relative to a centerline axis C_L . A belt or other structure (not shown) can be operatively engaged with the input member 34 to provide a rotational input force to rotate the input member 34. The cover 36 has pilots 38A and 38B, threaded fasteners 40, and an eddy-current conducting ring 42. The clutch 30 further includes a spring housing 44, a piston plate 46, one or more springs 48, friction material 50, a locking member 52, one or more magnet holder assemblies 54, and bearing sets 56 and 57. The mounting bracket 32 has an internal passageway 58 for supplying a pressurized fluid from a source (not shown) to the clutch 30. The clutch 30 permits the cover 36 to be selectively rotated in response to rotational input, such that during operation the cover 36 can rotate with the input member 34 at a selected speed.

A fan (not shown), or other component, can be mounted to the cover 36. The fan pilots 58A and 58B are arranged concentrically about the centerline axis C_L . The fan can be mounted to either fan pilot 58A or 58B, such as with a press-in fastener for the fan pilot 58A or threaded fasteners 40 for the fan pilot 58B. Other types of fasteners and fastener arrangements are possible in further embodiments. A fan spacer (not shown) can optionally be used when mounting the fan to the cover 36. The cover 36 is thus suitable to fit most common fan offsets, and can provide a neutral placement of the fan relative to surrounding cooling system components.

The input member 34 is rotatably mounted to the mounting bracket 32 by the bearing sets 37. The spring housing 44 and the friction material 50 are fixedly mounted to the input member 34 by fasteners 60, and are configured to rotate therewith. The piston plate 46 is slidably mounted and rotationally fixed relative to the spring housing 44, and is configured to rotate therewith. A fluid chamber 62 is defined at least partially between the input member 34 and the piston plate 36, and is in fluid communication with the passageway 58 through the mounting bracket 32. The springs 48 are engaged between the spring housing 44 and the piston plate 46. The cover 36 is rotatably mounted relative to the piston plate 46 by the bearing set 56. The locking member 52 releasably secures the cover 36 and the bearing set 56 to each other.

The clutch 30 in the illustrated embodiment has a two-speed configuration, with both a friction drive and an eddy current drive (also known as a hysteresis drive). When the friction drive is disengaged, the eddy current drive transmits torque to provide a rotational output at a first rotational speed, which generally is less than a rotational input speed associated with the rotational input force. When the friction drive is engaged, the frictional engagement transmits torque to provide a rotational output at a second rotational speed. Typically the second rotational speed is greater than the first rotational speed, with the second rotational speed being essentially equal to the rotational input speed. The general operation of a two-speed clutch is described in U.S. Pat. Nos. 5,613,586 and 6,838,796.

In the illustrated embodiment, the piston plate 46 is axially moveable to provide the on/off friction drive. By default, the one or more springs 44 bias the piston plate 46 away from the spring housing 44, which in turn pulls the cover 36 toward the friction material 50 such that frictional engagement between the friction material 50 and the cover 36 occurs. Frictional engagement permits torque transmission between the input member 32 and the cover 36 with the input and output speeds being approximately equal. Pressurized fluid can

be selectively delivered to the fluid chamber 62 through the passageway 58 to disengage the on/off friction drive. The pressurized fluid introduced to the fluid chamber 62 can axially displace the piston plate 46, compressing the springs 48. Fluidically-induced axial displacement of the piston plate 46 against the force of the springs 48, producing a corresponding axial displacement of the cover 36, which is moved away from the friction material 50.

The eddy current drive can allow a relatively low-speed rotational engagement between the input member 54 and the cover 56 when the friction drive is disengaged. Torque transmission through eddy current engagement is facilitated by way of the ring 42 and the one or more magnet holder assemblies 54, which are described further below. In the illustrated embodiment, two substantially equally angularly spaced magnet holder assemblies 54 are provided. However, in further embodiments any number of magnet holder assemblies 54 can be utilized. The magnet holder assemblies in the illustrated embodiment are radially opposed from the ring 42, and are separated from the ring 42 of the cover 36 by a generally radial air gap, though other configurations are possible in alternative embodiments.

In the illustrated embodiment, the ring 42 is a steel insert cast into aluminum material of the cover 36, such as in the manner disclosed in U.S. Pat. No. 5,994,810. In alternative embodiments, the ring 42 can be secured to or formed as part of the cover 36 in any suitable manner, such as being mechanically attached to the cover 36 with suitable fasteners. The ring 42 forms part of the eddy current drive to complete a magnetic flux circuit during operation. It should be noted that in alternative embodiments, the ring 42 can have different orientations and be made of any material capable of conducting eddy currents. Indeed, in some alternative embodiments the ring 42 can be omitted and the eddy current drive engaged merely by at least a portion of the material (e.g., aluminum) of the cover 36.

Those of ordinary skill in the art will recognize that the clutch 30 can include additional components not specifically mentioned herein. Moreover, those of ordinary skill in the art will recognize that in alternative embodiments the on/off friction drive of the clutch 30 can be of any conventional configuration. For example, in one embodiment the on/off friction drive of the clutch 30 can be similar to that of a DriveMaster® spring-engaged, pneumatically-actuated fan drive commercially available from Horton, Inc., Roseville, MN. In another embodiment the on/off friction drive of the clutch 30 can be

similar to that described in U.S. Pat. No. 6,092,638. In various embodiments, the actuation means for the on/off friction drive can be pneumatic, hydraulic, electromagnetic, or utilize any other suitable actuation means.

FIG. 3 is a perspective view of the spring housing 44. In the illustrated embodiment, the spring housing 44 includes a plurality of insets 64 to accommodate a corresponding number of the magnet holder assemblies 54. Each inset 64 is defined in an outer diameter (OD) portion 66 of the spring housing 44. The plurality of insets 64 can be angularly spaced from one another about the centerline axis C_L . In the illustrated embodiment two insets 64 are provided in a diametrically opposed relationship. All of the insets 64 can have the same shape, and can each include an opening 68 that extends through an entire thickness of the OD portion 66 of the spring housing 44 and an abutment portion 70 that extends only partially through part of the thickness of the OD portion 66. The opening 68 can extend to a circumferential edge of the spring housing 44. One or more retention holes 72 can be provided in the abutment portion 70. In alternative embodiments, the spring housing 44 can have the entire inset extend through the thickness of the OD portion 66 (i.e., the abutment portion 70 is omitted). In further alternative embodiments, the spring housing 44 can have insets that do not extend through the entire thickness of OD portion 66 (i.e., the openings 68 are omitted).

FIG. 4 is a perspective view of one embodiment of a magnet holder assembly 54, FIG. 5 is a plan view of the magnet holder assembly 54, and FIG. 6 is a cross-sectional view of the magnet holder assembly 54, taken along line 6-6 of FIG. 5. As shown in FIGS. 4-6, the magnet holder assembly 54 includes a magnet holder 74 and first and second magnets 76 and 78, respectively. The magnet holder 74 includes a body portion 80 and a flange 82. The body portion 80 can extend in a generally axial direction, and can have an arcuate shape that follows the curvature of the OD portion 66 of the spring housing 44. In the illustrated embodiment the body portion 80 is relatively compact in size, and, for instance, is not an annular ring that circumscribes the centerline axis C_L , which helps to reduce weight of the clutch 30 and reduce the amount of material required to make the magnet holder 74. The flange 82 can extend from a front region of the body portion 80 in a generally radial direction. A front edge 83 of the magnet holder 74 can be beveled to allow close spacing of the cover 36.

In the illustrated embodiment, the flange 82 includes a first portion 84 and a second portion 86. The first portion 84 is generally rectangular in shape and the second portion 86

is generally trapezoidal in shape and arranged substantially parallel to the first portion 84. The insets 64 in the spring housing 44 can have a shape that generally corresponds to that of the flange 82 of the magnet holder 74, with the shape of the abutment portion 70 corresponding to that of the first portion 84 and the shape of the opening 68 corresponding to that of the second portion 86. A pair of retention features 88 extend from the first portion 84 of the flange 80 and are configured to engage the retention holes 72 in the spring housing 44, which can help secure the magnet holder 74 to the spring housing 44 in conjunction with the fastener 60 positioned through an opening 90 in the flange 82 (see FIG. 1). In the illustrated embodiment, the retention features 88 are each substantially cylindrical pin-like members that extend rearward from the first portion 84 of the flange 82 of the magnet holder 74 at opposite sides of the second portion 86. When the magnet holder assembly 54 is secured to the spring housing 44, the retention features 88 each extend at least partially into the corresponding retention holes 72 to interlock those components and provide radial retention. The retention features 88 and retention holes 72 provide redundant radial retention of the magnet holder 74 relative to the spring housing 44 as a fail-safe mechanism in the event of a failure of the fastener 60. The inset 64 of the spring housing 44 can also provide angular and radial locating features for installation of the magnet holder assemblies 54, which can facilitate assembly of the clutch 30, or likewise facilitate retro-fit installation of a two speed kit to the clutch 30.

As shown in FIGS. 4-6, the body portion 80 of the magnet holder 74 defines first and second retention grooves 92 and 94, respectively, that allow first and second magnets 76 and 78 (or any other mating components) to be engaged and radially restrained therein when subject to a centrifugal force. The grooves 92 and 94 can each have a generally dovetailed or beveled shape that mechanically obstructs radial movement of the magnets 76 and 78 while still leaving radially outward portions of the magnets 76 and 78 exposed. Sidewalls 96 of the grooves 92 and 94 can be arranged at about 30° angles with respect to radii projected from the centerline axis C_L , or at other angles as desired. The grooves 92 and 94 can extend between front and rear sides of the body portion 80 of the magnet holder 74 in a generally axial direction. As illustrated, the grooves 92 and 94 are substantially open at both ends, but in alternative embodiments one or both of the grooves 92 and 94 could have one end closed by material of the body portion 80.

An adhesive 97 can be used to secure each of the magnets 76 and 78 to the body portion 80 of the magnet holder 74, which can help limit movement of the magnets 76 and

78 within the grooves 92 and 94, respectively. The adhesive 97 can be Loctite® 331™ structural adhesive (available from the Henkel Corporation). Stops 98A and 98B can be provided that extend into the first and second grooves 92 and 94, respectively. In the illustrated embodiment, both stops 98 and 100 are positioned at or near a rear side of the magnet holder 74, and acts to limit axial movement of the first and second magnets 76 and 78 within the respective first and second grooves 92 and 94. Furthermore, the stop 98 is located at an outer sidewall 96 of the first groove 92 (i.e., a right hand sidewall 96 of the first groove 92 in FIG. 5), and the stop 100 is located at an opposite outer sidewall 96 of the second groove 94 (i.e., a left hand sidewall 96 of the second groove 94 in FIG. 5). The stops 98 and 100 can facilitate assembly, by simplifying alignment of the magnets 76 and 78 relative to the magnet holder 74. The stops 98 and 100 can be formed, for instance, by mechanically deflecting corners of the sidewalls 96 of the grooves 93 and 94, or by any other suitable manner.

The magnets 76 and 78 can each be made of a rare earth permanent magnet material, such as a magnetized neodymium-iron-boron material. Furthermore, the first and second magnets 76 and 78 can each optionally have a locating feature 102 and 104, respectively, configured to cooperate with the stops 98 and 100 to help ensure desired magnetic orientation (i.e, North/South pole orientation) of the magnets 76 and 78. In the illustrated embodiment, the locating features 102 and 104 are pairs of notches located at diagonally opposed corners of each of the magnets 76 and 78, respectively, and have shapes that correspond to that of the stops 98 and 100, respectively. In alternative embodiments, each of the magnets 76 and 78 can include only a single locating feature 102 and 104. The locating features 102 and 104 can be positioned at opposite sides of the magnets 76 and 78, for example, the locating features 102 are positioned at right-rear and left-forward corners of the magnet 76 and the locating features 124 are positioned at left-rear and right-forward corners of the magnet 78, as shown in FIG. 5. In this way, the locating features 102 and 104 can be associated with each of the magnets 76 and 78 to provide a physical and visual identifier of the polarity of the magnets 76 and 78, and to help ensure that the magnets 76 and 78 are installed in the respective grooves 92 and 94 with desired magnetic orientations. In the illustrated embodiment, as shown in FIG. 6, the first magnet 76 has a North pole facing radially outward and the second magnet 78 has a South pole facing radially outward, such that the magnetic orientations (i.e., polarities) of the first and second magnets 76 and 78 are substantially opposite one another, which facilitates eddy current generation between

the magnet holder assembly 54 and the ring 42 during operation of the eddy current drive of the clutch 30.

The first and second magnets 76 and 78 can each be configured to have a cross-sectional profile that generally corresponds to the shape of the first and second grooves 92 and 94, respectively. In the illustrated embodiment, the first and second magnets 76 and 78 each have generally curved, trapezoidal cross-sectional profiles. More specifically, the magnets 76 and 78 can each have arcuate radially inner and radially outer surfaces 106 and 108, respectively, and beveled side surfaces 110 and 112, which can define an included angle of about 60° in one embodiment (i.e., each side surface 110 and 112 is arranged at about 30° with respect to radii projected from the centerline axis C_L). It should be noted that the particular configuration of the magnets 76 and 78 can vary as desired in further embodiments. The side surfaces 110 and 112 of the magnets 76 and 78 are configured to cooperatively engage and physically contact the sidewalls 96 of the grooves.

Magnets used with eddy current drives are frequently made of relatively brittle materials, which may be prone to undesirable fracturing or other damage during assembly and use. Mechanical fasteners (e.g., screws, bolts) that exert clamp-like forces on magnets may undesirably cause damage to such magnets. In the illustrated embodiment, neither the grooves 92 and 94 nor the adhesive 97 exerts a positive clamping force on the magnets 76 and 78, but the assemblies 54 reduce or eliminate the need for a mechanical fastener for retention of the magnets 76 and 78. In this way the magnet holder assemblies 54 can help to reduce or eliminate stress concentrations that would otherwise occur due to a clamp-like load exerted on the magnets 76 and 78 by fasteners. Moreover, the grooves 92 and 94 help reduce a risk of the magnets 76 and 78 dislodging due to failure of the adhesive 97 during operation. Dislodged magnets can impact other clutch components or become wedges between rotating parts, presenting an elevated risk of damage to the rest of the clutch. Moreover, loss of a magnet decreases eddy current drive operation. Redundant retention mechanisms according to the present invention help reduce such risks.

The magnet holder assemblies 54 can each be installed axially with respect to the centerline axis C_L of the clutch 30. In preferred embodiments, the magnet holder assemblies 54 can each be installed from a front area of the clutch 30, allowing installation of the magnet holder assemblies 54 upon removal of, or prior to installation of, the cover 36, but without requiring that other components of the clutch 30, such as the piston plate 46, be removed or uninstalled.

FIG. 7 is an exploded perspective view of a portion of another embodiment of a clutch 30'. The clutch 30' is generally similar to the clutch 30 described above, but magnet holder assemblies 54' and a spring housing 44' have alternative configurations. In the embodiment illustrated in FIG. 7, a flange 82' of a magnet holder 74' and an inset 64' in the OD portion 66 of the spring housing 44' have corresponding dovetail shapes, which help to radially secure the magnet holder 74' to the spring housing 44' even in the event the fastener 60 engaged through the openings 90' in the flange 82 and an opening 114' in an abutment portion 70' of the inset 64' fails. In that way, the fastener 60 and the corresponding shapes of the flange 82' and the inset 64' provide redundant engagement mechanisms as a fail-safe measure. In alternative embodiments, the flange 82' and inset 64' can have other, non-dovetail configurations. The inset 64' of the spring housing 44' can also provide angular and radial locating features for installation of the magnet holder assemblies 74', which can facilitate assembly of the clutch 30', or likewise facilitate retrofit installation of a two speed kit to the clutch 30'.

It will be recognized that the clutch 30 or 30' can be provided as described herein as a new clutch, fully assembled and ready for installation in a desired location, such as in a vehicle. Alternatively, a two-speed kit can be provided to upgrade or retro-fit an existing single-speed on/off friction clutch to the two-speed clutch 30 or 30'. For example, an existing DriveMaster® spring-engaged fan drive providing only on/off frictional engagement can be upgraded with a two-speed kit that adds an eddy current drive. Such a kit can include the cover 36, the spring housing 44 or 44', and the magnet holder assemblies 54 or 54' described above, as well as additional components as desired. In general, installation of the two-speed kit can involve replacement of an existing cover with the cover 36, though it may be possible in some embodiments to continue use of an existing cover or use a new cover without the ring 42 as described above. Additionally, an existing spring housing can be replaced with the spring housing 44 or 44' described above, with the one or more magnet holder assemblies 54 or 54' installed on the spring housing 44 or 44'. Such a two-speed kit allows a single-speed on/off clutch to be converted to a two-speed configuration without incurring any additional length penalty, allowing the clutch 50 to acquire an additional engagement speed while remaining relatively compact. Compact clutch sizes can be important given space constraints of many applications, such as installation within a vehicle engine compartment.

FIG. 8 is a flow chart illustrating a method of retro-fitting an existing single-speed on/off clutch with an eddy current drive add-on kit to produce a two-speed clutch. A kit is provided for use with an existing clutch (step 200). An existing output member (e.g., a fan mounted friction disk) of the clutch is removed (step 202), which can include releasing a locking member. An existing spring housing is also removed from the clutch (step 204), which can include removing fasteners. A piston member and other components of the clutch can generally remain in place as the output member and the spring housing are removed, as desired. Next, a new spring housing having inset features is attached to the clutch (step 206) and all magnet holder assemblies are attached to the new spring housing at the corresponding insets (step 208). Steps 206 and 208 can be performed in any order, as desired. Finally, a new output member is attached to the clutch (step 210). As noted above, in alternative embodiments the existing output member can be re-attached to the clutch. It should also be noted that components referred to herein as “new” can include previously unused, refurbished or salvaged parts.

It will be recognized that the present invention provided numerous advantages and benefits. For example, the addition of a two-speed kit to an existing single-speed on/off friction clutch according to the present invention can produce a zero overall length penalty, that is, the overall axial dimension of the clutch can remain essentially constant upon the installation of the two-speed kit. The two-speed kit thereby provides convenient means of utilizing existing on/off friction clutch designs with added versatility of the two-speed kit design improvements. This also allows users to upgrade existing clutches at relatively low costs, because existing on/off friction clutch components and an existing fan can be re-used. Moreover, the magnet holders of the present invention utilize adhesive and special part geometries to help radially retain the permanent magnets without undesirable clamp loads, and attachments of various components are made with redundant retention mechanisms to help provide fail-safe operation. In addition, the present invention provides for relatively easy assembly or relatively easy retro-fitting of an existing clutch.

While the invention has been described with reference to an exemplary embodiment(s), it will be understood by those skilled in the art that various changes may be made and equivalents may be substituted for elements thereof without departing from the scope of the invention. In addition, many modifications may be made to adapt a particular situation or material to the teachings of the invention without departing from the essential scope thereof. Therefore, it is intended that the invention not be limited to the particular

embodiment(s) disclosed, but that the invention will include all embodiments falling within the scope of the appended claims. For example, additional clutch drives can be included for providing more than two engagement speeds. Moreover, magnet holder assemblies of the present invention can include more or less than two magnets, and any number of magnet
5 holder assemblies can be provided.

CLAIMS:

1. A magnet holder assembly for an eddy current drive of a clutch, the assembly comprising:

magnet holder comprising:

- 5 a body portion;
a first groove defined in the body portion;
a second groove defined in the body portion adjacent to the first groove; and
a flange extending from the body portion opposite the first groove and
extending in a different direction than the first groove, wherein the
10 flange has a connection feature for securing the magnet holder to a
rotatable component of the clutch;
- a first permanent magnet radially retained by the first groove in the body portion,
wherein the first permanent magnet has a beveled edge configured to mate
with the first groove; and
- 15 a second permanent magnet radially retained by the second groove, wherein the first
permanent magnet and the second permanent magnet have magnetic
orientations arranged substantially opposite one another.
2. The assembly of claim 1, wherein the body portion of the magnet holder has a
curved configuration.
- 20 3. The assembly of claim 1, wherein the flange comprises:
a first portion having a generally rectangular perimeter shape, the first portion
extending from an edge of the body portion; and
a second portion having a generally trapezoidal perimeter shape, wherein the first
portion of the flange is arranged substantially parallel to the second portion
25 of the flange.
4. The assembly of claim 1, wherein the first groove comprises a dovetail shaped
groove in the body portion of the magnet holder.
5. The assembly of claim 1 and further comprising:
a first retention feature on the flange for radially retaining the magnet holder
30 assembly relative to the clutch.
6. The assembly of claim 5, wherein the first retention feature is a substantially
cylindrical pin-like member extending from the flange.
7. The assembly of claim 5 and further comprising:

a second retention feature on the flange, wherein the second retention feature is spaced from the first retention feature.

8. The assembly of claim 1 and further comprising:

5 a stop located on the body portion of the magnet holder, wherein the first permanent magnet includes a locating feature configured for cooperative engagement with the stop, and wherein the locating feature is positioned relative to the magnetic poles of the first permanent magnet such that cooperative engagement of the locating feature and the stop ensures that the first permanent magnet has a first magnetic orientation relative to the magnet holder.

9. The assembly of claim 1, wherein the first and second grooves in the body portion of the magnet holder each extend in a substantially axial direction.

10. The assembly of claim 1, wherein an adhesive secures the first permanent magnet within the first groove in the magnet holder.

11. A clutch apparatus comprising:

a rotatable input member;

a spring housing rotatably fixed to the input member;

15 a cover rotatably mounted relative to the input and axially moveable relative to the input, wherein at least a portion of the cover comprises a material capable of conducting eddy currents;

20 a first magnet holder removably attached to the spring housing and rotatably fixed thereto, the first magnet holder defining a first radial retention groove;

25 a first permanent magnet carried by the first radial retention groove in the magnet holder, wherein the first radial retention groove restricts movement of the first permanent magnet in a radial direction while providing a magnet access passage in another direction through which the first permanent magnet can pass, and wherein the first permanent magnet is positioned in an opposing relationship relative to the material of the cover capable of conducting eddy currents; and

30 an adhesive securing the first permanent magnet within the first radial retention groove of the first magnet holder for limiting movement through the magnet access passage,

wherein axial movement of the cover selectively engages and disengages a frictional torque coupling between cover and the input member, and

wherein in a frictionally disengaged axial position the cover is configured to rotate with the input by way of an eddy current coupling at a speed different from that provided by the frictional torque coupling.

5

12. The clutch apparatus of claim 11, the first magnet holder comprising:

a body portion, wherein the first radial retention groove is defined in the body portion, and wherein the body portion of the first magnet holder has a curved configuration; and

10

a flange extending from the body portion opposite the first radial retention groove, wherein the flange has a connection feature for securing the first magnet holder to the spring housing.

13. The clutch apparatus of claim 12, wherein the flange comprises:

a first portion having a generally rectangular perimeter shape, the first portion extending from an edge of the body portion; and

15

a second portion having a generally trapezoidal perimeter shape, wherein the first portion of the flange is arranged substantially parallel to the second portion of the flange.

14. The clutch apparatus of claim 13, the spring housing further comprising:

20

a first inset, wherein the flange of the first magnet holder engages the first inset to attach the first magnet holder to the spring housing.

15. The clutch apparatus of claim 14, wherein the first inset is located at an outer diameter portion of the spring housing and has a first portion and a second portion, wherein the second portion of the inset extends between opposite faces of the spring housing, the second portion of the inset having a shape corresponding to that of the second portion of the flange of the first magnet holder, and wherein the first portion of the inset is located adjacent to the second portion of the inset and is configured as a recess at one face of the spring housing, the first portion of the inset having a shape corresponding to that of the first portion of the flange of the first magnet holder.

25

30 16. The clutch apparatus of claim 11 and further comprising:

a piston axially moveable with respect to the spring housing as a function of fluid pressure in an adjacent fluid chamber, wherein the cover is secured to the

piston to axially move therewith, and wherein the spring is operatively engaged between the spring housing and the piston.

17. The clutch apparatus of claim 11, wherein the first radial retention groove comprises a dovetail shaped groove in the body portion of the first magnet holder, and wherein the first permanent magnet has a shape that corresponds to that of the first radial retention groove.

18. The clutch apparatus of claim 1 and further comprising:

a first retention feature on one of the spring housing and the flange of the first magnet holder, wherein the first retention feature is a pin member extending from the flange; and

an opening on the other of the spring housing and the flange of the first magnet holder, wherein the first retention feature extends at least partially into the opening for radially retaining the first magnet holder assembly relative to the spring housing.

19. The clutch apparatus of claim 18 and further comprising:

a fastener engaged between the flange of the first magnet holder and the spring housing.

20. The clutch apparatus of claim 11 and further comprising:

a stop located on the body portion of the magnet holder, wherein the first permanent magnet includes a locating feature configured for cooperative engagement with the stop when the first permanent magnet is engaged with the first groove only when the first permanent magnet is arranged with a first magnetic orientation.

21. The clutch apparatus of claim 11 and further comprising:

a second radial retention groove defined in the body portion of the first magnet holder adjacent to the first radial retention groove; and

a second permanent magnet engaged with the second radial retention groove, wherein the first permanent magnet and the second permanent magnet have magnetic orientations arranged substantially opposite one another.

22. The clutch apparatus of claim 11 and further comprising:

a second magnet holder removably attached to the spring housing and rotatably fixed thereto, wherein the second magnet holder is circumferentially spaced from the first magnet holder, and wherein the second magnet holder carries one or more additional permanent magnets.

23. The clutch apparatus of claim 11, wherein the portion of the cover that comprises the material capable of conducting eddy currents is arranged radially outward from the first permanent magnet such that the cover at least partially surrounds the first magnet holder.

24. The clutch apparatus of claim 11, wherein the first radial retention groove of the first magnet holder extends in a generally axial direction.

25. A two-speed retro-fit kit for use with an on/off friction clutch that includes a rotatable input member, an existing spring housing rotatably fixed to the input member, a spring for biasing the spring housing, and an existing cover rotatably mounted relative to the input and axially moveable relative to the input, the kit comprising:

a replacement spring housing for replacing the existing spring housing of the clutch, wherein the replacement spring housing includes a plurality of insets circumferentially spaced from one another;

a plurality of magnet holder assemblies each comprising:

a body portion;

a first radial retention groove defined in the body portion;

a second radial retention groove defined in the body portion adjacent to the first radial retention groove;

a flange extending from the body portion, wherein the flange has a connection feature for securing the first magnet holder to the replacement spring housing at the first inset;

a first permanent magnet engaged with the first radial retention groove in the body portion; and

a second permanent magnet engaged with the second radial retention groove in the body portion, wherein magnetic orientations of the first permanent magnet and the second permanent magnet are arranged to be opposite one another; and

a replacement cover with at least a portion comprising a material that conducts eddy currents positioned near the first and second permanent magnets to transmit torque between the spring housing and the cover through an eddy current rotational engagement whenever the clutch is frictionally disengaged.

26. A method for converting an on/off clutch to a two-speed clutch, the method comprising:

removing an existing output member;

removing an existing spring housing;
attaching a new spring housing having an inset to an existing input member;
attaching a first magnet holder to the new spring housing, wherein the first magnet
holder carries a first permanent magnet; and

5 installing a new output member so as to be rotatable and axially moveable relative to
the new spring housing, wherein the new output member includes a first
portion positioned adjacent to the first permanent magnet, and wherein the
first portion of the output member comprises the material capable of
conducting eddy currents.

10 27. The method of claim 26, wherein an existing piston plate remains in place, and is not
removed.

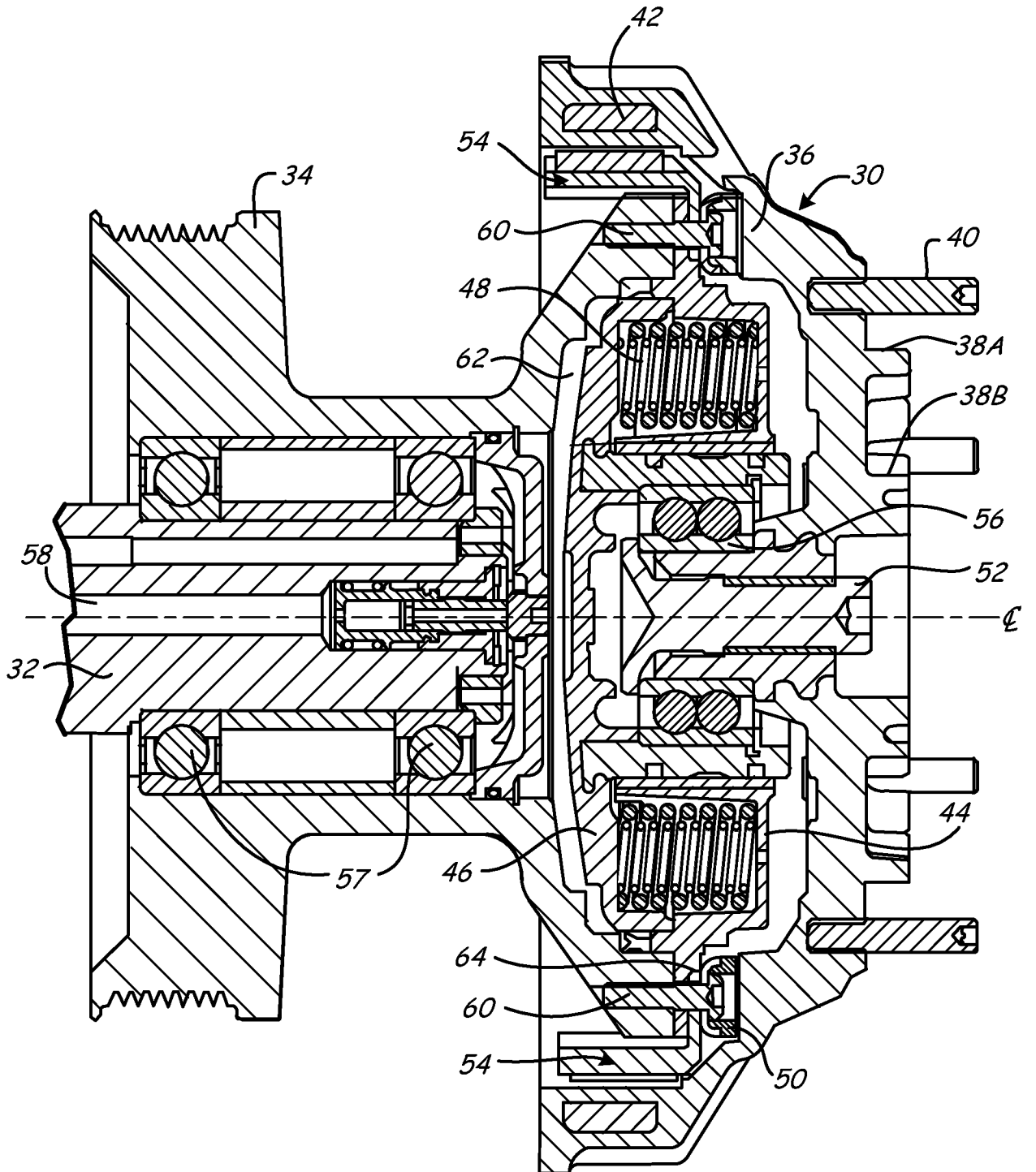


Fig. 1

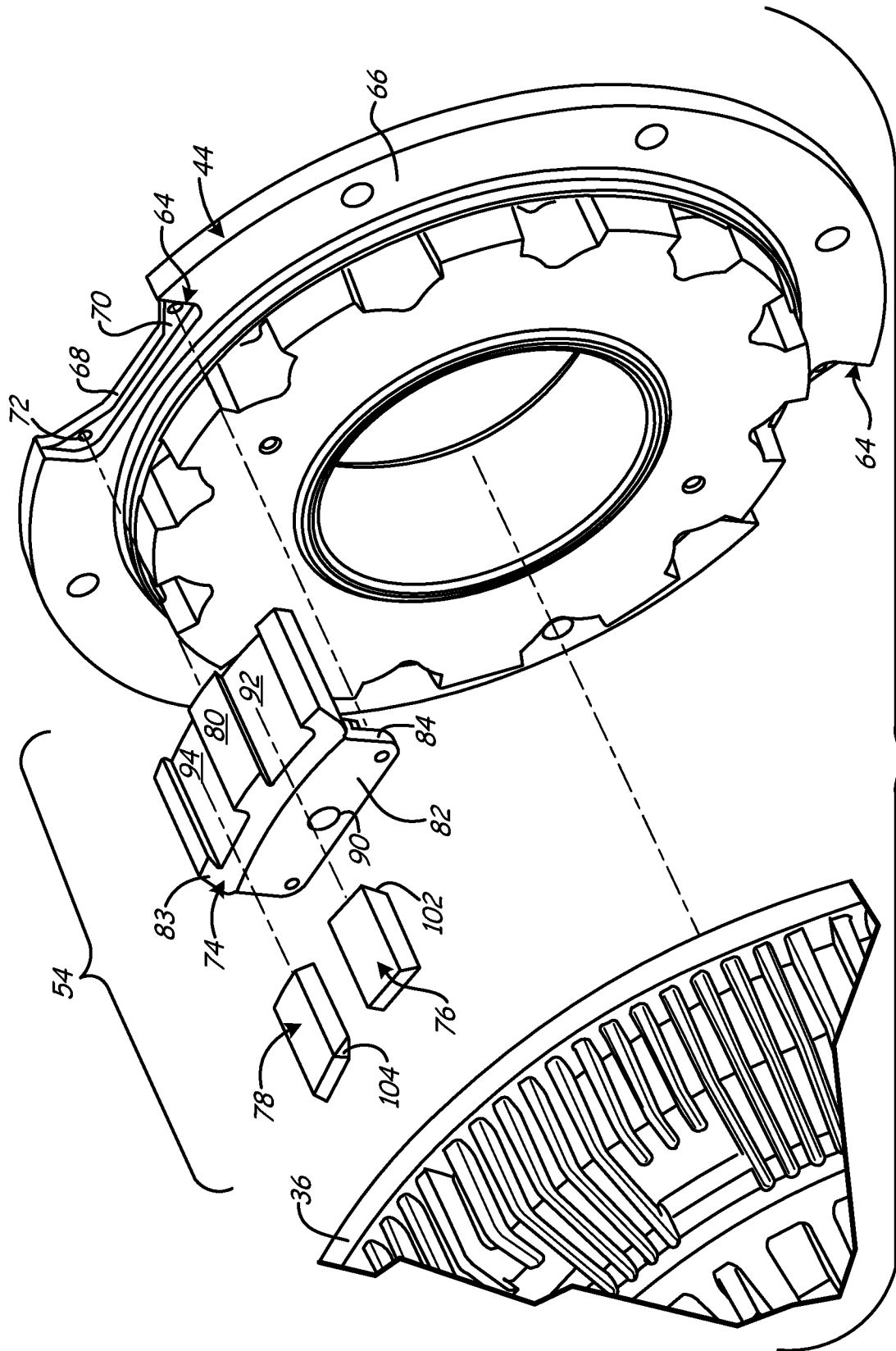


Fig. 2

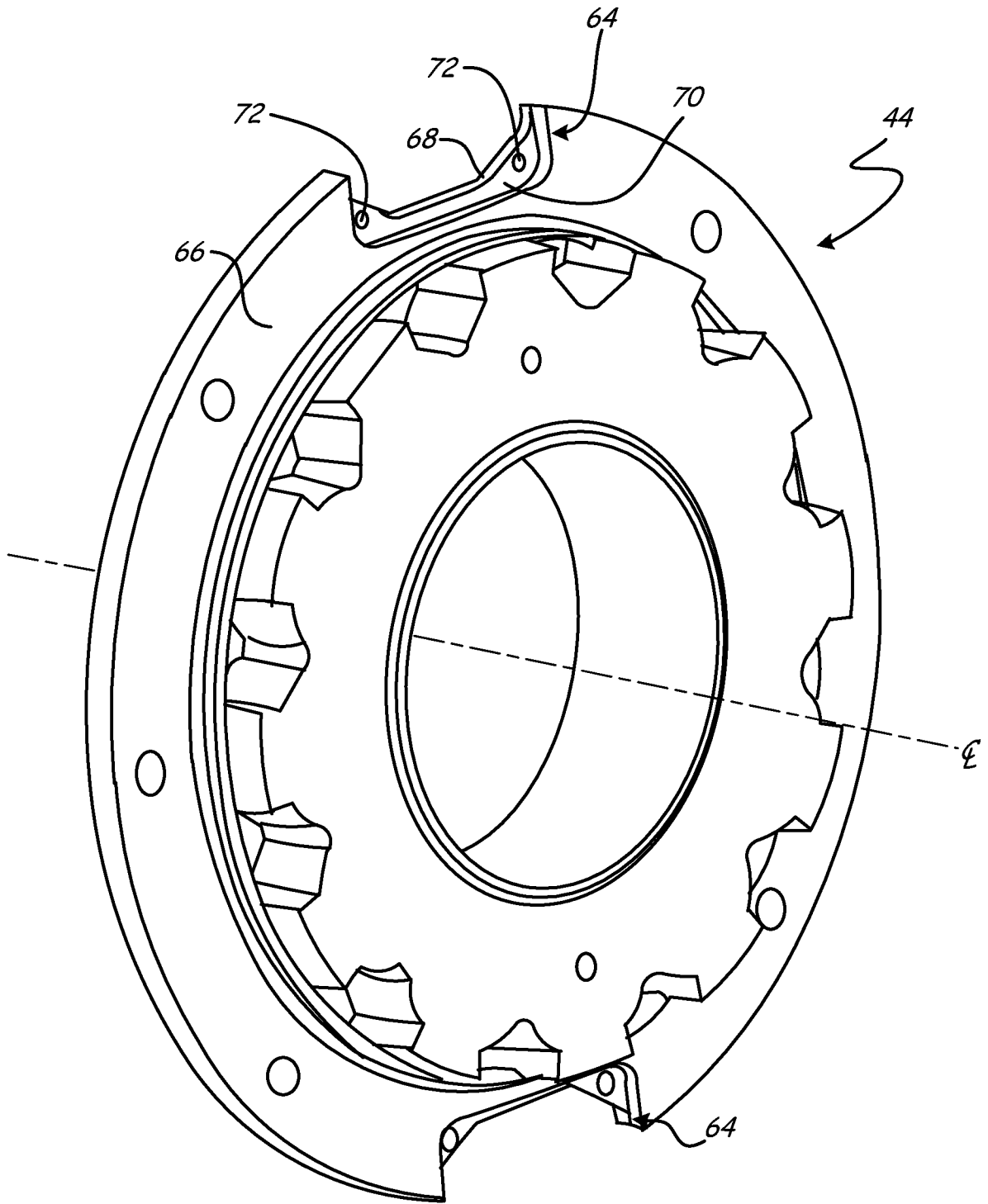


Fig. 3

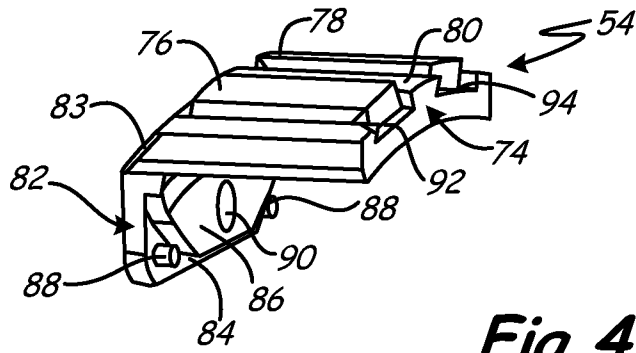


Fig. 4

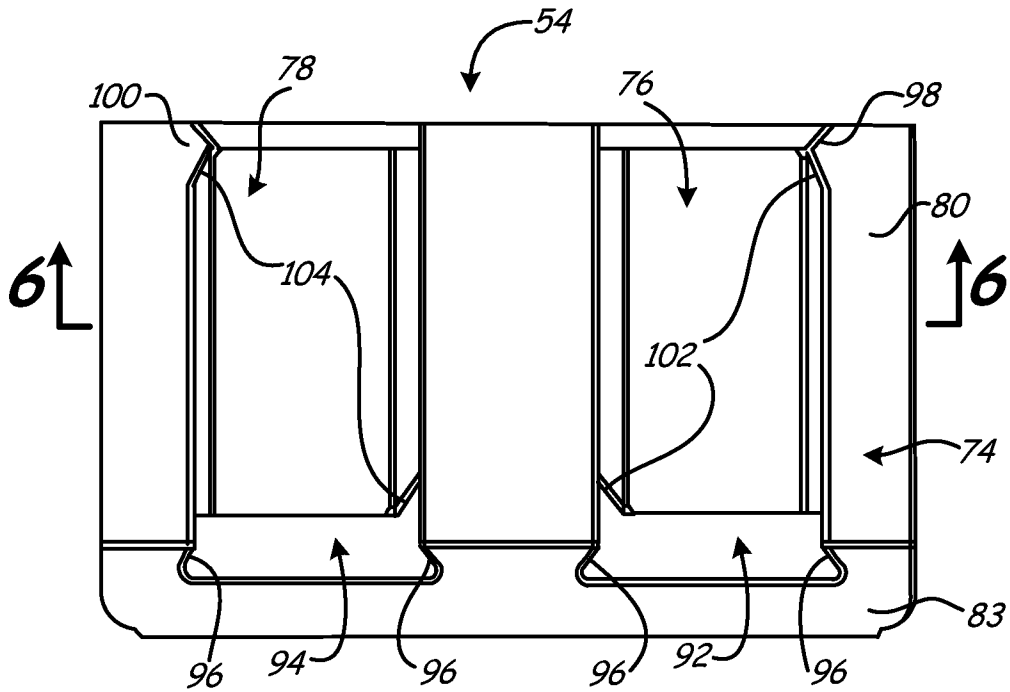


Fig. 5

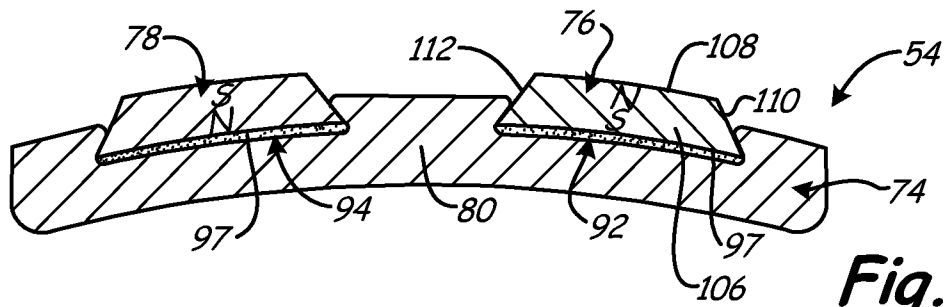


Fig. 6

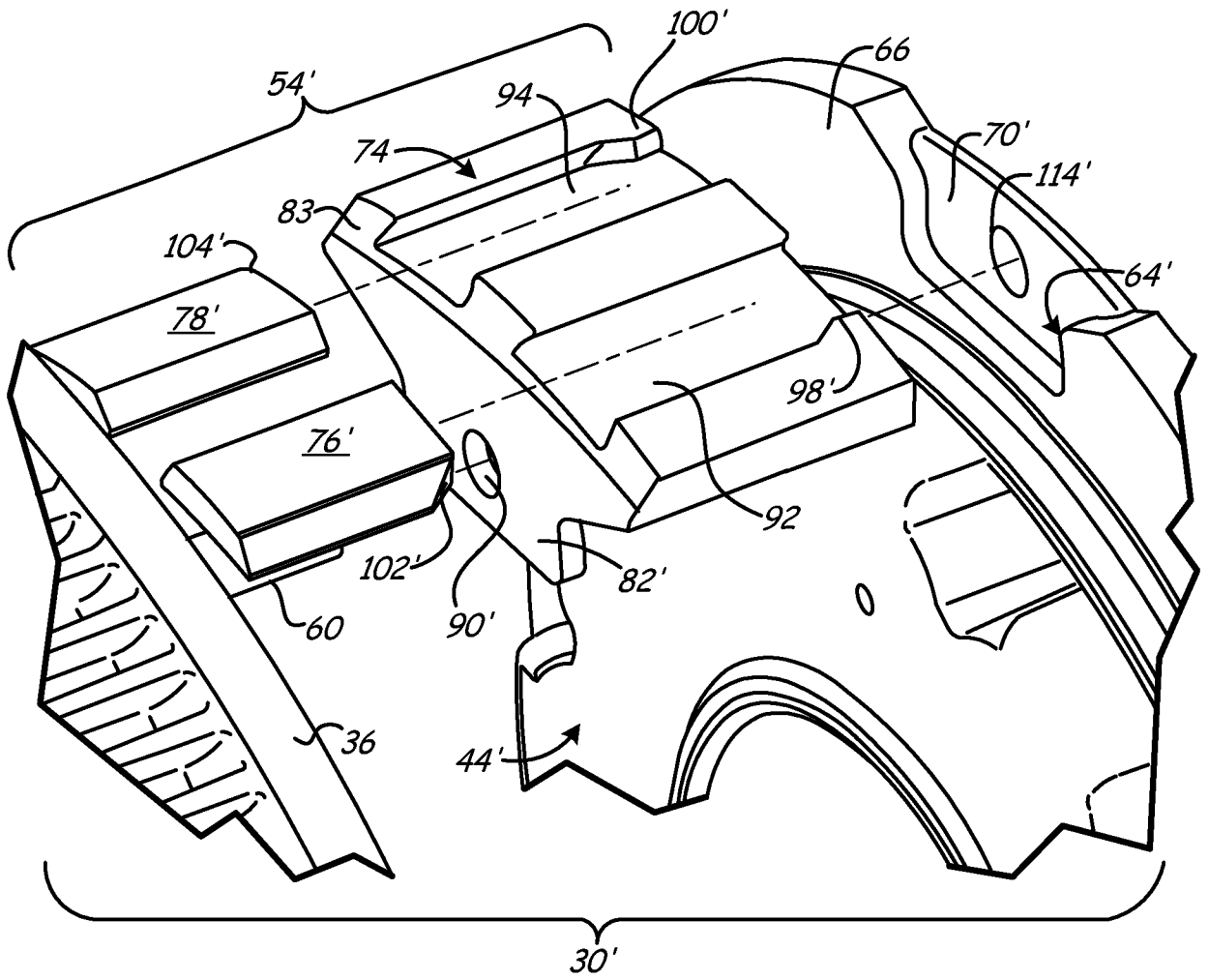


Fig. 7

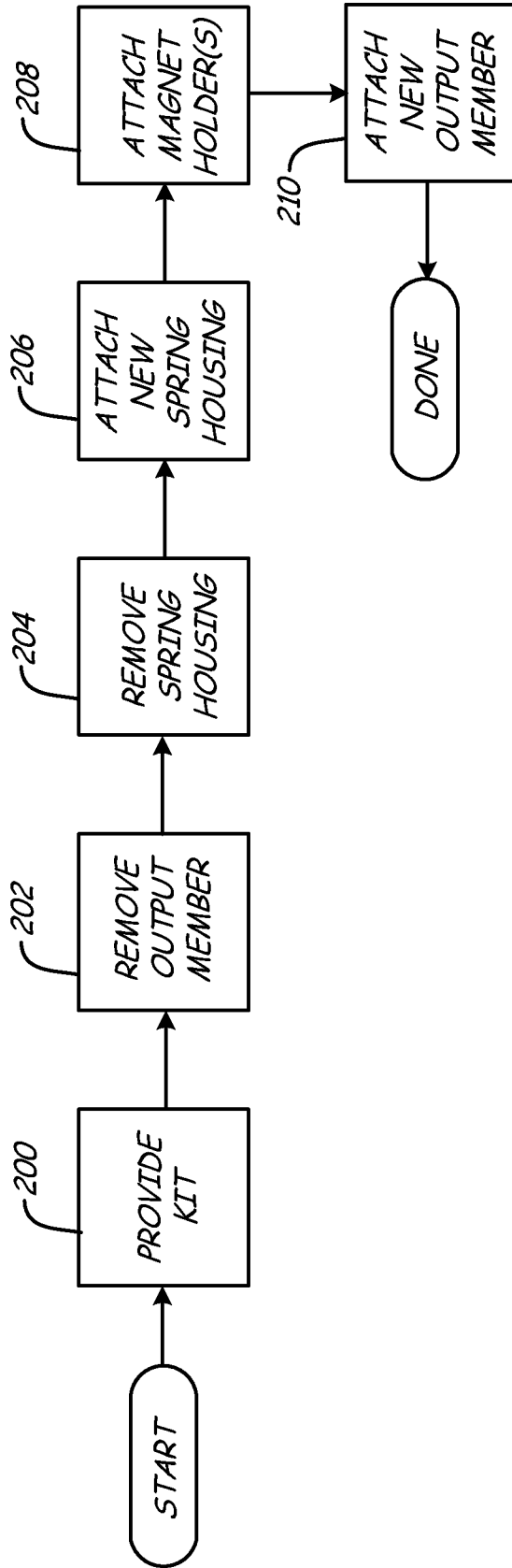


Fig. 8