



US00D608416S

(12) **United States Design Patent**
Schmidt

(10) **Patent No.:** **US D608,416 S**

(45) **Date of Patent:** **** Jan. 19, 2010**

(54) **VALVE**

D594,929 S * 6/2009 Takakuwa et al. D23/233
D594,933 S * 6/2009 Miyazoe D23/233

(75) Inventor: **Karoline Schmidt**, Esslingen (DE)

FOREIGN PATENT DOCUMENTS

(73) Assignee: **Festo AG & Co. KG**, Esslingen (DE)

EP 1 580 476 A1 9/2005

(**) Term: **14 Years**

* cited by examiner

(21) Appl. No.: **29/312,114**

Primary Examiner—Cathron C. Brooks

Assistant Examiner—Maurice Stevens

(22) Filed: **Sep. 30, 2008**

(74) *Attorney, Agent, or Firm*—Hoffmann & Baron, LLP

(30) **Foreign Application Priority Data**

(57) **CLAIM**

Apr. 1, 2008 (EM) 000907100-0004

The ornamental design for a valve, as shown and described.

(51) **LOC (9) Cl.** **23-01**

DESCRIPTION

(52) **U.S. Cl.** **D23/233**

FIG. 1 is a top perspective view of a valve showing my new design;

(58) **Field of Classification Search** D23/233–237,
D23/244–249; D15/7, 199; 137/269, 271,
137/343, 414, 432, 436, 554, 557, 560, 625.64,
137/882, 884; 251/331, 219, 130, 15, 129.04

FIG. 2 is a top plan view thereof;

FIG. 3 is a bottom plan view thereof;

FIG. 4 is a front view thereof;

FIG. 5 is a rear view thereof;

FIG. 6 is a right view thereof; and,

FIG. 7 is a left view thereof.

See application file for complete search history.

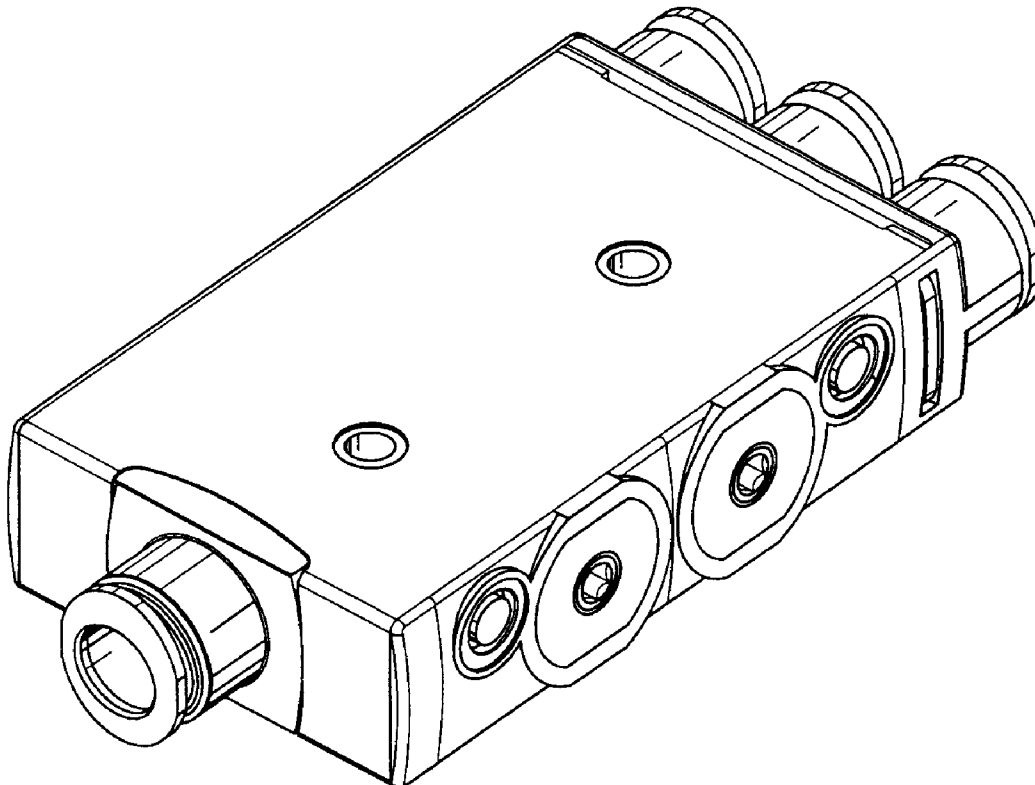
The broken lines represent unclaimed portions of the valve.

(56) **References Cited**

U.S. PATENT DOCUMENTS

D251,677 S * 4/1979 Johnson D23/236
D314,610 S * 2/1991 Chen D23/236
D408,501 S * 4/1999 Johnson D23/236
D578,549 S * 10/2008 Nimberger D15/5

1 Claim, 4 Drawing Sheets



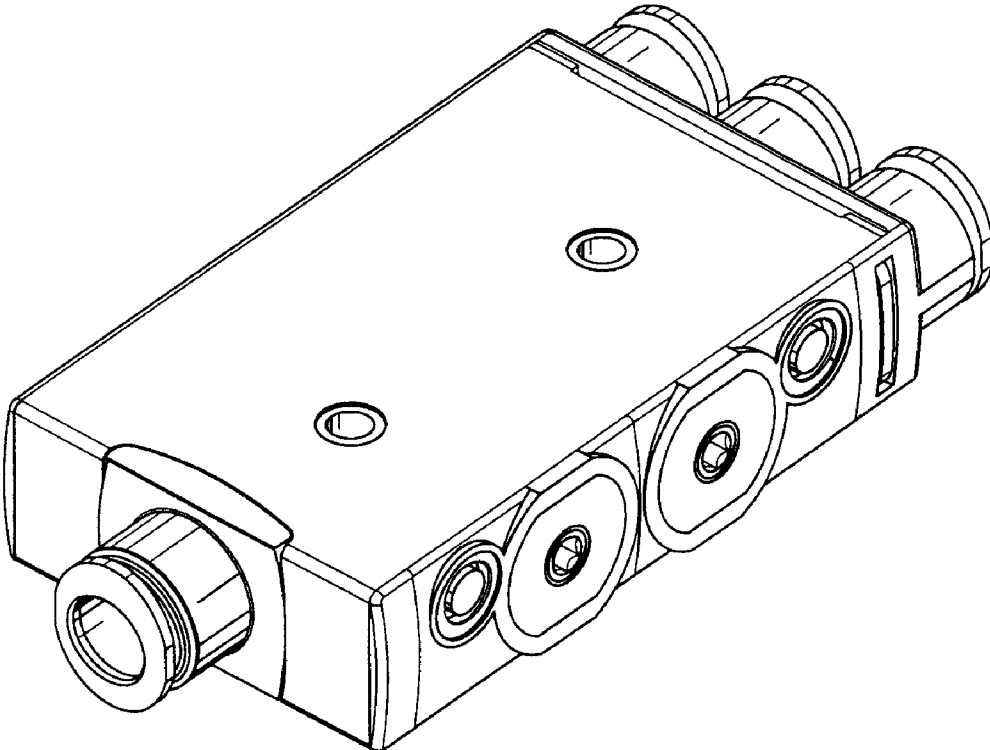


Fig. 1

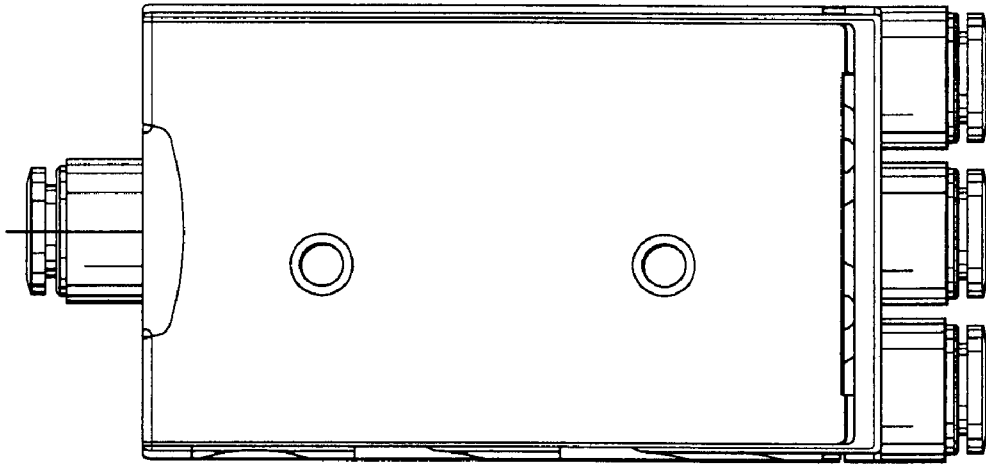


Fig. 2

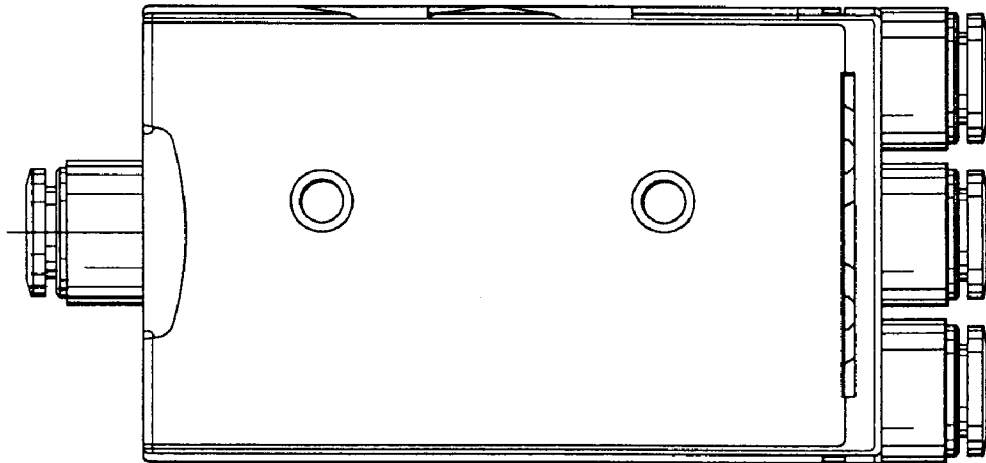


Fig. 3

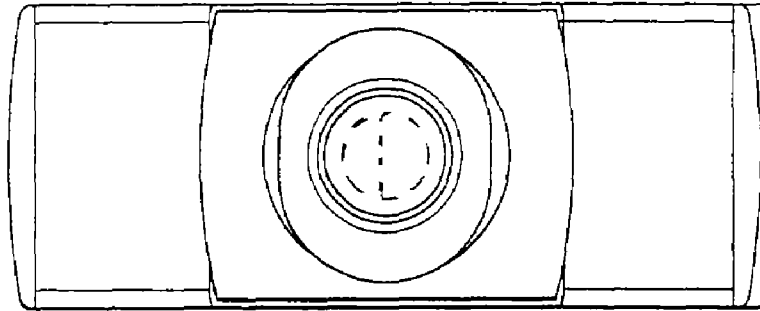


Fig. 4

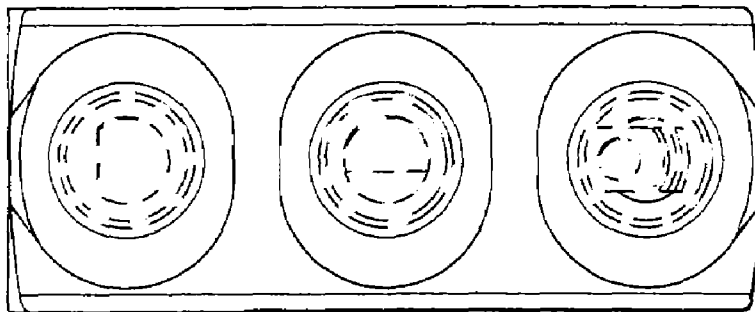


Fig. 5

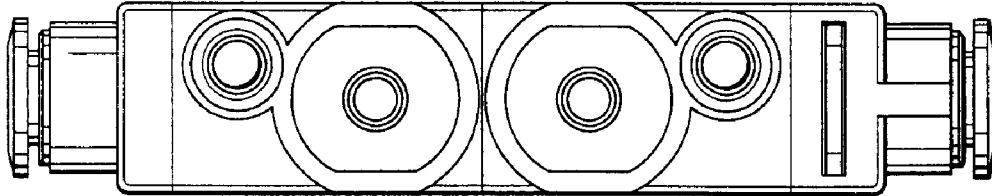


Fig. 6

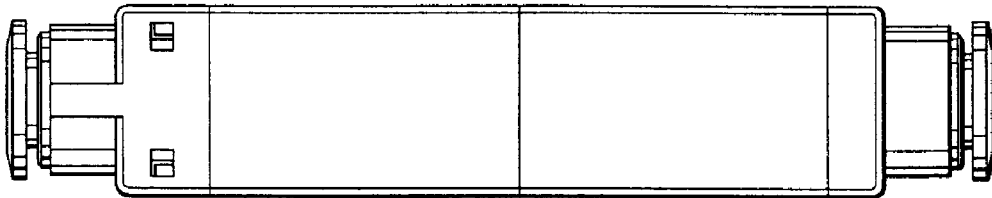


Fig. 7