



US0D1038041S

(12) **United States Design Patent** (10) **Patent No.:** **US D1,038,041 S**  
**Wei** (45) **Date of Patent:** **\*\* Aug. 6, 2024**

(54) **CABLE ORGANIZER**

(71) Applicant: **Dagao Wei**, Guangdong (CN)

(72) Inventor: **Dagao Wei**, Guangdong (CN)

(\*\*) Term: **15 Years**

(21) Appl. No.: **29/857,804**

(22) Filed: **Oct. 26, 2022**

(30) **Foreign Application Priority Data**

Jul. 22, 2022 (CN) ..... 202230472280.1

(51) **LOC (14) Cl.** ..... **13-03**

(52) **U.S. Cl.**  
USPC ..... **D13/155**

(58) **Field of Classification Search**

USPC ..... D6/467, 552; D8/105, 107, 333, 349,  
D8/353, 354, 355, 356, 358, 360, 360.1,  
D8/367, 372, 373, 380, 382, 383,  
D8/394-396, 400; D13/110, 120, 121,  
D13/123, 133, 139.4, 153, 154, 155, 156,  
D13/158, 160, 173, 178, 184, 199  
CPC .... H02G 3/32; H02G 3/0437; H01R 13/6392;  
H01R 13/424; H01R 13/426; H01R  
13/4362; Y10T 24/3907  
See application file for complete search history.

(56) **References Cited**

**U.S. PATENT DOCUMENTS**

D354,904	S	*	1/1995	Halsten	.....	D8/356
D378,408	S	*	3/1997	Pyeatt	.....	D8/356
D488,054	S	*	4/2004	Myers	.....	D8/356
D568,723	S	*	5/2008	Morgan	.....	D8/356
D639,145	S	*	6/2011	Hoek	.....	D8/356
D639,146	S	*	6/2011	Hoek	.....	D8/356
D853,336	S	*	7/2019	Barram	.....	D13/155
D970,455	S	*	11/2022	Xiao	.....	D13/155
2015/0089774	A1	*	4/2015	Kalejaiye	.....	H02G 3/32 24/122.3

**OTHER PUBLICATIONS**

804 Amazon1 NPL, posted Mar. 4, 2021 [online], [retrieved May 29, 2024]. Retrieved from internet, <https://a.co/d/7gq99TK> (Year: 2021).\*

804 Amazon2 NPL, posted Jan. 23, 2024 [online], [retrieved May 29, 2024]. Retrieved from internet, <https://a.co/d/hUKRjpC> (Year: 2024).\*

804 Amazon3 NPL, posted Jun. 29, 2020 [online], [retrieved May 29, 2024]. Retrieved from internet, <https://a.co/d/do1PHtS> (Year: 2020).\*

(Continued)

*Primary Examiner* — George D. Kirschbaum

*Assistant Examiner* — Denis Houyoux

(57) **CLAIM**

The ornamental design for a cable organizer, as shown and described.

**DESCRIPTION**

FIG. 1 is a top, front and right side perspective view of a cable organizer showing my new design;

FIG. 2 is a bottom, rear and left side perspective view thereof;

FIG. 3 is a front elevational view thereof;

FIG. 4 is a rear elevational view thereof;

FIG. 5 is a left side view thereof;

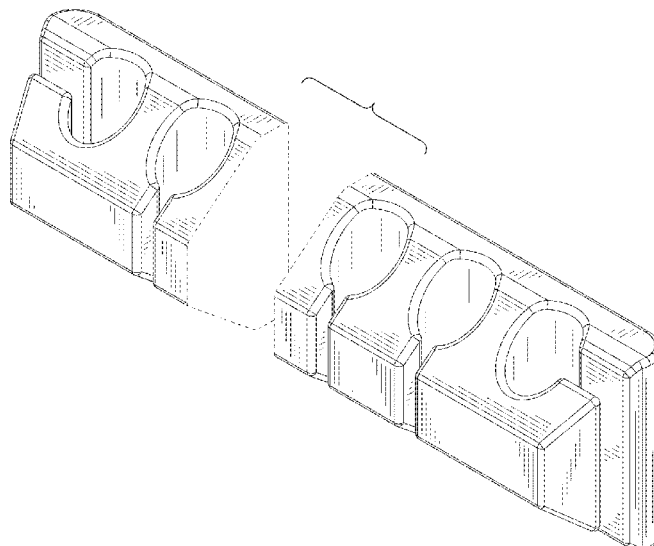
FIG. 6 is a right side view thereof;

FIG. 7 is a top plan view thereof; and,

FIG. 8 is a bottom plan view thereof.

The cable organizer is shown with a symbolic break in its length and the appearance of any portion of the cable organizer between the break lines form no part of the claimed design. The clips are understood to replicate between the two ends of the cable organizer.

**1 Claim, 8 Drawing Sheets**



(56)

**References Cited**

OTHER PUBLICATIONS

804 Amazon4 NPL, posted Aug. 8, 2017 [online], [retrieved May 29, 2024]. Retrieved from internet, <https://a.co/d/4klrTz> (Year: 2017).\*

804 Amazon5 NPL, posted Jun. 29, 2019 [online], [retrieved May 29, 2024]. Retrieved from internet, <https://a.co/d/5vbFtef> (Year: 2019).\*

804 RS NPL, posted May 29, 2024 [online], [retrieved May 29, 2024]. Retrieved from internet, [https://us.rs-online.com/product/rs-pro/4547711/70644333/?gad\\_source=1&gclid=EAlaIQobChMI8erGpLizhgMVpV5HAR0aQwmXEAQYHSABEgJ\\_c%E2%80%A6](https://us.rs-online.com/product/rs-pro/4547711/70644333/?gad_source=1&gclid=EAlaIQobChMI8erGpLizhgMVpV5HAR0aQwmXEAQYHSABEgJ_c%E2%80%A6) (Year: 2024).\*

\* cited by examiner

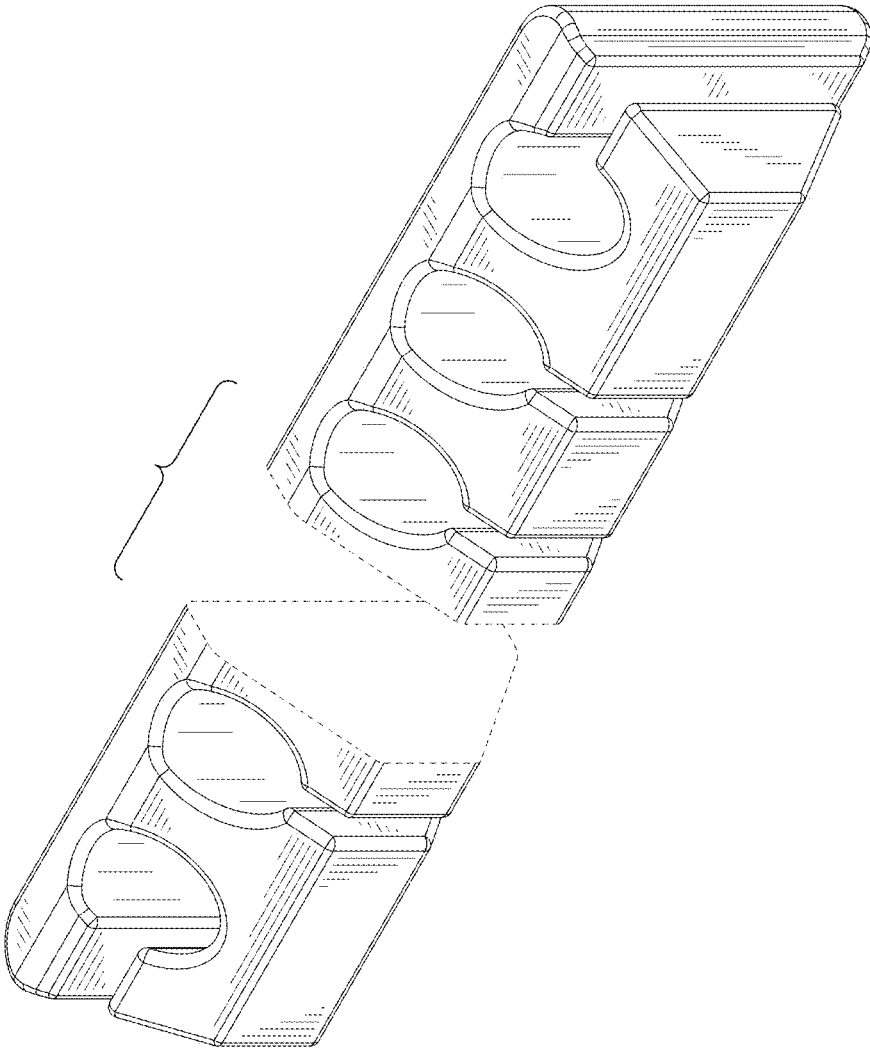


FIG. 1

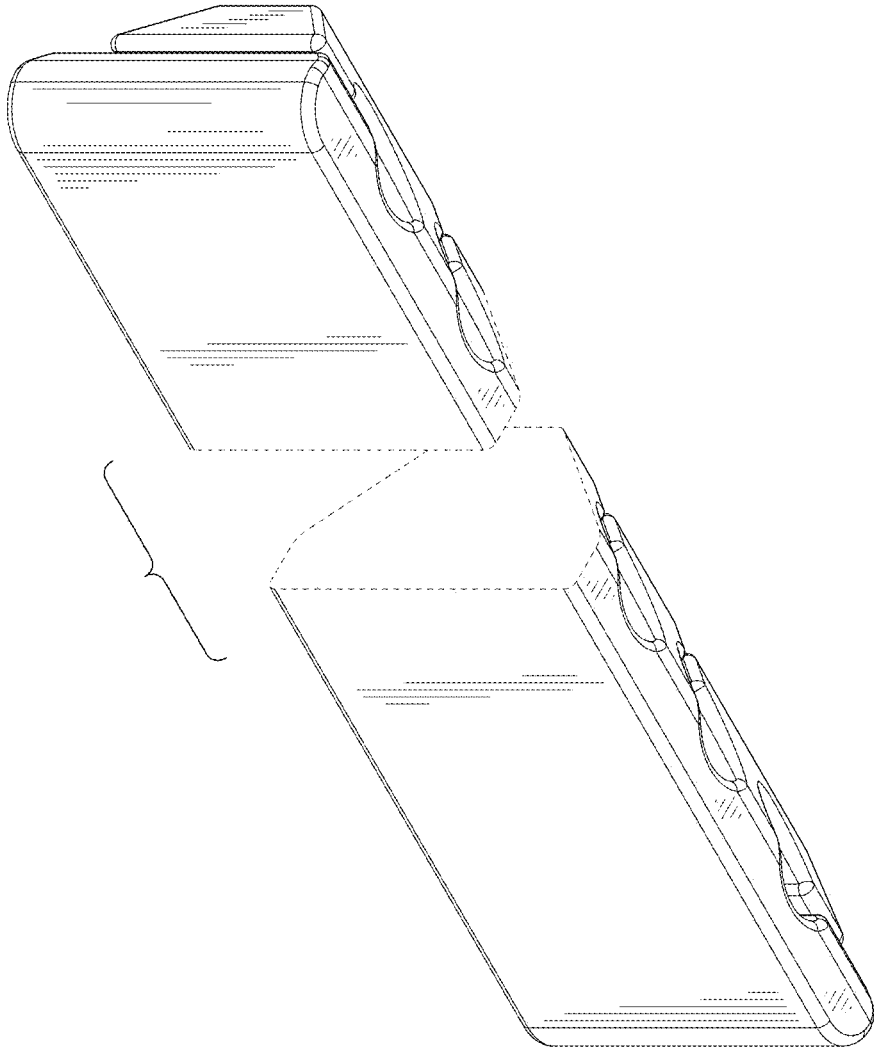


FIG. 2

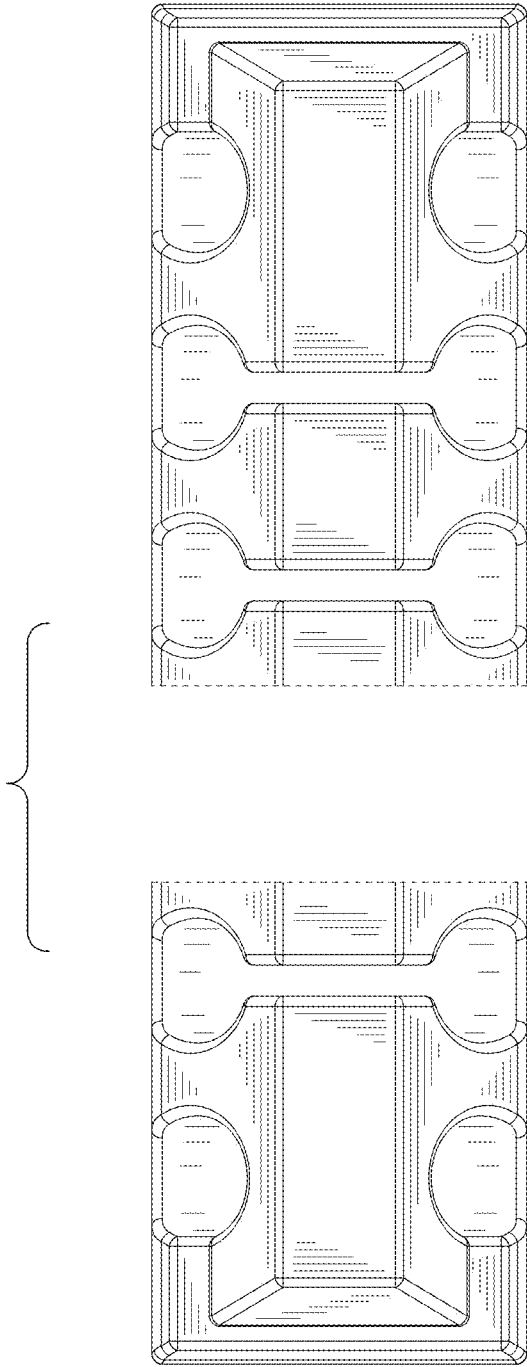


FIG. 3

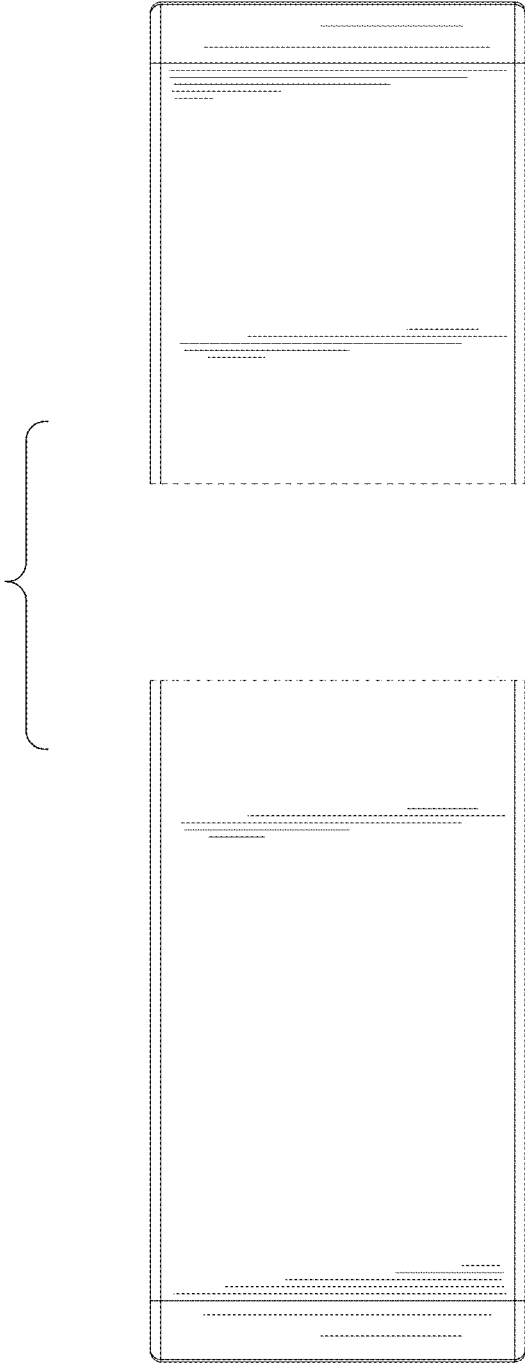


FIG. 4

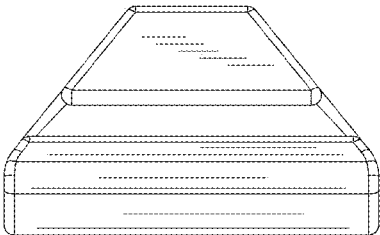


FIG. 5

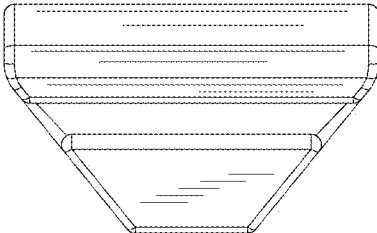


FIG. 6

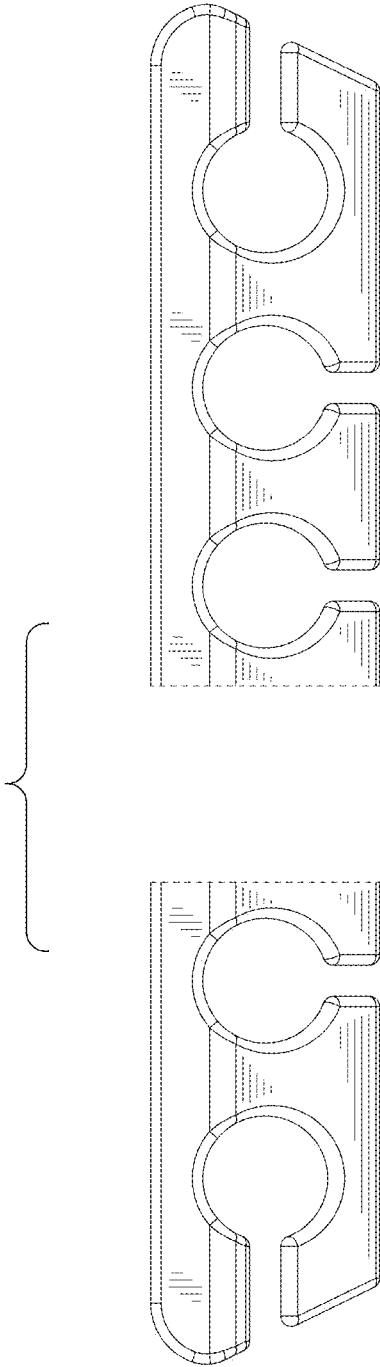


FIG. 7

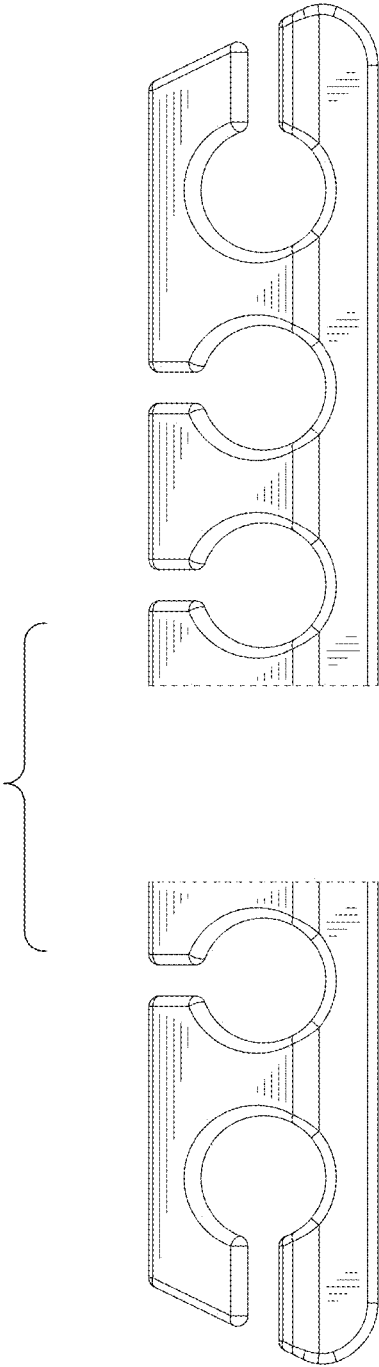


FIG. 8