

(19) World Intellectual Property Organization
International Bureau



(43) International Publication Date
10 March 2011 (10.03.2011)

PCT

(10) International Publication Number
WO 2011/028238 A1

- (51) **International Patent Classification:**
H01R 13/66 (2006.01) *H01R 24/04* (2006.01)
- (21) **International Application Number:**
PCT/US2010/002279
- (22) **International Filing Date:**
19 August 2010 (19.08.2010)
- (25) **Filing Language:** English
- (26) **Publication Language:** English
- (30) **Priority Data:**
12/547,211 25 August 2009 (25.08.2009) US
- (71) **Applicant (for all designated States except US):** **TYCO ELECTRONICS CORPORATION** [US/US]; 1050 Westlakes Drive, Berwyn, PA 19312 (US).
- (72) **Inventors; and**
- (75) **Inventors/Applicants (for US only):** **PEPE, Paul, John** [US/US]; 1812 Kilrush Road, Clemmons, NC 27012 (US). **BOPP, Steven, Richard** [US/US]; 3835 Windstream Way, Jamestown, NC 27282 (US).
- (74) **Agents:** **OAKES, Brian, C.** et al.; Tyco Electronics Technology Resources, Inc., 4550 New Linden Hill Road, Suite 140, Wilmington, DE 19808 (US).
- (81) **Designated States (unless otherwise indicated, for every kind of national protection available):** AE, AG, AL, AM,

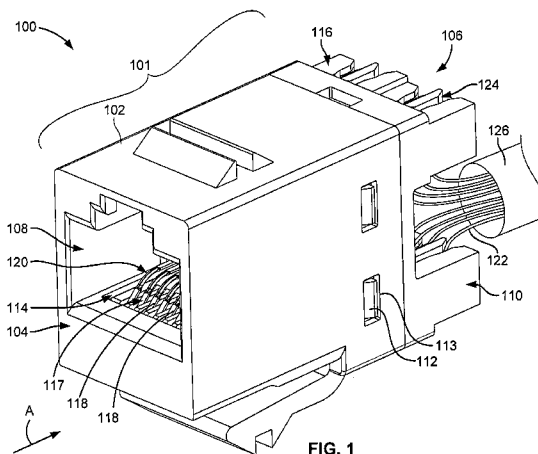
AO, AT, AU, AZ, BA, BB, BG, BH, BR, BW, BY, BZ, CA, CH, CL, CN, CO, CR, CU, CZ, DE, DK, DM, DO, DZ, EC, EE, EG, ES, FI, GB, GD, GE, GH, GM, GT, HN, HR, HU, ID, IL, IN, IS, JP, KE, KG, KM, KN, KP, KR, KZ, LA, LC, LK, LR, LS, LT, LU, LY, MA, MD, ME, MG, MK, MN, MW, MX, MY, MZ, NA, NG, NI, NO, NZ, OM, PE, PG, PH, PL, PT, RO, RS, RU, SC, SD, SE, SG, SK, SL, SM, ST, SV, SY, TH, TJ, TM, TN, TR, TT, TZ, UA, UG, US, UZ, VC, VN, ZA, ZM, ZW.

- (84) **Designated States (unless otherwise indicated, for every kind of regional protection available):** ARIPO (BW, GH, GM, KE, LR, LS, MW, MZ, NA, SD, SL, SZ, TZ, UG, ZM, ZW), Eurasian (AM, AZ, BY, KG, KZ, MD, RU, TJ, TM), European (AL, AT, BE, BG, CH, CY, CZ, DE, DK, EE, ES, FI, FR, GB, GR, HR, HU, IE, IS, IT, LT, LU, LV, MC, MK, MT, NL, NO, PL, PT, RO, SE, SI, SK, SM, TR), OAPI (BF, BJ, CF, CG, CI, CM, GA, GN, GQ, GW, ML, MR, NE, SN, TD, TG).

Published:

- with international search report (Art. 21(3))
- before the expiration of the time limit for amending the claims and to be republished in the event of receipt of amendments (Rule 48.2(h))

(54) **Title:** ELECTRICAL CONNECTORS WITH CROSSTALK COMPENSATION



(57) **Abstract:** An electrical connector (100) including mating conductors (118) configured to engage select plug contacts (146) of a modular plug (145). The connector (100) includes a printed circuit (132) that interconnects the mating conductors (118) to terminal contacts (143). The printed circuit includes first and second shielding rows (230, 232) of conductor vias (139) that are located between end portions (204, 206) of the printed circuit and are electrically connected to the mating conductors (118). The first and second shielding rows (230, 232) extend along first and second row axes (240, 242), respectively, which extend substantially parallel to each other. The printed circuit (132) also includes outer terminal vias (141) electrically connected to the terminal contacts (143). Each end portion (204, 206) has terminal vias (141) therein that are distributed in a direction along the first and second row axes (240, 242). The printed circuit (132) also includes a pair of shielded vias (151) located between the first and second shielding rows (230, 232) and along a central-pair axis (244) that extends substantially parallel to the first and second row axes (240, 242).



WO 2011/028238 A1

ELECTRICAL CONNECTORS WITH CROSSTALK COMPENSATION

BACKGROUND OF THE INVENTION

[0001] The subject matter herein relates generally to electrical connectors, and more particularly, to electrical connectors that utilize differential pairs and experience offending crosstalk and/or return loss.

[0002] The electrical connectors that are commonly used in telecommunication systems, such as modular jacks and modular plugs, may provide interfaces between successive runs of cable in such systems and between cables and electronic devices. The electrical connectors may include mating conductors that are arranged according to known industry standards, such as Electronics Industries Alliance / Telecommunications Industry Association (“EIA/TIA”)-568. However, the performance of the electrical connectors may be negatively affected by, for example, near-end crosstalk (NEXT) loss and/or return loss. In order to improve the performance of the connectors, techniques are used to provide compensation for the NEXT loss and/or to improve the return loss.

[0003] Such techniques have focused on arranging the mating conductors with respect to each other within the electrical connector and/or introducing components to provide the compensation, e.g., compensating NEXT. For example, compensating signals may be created by crossing the conductors such that a coupling polarity between the two conductors is reversed. Compensating signals may also be created in a circuit board of the electrical connector by capacitively coupling digital fingers to one another. However, the above techniques may have limited capabilities for providing crosstalk compensation and/or improving return loss.

[0004] Thus, there is a need for additional techniques to improve the electrical performance of the electrical connector by reducing crosstalk and/or by improving return loss.

BRIEF DESCRIPTION OF THE INVENTION

[0005] The solution is provided by an electrical connector that includes an array of mating conductors configured to engage select plug contacts of a modular plug. The mating conductors include differential pairs. The connector also includes a plurality of terminal contacts that are configured to electrically connect to select cable wires and a printed circuit that interconnects the mating conductors to the terminal contacts. The printed circuit has opposite end portions and also includes first and second shielding rows of conductor vias that are located between the end portions and are electrically connected to the mating conductors. The conductor vias of each of the first and second shielding rows is substantially aligned along first and second row axes, respectively. The first and second row axes are substantially parallel to each other. The printed circuit also includes outer terminal vias that are electrically connected to the terminal contacts. Each end portion has terminal vias therein that are distributed in a direction along the first and second row axes. The printed circuit also includes a pair of shielded vias that are electrically connected to corresponding mating conductors. The pair of shielded vias are located between the first and second shielding rows and located along a central-pair axis extending therebetween. The central-pair axis extends substantially parallel to the first and second row axes. The conductor vias of the first and second shielding rows are located to electrically isolate the shielded vias from the terminal vias.

[0006] The solution is also provided by an electrical connector configured to electrically interconnect a modular plug and cable wires. The connector includes a connector body that has an interior chamber configured to receive the modular plug. The connector also includes a printed circuit that includes a substrate having conductor vias. The connector further includes an array of mating conductors in the interior chamber configured to engage select plug contacts of the modular plug along mating interfaces. The mating conductors extend between the mating interfaces and corresponding conductor vias of the printed circuit. The mating conductors have a cross-section including a width and a thickness. The mating conductors comprise adjacent mating conductors having respective coupling regions that capacitively couple to each other. Each coupling region has a side that extends along the thickness

and faces the side of the coupling region of the adjacent mating conductor. The thickness along each coupling region is greater than the width.

BRIEF DESCRIPTION OF THE DRAWINGS

[0007] The invention will now be described by way of example with reference to the accompanying drawings in which:

[0008] Figure 1 is perspective view of an electrical connector formed in accordance with one embodiment.

[0009] Figure 2 is a perspective view of an exemplary embodiment of a contact sub-assembly of the connector shown in Figure 1.

[0010] Figure 3 is an enlarged perspective view of a mating end of the contact sub-assembly shown in Figure 2.

[0011] Figure 4 is a schematic side view of a contact sub-assembly when a modular plug is engaged with the connector of Figure 1.

[0012] Figure 5 is an elevation view of a printed circuit that may be used with the connector of Figure 1.

[0013] Figure 6 is the elevation view of the printed circuit shown in Figure 5 illustrating an arrangement of vias with respect to each other.

[0014] Figure 7 is an elevation view of a printed circuit formed in accordance with another embodiment that may be used with the connector of Figure 1.

[0015] Figure 8A is a perspective view of the printed circuit and an array of mating conductors that may be used with the connector of Figure 1.

[0016] Figure 8B is a cross-sectional view of bridge portions of adjacent mating conductors of Figure 8A.

[0017] Figure 8C is a cross-sectional view of coupling regions of adjacent mating conductors of Figure 8A.

[0018] Figure 9A is a perspective view of a printed circuit and an array of mating conductors in accordance with another embodiment.

[0019] Figure 9B is a cross-sectional view of engagement portions of the adjacent mating conductors of Figure 9A.

[0020] Figure 9C is a cross-sectional view of coupling regions of the adjacent mating conductors of Figure 9A.

[0021] Figure 9D is a cross-sectional view of circuit contact portions of the adjacent mating conductors of Figure 9A.

[0022] Figure 10 is a perspective view of a printed circuit and an array of circuit contacts in accordance with another embodiment.

[0023] Figure 11 is an elevation view of the printed circuit and the array of circuit contacts shown in Figure 10.

[0024] Figure 12 is an elevation view of the printed circuit shown in Figure 10 showing a plurality of traces extending therethrough.

DETAILED DESCRIPTION OF THE INVENTION

[0025] Figure 1 is a perspective view of an exemplary embodiment of an electrical connector 100. In the exemplary embodiment, the connector 100 is a modular connector, such as, but not limited to, an RJ-45 outlet or communication jack. However, the subject matter described and/or illustrated herein is applicable to other types of electrical connectors. The connector 100 is configured to receive and engage a mating or modular plug 145 (shown in Figure 4) (also referred to as a mating connector). The modular plug 145 is loaded along a mating direction, shown generally by arrow A. The connector 100 includes a connector body 101 having a mating end 104 that is configured to receive and engage the modular plug 145 and a loading end 106 that is configured to electrically and mechanically engage a cable

126. The connector body 101 may include a housing 102 extending from the mating end 104 and toward the loading end 106. The connector body 101 or housing 102 may at least partially define an interior chamber 108 that extends therethrough and is configured to receive the modular plug 145 proximate the mating end 104.

[0026] The connector 100 includes a contact sub-assembly 110 received within the housing 102 proximate to the loading end 106. In the exemplary embodiment, the contact sub-assembly 110 is secured to the housing 102 via tabs 112 that cooperate with corresponding openings 113 within the housing 102. The contact sub-assembly 110 extends from a mating end portion 114 to a terminating end portion 116. The contact sub-assembly 110 is held within the housing 102 such that the mating end portion 114 of the contact sub-assembly 110 is positioned proximate the mating end 104 of the housing 102. The terminating end portion 116 in the exemplary embodiment is located proximate to the loading end 106. As shown, the contact sub-assembly 110 includes an array 117 of mating conductors or contacts 118. Each mating conductor 118 within the array 117 includes a mating surface 120 arranged within the chamber 108. The mating conductors 118 extend between the corresponding mating surfaces 120 and corresponding conductor vias 139 (Figure 2) in a printed circuit 132 (Figure 2). Each mating surface 120 engages (i.e., interfaces with) a select mating or plug contact 146 (shown in Figure 4) of the modular plug 145 when the modular plug 145 is mated with the connector 100.

[0027] In some embodiments, the arrangement of the mating conductors 118 may be at least partially determined by industry standards, such as, but not limited to, International Electrotechnical Commission (IEC) 60603-7 or Electronics Industries Alliance / Telecommunications Industry Association (EIA/TIA)-568. In an exemplary embodiment, the connector 100 includes eight mating conductors 118 comprising four differential pairs. However, the connector 100 may include any number of mating conductors 118, whether or not the mating conductors 118 are arranged in differential pairs.

[0028] In the exemplary embodiment, a plurality of cable wires 122 are attached to terminating portions 124 of the contact sub-assembly 110. The

terminating portions 124 are located at the terminating end portion 116 of the contact sub-assembly 110. Each terminating portion 124 may be electrically connected to a corresponding one of the mating conductors 118. The wires 122 extend from the cable 126 and are terminated at the terminating portions 124. Optionally, the terminating portions 124 include insulation displacement contacts (IDCs) for electrically connecting the wires 122 to the contact sub-assembly 110. Alternatively, the wires 122 may be terminated to the contact sub-assembly 110 via a soldered connection, a crimped connection, and/or the like. In the exemplary embodiment, eight wires 122 arranged as differential pairs are terminated to the connector 100. However, any number of wires 122 may be terminated to the connector 100, whether or not the wires 122 are arranged in differential pairs. Each wire 122 is electrically connected to a corresponding one of the mating conductors 118. Accordingly, the connector 100 may provide electrical signal, electrical ground, and/or electrical power paths between the modular plug 145 and the wires 122 via the mating conductors 118 and the terminating portions 124.

[0029] Figure 2 is a perspective view of an exemplary embodiment of the contact sub-assembly 110. The contact sub-assembly 110 includes a base 130 extending from the mating end portion 114 to a printed circuit 132 proximate the terminating end portion 116, which is located proximate to the loading end 106 (Figure 1) when the connector 100 (Figure 1) is fully assembled. As used herein, the term “printed circuit” includes any electric circuit in which conductive pathways have been printed or otherwise deposited in predetermined patterns on a dielectric substrate. For example, the printed circuit 132 may be a circuit board or a flex circuit having a substrate 202. The contact sub-assembly 110 holds the array 117 of mating conductors 118 such that the mating conductors 118 extend in a direction that is generally parallel to the loading direction (shown in Figure 1 by arrow A) of the modular plug 145 (Figure 4). Optionally, the base 130 includes a supporting block 134 positioned proximate to the printed circuit 132 and a band 133 of dielectric material that is configured to facilitate supporting or holding the mating conductors 118 in a predetermined arrangement.

[0030] Also shown, the printed circuit 132 may electrically engage the mating conductors 118 through corresponding conductor vias 139 and shielded vias 151 (shown in Figure 5). Specifically, the mating conductors 118 may have circuit contact portions 252 proximate to the printed circuit 132 that electrically connect to the corresponding conductor and shielded vias 139 and 151. The conductor and shielded vias 139 and 151 may be electrically connected to corresponding terminal vias 141 through corresponding traces (e.g., traces 481-488 shown in Figure 12).

[0031] Adjacent mating conductors 118 may have coupling regions 138 that are configured to capacitively couple to one another. As used herein, a "coupling region" of a mating conductor includes dimensions that are configured to substantially affect the electromagnetic coupling of the corresponding mating conductor to other mating conductors and/or the printed circuit. In the exemplary embodiment shown in Figure 2, the circuit contact portions 252 include the coupling regions 138; however, the coupling regions 138 may be in other portions of the mating conductors 118 in other embodiments. The coupling regions 138 may be located proximate to the printed circuit 132.

[0032] The terminal vias 141 may be electrically connected to a plurality of terminal contacts 143 (shown in Figure 4). Each terminal contact 143 may mechanically engage and electrically connect to a select wire 122 (Figure 1) proximate the loading end 106 (Figure 1). The arrangement or pattern of the conductor and shielded vias 139 and 151 with respect to each other and to the terminal vias 141 within the printed circuit 132 may be configured for a desired electrical performance. Furthermore, the traces (described below) that electrically connect the terminal vias 141 to the conductor and shielded vias 139 and 151 may also be configured to tune or obtain a desired electrical performance of the connector 100.

[0033] The contact sub-assembly 110 may also include a compensation component 140 (indicated by dashed-lines) that extends between the mating end portion 114 and the terminating end portion 116. The compensation component 140 may be received within a cavity 142 of the base 130. The mating conductors 118 may

be electrically connected to the compensation component 140 proximate to the mating end portion 114 and/or the terminating end portion 116. For example, the mating conductors 118 may be electrically connected to the compensation component 140 through contact pads 144 proximate to the mating end portion 114. Although not shown, the mating conductors 118 may also be electrically connected to the compensation component 140 through other contact pads (not shown) located toward the terminating end portion 116 of the compensation component 140.

[0034] Figure 3 is an enlarged perspective view of the mating end portion 114 of the contact sub-assembly 110. By way of example, the array 117 may include eight mating conductors 118 that are arranged as a plurality of differential pairs P1-P4. Each differential pair P1-P4 consists of two associated mating conductors 118 in which one mating conductor 118 transmits a signal current and the other mating conductor 118 transmits a signal current that is about 180° out of phase with the associated mating conductor. By convention, the differential pair P1 includes mating conductors +4 and -5; the differential pair P2 includes mating conductors +6 and -3; the differential pair P3 includes mating conductors +2 and -1; and the differential pair P4 includes mating conductors +8 and -7. As used herein, the (+) and (-) represent positive and negative polarities of the mating conductors. A mating conductor labeled (+) is opposite in polarity to a mating conductor labeled (-), and, as such, the mating conductor labeled (-) carries a signal that is about 180° out of phase with the mating conductor labeled (+). Mating conductors may also be characterized as having a signal path or a return path where the signal and return paths carry signals that are about 180° out of phase with each other.

[0035] As shown in Figure 3, the mating conductors +6 and -3 of the differential pair P2 are separated by the mating conductors +4 and -5 that form the differential pair P1. As such, the mating conductors +6 and -3 of the differential pair P2 are split by the mating conductors +4 and -5 of the differential pair P1. Near-end crosstalk (NEXT) may develop between the differential pairs P1 and P2 when the plug contacts 146 engage the select mating conductors 118 along the corresponding mating surfaces 120.

[0036] Figure 4 is a schematic side view of the contact sub-assembly 110 when the modular plug 145 is engaged with the connector 100 (Figure 1). (For illustrative purposes, the connector body 101 is not shown and a portion of the modular plug is exposed.) Each mating conductor 118 may extend along the mating direction A between a plug contact engagement portion 127 and the circuit contact portion 252 that electrically connects to the corresponding conductor vias 139. The engagement portion 127 includes the mating surface 120. The engagement portion 127 and the circuit contact portion 252 are separated by a length of the corresponding mating conductor 118. The band 133 and/or a transition region (discussed below) may be located between the engagement portion 127 and the circuit contact portion 252. The engagement portion 127 is configured to interface with the corresponding plug contact 146 along the mating surface 120, and the circuit contact portion 252 is configured to be electrically connected to the printed circuit 132. Although not shown, the circuit contact portion 252 may also be electrically connected to the compensation component 140 (Figure 2).

[0037] The plug contacts 146 of the modular plug 145 are configured to selectively engage mating conductors 118 of the array 117. When the plug contacts 146 engage the mating conductors 118 at the corresponding mating surfaces 120, offending signals that cause noise/crosstalk may be generated. The offending crosstalk (NEXT loss) is created by adjacent or nearby conductors or contacts through capacitive and inductive coupling which yields the unwanted exchange of electromagnetic energy between a first differential pair and or signal conductor to second differential pair and or signal conductor.

[0038] Also shown, the circuit contact portions 252 may include end portions 149 that are mechanically engaged and electrically connected to corresponding shielded and conductor vias 151 and 139 of the printed circuit 132. The terminating portions 124 may include the terminal vias 141 electrically connected to corresponding terminal contacts 143. The shielded and conductor vias 151 and 139 are electrically connected to select terminal vias 141 through traces 147 of the printed circuit 132. Each terminal via 141 may be electrically connected to a terminal contact 143, which are illustrated as IDC's in Figure 4. The terminal contacts 143

mechanically engage and electrically connect to corresponding wires 122. As such, the printed circuit 132 may interconnect the mating conductors 118 to the terminal contacts 143 and transmit signal current therethrough.

[0039] As will be discussed in greater detail below, the coupling regions 138 may be arranged and configured with respect to each other to improve the performance of the connector 100 (Figure 1). Furthermore, the conductor vias 139, the shielded vias 151, and the terminal 141 may be arranged with respect to each other to improve the performance of the connector 100. In addition, the traces 147 of the printed circuit 132, the compensation component 140, and the arrangement of the mating conductors 118 may also be configured to improve the performance of the connector 100.

[0040] In the illustrated embodiment, the mating conductors 118 form at least one interconnection path, such as the interconnection path X1, that transmits signal current between the mating end 104 (Figure 1) and the loading end 106 (Figure 1). As an example, the interconnection path X1 may extend between the engagement portions 127 of the mating conductors 118 and the circuit contact portions 252 to the corresponding conductor and shielded vias 139 and 151. Although not indicated, another interconnection path may extend between the conductor and shielded vias 139 and 151, the PCB traces 147, the terminal vias 141, and to the terminal contacts 143. An “interconnection path,” as used herein, is collectively formed by mating conductors and/or traces of a differential pair(s) that are configured to transmit a signal current between corresponding input and output terminals or nodes when the electrical connector is in operation. Along an interconnection path, the mating conductors and/or traces experience crosstalk coupling from each other that may be used for compensation to reduce or cancel the offending crosstalk and/or to improve the overall performance of the connector. In some embodiments, the signal current may be a broadband frequency signal current. By way of example, each differential pair P1-P4 (Figure 3) transmits signal current along the interconnection path X1 between the corresponding engagement portion 127 and the corresponding circuit contact portion 252. Although not shown, in some embodiments, another interconnection path may extend through the compensation component 140 (Figure

2). Such embodiments are described in greater detail in U.S. Patent Application No. 12/190,920, which is incorporated by reference in the entirety.

[0041] Techniques for providing compensation may be used along the interconnection path X1, such as reversing the polarity of crosstalk coupling between the conductors/traces and/or using discrete components. By way of an example, the band 133 of dielectric material may support the mating conductors 118 as the mating conductors 118 are crossed over each other at a transition region 135. In other embodiments, non-ohmic plates and discrete components, such as, resistors, capacitors, and/or inductors may be used along interconnection paths for providing compensation to reduce or cancel the offending crosstalk and/or to improve the overall performance of the connector. Also, the interconnection path X1 may include one or more NEXT stages. A "NEXT stage," as used herein, is a region where signal coupling (i.e., crosstalk coupling) exists between conductors or pairs of conductors of different differential pairs or signal paths and where the magnitude and phase of the crosstalk are substantially similar, without abrupt change. The NEXT stage could be a NEXT loss stage, where offending signals are generated, or a NEXT compensation stage, where NEXT compensation is provided. As shown in Figure 4, the interconnection path X1 may include a NEXT loss Stage 0 and a NEXT compensation Stage I. The Stages 0 and I are separated by the transition region 135.

[0042] Figure 5 is an elevation view of the printed circuit 132 as viewed from the loading end 106 (Figure 1) and illustrating the terminal vias 141, the conductor vias 139, and the shielded vias 151 arranged with respect to each other in the exemplary embodiment. The printed circuit 132 includes the substrate 202 having a length L_1 that extends along a vertical or first orientation axis 190 and a width W_1 that extends along a horizontal or second orientation axis 192. The terms "horizontal" and "vertical" are used only for describing orientation and not intended to limit the embodiments described herein. The substrate 202 has a substantially rectangular and planar body and a surface S_1 extending therealong. The substrate 202 includes side edges 210-213. The side edges 211 and 213 extend substantially parallel to each other and extend widthwise along the second orientation axis 192. The side edges 210 and 212 extend substantially parallel to each other and extend lengthwise along

the first orientation axis 190. Although the length L_1 is illustrated as being greater than the width W_1 , in alternative embodiments, the width W_1 may be greater than the length L_1 or the length L_1 and width W_1 may be substantially equal. Also, although the substrate 202 is shown as being substantially rectangular, the substrate may have other geometric shapes that include curved or planar side edges.

[0043] The substrate 202 may be formed from a dielectric material(s) having multiple layers and include opposite end portions 204 and 206 and a center portion 208 extending therebetween. The substrate 202 is configured to interconnect the wires 122 (Figure 1) and the mating conductors 118 (Figure 1) so that current may flow therethrough. The conductor and shielded vias 139 and 151 are configured to electrically connect with corresponding mating conductors 118, and the terminal vias 141 are configured to electrically connect with the terminal contacts 143 (Figure 4). Similar to the mating conductors 118 shown in Figure 3, the conductor vias 139, the shielded vias 151, and the terminal vias 141 may form the differential pairs P1-P4 and may be referred to as conductor vias 1-8, shielded vias 1-8, or terminal vias 1-8. (In the exemplary embodiments, the shielded vias 151 are electrically connected to the mating conductors 118 of the differential pair P2.) Accordingly, the conductor vias 139, the shielded vias 151, and the terminal vias 141 are configured to transmit signal current of the differential pairs P1-P4 (Figure 3).

[0044] The substrate 202 may include a circuit array 224 that includes the plurality of conductor vias 139, the pair of shielded vias 151, and the plurality of terminal vias 141 arranged with respect to each other to for mitigating offending crosstalk and/or improving return loss. The plurality of conductor vias 139 and the pair of shielded vias 151 may form an interior array 220 and the plurality of terminal vias 141 may form an outer ring 221 (shown in Figure 6) having outer ring portions 222A and 222B. In the illustrated embodiment, the shielded vias 151 are the vias -3 and +6 associated with the differential pair P2 (i.e., the pair of shielded vias 151 are electrically connected to the mating conductors 118 of differential pair P2). The interior array 220 may also include first and second shielding rows 230 and 232 of conductor vias 139 that are located to isolate and shield the shielded vias 151 from the

terminal vias 141. The first and second shielding rows 230 and 232 of conductor vias 139 are located between the end portions 204 and 206.

[0045] In the illustrated embodiment, the shielded vias -3 and +6 of the differential pair P2 may be centrally located in the circuit array 224. As used herein, the term "centrally located" includes the shielded vias -3 and +6 being located generally near a center 226 of the circuit array 224 (or the outer ring 221 shown in Figure 6) and surrounded by the conductor vias 139 and terminal vias 141. The shielded vias 151 may be adjacent to one another. As used herein, two vias are "adjacent" to one another when the two vias are relatively close to each other and no other via is located therebetween. For example, with respect to Figure 5, the shielded vias -3 and +6 of the differential pair P2 are adjacent; the terminal vias -3 and +6 of the differential pair P2 are adjacent; the terminal vias -5 and +4 of the differential pair P1 are adjacent; the terminal vias -7 and +8 of the differential pair P4 are adjacent; the terminal vias -1 and +2 of the differential pair P3 are adjacent. Furthermore, vias that are not of a differential pair may be adjacent. For example, the conductor via -5 is adjacent to the conductor via +2 and the conductor via +8. Furthermore, the conductor via +2 is adjacent to the terminal via +6, and the conductor via -7 is adjacent to the terminal via -1.

[0046] The first and second shielding rows 230 and 232 are configured to electrically isolate the shielded vias 151 from the outer ring 221 (shown in Figure 6) of surrounding terminal vias 141. As such, the pair of shielded vias 151 is located between the first and second shielding rows 230 and 232. As shown, the conductor vias 139 of the first shielding row 230 are distributed widthwise (i.e., spaced apart from each other) along a first row axis 240. The first row axis 240 may extend substantially parallel to the second orientation axis 192. The conductor vias 139 of the first shielding row 230 are substantially aligned with respect to each other along the first row axis 240 such that the first row axis 240 intersects the corresponding conductor vias 139. As shown, the first row axis 240 intersects centers of the conductor vias 139; however, the conductor vias 139 may be substantially aligned with respect to each other provided that the first row axis 240 intersects at least a portion of the each conductor via 139 of the first shielding row 230. Also shown, the

conductor vias 139 of the second shielding row 232 are distributed widthwise along a second row axis 242. The first and second row axes 240 and 242 may extend substantially parallel to each other and the second orientation axis 192. The conductor vias 139 of the second shielding row 232 are substantially aligned with respect to each other along the second row axis 242.

[0047] Also shown, each of the centrally located shielded vias 151 may be substantially equidistant from the first and second shielding rows 230 and 232. More specifically, the shielded vias -3 and +6 may be spaced apart from each other and located along a central-pair axis 244 that extends substantially parallel to the first and second row axes 240 and 242. A shortest distance Z_1 measured from the shielded via -3 to the first row axis 240 may be substantially equidistant to a shortest distance Z_2 measured from the shielded via -3 to the second row axis 242. In the illustrated embodiment, the distance Z_1 is slightly greater than the distance Z_2 . Likewise, the shielded via +6 may be substantially equidistant from the first and second row axes 240 and 242.

[0048] Each end portion 204 and 206 may include one of the outer ring portions 222A and 222B, respectively, which each include corresponding terminal vias 141 of the outer ring 221 (shown in Figure 6). In the illustrated embodiments, each differential pair P1-P4 of terminal vias 141 (i.e., terminal vias -5 and +4; -3 and +6; -1 and +2; -7 and +8; respectively) is located in a select or corresponding corner region C₁-C₄ of the substrate 202. The interior array 220 is located between the terminal vias 141 of the outer ring portions 222A and 222B.

[0049] As shown, the terminal vias 141 within each end portion 204 and 206 are distributed in a direction along the second orientation axis 192 (or in a direction along the first and second row axes 240 and 242). The terminal vias 141 may be spaced apart from each other in a direction along the second orientation axis 192 such that the terminal vias 141 may have more than two axial locations with respect to the second orientation axis 192 (i.e., the terminal vias 141 may be located on more than two axes that extend substantially parallel to the first orientation axis 190). Figure 5 illustrates a particular embodiment where there are four axial locations 171-174.

Specifically, the terminal vias +6 and +8 have a first axial location 171; the terminal vias -3 and -7 have a second axial location 172; the terminal vias +4 and +2 have a third axial location 173; and the terminal vias -5 and -1 have a fourth axial location 174. As such, each terminal via 141 within the end portion 204 has its own axial location with respect to the second orientation axis 192, and each terminal via 141 within the end portion 206 has its own axial location with respect to the second orientation axis 192. In other words, within each end portion 204 and 206, no two terminal vias 141 may be substantially aligned along an axis that extends substantially parallel to the first orientation axis 190.

[0050] However, in alternative embodiments, the terminal vias 141 may have only two or three axial locations. Furthermore, two terminal vias may be substantially aligned with respect to an axis that extends parallel to the first orientation axis 190 in other embodiments.

[0051] Figure 6 is the elevation view of the printed circuit 132 from Figure 5 and also illustrates the arrangement of the terminal vias 141, the shielded vias 151, and the conductor vias 139 in the circuit array 224. As shown, the substrate 202 may extend along center axes 290 and 292 that intersect the center 226 of the circuit array 224. (The center 226 of the circuit array 224 may or may not overlap a geometric center of the substrate 202.) The center axis 290 extends parallel to the first orientation axis 190, and the center axis 292 extends parallel to the second orientation axis 192. The terminal vias 141 may be arranged such that differential pairs P1-P4 of terminal vias 141 are symmetrical with respect to each other about the center axes 290 and 292.

[0052] Also, the terminal vias 141 of the differential pairs P1-P4 are arranged such that the terminal vias 141 of the differential pairs P1-P4 form the substantially circular-shaped outer ring 221 (indicated by a dashed outline). The outer ring 221 surrounds the interior array 220 of the conductor and shielded vias 139 and 151. Furthermore, each differential pair P1-P4 of terminal vias 141 may be located on a corresponding plane M_1 - M_4 , respectively. The planes M_1 - M_4 may substantially face the interior array 220 (i.e., lines drawn perpendicular to the planes M_1 - M_4 extend

toward the interior array 220). Each plane M_1 - M_4 may face a different direction with respect to the other planes M_1 - M_4 . Each plane M_1 - M_4 may also face the center 226 or the centrally located shielded vias -3 and +6. More specifically, a line drawn from any point between associated terminal vias 141 along the respective plane M_1 - M_4 to the center 226 may be substantially perpendicular to the respective plane M_1 - M_4 (e.g., about $90^\circ \pm 10^\circ$). In alternative embodiments, only one, two, or three planes M face the center 226. In a more particular embodiment, at least two planes M (e.g., M_1 and M_4 or M_2 and M_3 in Figure 6) may oppose each other (i.e., face each other) with the center 226 between the terminal vias 141. Also shown in Figure 6, the planes M_1 - M_4 may be equidistant from the center 226. However, in alternative embodiments, one or more planes M are not equidistant with respect to the other.

[0053] The associated terminal vias 141 of each differential pair P1-P4 may be adjacent to each other and separated from each other by a separation distance S_D . In the illustrated embodiment, the separation distances S_{D1} - S_{D4} of the differential pairs P1-P4, respectively, are substantially equal. However, in alternative embodiments, the separation distances S_{D1} - S_{D4} are not substantially equal. Furthermore, each separation distance S_{D1} - S_{D4} may have a midpoint 261-264 between the associated terminal vias 141 and located on the respective plane M_1 - M_4 . Each plane M_1 - M_4 may be tangent to the outer ring 221 at the corresponding midpoint 261-264, respectively. As shown in Figure 6, lines drawn from the midpoints 261-264 may be substantially perpendicular to the center 226.

[0054] Furthermore, in some embodiments, the terminal vias 141 of one differential pair may be substantially equidistant from one of the conductor vias 139 of the first or second shielding row 230 and 232. For example, the conductor via -1 of the shielding row 232 may be substantially equidistant from the terminal vias +8 and -7 of the differential pair P4.

[0055] Figure 5 shows that each conductor via 139 of the first and second shielding rows 230 and 232 may be separated from the shielded vias -3 and +6 by predetermined distances $D_{\text{via-to-via}}$. (The distances $D_{\text{via-to-via}}$ are measured from a center of one via to a center of the other via.) Figure 6 shows that the associated conductor

vias 139 of each differential pair P1-P4 may be separated from each other by predetermined distances $D_{\text{via-to-via}}$. Table 1 lists the respective distances $D_{\text{via-to-via}}$ for the particular embodiment shown in Figures 5 and 6.

Table 1

Distance ($D_{\text{via-to-via}}$) from conductor via to conductor via (mm) as shown in Figures 5 and 6			
D_{25}	3.048	D_{46}	3.335
D_{58}	3.048	D_{67}	3.770
D_{23}	4.155	D_{14}	3.048
D_{35}	3.764	D_{47}	3.048
D_{56}	4.155	D_{12}	6.876
D_{68}	3.764	D_{45}	6.876
D_{13}	3.335	D_{78}	6.876
D_{34}	3.770	D_{36}	3.048

[0056] As shown in Figure 5, the conductor vias +2, -5, and +8 of the first shielding row 230 may be evenly spaced apart from each other along the first row axis 240. The conductor vias -1, +4, and -7 of the second shielding row 232 may be evenly spaced apart from each other along the second row axis 242. The distances $D_{\text{via-to-via}}$ extending from the conductor vias 139 of the first shielding row 230 to the centrally located shielded vias -3 and +6 may be substantially equal (i.e., within approximately 30% of each other or, in a more specific embodiment, 20%). Furthermore, the distances $D_{\text{via-to-via}}$ extending from the conductor vias 139 of the second shielding row 232 to the centrally located shielded vias -3 and +6 may be substantially equal (i.e., within approximately 30% of each other or, in a more specific embodiment, 20%). In addition, the distance D_{36} (Figure 6) separating the shielded vias -3 and +6 may be approximately equal to the distances separating the conductor vias 139 along each shielding row. The distance D_{36} also extends along the central-pair axis 244. Accordingly, the distance or length of the first shielding row 230 (i.e., $D_{25} + D_{58}$) is greater than the distance D_{36} (Figure 6) separating the shielded vias -3 and +6. Likewise, the distance or length of the second shielding row 232 (i.e., $D_{14} + D_{47}$) is greater than the distance D_{36} . Furthermore, the distance D_{36} may be less than the shortest distances Z_1 and Z_2 .

[0057] Also, the distance $D_{\text{via-to-via}}$ that separates the associated conductor vias 139 of one differential pair P1, P3, and P4 (i.e., D_{45} , D_{12} , D_{78}) in the interior array 220 may be substantially equal (e.g., the distance $D_{\text{via-to-via}}$ separating the conductor vias 139 of the differential pairs P1, P3, and P4 is equal to 6.876 mm in Table 1). The distance $D_{\text{via-to-via}}$ that separates the associated conductor vias 139 of a differential pair may also be used to determine the differential characteristic impedance between the associated conductor vias 139. The differential characteristic impedance of the conductor vias 139 may be determined by the radius of the conductor vias 139 and the $D_{\text{via-to-via}}$ between the associated mating conductors 118.

[0058] Also shown in Figures 5, at least one of the shielded vias 151 may form a "dual-polarity" coupling with two conductor vias 139. In a dual-polarity coupling, the respective shielded via 151 electromagnetically couples with two conductor vias 139. For example, the respective shielded via 151 may electromagnetically couple with two conductor vias 139 in which the two conductor vias 139 have opposite signs with respect to each other. Dual-polarity coupling may facilitate in the reduction of offending crosstalk coupling that may occur between the conductor vias 139, shielded vias 151, and the terminal vias 141 in the printed circuit 132. In particular embodiments, the shielded via 151 may electromagnetically couple with two conductor vias 139 of the same differential pair. For example, the shielded via -3 is electromagnetically coupled with the conductor via +2, which has an opposite sign polarity, and is also electromagnetically coupled with the conductor -1, which has the same sign polarity. Furthermore, the shielded via +6 is electromagnetically coupled with the conductor via +8, which has the same sign polarity, and is also electromagnetically coupled with the conductor -7, which has the opposite sign polarity. In the illustrated embodiment, the conductor vias 139 that form a dual-polarity coupling are equivalent in size (i.e., they have a common diameter).

[0059] Accordingly, in some embodiments, the shielded via 151 may form a dual-polarity coupling with conductor vias 139 of a differential pair in which each shielding row 230 and 232 has one of the conductor vias 139 of the corresponding differential pair.

[0060] Furthermore, in some embodiments, the distance separating the electrically isolated shielded via 151 from the corresponding two dual-polarity conductor vias 139 may be substantially equidistant. For instance, first and second conductor vias +2 and -1 of the differential pair P3 may be located first and second distances away (i.e., distances D_{13} and D_{23}), respectively, from the shielded via -3. A difference between the first and second distances may be at most 30% of one of the first and second distances. In a particular embodiment, the difference between the first and second distances may be at most 20% of one of the first and second distances. As another example, distance D_{68} may be substantially equal to distance D_{67} . Accordingly, the electromagnetic coupling between the shielded via -3 and the conductor vias +2 and -1 may be substantially balanced, and the electromagnetic coupling between the shielded via +6 and the conductor vias +8 and -7 may be substantially balanced.

[0061] In addition to each shielded via -3 and +6 forming a dual-polarity coupling with a select one differential pair, each shielded via -3 and +6 may be electromagnetically coupled to another differential pair. For example, both of the shielded vias -3 and +6 may be electromagnetically coupled to the conductor vias -5 and +4 of the differential pair P1. As such, the shielded vias -3 and +6 may each form a dual-polarity coupling with the conductor vias -5 and +4. Accordingly, the first and second rows 230 and 232 may not only electrically isolate the shielded vias -3 and +6 from the terminal vias 141, but may also electromagnetically couple in a balanced manner to the shielded vias -3 and +6.

[0062] Figure 7 is an elevation view of a printed circuit 632 formed in accordance with an alternative embodiment that may be used with the connector 100 of Figure 1. The printed circuit 632 may have similar features as the printed circuit 132 shown in Figures 5 and 6. For example, the printed circuit 632 may have a substrate 602 that is similar to the substrate 202 (Figure 5). Furthermore, the substrate 602 may have terminal vias 641 that are similarly arranged as the terminal vias 141 (Figure 5). However, the printed circuit 632 may include an interior array 620 of conductor vias 639 and shielded vias 651 that is different than the interior array 220 (Figure 5) of the printed circuit 132.

[0063] The conductor vias 639 and the shielded vias 651 may be electrically connected to the mating conductors 118 (Figure 1), which form the differential pairs P1-P4 (Figure 3). The conductor vias 639 may form first and second shielding rows 650 and 652. The conductor vias 639 of each shielding row 650 and 652 may be substantially aligned with respect to each other. However, the conductor vias 639 of the differential pair P3 may be switched with respect to the conductor vias 139 (Figure 5) of the differential pair P3. More specifically, the conductor via -1 is substantially aligned with the conductor vias -5 and +8 in the first shielding row 650, and the conductor via +2 is substantially aligned with the conductor vias +4 and -7 in the second shielding row 652. Furthermore, the conductor vias 639 of each shielding row 650 and 652 are not evenly spaced apart from each other as the conductor vias 139 are in first and second shielding rows 230 and 232 (Figure 5). In a particular embodiment, the interior array 620 of conductor vias 639 and shielded vias 651 may be separated by distances $D_{\text{via-to-via}}$ as listed in Table 2.

Table 2

Distance ($D_{\text{via-to-via}}$) from conductor via to conductor via (mm) as shown in Figure 7			
D_{15}	2.032	D_{46}	3.335
D_{58}	3.048	D_{67}	3.770
D_{23}	3.770	D_{24}	4.064
D_{35}	3.764	D_{47}	3.048
D_{56}	4.155	D_{12}	6.876
D_{68}	3.764	D_{45}	6.876
D_{13}	3.764	D_{78}	6.876
D_{34}	3.770	D_{36}	3.048

[0064] Similar to the first and second shielding rows 230 and 232 of Figures 5 and 6, the first and second shielding rows 650 and 652 of conductor vias 639 may be configured to electrically isolate the centrally located shielded vias 651 from the terminal vias 641. Furthermore, each shielded via -3 and +6 may form a dual-polarity coupling with the conductor vias 639 of the first and second shielding rows 650 and 652. As shown, each shielded vias 651 may be electromagnetically coupled to the conductor vias 639 of one differential pair. More specifically, the shielded via -3 is

electromagnetically coupled with the conductor vias +2 and -1 (i.e., the conductor vias 139 of the differential pair P3), and the shielded via +6 is electromagnetically coupled with the conductor vias +8 and -7 (i.e., the conductor vias 139 of the differential pair P4). In the illustrated embodiment, the distance $D_{\text{via-to-via}}$ separating the shielded via -3 from conductor vias -1 and +2 may be substantially equal, and the distance $D_{\text{via-to-via}}$ separating the shielded via +6 from conductor vias +8 and -7 may be substantially equal. The electromagnetic coupling among the conductor vias 639 may be configured as desired.

[0065] Although Figures 5-7 illustrate particular embodiments for electrically isolating the shielded vias of the differential pair P2 and/or for forming a dual-polarity coupling with the conductor vias of the shielding rows, other embodiments having different configurations, dimensions, and distances $D_{\text{via-to-via}}$ may be made.

[0066] Figure 8A is an exposed perspective view of the printed circuit 132 and the array 117 of mating conductors 118 of the contact sub-assembly 110 (Figure 1). The mating conductors 118 may extend from distal tips 250 that are configured to engage the contact pads 144 (Figure 2) and extend toward the printed circuit 132. As shown, each mating conductor 118 may extend from a corresponding distal tip 250 through the plug contact engagement portion 127. The mating conductor 118 may then extend through the transition region 135 where the mating conductor 118, optionally, may be switched or cross-over another mating conductor. From there, the mating conductor 118 may extend to a bridge portion 256 and then to the circuit contact portion 252 that mechanically and electrically engages the printed circuit 132. As will be described in greater detail, when the mating conductor 118 extends from the engagement portion 127 toward the printed circuit 132, the mating conductor 118 may form or shape into the coupling region 138. More specifically, the bridge portions 256 and/or the circuit contact portions 252 may include the coupling regions 138.

[0067] Figures 8B and 8C show cross-sections CA_1 and CB_1 of two adjacent mating conductors 118A and 118B. Figure 8B illustrates cross-sections CA_1 taken

with the corresponding bridge portions 256 (Figure 8A) of the adjacent mating conductors 118A and 118B. Figure 8C illustrates cross-sections CB_1 taken with coupling regions 138 (Figure 8A) of the adjacent mating conductors 118A and 118B. In Figure 8A, the coupling regions 138 are shown as being within the circuit contact portions 252. However, in alternative embodiments, the coupling regions 138 may be in other portions of the mating conductors 118, such as the bridge portion.

[0068] As shown in Figure 8C, the coupling region 138 of a mating conductor 118 may have an increased surface area SA_1 along a side 254A with respect to other portions of the mating conductor 118 (e.g., with respect to the engagement portion 127, distal tip 250). As one example shown in Figure 8B, the coupling region 138 may have an increased surface area SA_1 with respect to a surface area SA_2 of the bridge portion 256. In Figures 8-10, the surface area SA of the coupling regions appears to be indicated as one dimension in the cross-sections. However, those skilled in the art understand that a surface area SA of a planar surface is the product of two dimensions and that the other dimension of the coupling regions that is not shown in the cross-sections of Figures 8-10 is a length in which the adjacent mating conductors extend alongside each other in the coupling regions.

[0069] The coupling regions 138 of adjacent mating conductors 118A and 118B may increase the capacitive coupling between the adjacent mating conductors 118A and 118B thereby affecting the crosstalk coupling of the connector 100. In some embodiments, the surface area SA of each coupling region 138 may be configured to create desired compensatory crosstalk that may reduce or cancel the offending crosstalk coupling that occurs at the plug contacts 146 and/or mating surfaces 120 of the engagement portions 127. In a more particular embodiment, the surface area SA of each coupling region 138 may be approximately equal to surface areas of the plug contacts 146 (Figure 4) that face each other when the modular plug 145 (Figure 4) engages the connector 100.

[0070] Returning to Figures 8B and 8C, the mating conductors 118A and 118B are adjacent to one another and extend alongside each other. As shown, the mating conductors 118A and 118B have a spacing S_5 therebetween. In alternative

embodiments, the spacing S_5 may vary as desired as varying the spacing S_5 may affect the electromagnetic coupling of the adjacent mating conductors 118A and 118B. However, in the illustrated embodiment, the spacing S_5 is uniform from the transition region 135 to the printed circuit 132. Furthermore, each mating conductor 118 has opposite sides 254A and 254B and opposite edges 258A and 258B. The side 254A of one mating conductor 118 may face the side 254B of another mating conductor 118.

[0071] The mating conductors 118A and 118B may have a uniform width W_2 at the cross-sections CA_1 and CB_1 . The mating conductors 118A and 118B may have a thickness T_1 (Figure 8B) at the cross-section CA_1 and a thickness T_2 (Figure 8C) at the cross-section CB_1 . In some embodiments, the thickness T_2 is greater along the coupling region 138 than the thickness T_1 at the bridge portion 256. The thickness T_1 may be less than the width W_2 at the bridge portion 256, but the thickness T_2 may be greater than the width W_2 at the coupling region 138 (and also greater than the thickness T_1 in the bridge portion 256). Accordingly, in the exemplary embodiment, a surface area SA_1 along the sides 254 of the cross-section CB_1 is greater than a surface area SA_2 along the sides 254 of the cross-section CA_1 . The surface areas SA_1 may be sized and shaped for a desired amount of crosstalk coupling. For example, the greater the surface area SA_1 , the greater an amount of crosstalk coupling may be generated.

[0072] Figure 9A is an exposed perspective view of a printed circuit 332 and an array 317 of mating conductors 318 of a contact sub-assembly (not shown) formed in accordance with another embodiment. The contact sub-assembly may be incorporated into an electrical connector, such as the connector 100 (Figure 1). Each mating conductor 318 may extend from a corresponding distal tip 350 through a plug contact engagement portion 327 to a transition region 335 of the array 317. Each mating conductor 318 may then extend to a bridge portion 356 and then to a circuit contact portion 352 that mechanically and electrically engages the printed circuit 332. As shown in Figure 9A, the bridge portions 356 may include the coupling regions 338. Figures 9B, 9C, and 9D show cross-sections CA_2 , CB_2 , and CC , respectively, of two adjacent mating conductors 318A and 318B. Specifically, Figure 9B illustrates cross-sections CA_2 taken within the corresponding engagement portions 327 (Figure 9A); Figure 9C illustrates cross-sections CB_2 taken within coupling regions 338 in the

bridge portions 356 (Figure 9A); and Figure 9D illustrates cross-sections CC taken with the circuit contact portions 352 (Figure 9A) that engage the printed circuit 332 (Figure 9A).

[0073] As shown in Figure 9A-9D, the mating conductors 318A and 318B are adjacent to one another and extend alongside each other. The mating conductors 318A and 318B have a uniform spacing S_2 therebetween (Figures 9B-9D). As shown in Figures 9B-9D, each mating conductor 318 has opposite sides 354A and 354B and opposite edges 358A and 358B. The side 354A of one mating conductor 318 may face the side 354B of another mating conductor 318. The mating conductors 318 may have a uniform width W_3 at the engagement portion 327 (Figure 9B), the coupling region 338 (Figure 9C), and the circuit contact portion 352 (Figure 9D). The mating conductors 318 may have a thickness T_3 (Figure 9B) at the engagement portion 327, a thickness T_4 (Figure 9C) at the coupling region 338 (or bridge portion 356), and a thickness T_5 (Figure 9D) at the circuit contact portion 352. The thickness T_4 is greater along the coupling region 338 than the thicknesses T_3 and T_5 . As shown, the thickness T_3 is less than the width W_3 at the engagement portion 327, and the thickness T_5 is less than the width W_3 at the circuit contact portion 352. However, the thickness T_4 is greater than the width W_3 at the bridge portion 356.

[0074] Similar to the coupling regions 138 (Figure 8A), the coupling regions 338 of the mating conductors 318 may have an increased surface area SA along the sides 354 with respect to other portions of the mating conductor 318. For example, a surface area SA_4 along the sides 354 of the bridge portions 356 is greater than a surface area SA_3 along the sides 354 of the bridge portions 356 and greater than a surface area SA_5 along the sides 354 of the circuit contact portions 352. The surface area SA_4 may be sized and shaped for a desired amount of crosstalk coupling. As such, the coupling regions 338 may be positioned a distance away or spaced apart from the printed circuit 332.

[0075] Figure 10 is a perspective view of a printed circuit 438 and an array 417 of circuit contacts 419 that are mechanically and electrically engaged to the printed circuit 438. The printed circuit 438 and the array 417 may be components of a

contact sub-assembly (not shown) that may be incorporated into an electrical connector, such as the connector 100 (Figure 1). The circuit contacts 419 may be separate or discrete with respect to mating contacts (not shown) that electrically and mechanically engage the circuit contacts 419. As used herein, the term "mating conductor" includes unitary mating conductors, such as the mating conductors 118 (Figures 8A-8C) and 318 (Figures 9A-9D), as well as mating conductors that are formed by separate circuit contacts 419 and mating contacts that are mechanically and electrically engaged to each other. Such embodiments that include circuit contacts 419 are described in greater detail in U.S. Patent Application No. 12/547,321 having Attorney Docket No. TO-00272 (958-184), filed contemporaneously herewith and incorporated by reference in the entirety.

[0076] As shown in Figure 10, each circuit contact 419 may have a beam 440 or 441 that extends along a surface S_3 of a substrate 442 of the printed circuit 438. The beams 440 and 441 extend directly alongside the surface S_3 . Each circuit contact 419 may include a mating contact engagement portion 444 having a slot 446 defined by opposing arms 448 and 450. The engagement portion 444 extends away from the surface S_3 toward a mating end (not shown) of the connector. The engagement portion 444 is configured to receive and hold an end of a corresponding mating contact (not shown) within the slot 446 to electrically and mechanically engage the circuit contact 419 to the mating contact. Furthermore, each circuit contact 419 includes an end portion 452 that is inserted into a conductor via 454 of the substrate 442. The end portion 452 may be, for example, an eye-of-needle type pin that mechanically and electrically engages the corresponding circuit contact 419 to the printed circuit 438. Optionally, each circuit contact 419 may include an extension 460 and a gripping element 462 that extend away from the surface S_3 toward the mating end. The extension 460 and the gripping element 462 may be spaced apart from each other so that a thickness of a circuit board (not shown) may be held therebetween. In some embodiments, the gripping element 462 may be configured to engage contact pads on an underside of the circuit board. The extension 460 may be configured to engage other components of the connector. Such embodiments are described in U.S. Patent Applications 12/547,321 and 12/547,245 having Attorney

Docket Nos. TO-00272 (958-184) and TO-00295 (958-190) respectively, which are incorporated by reference in the entirety. Furthermore, the extensions 460 and gripping elements 462 of adjacent circuit contacts 419 may be configured to capacitively couple to each other to generate crosstalk coupling.

[0077] The circuit contacts 419 of the array 417 may extend parallel to and be spaced apart from each other. More specifically, two adjacent circuit contacts 419 may be separated from each other by a uniform spacing S_4 . In Figure 10, the circuit contacts 419 are evenly distributed or spaced apart from each other along the surface S_3 of the substrate 442. However, in alternative embodiments, the circuit contacts 419 may not be evenly distributed. The circuit contacts 419 may also extend parallel to the surface S_3 .

[0078] Similar to the mating conductors 118 and 318, the circuit contacts 419 may include coupling regions that are configured to electromagnetically couple to coupling regions on other circuit contacts 419. In the exemplary embodiment, an entirety of the circuit contact 419 may be considered a coupling region since the circuit contacts 419 may have greater dimensions than the mating contacts. More specifically, sides of the circuit contacts 419 that face each other may have a greater surface area than sides of the mating contacts that face each other in the interior chamber (not shown). Furthermore, in some embodiments, the circuit contacts 419 may have varying cross-sections therealong to generate a desired crosstalk coupling similar to the embodiments described above. For example, the circuit contacts 419 may have cross-sections CB_3 and CA_3 as shown in Figure 10 in which the circuit contacts 419 at the cross-sections CA_3 have a greater surface area than a surface area of the circuit contacts 419 at the cross-sections CB_3 .

[0079] Figure 11 is a front elevation view of the circuit contacts 419 extending alongside the surface S_3 of the printed circuit 438. The printed circuit 438 may have the same configuration of vias as the printed circuit 132 shown in Figures 5 and 6. Although the following description is with specific reference to the circuit contacts 419, the circuit contact portions 252 and 352 may have similar features.

[0080] In some embodiments, a time delay between adjacent circuit contacts 419 (or circuit contact portions) may be formed to create a phase imbalance and to improve the electrical performance of the connector 100 (Figure 1). For example, the imbalance may be used to improve return loss and/or generate a desired amount of crosstalk coupling. As current is transmitted through a connector that includes the array 417 of circuit contacts 419, the differential signals of the differential pairs P1-P4 (Figure 3) may be phase matched φ_0 at a location where a reference plane P_{REF} intersects each circuit contact 419. Each circuit contact 419 forms an interconnection path or conductive pathway that extends a predetermined length LC from the reference plane P_{REF} . The conductive pathways may extend parallel to the surface S_3 and with respect to each other. The predetermined length LC may be different for each circuit contact 419 and represents a length that current must flow along the corresponding conductive pathway between the reference plane P_{REF} and a corresponding conductor via 454. The arrows extending from the reference plane P_{REF} indicate the conductive pathways through each circuit contact 419. In the illustrated embodiment, the conductive pathways extend parallel to each other and the surface S_3 . More specifically, the conductive pathways associated with the circuit contacts -3 and +6 may extend a length LC_1 and have a phase measurement φ_1 ; the conductive pathways associated with the circuit contacts +2, -5, and +8 may extend a length LC_3 and have a phase measurement φ_3 ; and the conductive pathways associated with the circuit contacts -1, +4, and -7 may extend a length LC_2 and have a phase measurement φ_2 .

[0081] Also shown, the circuit contacts -3 and +6 associated with the differential pair P2 extend a common length, the length LC_1 , and in a common direction away from the reference plane P_{REF} . However, the associated circuit contacts 419 of the differential pairs P1, P3, and P4 may extend in different (e.g., opposite) directions away from the reference plane P_{REF} and along different lengths. For example, the conductive pathways associated with the circuit contacts +2, -5, and +8 extend a greater length LC_3 than the length LC_2 of the conductive pathways of the associated circuit contacts -1, +4, and -7 respectively. As such, a phase imbalance may be created between the associated circuit contacts 419 of certain differential

pairs. The phase imbalance may be configured to improve return loss of the connector. Furthermore, the phase imbalance may be configured to generate a desired amount of crosstalk coupling.

[0082] In alternative embodiments, the circuit contacts 419 do not extend directly alongside the surface S_3 of the substrate 442, but may still create the phase imbalance between the conductive pathways. Furthermore, in other embodiments, the circuit contact portions 252 and 352 may form similar conductive pathways and create similar phase imbalances as described with respect to the circuit contacts 419.

[0083] Figure 12 is a back elevation view of the substrate 442 of the printed circuit 438. The substrate 442 may include a plurality of traces 481-488 that interconnect the conductor vias 454 and shielded vias 451 to corresponding terminal contacts 456. The traces 481-488 may be configured to offset phase imbalances due to the arrangement and configuration of the circuit contacts 439 as shown in Figure 11. More specifically, a length of the conductive pathways along the traces 481-488 may be configured to offset the phase imbalances. For example, the trace 481 may have a shorter conductive pathway than the trace 482; the trace 485 may have a shorter conductive pathway than the trace 484; and the trace 487 may have a shorter conductive pathway than the trace 488. However, in alternative embodiments, the traces 481-488 may have other configurations. Furthermore, the printed circuit 438 may include other components, such as non-ohmic plates or inter-digital fingers, that are configured to facilitate obtaining a desired electrical performance.

[0084] Exemplary embodiments are described and/or illustrated herein in detail. The embodiments are not limited to the specific embodiments described herein, but rather, components and/or steps of each embodiment may be utilized independently and separately from other components and/or steps described herein. Each component, and/or each step of one embodiment, can also be used in combination with other components and/or steps of other embodiments. For example, the coupling regions as described with respect to Figures 8-12 may or may not be used in conjunction with the arrangement of conductive and terminal vias as described with respect to Figures 5-7.

WHAT IS CLAIMED IS:

1. An electrical connector (100) comprising:

an array (117) of mating conductors (118) configured to engage select plug contacts (146) of a modular plug (145), the mating conductors (118) comprising differential pairs;

a plurality of terminal contacts (143) configured to electrically connect to select cable wires (122); and

a printed circuit (132) interconnecting the mating conductors (118) to the terminal contacts (143), the printed circuit (132) having opposite end portions (204, 206) and further comprising:

first and second shielding rows (230, 232) of conductor vias (139) located between the end portions (204, 206) and electrically connected to the mating conductors (118), the conductor vias (139) of each of the first and second shielding rows (230, 232) being substantially aligned along first and second row axes (240, 242), respectively, the first and second row axes (240, 242) being substantially parallel to each other;

outer terminal vias (141) electrically connected to the terminal contacts (143), each end portion (204, 206) having terminal vias (141) therein that are distributed in a direction along the first and second row axes (240, 242); and

a pair of shielded vias (151) electrically connected to corresponding mating conductors (118), the pair of shielded vias (151) being located between the first and second shielding rows (230, 232) and located along a central-pair axis (244) extending therebetween that extends substantially parallel to the first and second row axes (240, 242), wherein the conductor vias (139) of the first and second shielding

rows (230, 232) are located to electrically isolate the shielded vias (151) from the terminal vias (141).

2. The connector (100) in accordance with claim 1 wherein the conductor vias (139) include a differential pair of conductor vias (139), each conductor via (139) of the differential pair being substantially equidistant from at least one of the shielded vias (151), the at least one shielded via (151) forming a dual-polarity coupling with the conductor vias (139) of the differential pair.

3. The connector (100) in accordance with claim 2 wherein each of the first and second shielding rows (230, 232) includes one conductor via (139) of the differential pair.

4. The connector (100) in accordance with claim 2 wherein the differential pair of conductor vias (139) is a first differential pair, the conductor vias further comprising a second differential pair of conductor vias (139), wherein the at least one shielded via (151) forms a dual-polarity coupling with the conductor vias (139) of the first differential pair and also a dual-polarity coupling with the conductor vias (139) of the second differential pair.

5. The connector (100) in accordance with claim 2 wherein the differential pair of conductor vias (139) includes a first and second conductor vias (139), the first and second conductor vias (139) being located first and second distances away, respectively, from the at least one shielded via (151), a difference between the first and second distances being at most 30% of one of the first and second distances.

6. The connector (100) in accordance with claim 1 wherein at least one shielded via (151) is substantially equidistant from the first and second row axes (240, 242).

7. The connector (100) in accordance with claim 1 wherein the terminal vias (141) comprise a differential pair, the terminal vias (141) of the

differential pair being substantially equidistant from one of the conductor vias (139) of the first or second shielding row (230, 232).

8. The connector (100) in accordance with claim 1 wherein the shielded vias (151) are separated from each other by a distance that is less than shortest distances separating the shielded vias (151) from the first and second row axes (240, 242).

9. The connector (100) in accordance with claim 1 wherein the terminal vias (141) comprise differential pairs spaced apart from each other, the associated terminal vias (141) of the differential pairs being positioned adjacent to each other.

10. The connector (100) in accordance with claim 9 wherein the terminal vias (141) of each differential pair are intersected by a corresponding plane, the planes of each of the differential pairs facing a center of the printed circuit (132), each plane facing a different direction with respect to other planes.

11. The connector (100) in accordance with claim 10 wherein each plane faces one other plane across the center of the printed circuit (132).

12. The connector (100) in accordance with claim 1 wherein the pair of shielded vias (151) are electrically connected to a differential pair of mating conductors (118), the differential pair of mating conductors (118) being split by another differential pair of mating conductors (118).

13. The connector (100) in accordance with claim 1 wherein the mating conductors (118) comprise adjacent mating conductors (118) having respective coupling regions (138) that capacitively couple to each other, the coupling regions (138) being located proximate to the printed circuit (132), each coupling region (138) has a side that extends along the thickness and faces the side of the coupling region (138) of the adjacent mating conductor (118), wherein the thickness along each coupling region (138) is greater than the width.

14. An electrical connector (100) configured to electrically interconnect a modular plug (145) and cable wires (122), the connector comprising:

a connector body (101) having an interior chamber (108) configured to receive the modular plug (145);

a printed circuit (132) comprising a substrate (202) having conductor vias (139); and

an array of mating conductors (118) in the interior chamber (108) configured to engage select plug contacts (146) of the modular plug (145) along mating surfaces, the mating conductors (118) extending between the mating surfaces and corresponding conductor vias (139) of the printed circuit, the mating conductors (118) having a cross-section including a width and a thickness, the mating conductors (118) comprising adjacent mating conductors (118) having respective coupling regions (138) that capacitively couple to each other, each coupling region (138) having a side that extends along the thickness and faces the side of the coupling region (138) of the adjacent mating conductor (118), wherein the thickness along each coupling region (138) is greater than the width.

15. The connector (100) in accordance with claim 14 wherein the adjacent mating conductors (118) comprise separable circuit contacts coupled to the conductor vias (139) of the printed circuit (132), the circuit contacts extending substantially parallel to a surface of the printed circuit (132) and including the coupling regions (139).

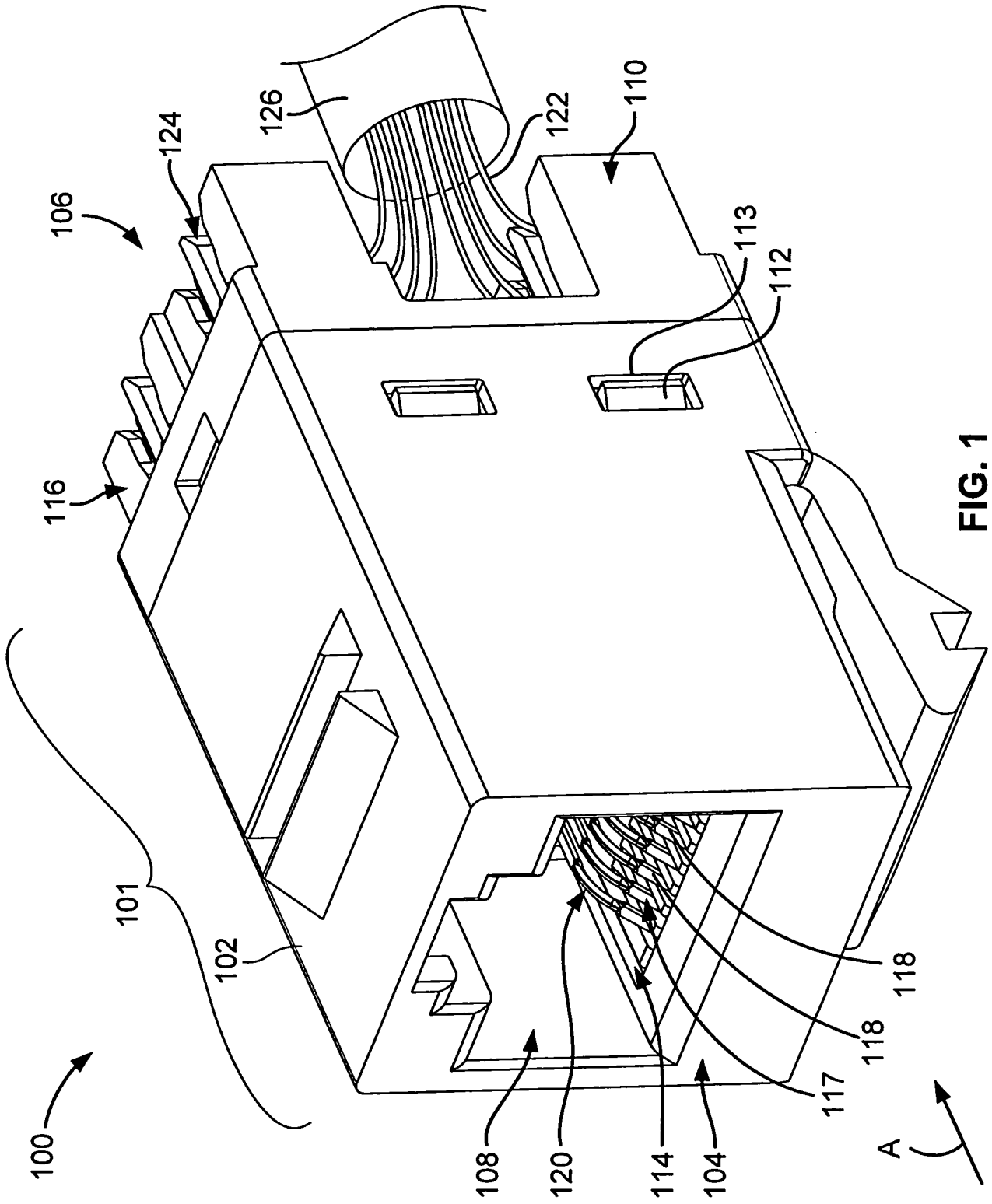


FIG. 1

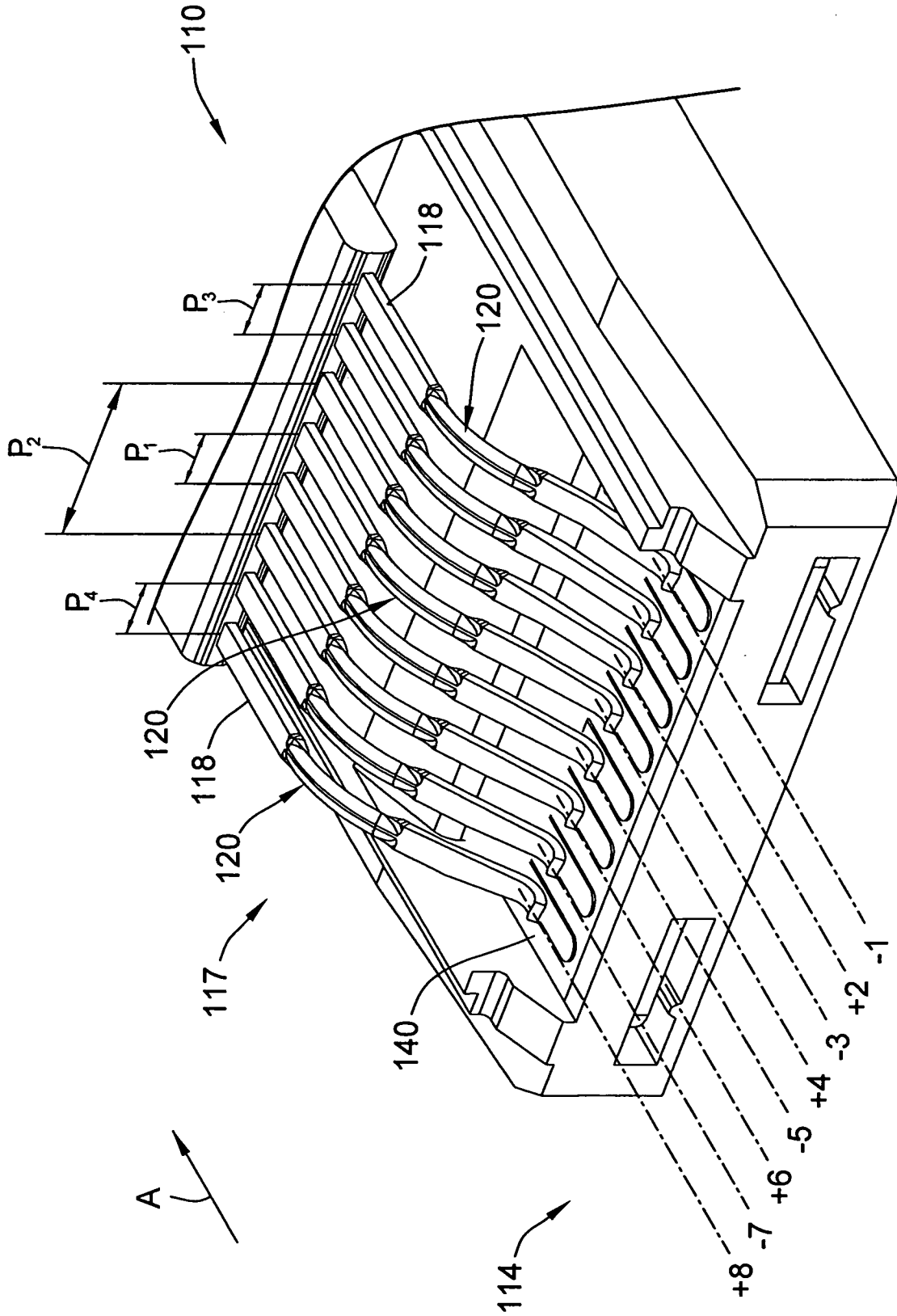


FIG. 3

5/14

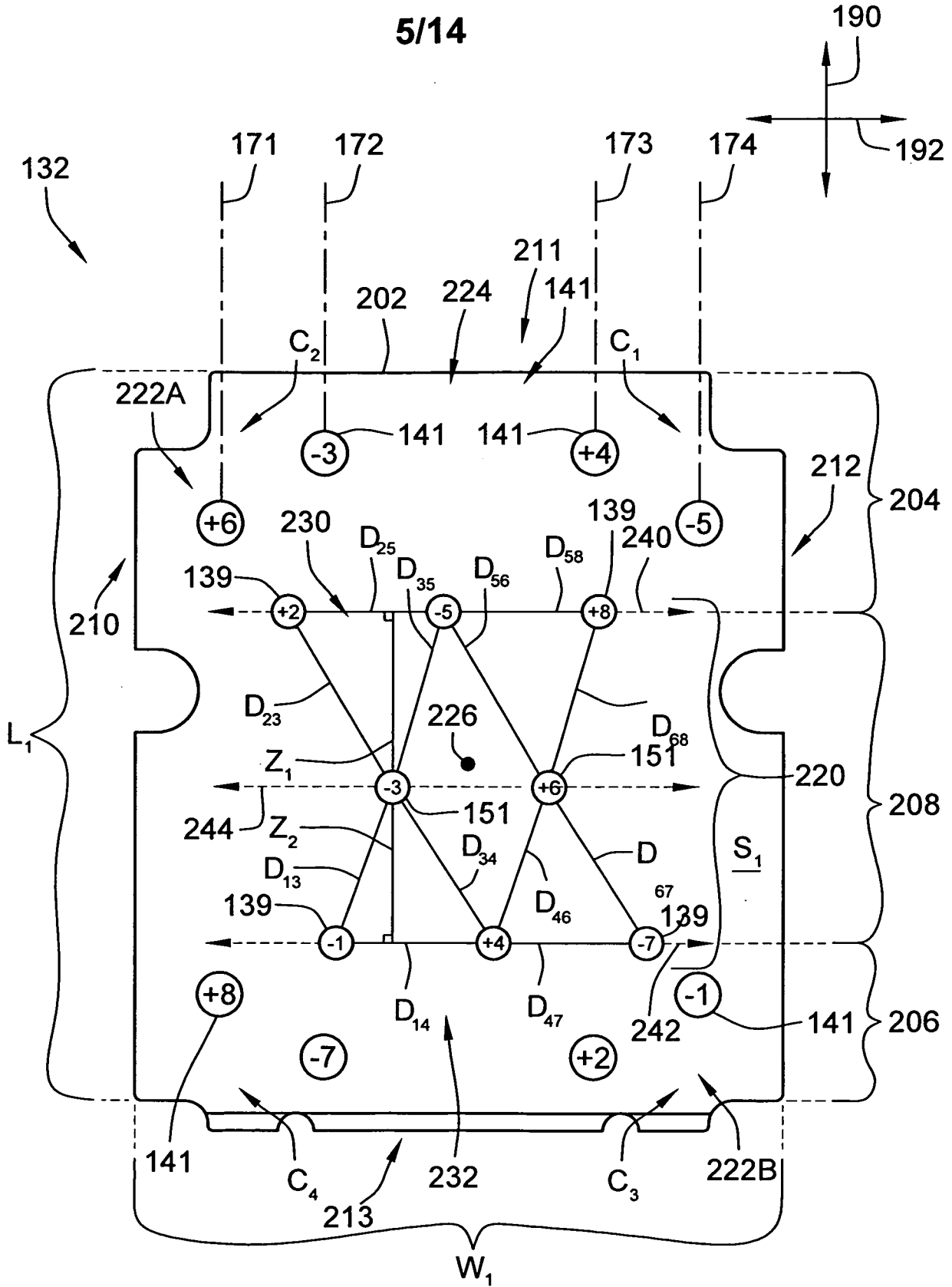


FIG. 5

6/14

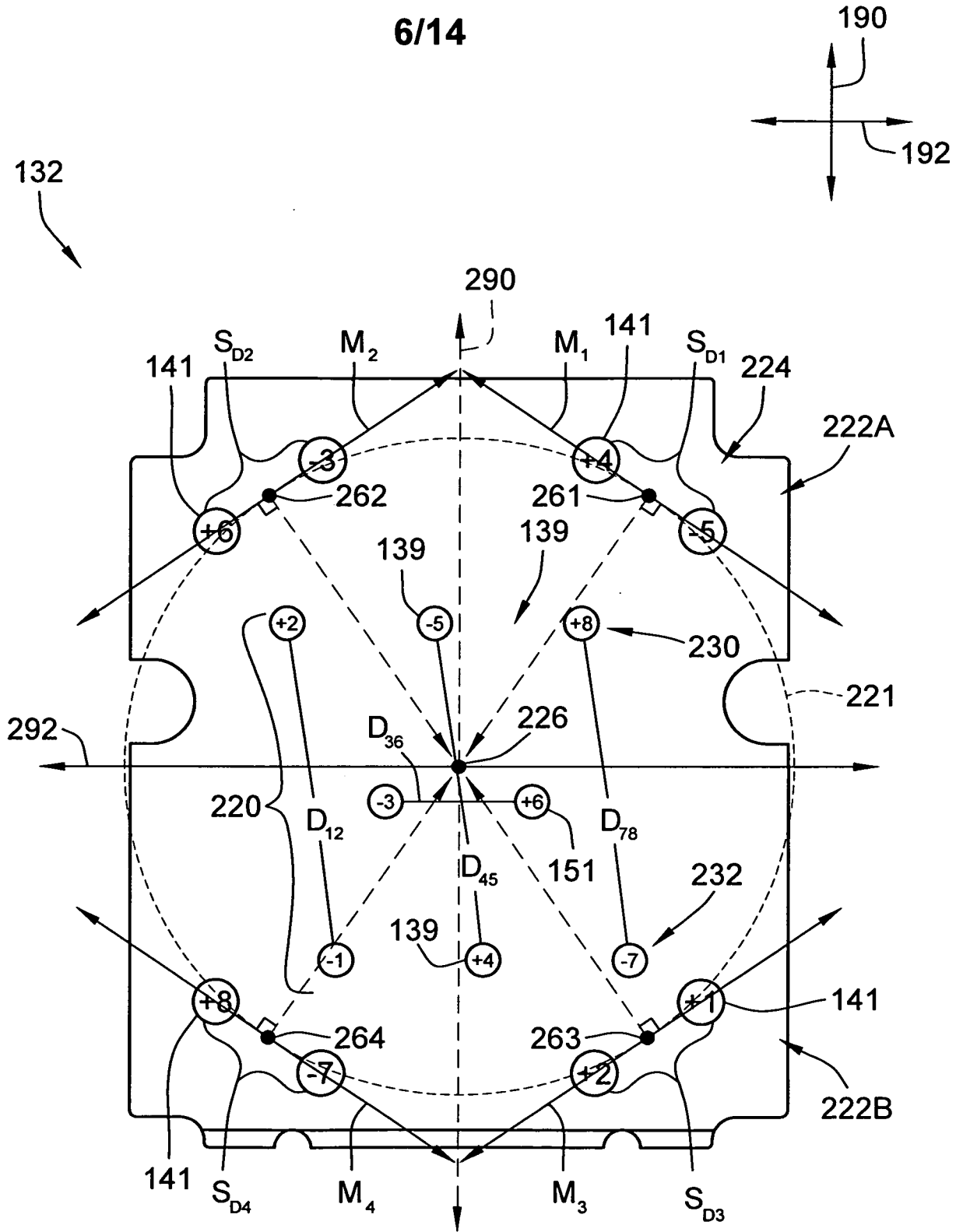


FIG. 6

7/14

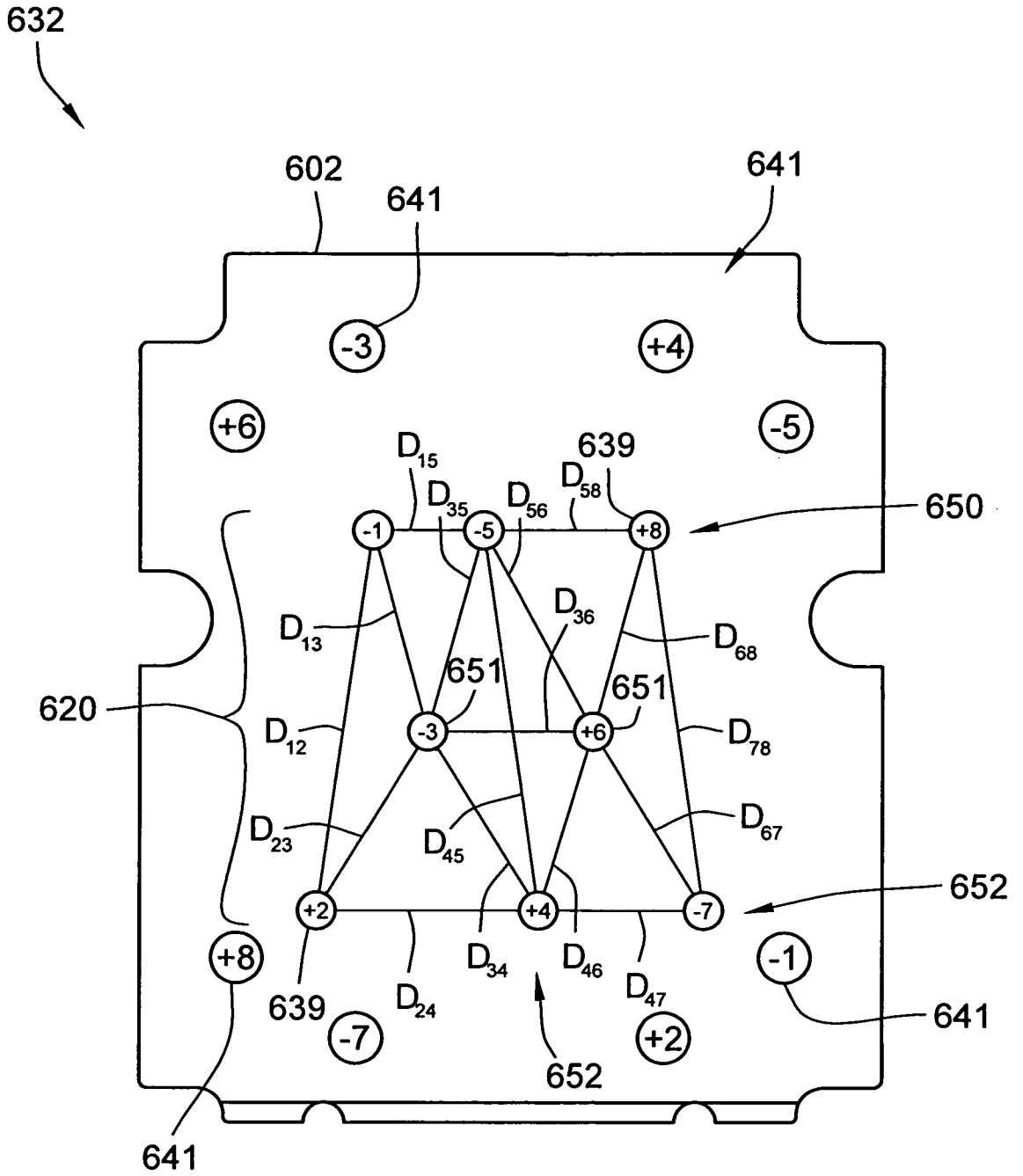


FIG. 7

8/14

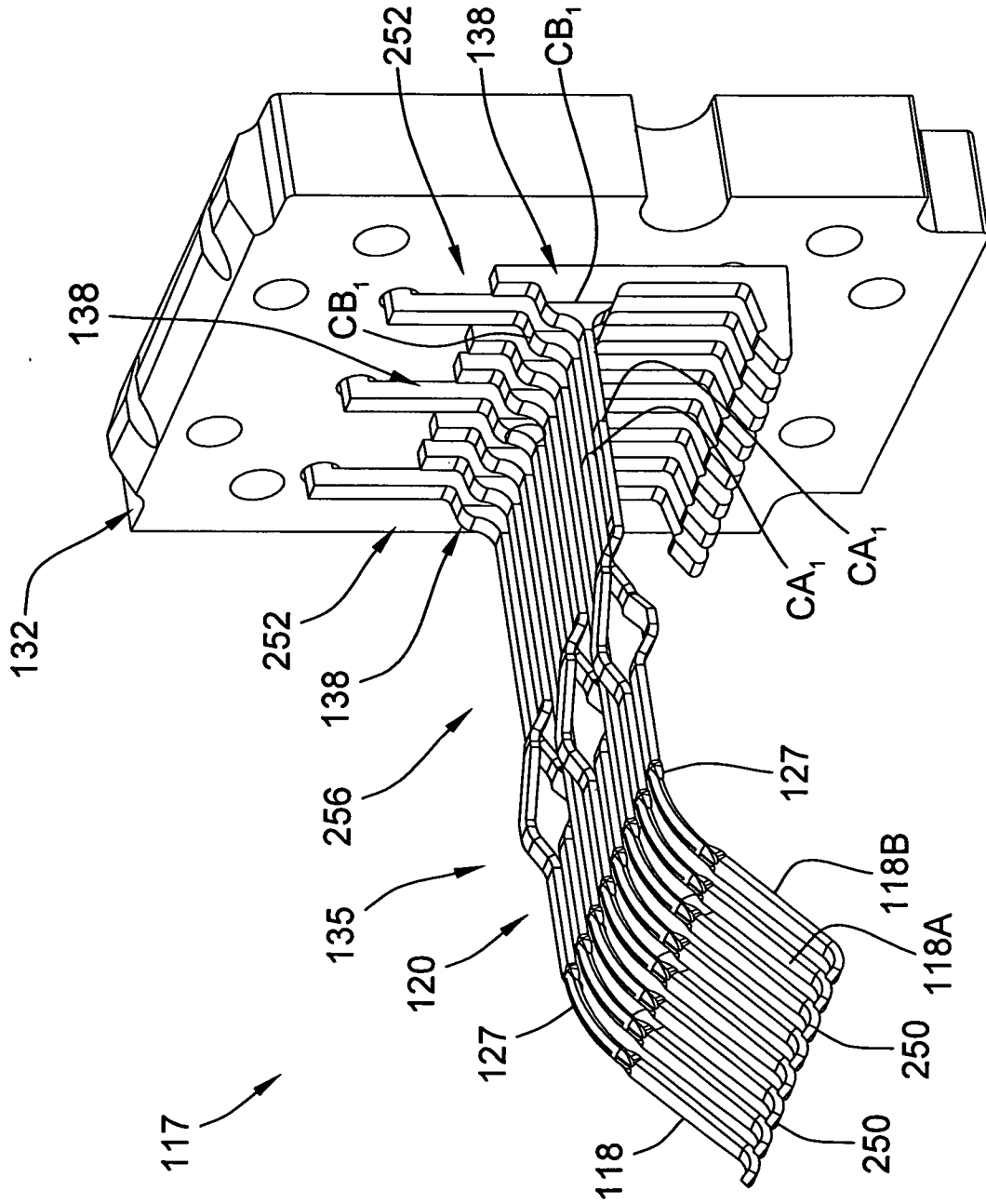


FIG. 8A

9/14

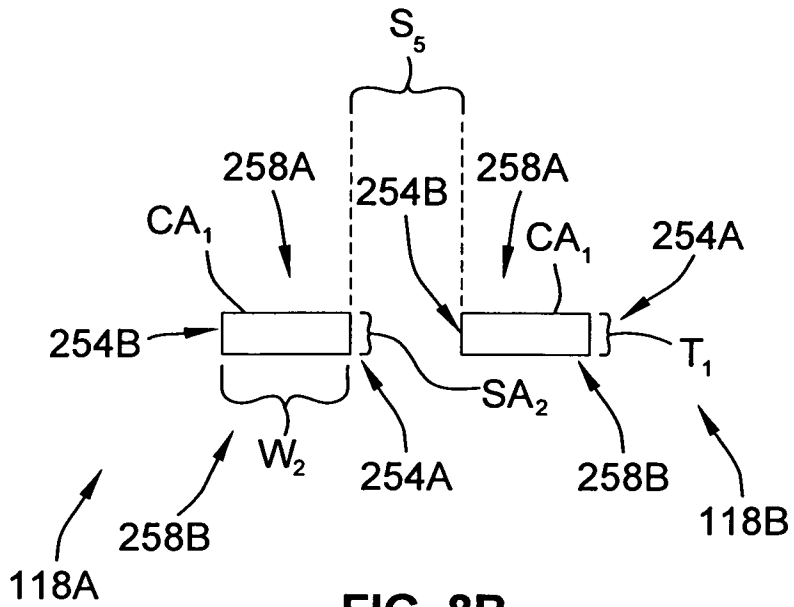


FIG. 8B

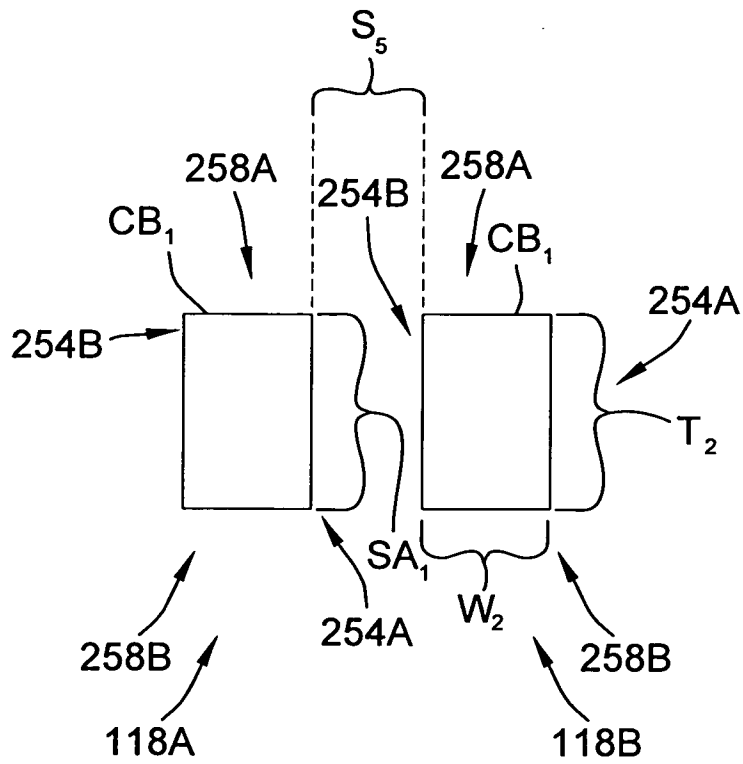


FIG. 8C

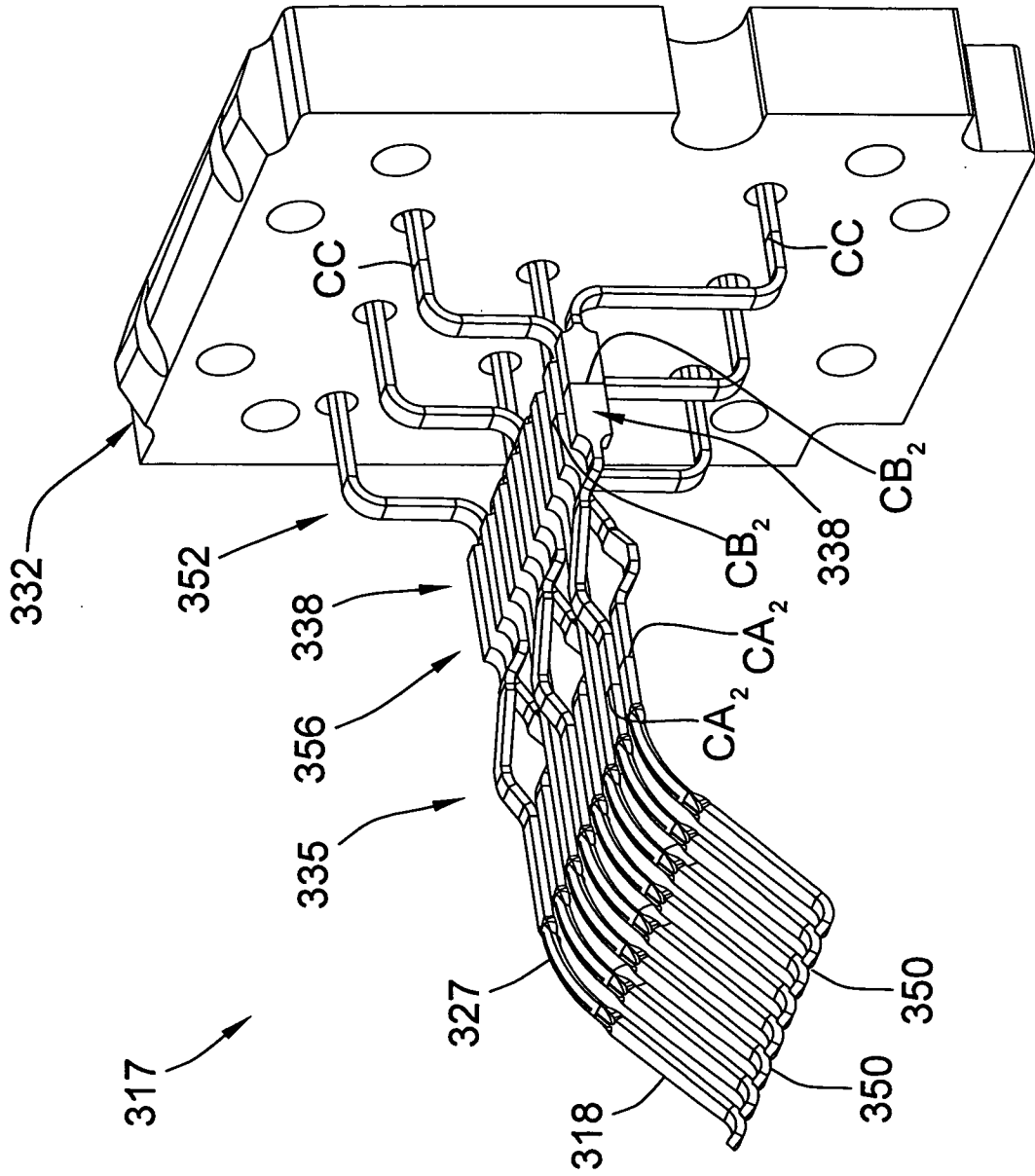


FIG. 9A

11/14

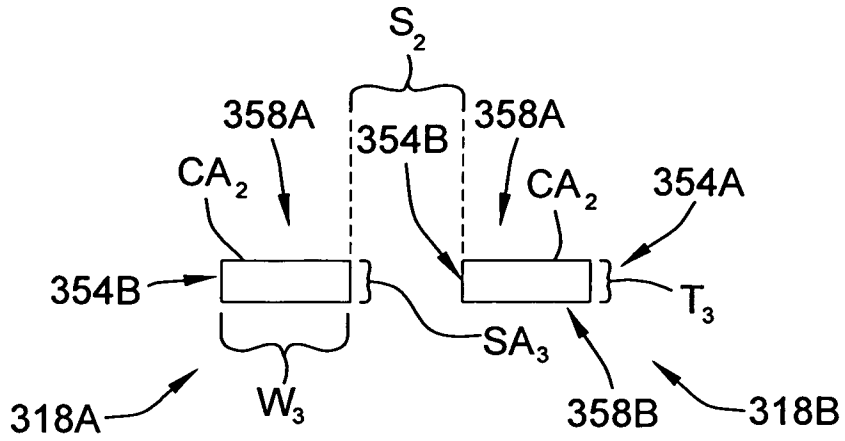


FIG. 9B

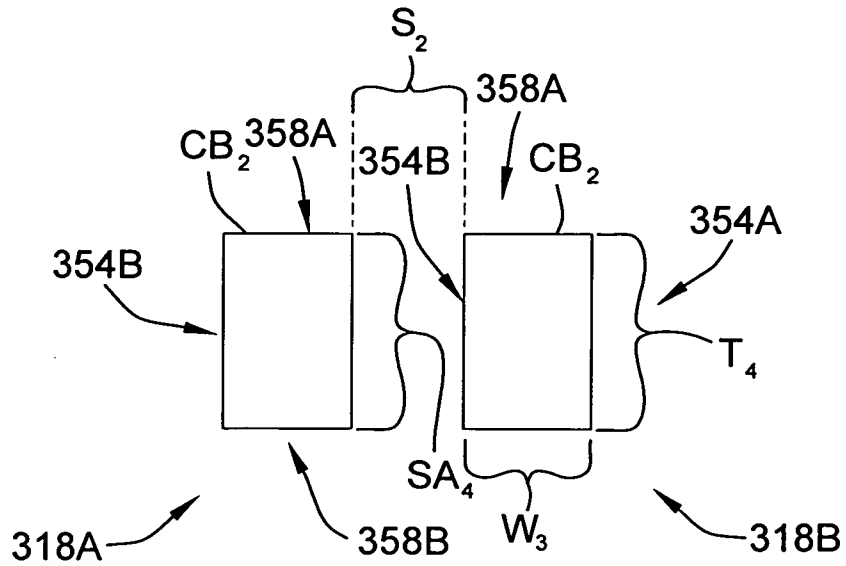


FIG. 9C

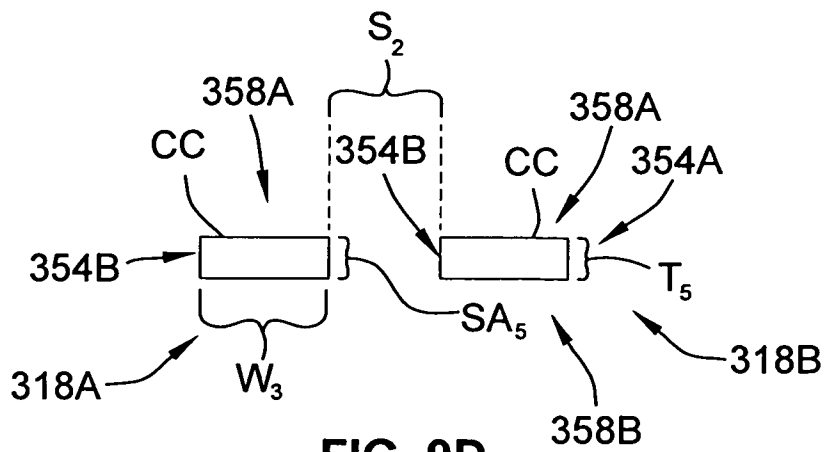


FIG. 9D

12/14

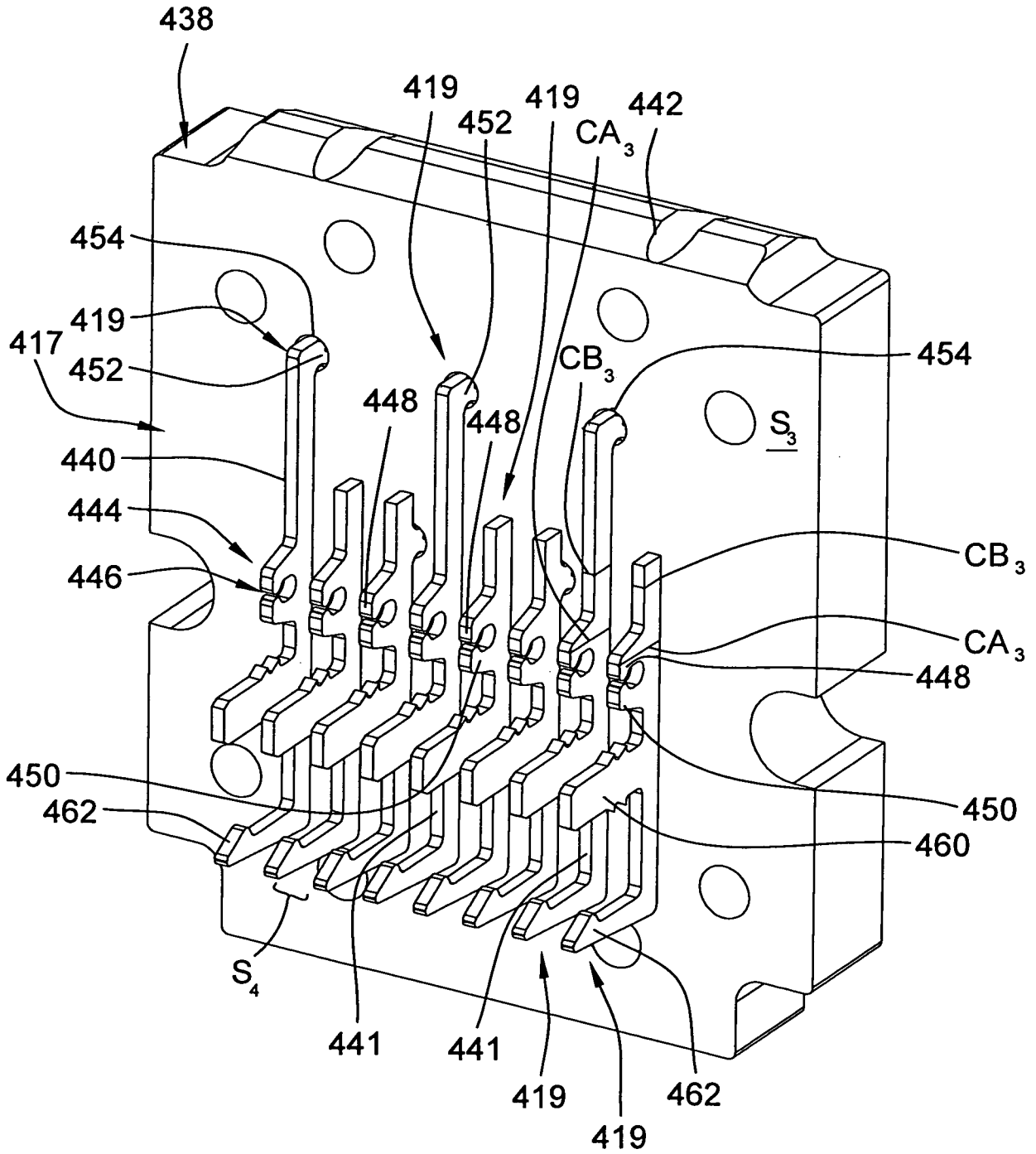


FIG. 10

438

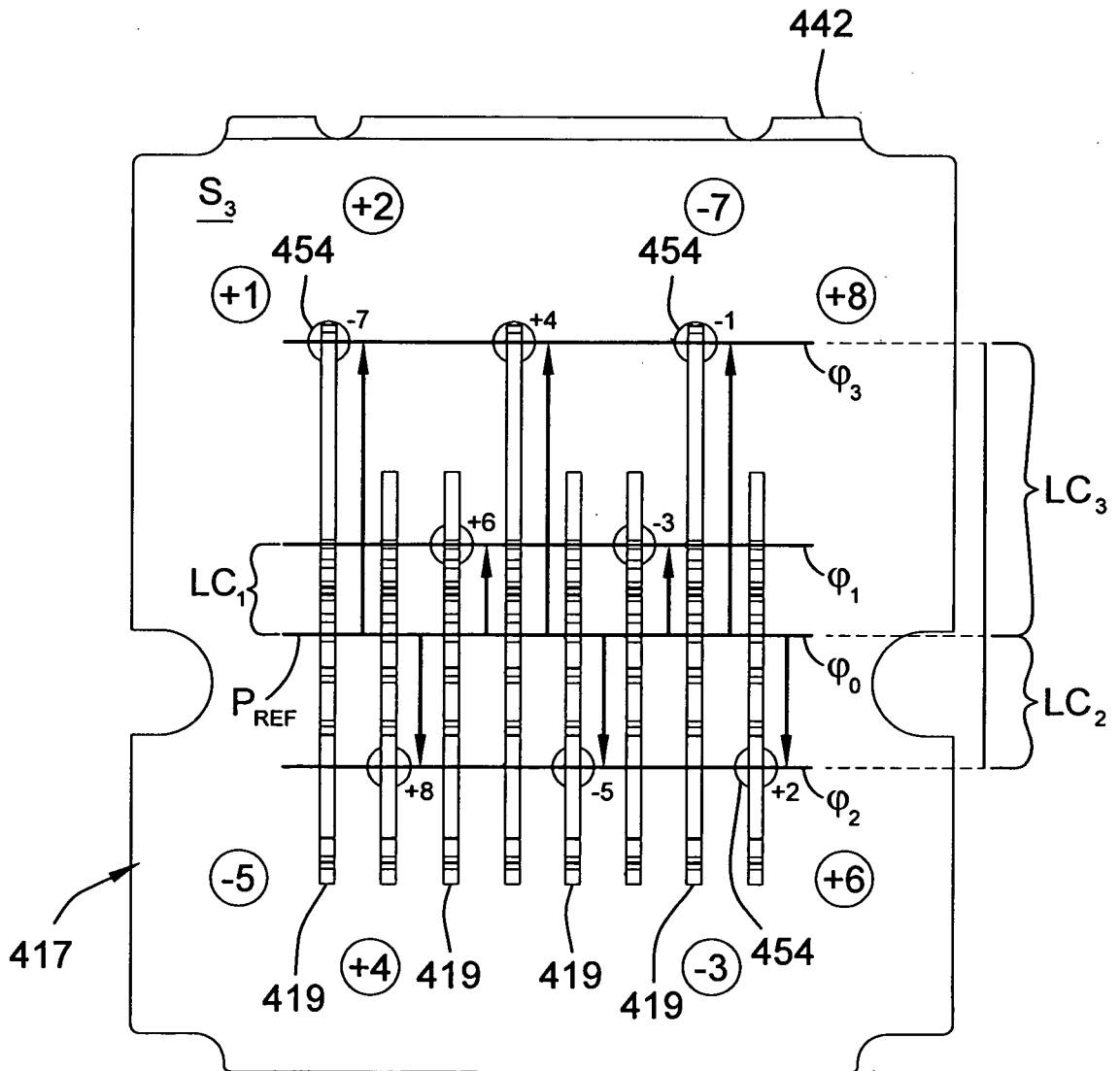


FIG. 11

438
↙

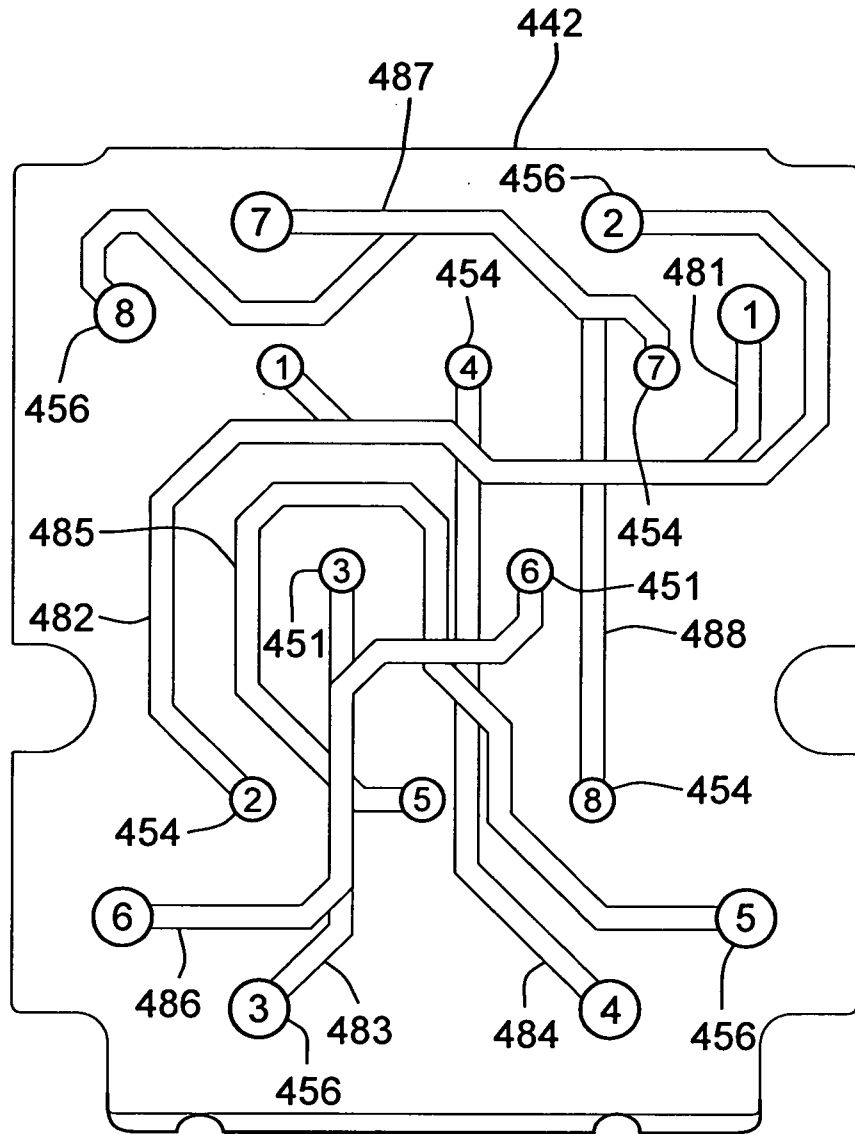


FIG. 12

INTERNATIONAL SEARCH REPORT

International application No
PCT/US2010/002279

A. CLASSIFICATION OF SUBJECT MATTER
INV. H01R13/66 H01R24/04

According to International Patent Classification (IPC) or to both national classification and IPC

B. FIELDS SEARCHED

Minimum documentation searched (classification system followed by classification symbols)
H01R

Documentation searched other than minimum documentation to the extent that such documents are included in the fields searched

Electronic data base consulted during the international search (name of data base and, where practical, search terms used)

EPO-Internal, WPI Data

C. DOCUMENTS CONSIDERED TO BE RELEVANT

Category*	Citation of document, with indication, where appropriate, of the relevant passages	Relevant to claim No.
X	US 2007/212946 A1 (BERT LINDA E [US] ET AL SHIELDS LINDA ELLEN [US] ET AL) 13 September 2007 (2007-09-13) the whole document	1-13
X	US 6 464 541 B1 (HASHIM AMID I [US] ET AL) 15 October 2002 (2002-10-15) the whole document	1-13
A	US 7 575 482 B1 (PEPE PAUL JOHN [US] ET AL) 18 August 2009 (2009-08-18) abstract column 4, line 6 - column 5, line 36 figures 1,4	1-13
	----- -/--	

Further documents are listed in the continuation of Box C.

See patent family annex.

* Special categories of cited documents :

- "A" document defining the general state of the art which is not considered to be of particular relevance
- "E" earlier document but published on or after the international filing date
- "L" document which may throw doubts on priority claim(s) or which is cited to establish the publication date of another citation or other special reason (as specified)
- "O" document referring to an oral disclosure, use, exhibition or other means
- "P" document published prior to the international filing date but later than the priority date claimed

- "T" later document published after the international filing date or priority date and not in conflict with the application but cited to understand the principle or theory underlying the invention
- "X" document of particular relevance; the claimed invention cannot be considered novel or cannot be considered to involve an inventive step when the document is taken alone
- "Y" document of particular relevance; the claimed invention cannot be considered to involve an inventive step when the document is combined with one or more other such documents, such combination being obvious to a person skilled in the art.
- "&" document member of the same patent family

Date of the actual completion of the international search

28 October 2010

Date of mailing of the international search report

23/12/2010

Name and mailing address of the ISA/
European Patent Office, P.B. 5818 Patentlaan 2
NL - 2280 HV Rijswijk
Tel. (+31-70) 340-2040,
Fax: (+31-70) 340-3016

Authorized officer

Chelbosu, Liviu

INTERNATIONAL SEARCH REPORT

International application No PCT/US2010/002279

C(Continuation). DOCUMENTS CONSIDERED TO BE RELEVANT

Category*	Citation of document, with indication, where appropriate, of the relevant passages	Relevant to claim No.
A	US 2006/134992 A1 (GREEN MICHEAL P [US] ET AL GREEN MICHAEL PATRICK [US] ET AL) 22 June 2006 (2006-06-22) the whole document -----	1-13
A	GB 2 438 746 A (JYH ENG TECHNOLOGY CO LTD [TW]) 5 December 2007 (2007-12-05) the whole document -----	1-13

INTERNATIONAL SEARCH REPORT

Information on patent family members

International application No

PCT/US2010/002279

Patent document cited in search report	Publication date	Patent family member(s)	Publication date
US 2007212946	A1	13-09-2007	AR 059827 A1 30-04-2008
			AU 2007225240 A1 20-09-2007
			CA 2646025 A1 20-09-2007
			CN 101438468 A 20-05-2009
			EP 1997195 A1 03-12-2008
			JP 2009529764 T 20-08-2009
			KR 20080103577 A 27-11-2008
			WO 2007106409 A1 20-09-2007
<hr/>			
US 6464541	B1	15-10-2002	NONE
<hr/>			
US 7575482	B1	18-08-2009	AR 071591 A1 30-06-2010
			WO 2009131641 A1 29-10-2009
<hr/>			
US 2006134992	A1	22-06-2006	AR 051724 A1 31-01-2007
			AT 395736 T 15-05-2008
			BR P10518956 A2 16-12-2008
			CA 2591349 A1 29-06-2006
			CN 101084612 A 05-12-2007
			EP 1829168 A2 05-09-2007
			ES 2306284 T3 01-11-2008
			JP 2008524828 T 10-07-2008
			KR 20070086436 A 27-08-2007
			WO 2006068974 A2 29-06-2006
			<hr/>
GB 2438746	A	05-12-2007	TW 301448 Y 21-11-2006
			US 2007281502 A1 06-12-2007
<hr/>			

INTERNATIONAL SEARCH REPORT

International application No.
PCT/US2010/002279

Box No. II Observations where certain claims were found unsearchable (Continuation of item 2 of first sheet)

This international search report has not been established in respect of certain claims under Article 17(2)(a) for the following reasons:

1. Claims Nos.:
because they relate to subject matter not required to be searched by this Authority, namely:

2. Claims Nos.:
because they relate to parts of the international application that do not comply with the prescribed requirements to such an extent that no meaningful international search can be carried out, specifically:

3. Claims Nos.:
because they are dependent claims and are not drafted in accordance with the second and third sentences of Rule 6.4(a).

Box No. III Observations where unity of invention is lacking (Continuation of item 3 of first sheet)

This International Searching Authority found multiple inventions in this international application, as follows:

see additional sheet

1. As all required additional search fees were timely paid by the applicant, this international search report covers all searchable claims.

2. As all searchable claims could be searched without effort justifying an additional fees, this Authority did not invite payment of additional fees.

3. As only some of the required additional search fees were timely paid by the applicant, this international search report covers only those claims for which fees were paid, specifically claims Nos.:

4. No required additional search fees were timely paid by the applicant. Consequently, this international search report is restricted to the invention first mentioned in the claims; it is covered by claims Nos.:

1-12(completely); 13(partially)

Remark on Protest

- The additional search fees were accompanied by the applicant's protest and, where applicable, the payment of a protest fee.
- The additional search fees were accompanied by the applicant's protest but the applicable protest fee was not paid within the time limit specified in the invitation.
- No protest accompanied the payment of additional search fees.

FURTHER INFORMATION CONTINUED FROM PCT/ISA/ 210

This International Searching Authority found multiple (groups of) inventions in this international application, as follows:

1. claims: 1-12(completely); 13(partially)

Arrangement of the connecting vias provided through the printed circuit of an electrical connector

2. claims: 14, 15(completely); 13(partially)

Configuration of the mating conductors of an electrical connector
